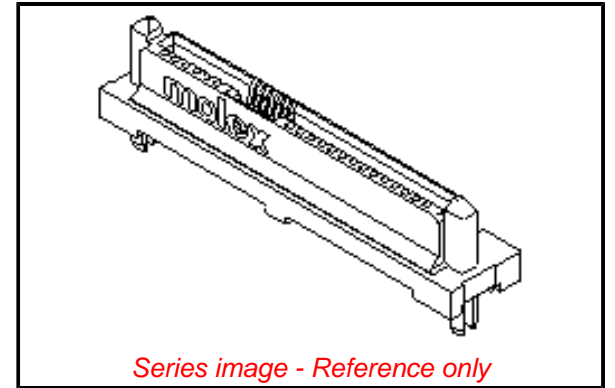


PLEASE CHECK WWW.MOLEX.COM FOR LATEST PART INFORMATION

Part Number: [0878240015](#)
Status: **Active**
Overview: Serial Attached SCSI (SAS) Connectors
Description: 1.27mm Signal Pitch, 0.80mm SCSI Pitch, 1.27mm Power Pitch SAS-2 Receptacle, Vertical, Surface Mount, with Surface Mount Solder Tab, 2.54mm PCB Thickness, 29 Circuits, with Cap, Embossed Tape on Reel, Lead-Free

Documents:

3D Model	Product Specification PS-87824-029-001 (PDF)
Drawing (PDF)	Packaging Specification PK-87824-001 (PDF)
3D Model (PDF)	RoHS Certificate of Compliance (PDF)



Agency Certification

CSA	LR19980
UL	E29179

General

Product Family	I/O Connectors
Series	87824
Application	Board-to-Board
Comments	With Pick-and-Place Cap
Component Type	Receptacle
Electrical Model	Yes
Overview	Serial Attached SCSI (SAS) Connectors
Product Name	SAS 6G, SAS-2
Type	N/A
UPC	800756687339

Physical

Boot Color	N/A
Circuits (Loaded)	29
Circuits (maximum)	29
Circuits Detail	Signal 14, Power 15
Color - Resin	Black
Durability (mating cycles max)	500
Flammability	94V-0
Gender	Female
Keying to Mating Part	Yes
Lock to Mating Part	None
Material - Metal	Brass, Phosphor Bronze
Material - Plating Mating	Gold
Material - Plating Termination	Tin
Material - Resin	High Temperature Thermoplastic
Net Weight	2.446/g
Number of Rows	2
Orientation	Vertical
PCB Locator	Yes
PCB Retention	Yes
PCB Thickness - Recommended	2.54mm
Packaging Type	Embossed Tape on Reel
Panel Mount	Yes
Pitch - Mating Interface	0.80mm, 1.27mm
Pitch - Termination Interface	0.80mm, 1.27mm
Plating min - Mating	0.762µm
Plating min - Termination	2.540µm
Polarized to Mating Part	Yes
Polarized to PCB	Yes

EU ELV

Not Relevant

EU RoHS

Compliant

REACH SVHC

Contained Per -
D(2020)4578-DC (25
June 2020)
Octanoic acid,
2,2,3,3,4,4,5,5,6,6,7,7,8,8,8-
pen
decamethylcyclotrisiloxane
disodium 3,3'-[[1,1'-
biphenyl]-4,4'-
diylbis(azo)
1,2-
Benzenedicarboxylic
acid, bis(3-
methylbutyl)
1,2-diethoxyethane
dibutyltin dichloride
1,3-propanesultone
Ammonium-
pentadecafluorooctanoate
2-ethylhexyl 10-
ethyl-4,4-dioctyl-7-
oxo-8-oxa-3,
2-(2H-benzotriazol-2-
yl)-4-(tert-butyl)-6-
(sec-b
1,2-
Benzenedicarboxylic
acid, dihexyl ester,
bra
diisohexyl phthalate
1,2-
Benzenedicarboxylic
acid, dipentyl ester, br
n-pentyl-
isopentylphthalate
Boric acid
Nonadecafluorodecanoic
acid (PFDA) and its
sodiu

China RoHS

Surface Mount Compatible (SMC) Yes
Temperature Range - Operating 0° to +55°C
Termination Interface: Style Surface Mount
Waterproof / Dustproof No
Wire Size AWG N/A

Electrical

Current - Maximum per Contact 1.5A
Shielded No
Voltage - Maximum 30V

Solder Process Data

Duration at Max. Process Temperature (seconds) 010
Lead-free Process Capability REFLOW
Max. Cycles at Max. Process Temperature 001
Process Temperature max. C 260

Material Info

Reference - Drawing Numbers

Electrical Model Document EE-78012-002, EE-78164-001, EE-78695-002,
EE-87824-002, EE-87824-003
Packaging Specification PK-87824-001
Product Specification PS-87824-029-001
S-Parameter Model SP-78012-002, SP-78164-001, SP-87824-003
Sales Drawing SD-87824-031

Tris(4-nonylphenyl, branched and linear) phosphi
Perfluorobutane sulfonic acid (PFBS) and its sal
Pyrene
Dodecachloropentacyclo[12.2.1.16,9.02,13.05,10]o
Perfluorononan-1-oic acid
(2,2,3,3,4,4,5,5,6,6,7 Methylhexahydrophthalic anhydride
reaction mass of 2-ethylhexyl 10-ethyl-4,4-dioct
Perfluorohexane-1-sulphonic acid and its salts
Lead sulfochromate yellow
Strontium-chromate bis(2-methoxyethyl) ether
pentazinc chromate octahydroxide
1,2-dimethoxyethane
1,2-bis(2-methoxyethoxy)ethane
bis(pentabromophenyl) ether
cadmium oxide (non-pyrophoric)
cadmium sulphide
orange lead
lead
cadmium
lead dinitrate
lead oxide sulfate
pentalead tetraoxide
sulphate
dioxobis(stearato)trilead
Lead titanium
zirconium oxide
lead cyanamidate
Sulfurous acid, lead salt, dibasic
[phthalato(2-)]dioxotrilead
benzo[a]pyrene
4-aminoazobenzene
dihexyl phthalate (DnHP)
ethylene thiourea
Dipentyl phthalate

Halogen-Free

Status

Low-Halogen

For more information, please visit [Contact US](#)

China ROHS	Green Image
ELV	Not Relevant
RoHS Phthalates	Not Contained

[Search Parts in this Series](#)

87824 Series

Mates With

SFF-8482 Hard Disk Drive and Backplane Plug. [87679](#) Serial ATA Device Plug with Latch. [87703](#) Serial ATA Device Plug without Jumper. [87799](#) Serial ATA Device Plug with Jumper

This document was generated on 03/02/2021

PLEASE CHECK WWW.MOLEX.COM FOR LATEST PART INFORMATION