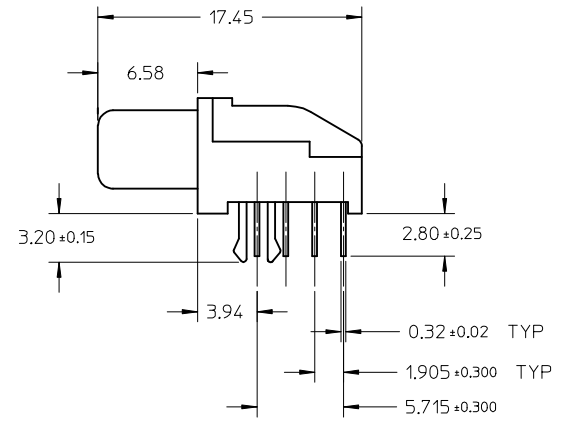
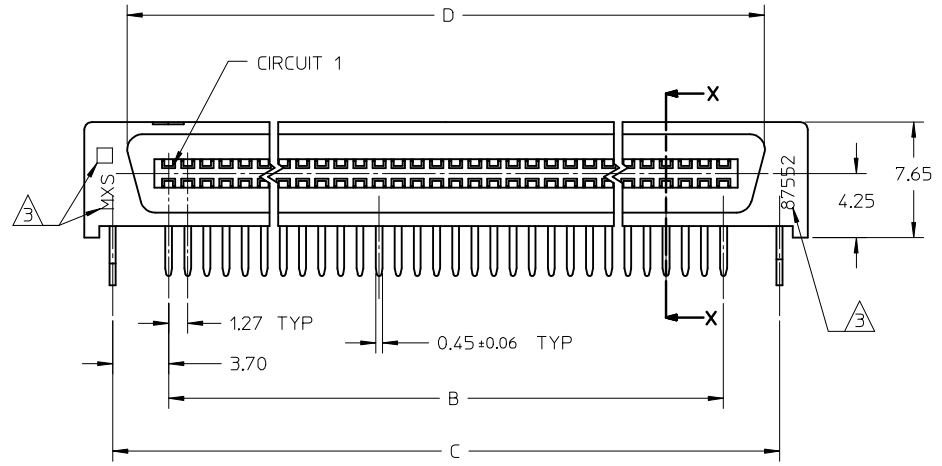
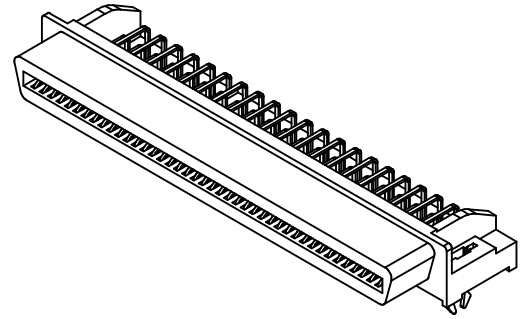
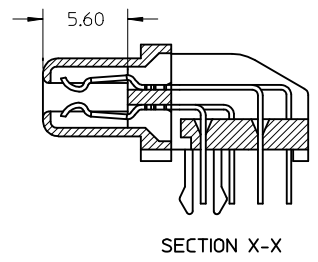
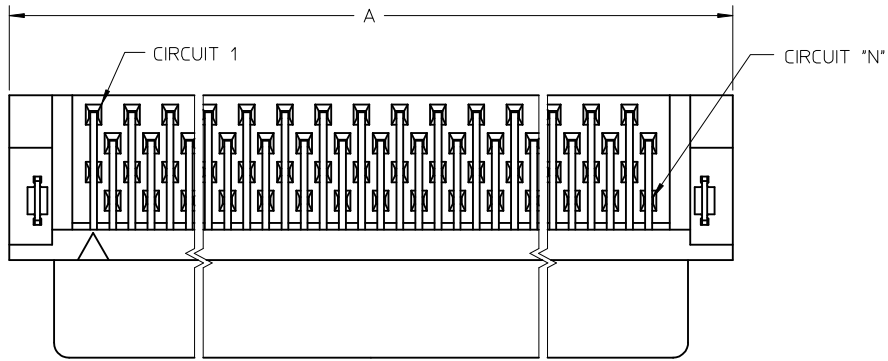
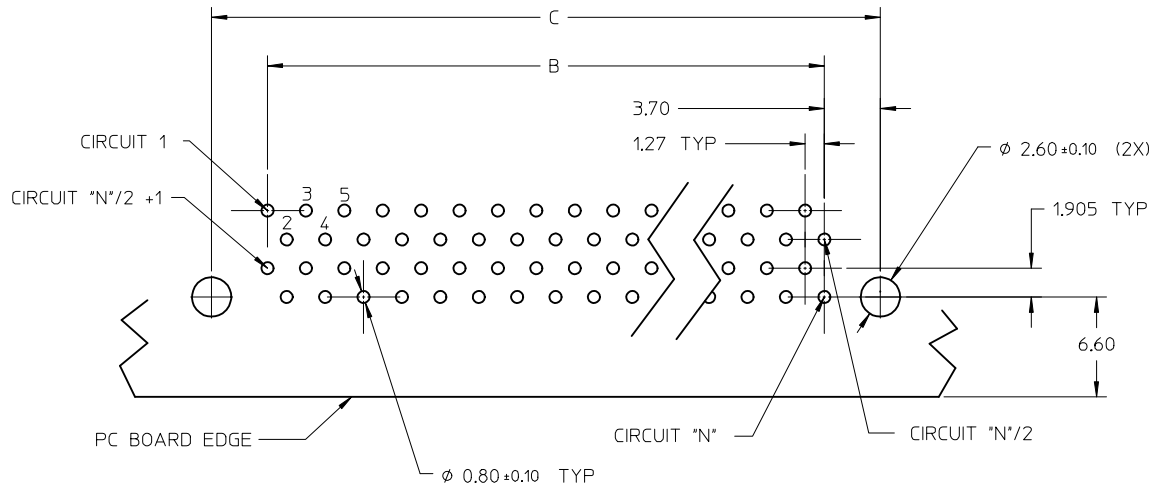


ASSEMBLY P/N	CKT SIZE	A	B	C	D
87552-1580	80	60.75	49.53	56.93	55.07



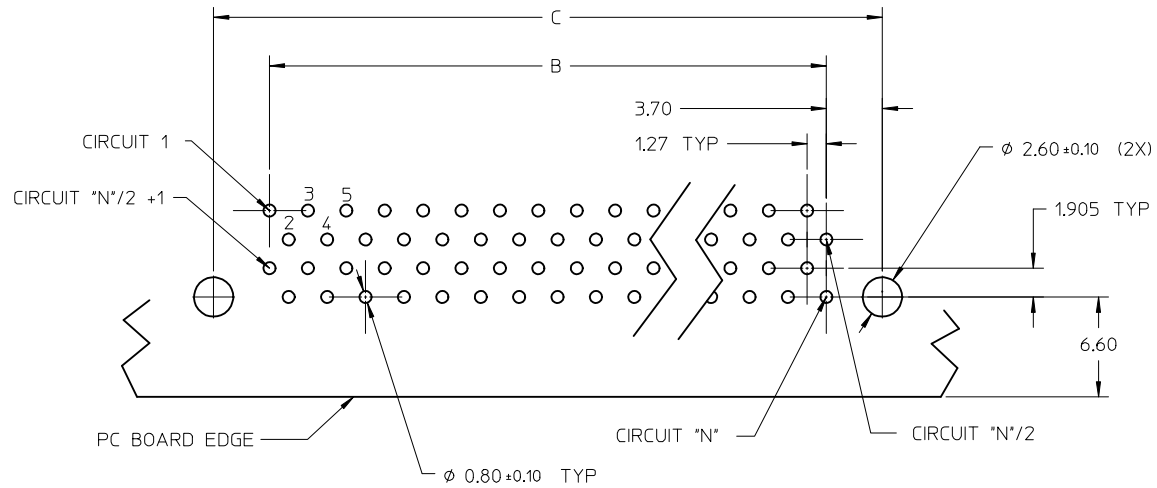
- NOTES:
- MATERIAL:
HOUSING : HIGH TEMPERATURE THERMOPLASTIC, UL 94-V0
TERMINAL AND FOCKLOCK : COPPER ALLOY
 - PLATING:
TERMINAL: 0.38µM MIN. GOLD ON CONTACT AREA AND
2.54µM MIN. TIN ON SOLDER TAIL AREA,
BOTH OVER 1.27µM MIN. NICKEL.
FORKLOCK: 2.54µM MIN TIN OVER 1.25µM MIN. NICKEL.
- △ MOLEX LOGO, CAVITY AND PART NUMBER LOCATED APPROXIMATELY AS SHOWN
- ASSEMBLY MATES WITH MOLEX P/N 71661-****.
 - RECOMMENDED PCB THICKNESS IS 1.60MM.
 - PRODUCT SPECIFICATION PS-87552-006 APPLIES

REVISED EC NO: S2007-1023 DRWN:SKANG CHKD:ATSEE APPR:MLONG 2007/05/23 2007/05/23 2007/05/23	QUALITY SYMBOLS	GENERAL TOLERANCES (UNLESS SPECIFIED)	DIMENSION STYLE	SCALE	DESIGN UNITS	THIRD ANGLE PROJECTION
	▽=0 ◻=0	mm INCH 4 PLACES ± --- ± --- 3 PLACES ± --- ± --- 2 PLACES ± 0.3 ± --- 1 PLACE ± --- ± --- ANGULAR ± 3 °	MM ONLY	NTS	METRIC	
	DESCRIPTION	DRAFT WHERE APPLICABLE MUST REMAIN WITHIN DIMENSIONS	DRAWN BY: ANG DATE: 2005/04/15 CHECKED BY: KCL ING DATE: 2005/05/05 APPROVED BY: SKTOH DATE: 2005/05/06	TITLE	EBBI, 1.27MM PITCH RECEPTACLE, R/A	
	REV	SIZE	MATERIAL NO.	DOCUMENT NO.	MOLEX INCORPORATED SD-87552-012	
A1	A3	SEE TABLE		1 OF 2		THIS DRAWING CONTAINS INFORMATION THAT IS PROPRIETARY TO MOLEX INCORPORATED AND SHOULD NOT BE USED WITHOUT WRITTEN PERMISSION



RECOMMENDED PCB LAYOUT
COMPONENT SIDE

REVISED EC NO: S2007-1023 DRWN:SKANG CHKD:ATSEE APPR:MLONG	2007/05/23 2007/05/23 2007/05/23	DESCRIPTION QUALITY SYMBOLS ▽=0 ◻=0	GENERAL TOLERANCES (UNLESS SPECIFIED)		DIMENSION STYLE MM ONLY		SCALE NTS	DESIGN UNITS METRIC	THIRD ANGLE PROJECTION		
				mm INCH	DRAWN BY ANG	DATE 2005/04/15	TITLE EBBI, 1.27MM PITCH RECEPTACLE, R/A				
				4 PLACES ± --- ± --- 3 PLACES ± --- ± --- 2 PLACES ± 0.3 ± --- 1 PLACE ± --- ± ---	CHECKED BY KCLING	DATE 2005/05/05					
				ANGULAR ± 3 °	APPROVED BY SKTOH	DATE 2005/05/06	MOLEX INCORPORATED				
A1			DRAFT WHERE APPLICABLE MUST REMAIN WITHIN DIMENSIONS		MATERIAL NO. SEE TABLE		DOCUMENT NO. SD-87552-012		SHEET NO. 2 OF 2		
			SIZE A3		THIS DRAWING CONTAINS INFORMATION THAT IS PROPRIETARY TO MOLEX INCORPORATED AND SHOULD NOT BE USED WITHOUT WRITTEN PERMISSION						



RECOMMENDED PCB LAYOUT
COMPONENT SIDE

EC NO: S2005-0841 DRWN:ANG 2005/05/06 CHKD:KCLING 2005/05/06 APPR:SKTOH 2005/05/06	DESCRIPTION REV	QUALITY SYMBOLS	GENERAL TOLERANCES (UNLESS SPECIFIED)	DIMENSION STYLE MM ONLY	SCALE NTS	DESIGN UNITS METRIC	THIRD ANGLE PROJECTION																													
		$\nabla = 0$ $\square = 0$	<table border="1"> <thead> <tr> <th></th> <th>mm</th> <th>INCH</th> </tr> </thead> <tbody> <tr> <td>4 PLACES</td> <td>\pm ---</td> <td>\pm ---</td> </tr> <tr> <td>3 PLACES</td> <td>\pm ---</td> <td>\pm ---</td> </tr> <tr> <td>2 PLACES</td> <td>± 0.3</td> <td>\pm ---</td> </tr> <tr> <td>1 PLACE</td> <td>\pm ---</td> <td>\pm ---</td> </tr> </tbody> </table>		mm	INCH	4 PLACES	\pm ---	\pm ---	3 PLACES	\pm ---	\pm ---	2 PLACES	± 0.3	\pm ---	1 PLACE	\pm ---	\pm ---	<table border="1"> <thead> <tr> <th>DRAWN BY</th> <th>DATE</th> <th>TITLE</th> </tr> </thead> <tbody> <tr> <td>ANG</td> <td>2005/04/15</td> <td rowspan="4"> SALES DRAWING EBBI, 1.27MM PITCH RECEPTACLE, R/A </td> </tr> <tr> <td>CHECKED BY</td> <td>DATE</td> </tr> <tr> <td>KCLING</td> <td>2005/05/05</td> </tr> <tr> <td>APPROVED BY</td> <td>DATE</td> </tr> </tbody> </table>	DRAWN BY	DATE	TITLE	ANG	2005/04/15	SALES DRAWING EBBI, 1.27MM PITCH RECEPTACLE, R/A	CHECKED BY	DATE	KCLING	2005/05/05	APPROVED BY	DATE	<table border="1"> <tr> <td>SKTOH</td> <td>2005/05/06</td> </tr> </table>	SKTOH	2005/05/06	MOLEX INCORPORATED	
			mm	INCH																																
		4 PLACES	\pm ---	\pm ---																																
3 PLACES	\pm ---	\pm ---																																		
2 PLACES	± 0.3	\pm ---																																		
1 PLACE	\pm ---	\pm ---																																		
DRAWN BY	DATE	TITLE																																		
ANG	2005/04/15	SALES DRAWING EBBI, 1.27MM PITCH RECEPTACLE, R/A																																		
CHECKED BY	DATE																																			
KCLING	2005/05/05																																			
APPROVED BY	DATE																																			
SKTOH	2005/05/06																																			
		DRAFT WHERE APPLICABLE MUST REMAIN WITHIN DIMENSIONS	MATERIAL NO. SEE TABLE	DOCUMENT NO. SD-87552-012	SHEET NO. 2 OF 2																															
A			SIZE A3	THIS DRAWING CONTAINS INFORMATION THAT IS PROPRIETARY TO MOLEX INCORPORATED AND SHOULD NOT BE USED WITHOUT WRITTEN PERMISSION																																