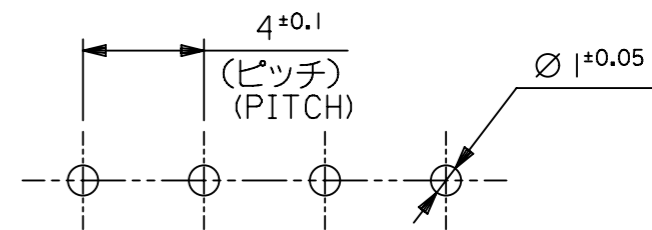


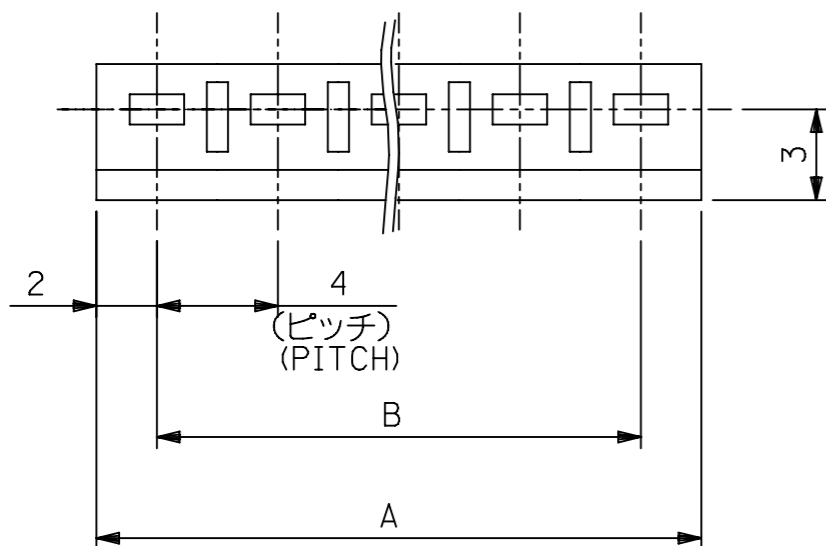
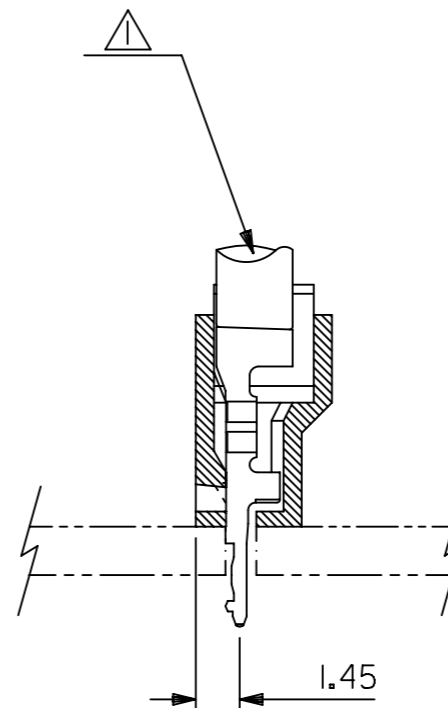
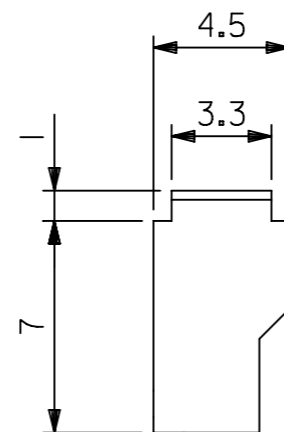
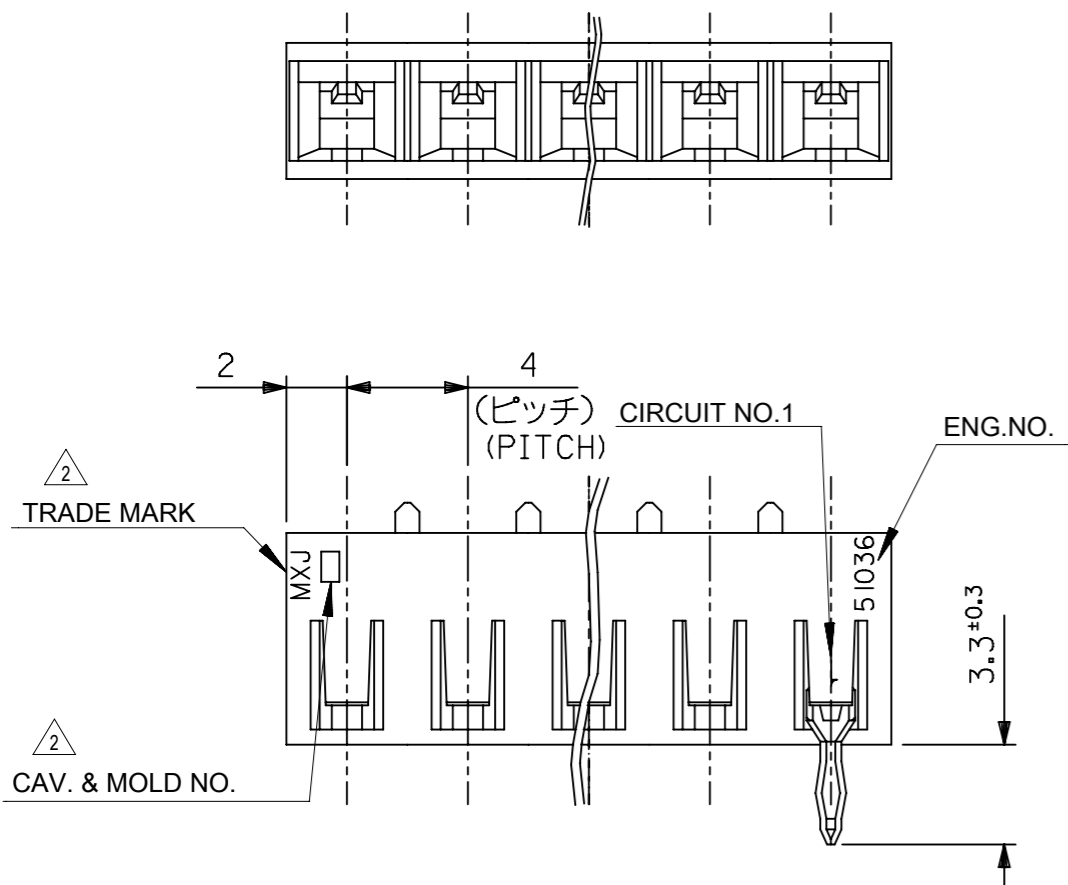
注記
NOTE

- ① 適合ターミナル : 500978*00
APPLICABLE : 500978*00
- ② トレ - ドマーク : MXJにて表示。
キャビティー番号 : 1桁から2桁の数字にて表示。 金型番号 : アルファベット1文字にて表示。
TRADE MARK IS FORMED BY MXJ.
AND BY 1-2 DIGIT NUMBER (TO CAVITY NO.)
AND BY 1 LETTER OD ALPHABET (TO MOLD NO.)
- ③ ELV及びRoHS適合品
ELV AND RoHS COMPLIANT.

(公差非累積)
(NON-ACCUMULATIVE)



基板取付穴推奨寸法(基板厚: 1.6mm)
RECOMMENDED PC BOARD
HOLE DIMENSION
(THICKNESS: 1.6mm)



28	32	510360800	8
24	28	↑ 0700	7
20	24	0600	6
16	20	0500	5
12	16	0400	4
8	12	↓ 0300	3
4	8	510360200	2
B	A	ENG.NO.	極数 CKT.

THIS DRAWING CONTAINS INFORMATION THAT IS PROPRIETARY TO MOLEX ELECTRONIC TECHNOLOGIES, LLC AND SHOULD NOT BE USED WITHOUT WRITTEN PERMISSION

材料 MATERIAL	POLYAMIDE,UL94V-0	
適用電線範囲 WIRE RANGE	AWG#22 ~ 18,AV0.5 ~ 0.85 AVS0.3 ~ 0.85	
被覆外径 INS. RANGE	Ø1.8 ~ 2.6	

GENERAL TOLERANCES (UNLESS SPECIFIED)	
10 ^{UNDER}	±0.2
10 ^{OVER} 30 ^{UNDER}	±0.25
30 ^{OVER}	±0.3
ANGULAR	±3°

DIMENSION UNITS	SCALE	CURRENT REV DESC: REMOVED OBSOLETE PART NUMBER AS PER PCN#509989.
mm	4:1	
GENERAL TOLERANCES (UNLESS SPECIFIED)		
4 PLACES	±	
3 PLACES	±	
2 PLACES	±	
1 PLACE	±	
0 PLACES	±	
ANGULAR TOL	± °	
DRAFT WHERE APPLICABLE MUST REMAIN WITHIN DIMENSIONS		
THIRD ANGLE PROJECTION	DRAWING	SERIES
EC NO: 708673	DRWN: KSAND	1996/06/30
DRWN: SANTHN	CHK'D: GGA	2022/05/13
APPR: GGA	APPR: MENOMOTO	2022/06/22
INITIAL REVISION:		1996/06/30
		1996/06/30

molex

4.0 BOARD IN CONNECTOR HOUSING

PRODUCT CUSTOMER DRAWING

DOCUMENT NUMBER	DOC TYPE	DOC PART	REVISION
SD-51036-001	PSD	001	H2
MATERIAL NUMBER	CUSTOMER	SHEET NUMBER	
SEE TABLE	GENERAL MARKET	1 OF 1	