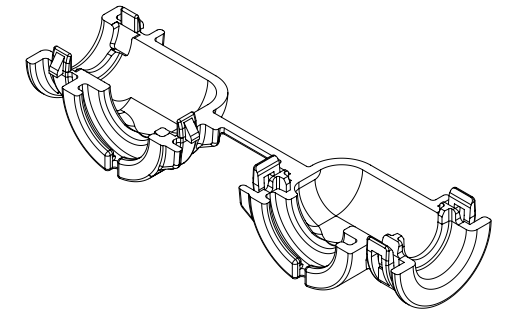
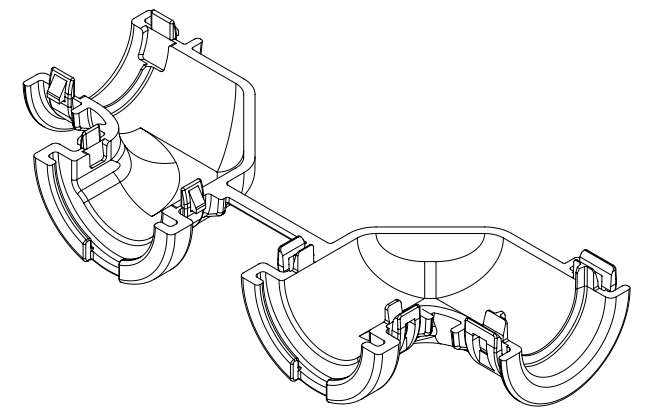


TABLE OF CONTENTS	
SHEET NO.	SHEET DESCRIPTION
1	NOTES AND BOM
2	CONFIGURATIONS
3	ADAPTOR DETAIL

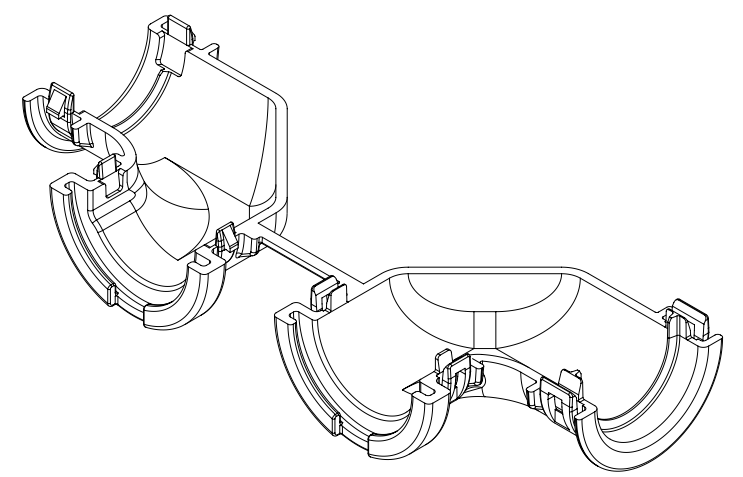
BILL OF MATERIALS (BOM)							
DESCRIPTION	PART NUMBER	CIRCUIT SIZE	COLOR	RIBS	MATING DRAWING	CONVOLUTE SIZE	STATUS
1X3 C.S., WITH RIB	204351-0304	1X3 C.S.	BLACK	YES	2043510301 PSD	AD 10 SOFANO VARIANT 1	SALEABLE
2X4, WITH RIB	34951-0831	2X4	BLACK	YES	SD-34951-0001 SD-34950-0001	NW 12 SCHLEMMER	SALEABLE
2X4, WITHOUT RIB	34951-0841	2X4	BLACK	NO	SD-34951-0001 SD-34950-0001	NW 12 SCHLEMMER	SALEABLE
2X8/2X10, WITH RIB	34951-1631	2X8/2X10	BLACK	YES	SD-34951-0001 SD-34950-0001	NW 16 SCHLEMMER	SALEABLE
2X8/2X10, WITHOUT RIB	34951-1641	2X8/2X10	BLACK	NO	SD-34951-0001 SD-34950-0001	NW 16 SCHLEMMER	SALEABLE



1X3 C.S.



2X4



2X8/2X10

ADAPTOR NOTES: VALID UNLESS OTHERWISE SPECIFIED

1. GENERAL:
 - a. APPLICATION SPECIFICATION SEE: 1600730001-AS REV C
 - DESIGNED TO MATE WITH BACKSHELL AS SPECIFIED IN THE BOM
 - COMPONENTS ARE OPTIONAL AND MUST BE PURCHASED SEPERATELY. SEE GM DRAWING 13109960 REV 006 FOR CONDUIT SPECIFICATIONS
 - b. PRODUCT SPECIFICATION: TBD
 - c. PACKAGING SPECIFICATION SEE: TBD
 - d. PARTS MUST BE IN COMPLIANCE TO MOLEX CHEMICAL SUBSTANCES FOR PRODUCTS AND PACKAGING SPECIFICATION: QEHS-699000-300
 - e. DATA MUST BE SUBMITTED UNDER THE MOLEX PART NUMBER TO IMDS (COMPANY ID#13255)
 - f. FOLLOWING PRODUCTION CODES TO BE PRESENT
 - DATE CODE
 - MOLD CAVITY CODE
 - MOLEX LOGO
 - RECYCLE CODE
2. DESIGN - MATERIALS:
 - a. PA66 0% GLASS FILLED
 - b. BLACK
3. DESIGN GEOMETRY:
 - a. THIS IS A 100% CAD GENERATED PART. THE CAD MATHEMATICAL DATA IS THE MASTER FOR THIS PART. FOR DIMENSIONAL OR ANY INFORMATION NOT SHOWN ON THIS DRAWING, ANALYZE THE CAD MODEL.
 - b. GEOMETRIC DIMENSIONS AND TOLERANCES PER ASME Y14.5M - 2009.
 - c. CORNERS SHOWN AS SHARP TO BE R 0.1.
 - d. VISUAL DEFECTS SHALL MEET COSMETIC STANDARD PS-45499-002 (CLASS B).
 - e. VISUAL DEFECTS SHALL MEET COSMETIC STANDARD PS-45499-002 (CLASS C) FOR SPECIFIED AREAS ON THE ADAPTOR.
 - f. ALLOWABLE FLASH, PARTING LINES MISMATCH, EJECTOR PINS MARK, AND GATE VESTIGE TO BE +0.30 MAX PROTUSION.

A10	CHANGED TOLERANCE ON DIM C FROM 0.12 TO 0.10 TO MATCH PDD
A9	CHANGED PARTS STATUS TO SALEABLE
A8	UPDATED RIB FEATURES AND CONTROLS
A7	UPDATE TOLERANCES FOR MANUFACTURING
A6	UPDATE TOLERANCES FOR MANUFACTURING
A5	UPDATE REV DESCRIPTION TABLE
A4	UPDATE NOTE 1.a FOR CONDUIT DEFINITION
A3	RELEASE P/N 204351-0304 FOR SALEABLE
A2	UPDATED CHARTS AND BALLOON NUMBERS
A1	MODIFIED SETTING IN PLM
A	DRAWING RELEASE
REV	DESCRIPTION

INSPECTION NUMBER LOG	
LAST NUMBER:	53
ADDED:	41,51,43,53,45,48,27,28,14,25,17,19,15,27
REMOVED:	1,2,3,4,5,43,53

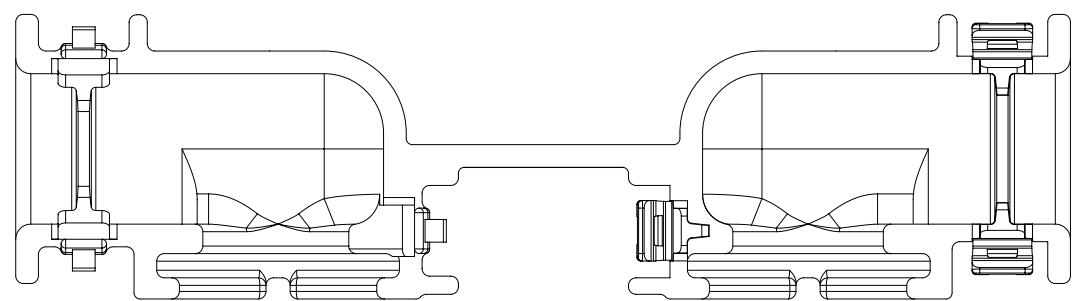
THIS DRAWING CONTAINS INFORMATION THAT IS PROPRIETARY TO MOLEX ELECTRONIC TECHNOLOGIES, LLC AND SHOULD NOT BE USED WITHOUT WRITTEN PERMISSION

EC NO: 632862 DRWN: PPALLAN CHKD: MVANSLAMBROU APPR: MVANSLAMBROU	2020/02/25 2020/02/26 2020/02/26	GENERAL TOLERANCES (UNLESS SPECIFIED) DIMENSION UNITS: mm SCALE: 1:1 ANGULAR TOL ± °	DRWN BY: DDEB DATE: 2017/12/08 CHK'D BY: DATE APPR BY: MVANSLAMBROU DATE: 2017/12/20	<p>MX150 90° ADAPTOR</p> <p>PRODUCT CUSTOMER DRAWING</p>	
	4 PLACES ± 3 PLACES ± 2 PLACES ± 0.1 1 PLACE ± 0.2 0 PLACES ±	DRAFT WHERE APPLICABLE MUST REMAIN WITHIN DIMENSIONS	DRAWING SIZE: A2 THIRD ANGLE PROJECTION		SERIES: 34951 MATERIAL NUMBER: 349510001 CUSTOMER:
	DOCUMENT NUMBER: 349510001 DOC TYPE: PSD DOC PART: 000 SHEET NUMBER: 1 OF 4				
	A10				

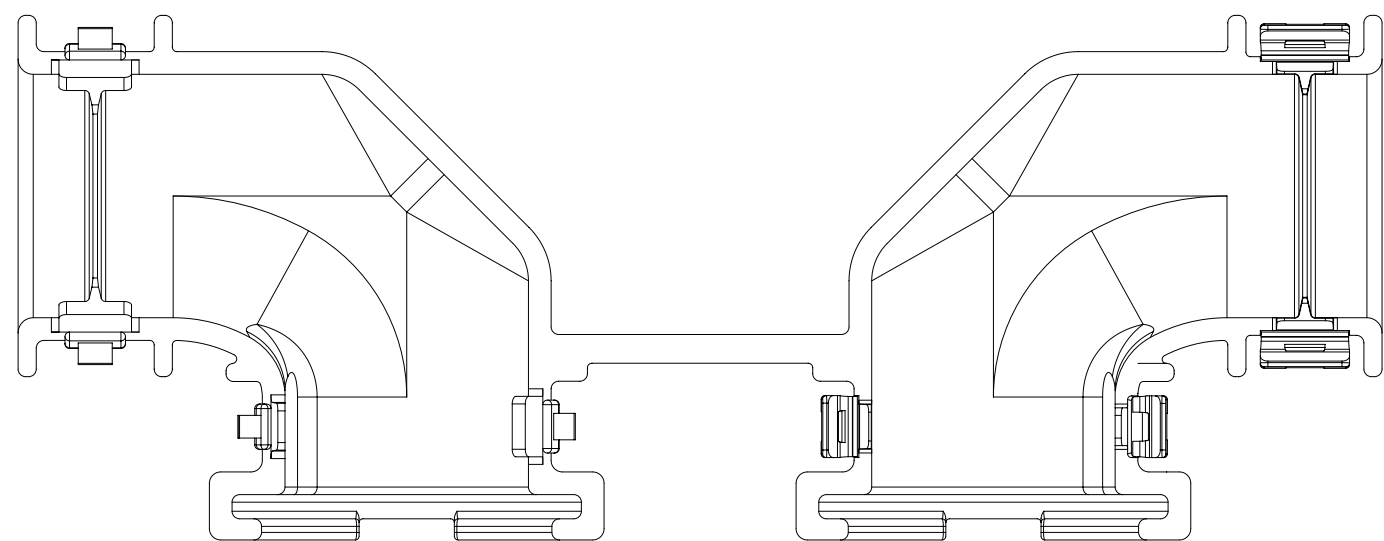
SHEET DESCRIPTION
CONFIGURATIONS

WITH RIB

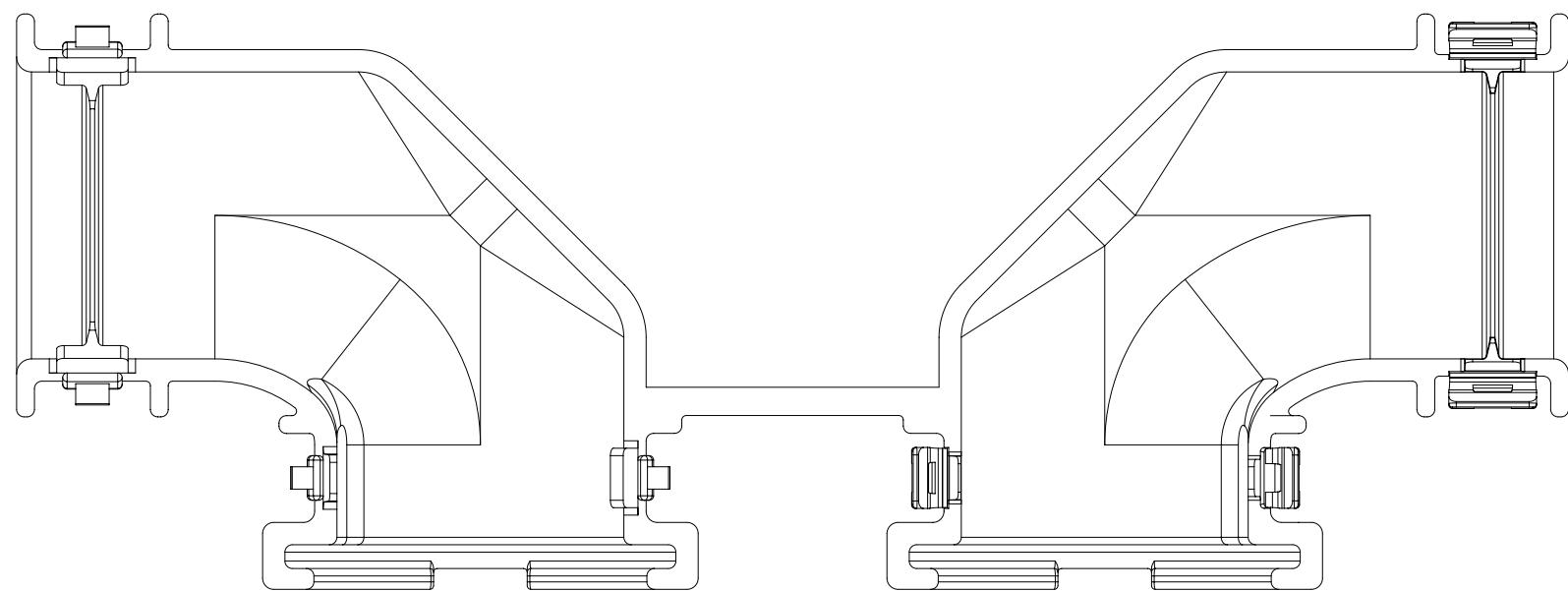
WITHOUT RIB



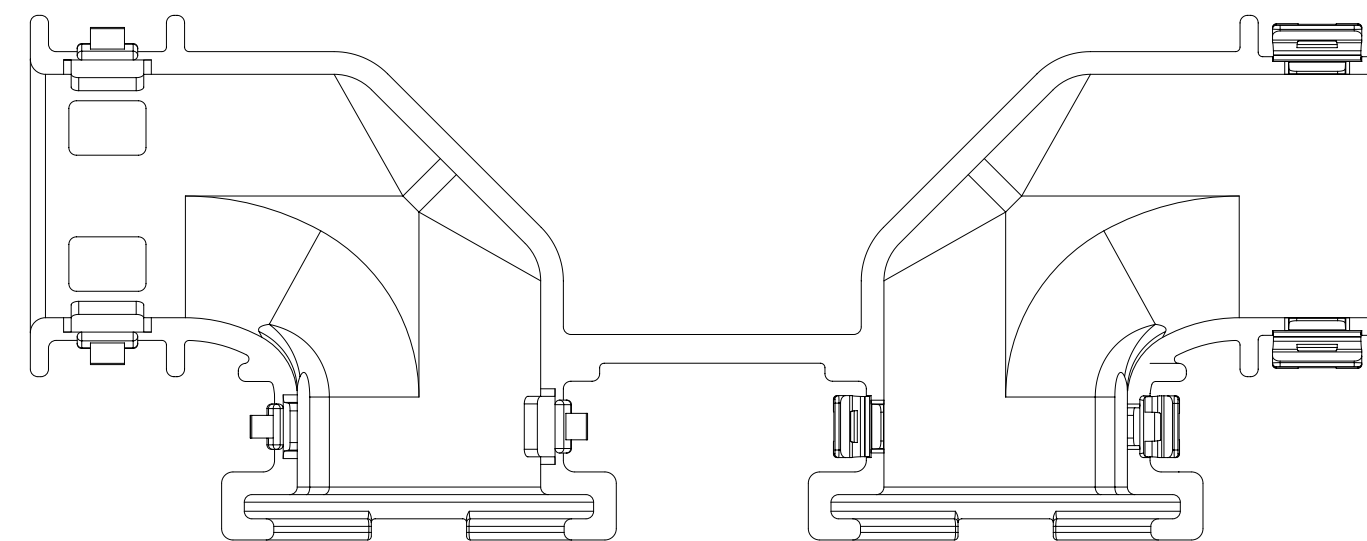
1X3 C.S.



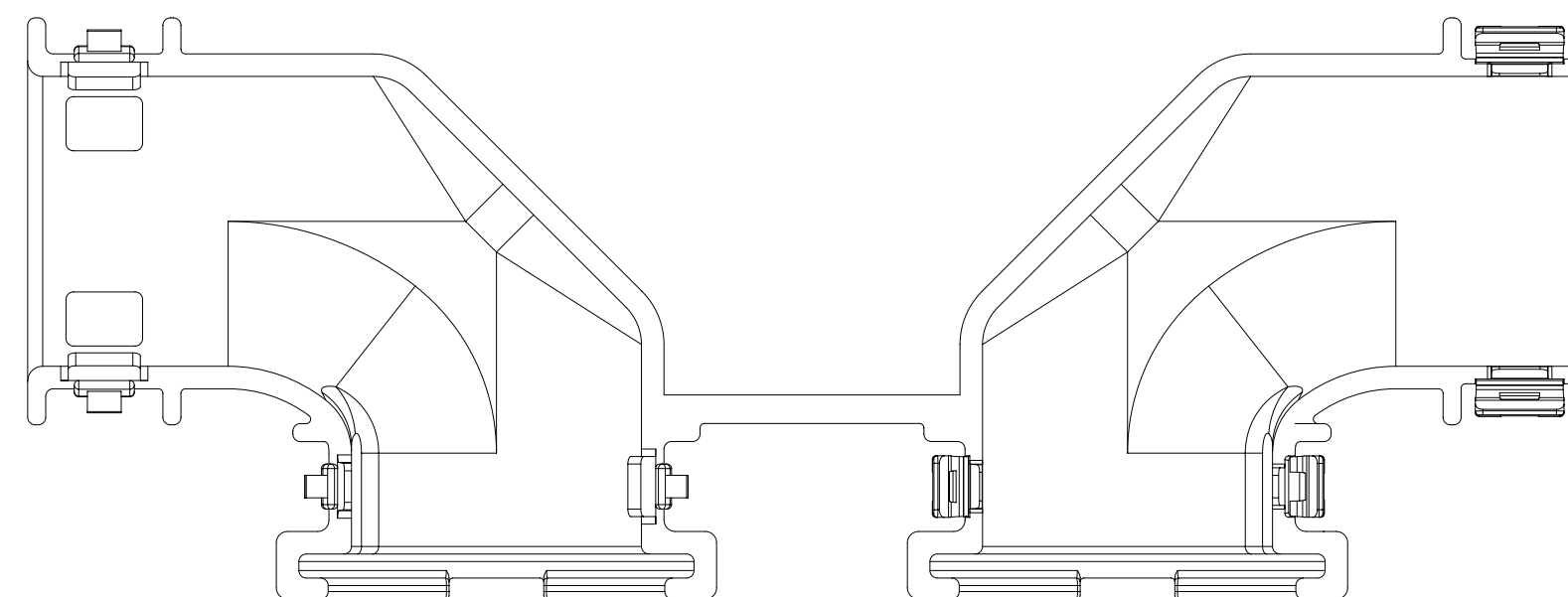
2X4



2X8 / 2X10



2X4



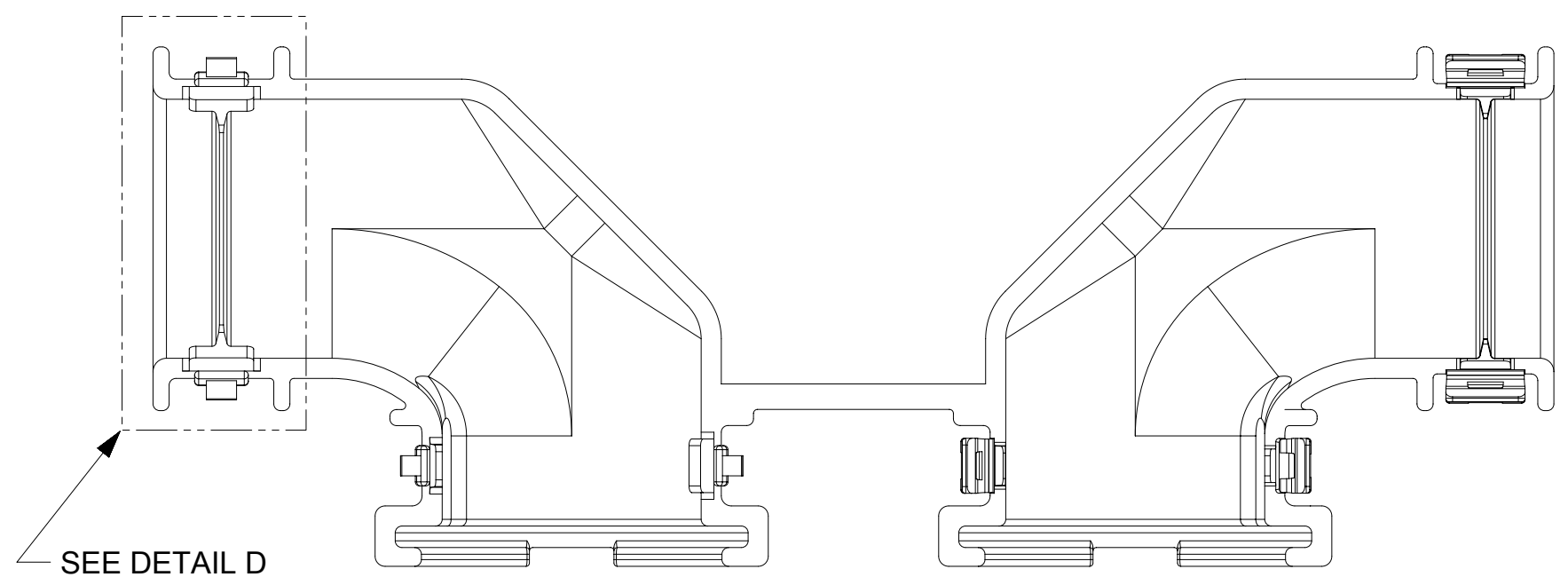
2X8 / 2X10

THIS DRAWING CONTAINS INFORMATION THAT IS PROPRIETARY TO MOLEX ELECTRONIC TECHNOLOGIES, LLC AND SHOULD NOT BE USED WITHOUT WRITTEN PERMISSION

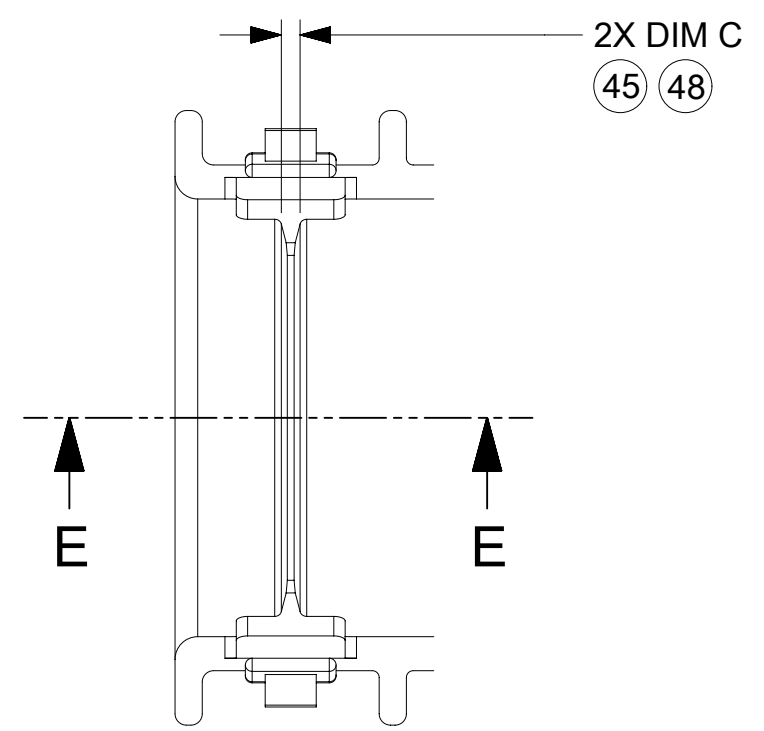
EC NO: 632862 DRWN: PPALLAN CHKD: MVANSLAMBROU APPR: MVANSLAMBROU	2020/02/25 2020/02/26 2020/02/26	GENERAL TOLERANCES (UNLESS SPECIFIED) DIMENSION UNITS: mm SCALE: 2:1				
	ANGULAR TOL ± ° 4 PLACES ± 3 PLACES ± 2 PLACES ± 0.1 1 PLACE ± 0.2 0 PLACES ±	DRWN BY: DDEB DATE: 2017/12/08				
	DRAFT WHERE APPLICABLE MUST REMAIN WITHIN DIMENSIONS	A10	A2	PRODUCT CUSTOMER DRAWING		
	DRAWING SIZE: A2 THIRD ANGLE PROJECTION	APPR BY: MVANSLAMBROU DATE: 2017/12/20	SERIES: 34951 MATERIAL NUMBER: 349510001 CUSTOMER:	DOC TYPE: PSD DOC PART: 000	SHEET NUMBER: 2 OF 4	

SHEET DESCRIPTION
DUAL ROW ADAPTOR DETAIL

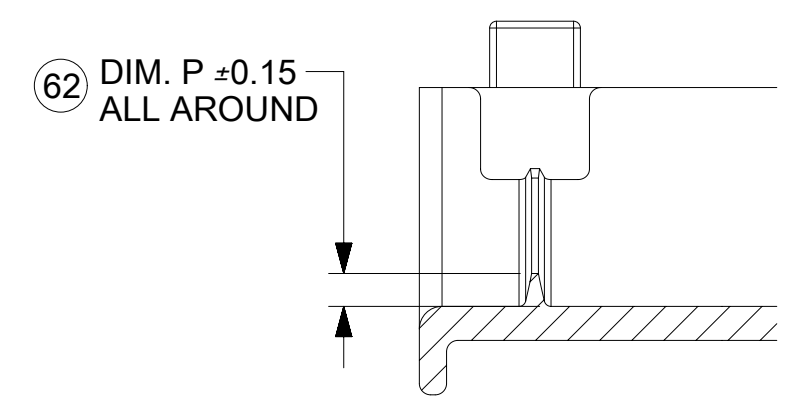
DESCRIPTION	DIMENSIONS				
	P	R	C	D	E
2X4 WITH RIB	1.35	16.10	0.80	N/A	N/A
2X4 W/O RIB	N/A	16.10	N/A	3.60	5.10
2X8/2X10 WITH RIB	1.45	19.30	0.80	N/A	N/A
2X8/2X10 W/O RIB	N/A	19.30	N/A	3.60	5.10



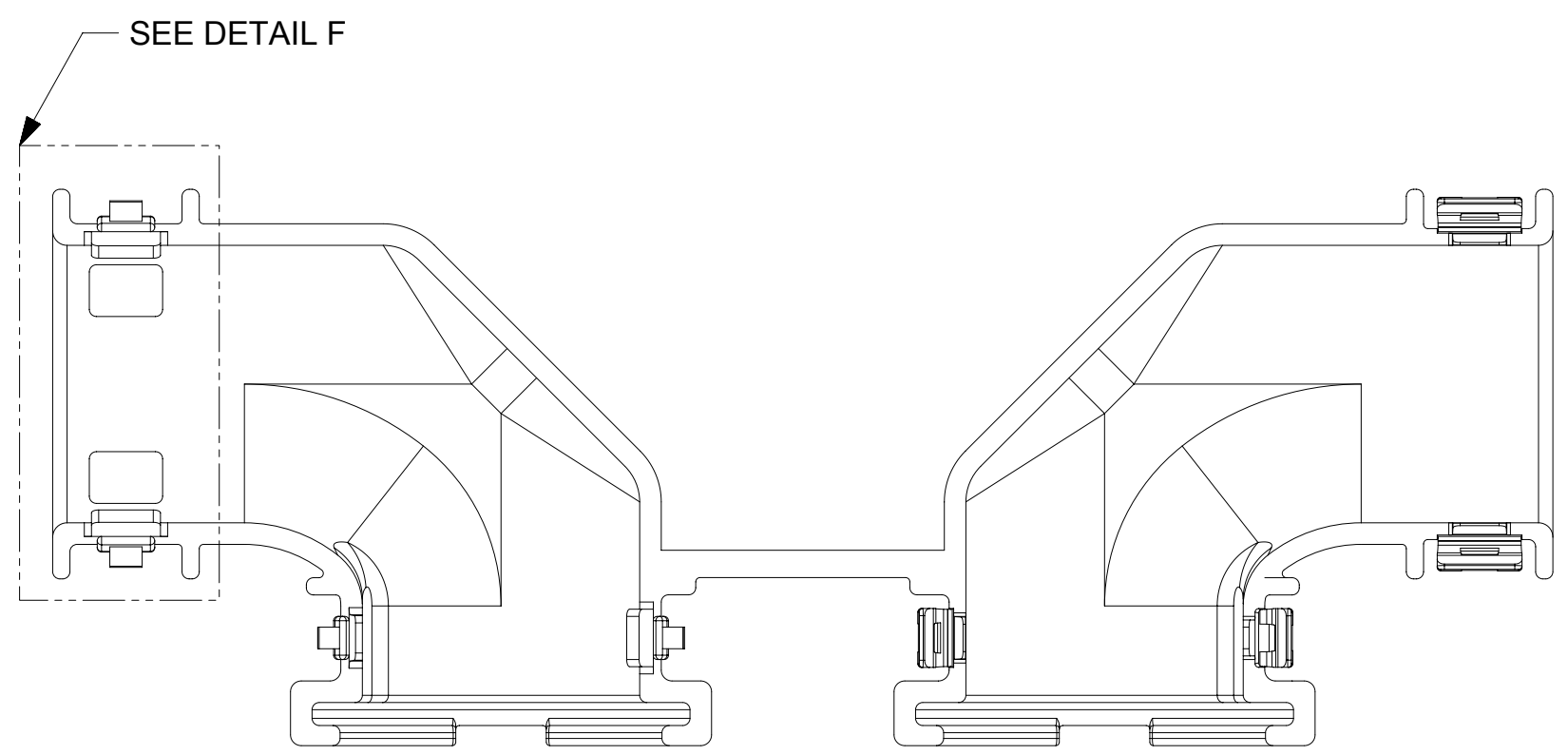
WITH RIB



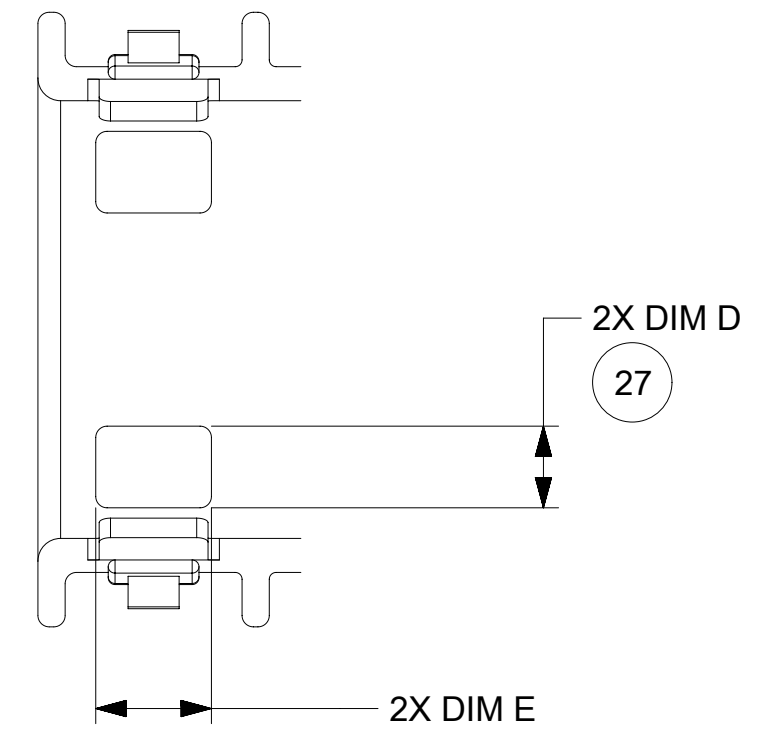
DETAIL D
SCALE 3:1



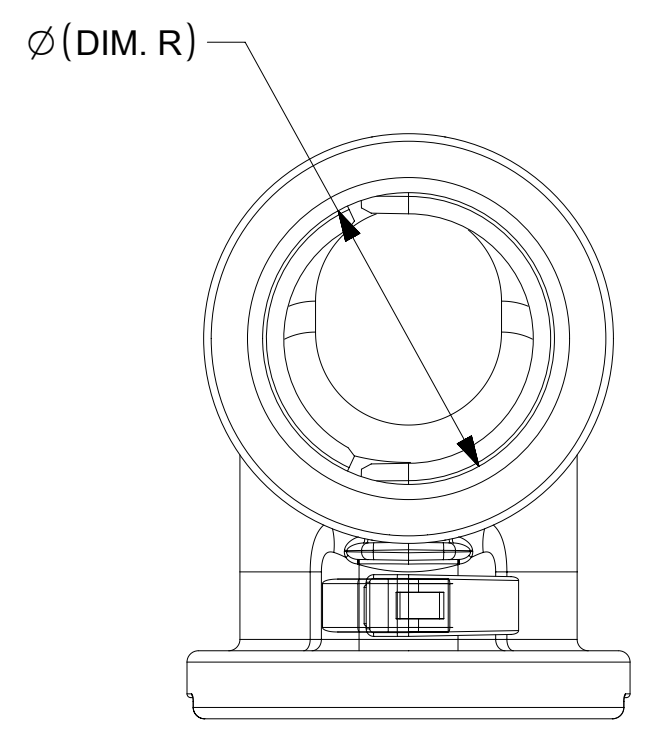
SECTION E-E



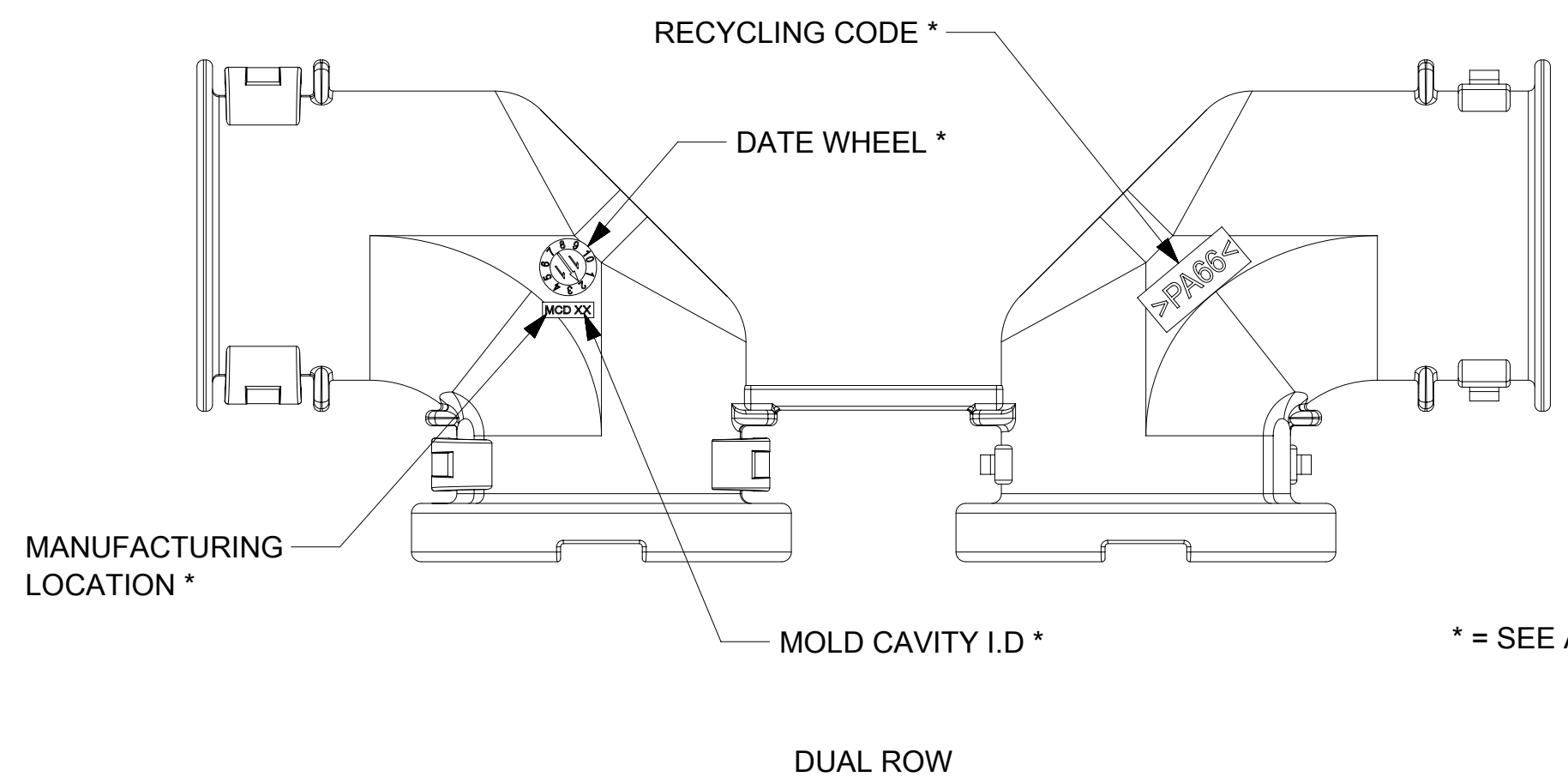
WITHOUT RIB



DETAIL F
SCALE 3:1



FOR WITH RIB AND WITHOUT RIB



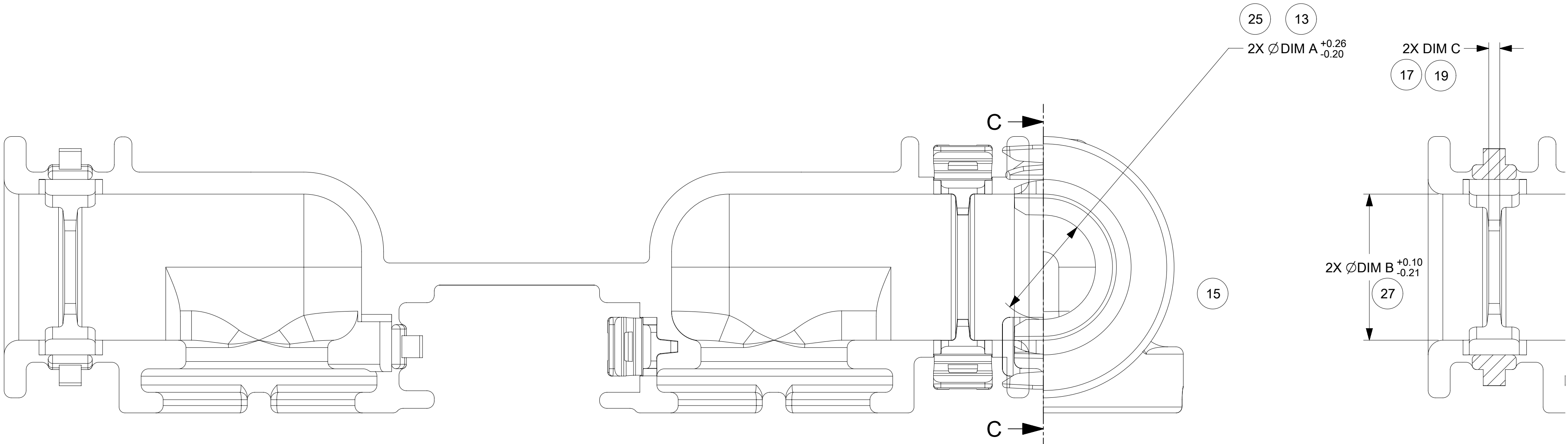
DUAL ROW

* = SEE ADAPTOR NOTES - 3.e.

THIS DRAWING CONTAINS INFORMATION THAT IS PROPRIETARY TO MOLEX ELECTRONIC TECHNOLOGIES, LLC AND SHOULD NOT BE USED WITHOUT WRITTEN PERMISSION										
EC NO: 632862 DRWN: PPALLAN CHKD: MVANSLAMBROU APPR: MVANSLAMBROU	GENERAL TOLERANCES (UNLESS SPECIFIED)		DIMENSION UNITS	SCALE						
	ANGULAR TOL ±		mm	2:1						
2020/02/25	2020/02/26	2020/02/26	DRWN BY DATE		DDEB 2017/12/08					
4 PLACES ±		CHK'D BY DATE			MX150 90° ADAPTOR					
3 PLACES ±		APPR BY DATE			PRODUCT CUSTOMER DRAWING					
2 PLACES ± 0.1		MVANSLAMBROU 2017/12/20			SERIES	MATERIAL NUMBER	CUSTOMER			
1 PLACE ± 0.2		DRAWING SIZE			THIRD ANGLE PROJECTION	34951				
0 PLACES ±		DRAFT WHERE APPLICABLE MUST REMAIN WITHIN DIMENSIONS			A2	DOCUMENT NUMBER		DOC TYPE	DOC PART	SHEET NUMBER
A10	A2			349510001		PSD	000	3 OF 4		

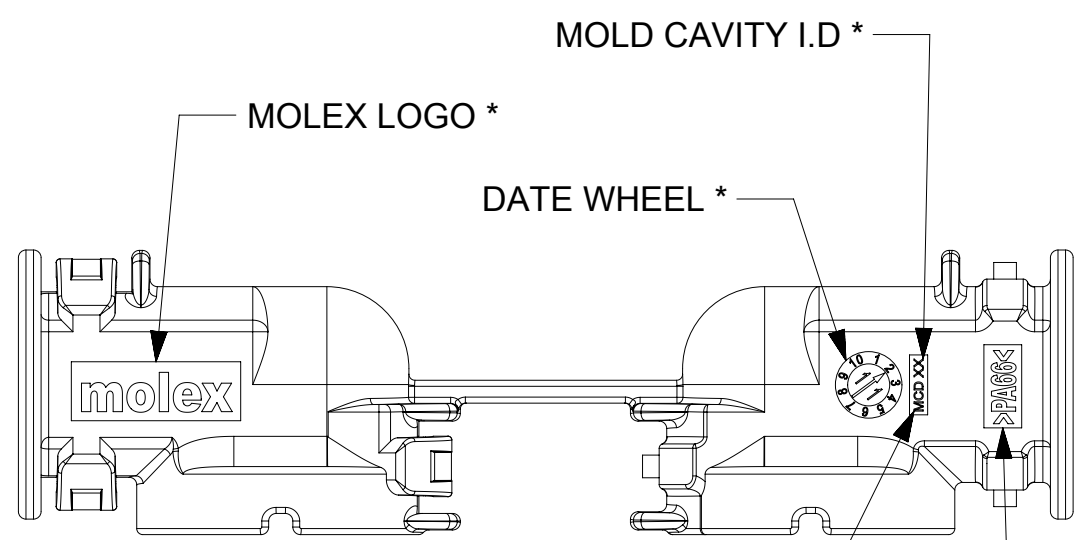
SHEET DESCRIPTION
SINGLE ROW ADAPTOR DETAIL

CHARTED DIMENSION			
DESCRIPTION	DIMENSIONS		
	A	B	C
1X3 C.S. WITH RIB	7.1	9.95	0.75



1X3 C.S.

PARTIAL SECTION C-C



1X3 C.S.

* = SEE ADAPTOR NOTES - 3.e.

THIS DRAWING CONTAINS INFORMATION THAT IS PROPRIETARY TO MOLEX ELECTRONIC TECHNOLOGIES, LLC AND SHOULD NOT BE USED WITHOUT WRITTEN PERMISSION

DIMENSION UNITS	SCALE	Material:	molex
mm	5:1	Heat treat:	
GENERAL TOLERANCES (UNLESS SPECIFIED)	Finish:	CURRENT REV DESC:	MX150 90° ADAPTOR
ANGULAR TOL ± °			
4 PLACES ±			PRODUCT CUSTOMER DRAWING
3 PLACES ±			
2 PLACES ± 0.1			DOCUMENT NUMBER
1 PLACE ± 0.2			
0 PLACES ±			349510001
TOOL NUMBER	THIRD ANGLE PROJECTION	DRAWING	SERIES
		A2-SIZE	34951
		CUSTOMER	SHEET NUMBER
			4 OF 4

DOCUMENT STATUS	P1	RELEASE DATE	2020/02/26	00:51:12
-----------------	----	--------------	------------	----------

TABLE OF CONTENTS	
SHEET NO.	SHEET DESCRIPTION
1	NOTES AND BOM
2	CONFIGURATIONS
3-4	KEY CONFIGURATIONS
5	RECEPTACLE CONNECTOR ASSEMBLY
6	2X10 CONNECTOR INTERFACE DEFINITION

NOTES: VALID UNLESS OTHERWISE SPECIFIED

1. GENERAL:

a. APPLICATION SPECIFICATION SEE: AS-33472-100
 -CONTAINS: PRODUCT INTRODUCTION, PRODUCT SUMMARY, CONNECTOR ASSEMBLY, PACKAGING INFORMATION, CONNECTOR MATING, SERVICE INSTRUCTIONS, ELECTRICAL CONTINUITY CHECKING, CRIMPING, AND TROUBLESHOOTING.
 -DESIGNED TO MATE WITH DEVICE OR CONNECTOR AS SPECIFIED IN THE MATING INTERFACE/CONNECTOR DRAWINGS CHART.
 *DENOTES DRAWINGS THAT CAN BE ACCESSED AT <http://ewcap.uscarteams.org/>.
 -ASSEMBLY SHIPPED WITH PLR IN PRE-LOCK POSITION (SEE PLR PRE-LOCK VIEW SHEET 5).

b. PRODUCT SPECIFICATION SEE: PS-160008-0001
 CONTAINS: SCOPE, PRODUCT DESCRIPTION, INTEGRAL COMPONENTS AND ACCESSORIES, APPLICABLE DOCUMENTS AND SPECIFICATIONS, RATINGS, PERFORMANCE, PACKAGING, GUAGES AND FIXTURES, AND OTHER INFORMATION.

c. PACKAGING SPECIFICATION PER MOLEX DRAWING: SEE PACKAGING CHART.

d. PARTS MUST BE IN COMPLIANCE TO MOLEX CHEMICAL SUBSTANCES FOR PRODUCTS AND PACKAGING SPECIFICATION: QEHS-699000-300

e. DATA MUST BE SUBMITTED UNDER THE MOLEX PART NUMBER TO IMDS (COMPANY ID#13255)

2. DESIGN - MATERIALS:

a. SEE BOM TABLE IN SD-160008-0002

3. DESIGN - GEOMETRY:

a. THE 3-D CAD DATA IS BASIC (WITHOUT TOLERANCE) AND MASTER FOR THIS PART WITH THE EXCEPTION OF UNDERLINED DIMENSIONS. DIMENSIONAL INFORMATION NOT SHOWN ON THIS DRAWING IS DEFINED BY THE DATA FILE AT ITS LATEST REVISION.

b. GEOMETRIC DIMENSIONS AND TOLERANCES PER ASME Y14.5M-2009

c. EDGES AND UNDIMENSIONED DETAILS PER ISO13715

d. CORNERS SHOWN AS SHARP TO BE R 0.2 MAX.

e. LETTERING SHALL BE 0.15 MAX RAISED IN 0.25 MAX RECESS PAD.
 THIS INCLUDES RECYCLING CODE, CAVITY ID, VENDOR IDENTIFICATION, AND CUSTOMER MATERIAL NUMBER.

f. VISUAL DEFECTS SHALL MEET COSMETIC STANDARD PS-45499-002 (Class B).

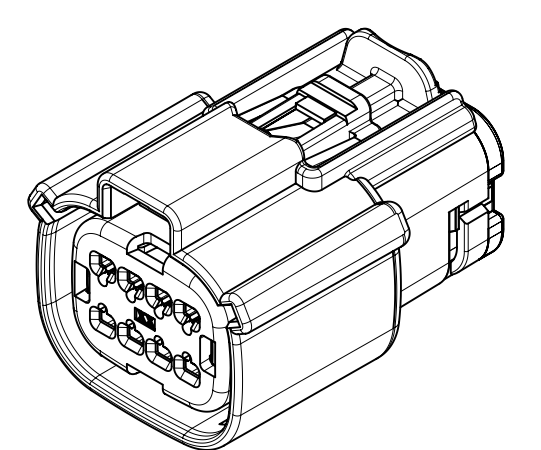
g. LASER MARKING:

- PART NUMBER
- DAY OF THE YEAR
- SHIFT
- YEAR

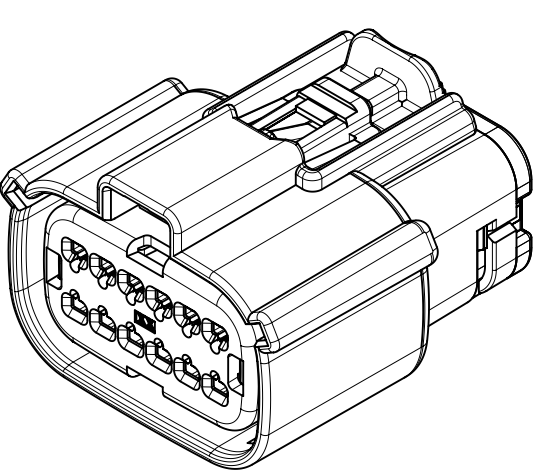
FOR ADDITIONAL INFORMATION SEE SECTION 5 UNDER PROCEDURES IN ES-34735-008.

PACKAGING	
DESCRIPTION	DRAWING NO.
2X2	TBD
2X3	TBD
2X4	PK-33472-001
2X6	PK-31300-903
2X8	TBD
2X10	PK-31300-903

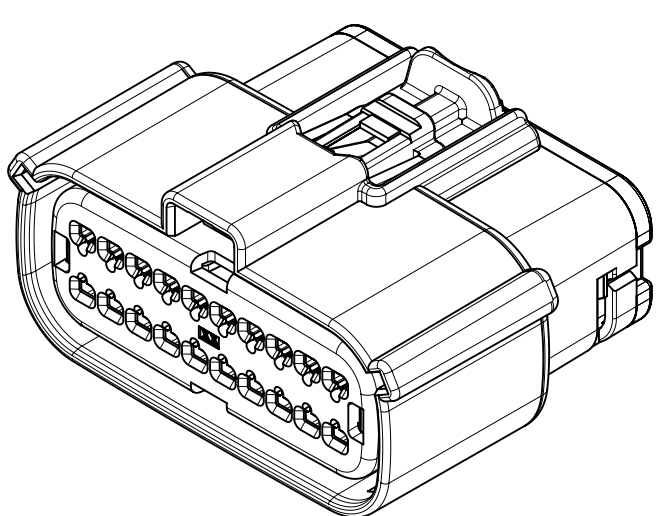
MATING CONNECTOR DRAWINGS		
DESCRIPTION	INTERFACE DEFINITION	MOLEX INLINE
2X2	*150-S-004-2-Z02	TBD
2X3	*150-S-006-2-Z02	TBD
2X4	*150-S-008-2-Z02	SD-160011-0001
2X6	*150-S-012-2-Z01	SD-160011-0001
2X8	*150-S-016-2-Z01	TBD
2X10	E-160008-0001	SD-160011-0001



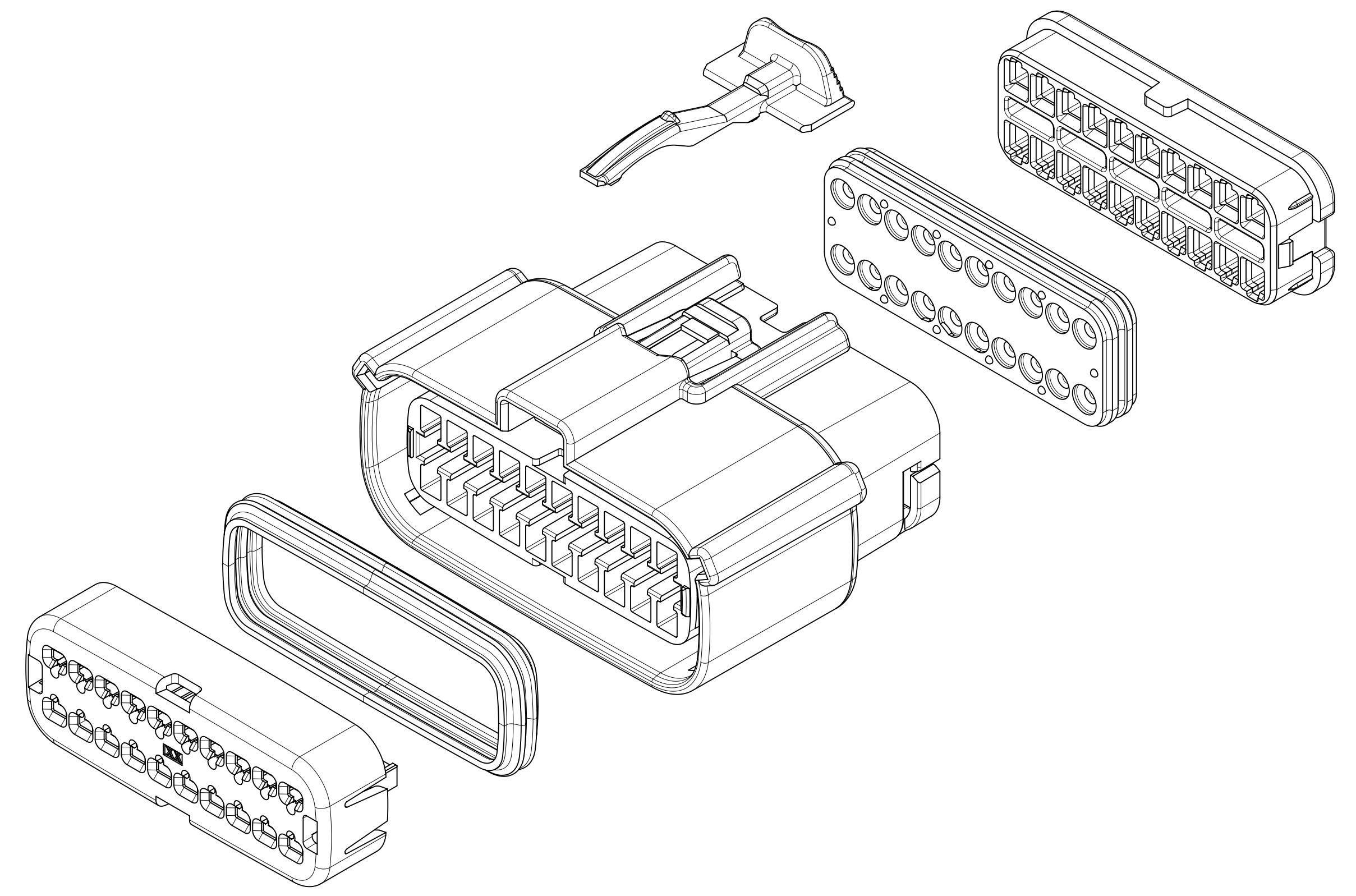
2X4



2X6



2X10

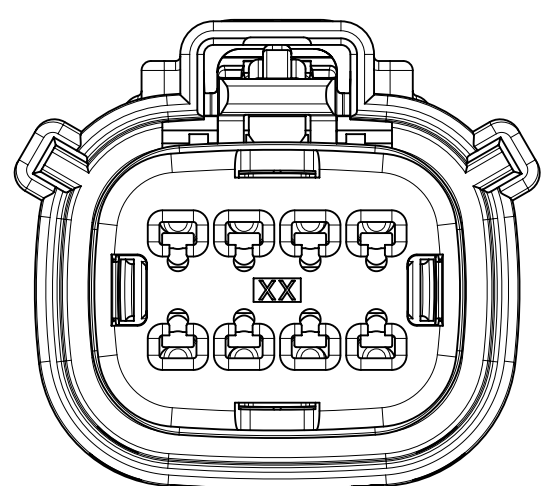


INSPECTION NUMBER LOG	
LAST NUMBER:	
ADDED:	
REMOVED:	

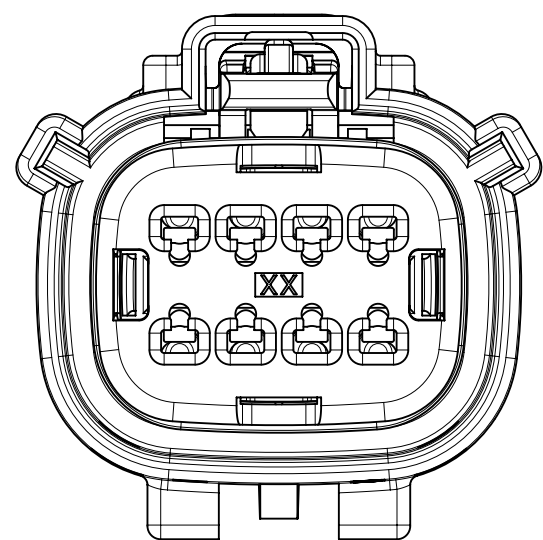
A5	ADDED MOLEX BACKSHELL DETAILS
A4	UPDATED INTERFACE SHEET
A3	ADDED SHEET 6 & UPDATED PASS THRU
A2	UPDATED NOTES
A1	UPDATED DIM 4
A	INITIAL RELEASE
REV	REV DESCRIPTION

SYMBOLS = 0 = 0 = 0 = 0 = 0 = 0 = 0 = 0 = 0	THIS DRAWING CONTAINS INFORMATION THAT IS PROPRIETARY TO MOLEX ELECTRONIC TECHNOLOGIES, LLC AND SHOULD NOT BE USED WITHOUT WRITTEN PERMISSION DIMENSION UNITS: mm SCALE: 1.5:1 GENERAL TOLERANCES (UNLESS SPECIFIED) ANGULAR TOL ± 3.0° 4 PLACES ± 3 PLACES ± 2 PLACES ± 0.1 1 PLACE ± 0.2 0 PLACES ± DRAFT WHERE APPLICABLE MUST REMAIN WITHIN DIMENSIONS	CURRENT REV DESC: EC NO: 173183 DRWN: DDEB 2018/02/23 CHK'D: MVANSLAMBROU 2018/03/07 APPR: MVANSLAMBROU 2018/03/07 INITIAL REVISION: DRWN: KBORUSZEWSKI 2014/02/19 APPR: VKOSHY 2014/03/05	 MX150 GEN 2 RECEPTACLE DUAL ROW SEALED ASSEMBLY MAT SEAL PRODUCT CUSTOMER DRAWING
	DOCUMENT NUMBER: SD-160008-0001 DOC TYPE: PSD DOC PART: 001 REVISION: A6	MATERIAL NUMBER: 160008 CUSTOMER: GENERAL MARKET SHEET NUMBER: 1 OF 11	
	THIRD ANGLE PROJECTION 	DRAWING: A1-SIZE SERIES: 160008	
	DOCUMENT STATUS: P1 RELEASE DATE: 2018/03/07 14:06:48		

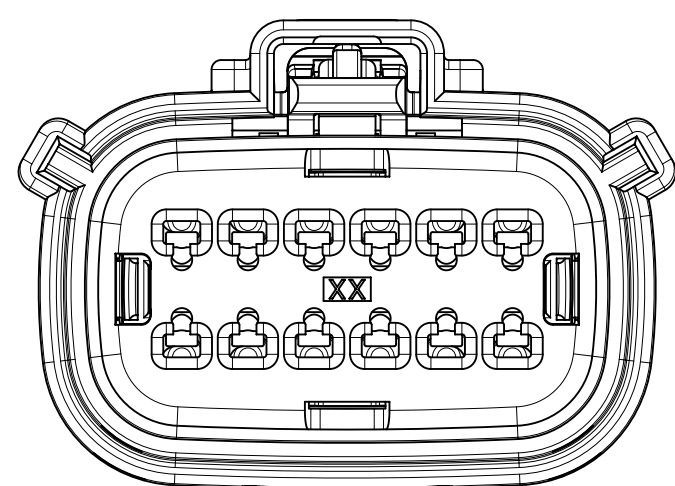
SHEET DESCRIPTION
CONFIGURATIONS



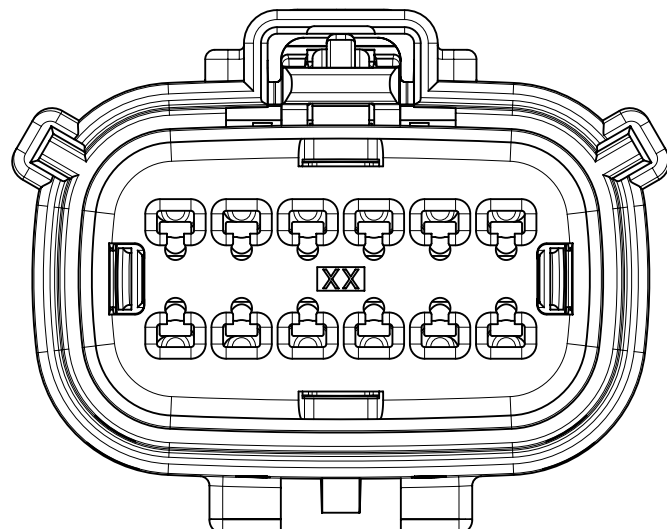
2X4
STANDARD



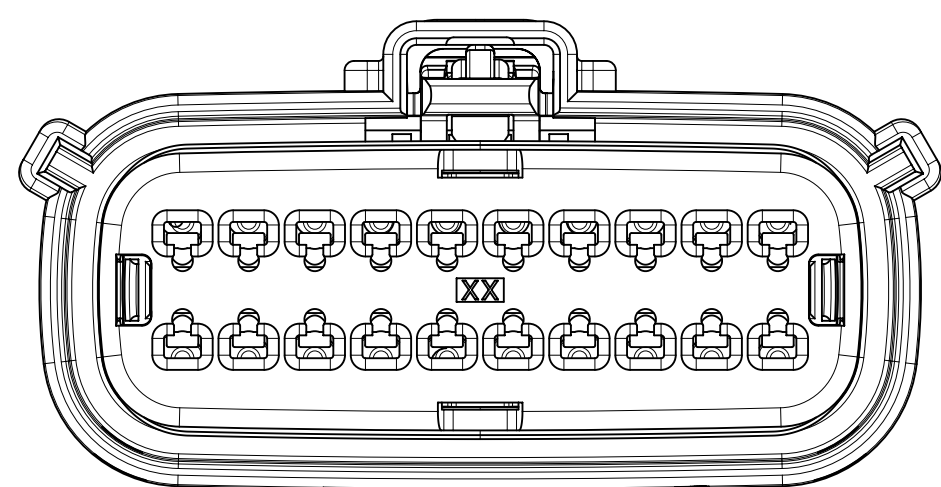
2X4
WITH CLIPSLOT *



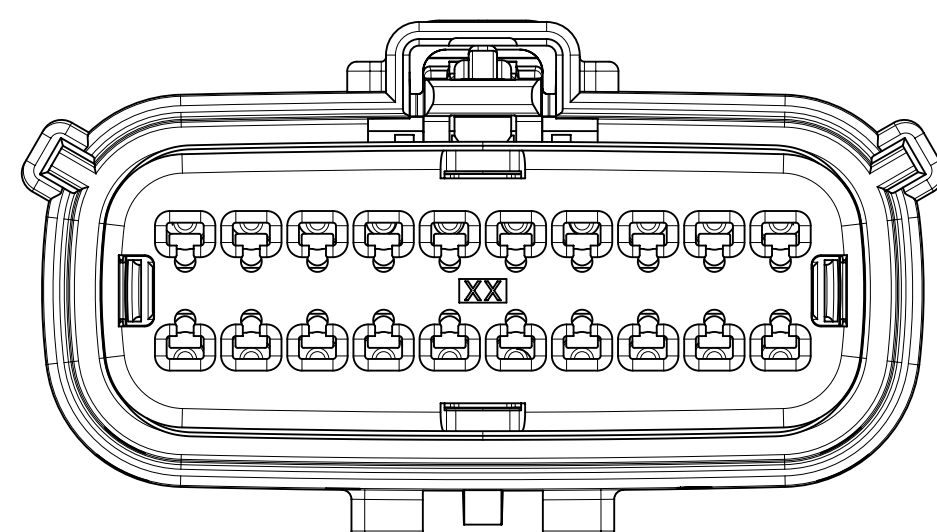
2X6
STANDARD



2X6
WITH CLIPSLOT *



2X10
STANDARD



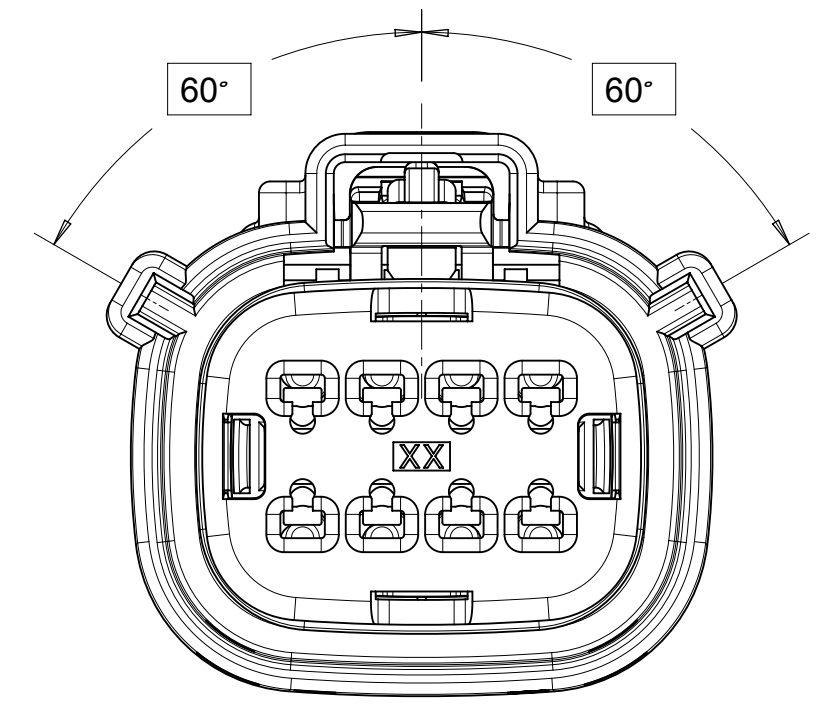
2X10
WITH CLIPSLOT *

* WITH CLIPSLOT CONFIGURATION DOES NOT MEET THE USCAR PACKAGING FRAME REQUIREMENTS.

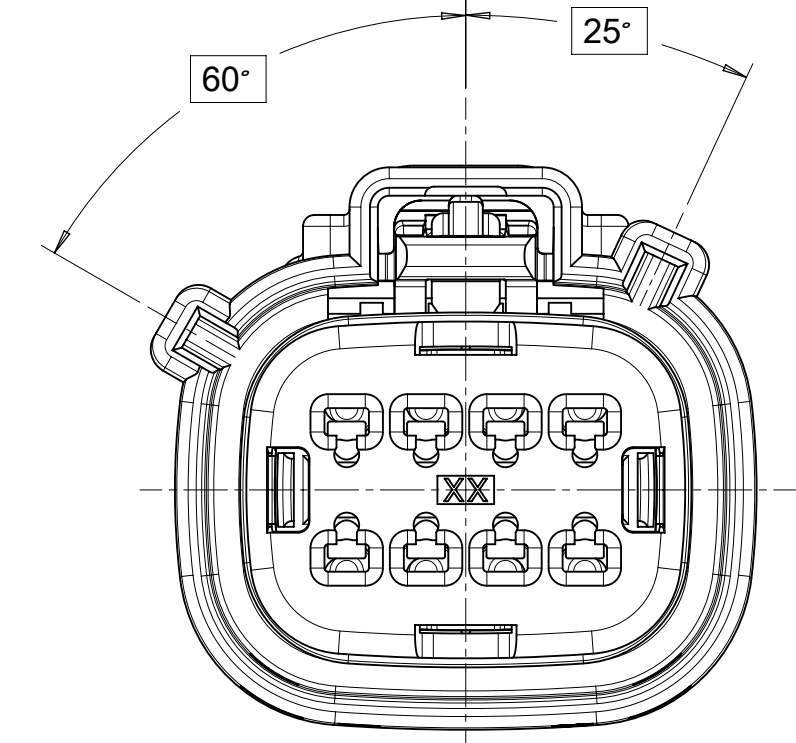
SYMBOLS	THIS DRAWING CONTAINS INFORMATION THAT IS PROPRIETARY TO MOLEX ELECTRONIC TECHNOLOGIES, LLC AND SHOULD NOT BE USED WITHOUT WRITTEN PERMISSION		CURRENT REV DESC:						
	DIMENSION UNITS	SCALE						EC NO: 173183	DRWN: DDEB
▽ = 0	mm	1:1	GENERAL TOLERANCES (UNLESS SPECIFIED)		CHK'D: MVANSLAMBROU	2018/03/07	MX150 GEN 2 RECEPTACLE DUAL ROW SEALED ASSEMBLY MAT SEAL		
▽ = 0	ANGULAR TOL ± 3.0°		4 PLACES ±		APPR: MVANSLAMBROU	2018/03/07	PRODUCT CUSTOMER DRAWING		
▽ = 0	3 PLACES ±		2 PLACES ± 0.1		INITIAL REVISION:		SD-160008-0001		
▽ = 0	2 PLACES ± 0.2		1 PLACE ± 0.2		DRWN: KBORUSZEWSKI	2014/02/19	PSD 001 A6		
▽ = 0	0 PLACES ±		DRAFT WHERE APPLICABLE MUST REMAIN WITHIN DIMENSIONS		APPR: VKOSHY	2014/03/05	GENERAL MARKET		
▽ = 0	THIRD ANGLE PROJECTION		DRAWING		SERIES		SHEET NUMBER		
▽ = 0	A1-SIZE		160008		GENERAL MARKET		2 OF 11		

SHEET DESCRIPTION
KEY CONFIGURATIONS

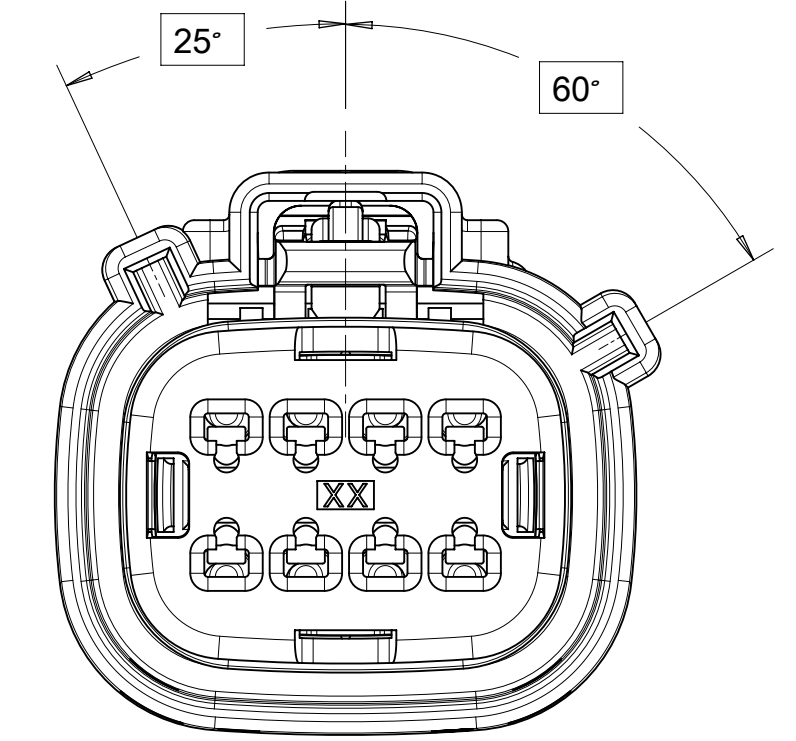
2X4



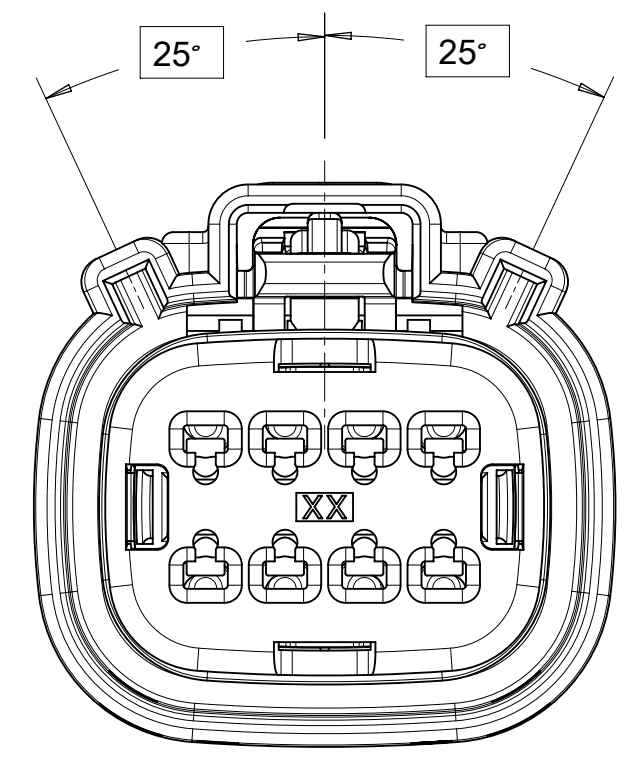
KEY A



KEY B



KEY C



KEY D

THIS DRAWING CONTAINS INFORMATION THAT IS PROPRIETARY TO MOLEX ELECTRONIC TECHNOLOGIES, LLC AND SHOULD NOT BE USED WITHOUT WRITTEN PERMISSION

SYMBOLS	DIMENSION UNITS	SCALE
	mm	1:1
	GENERAL TOLERANCES (UNLESS SPECIFIED)	
	ANGULAR TOL ± 3.0°	
	4 PLACES ±	
	3 PLACES ±	
	2 PLACES ± 0.1	
	1 PLACE ± 0.2	
	0 PLACES ±	
	DRAFT WHERE APPLICABLE MUST REMAIN WITHIN DIMENSIONS	

CURRENT REV DESC:
 EC NO: 173183
 DRWN: DDEB 2018/02/23
 CHK'D: MVANSLAMBROU 2018/03/07
 APPR: MVANSLAMBROU 2018/03/07
INITIAL REVISION:
 DRWN: KBORUSZEWSKI 2014/02/19
 APPR: VKOSHY 2014/03/05

molex

MX150 GEN 2 RECEPTACLE
DUAL ROW SEALED ASSEMBLY MAT SEAL

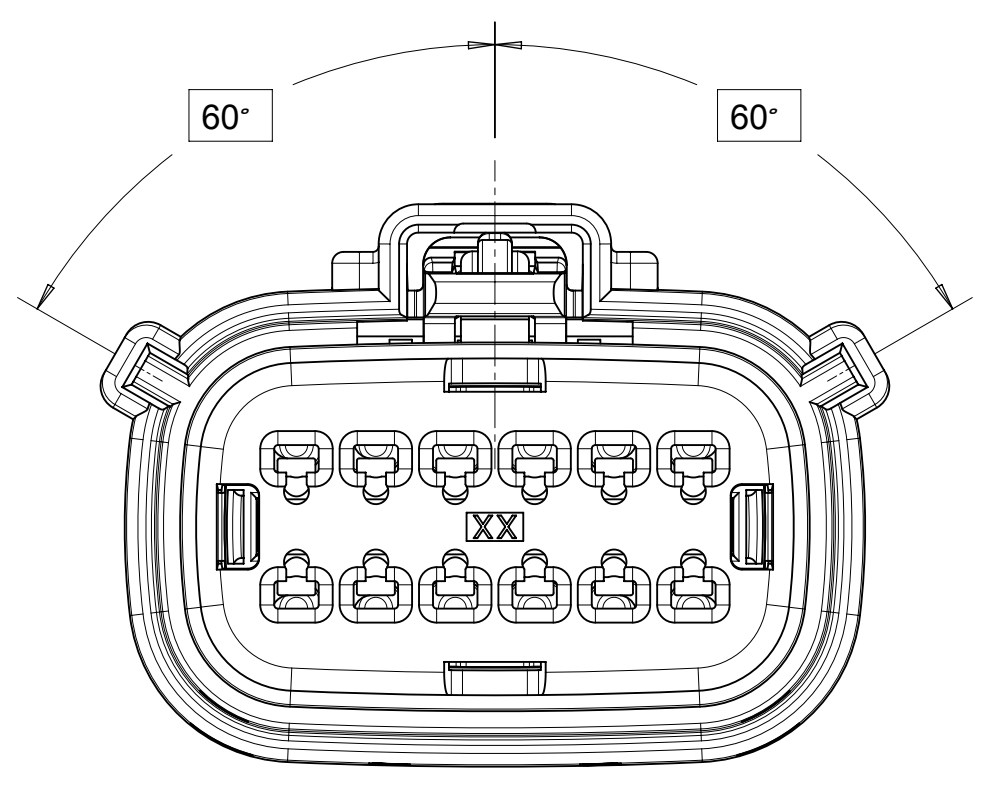
PRODUCT CUSTOMER DRAWING

DOCUMENT NUMBER	DOC TYPE	DOC PART	REVISION
SD-160008-0001	PSD	001	A6

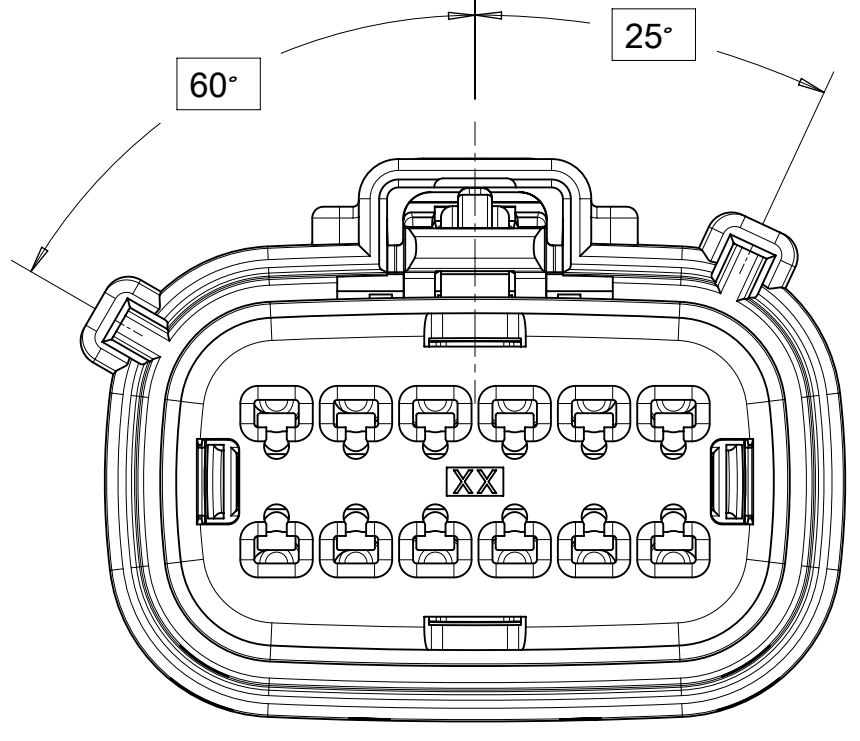
MATERIAL NUMBER: 160008
 CUSTOMER: GENERAL MARKET
 SHEET NUMBER: 3 OF 11

SHEET DESCRIPTION
KEY CONFIGURATIONS CONT.

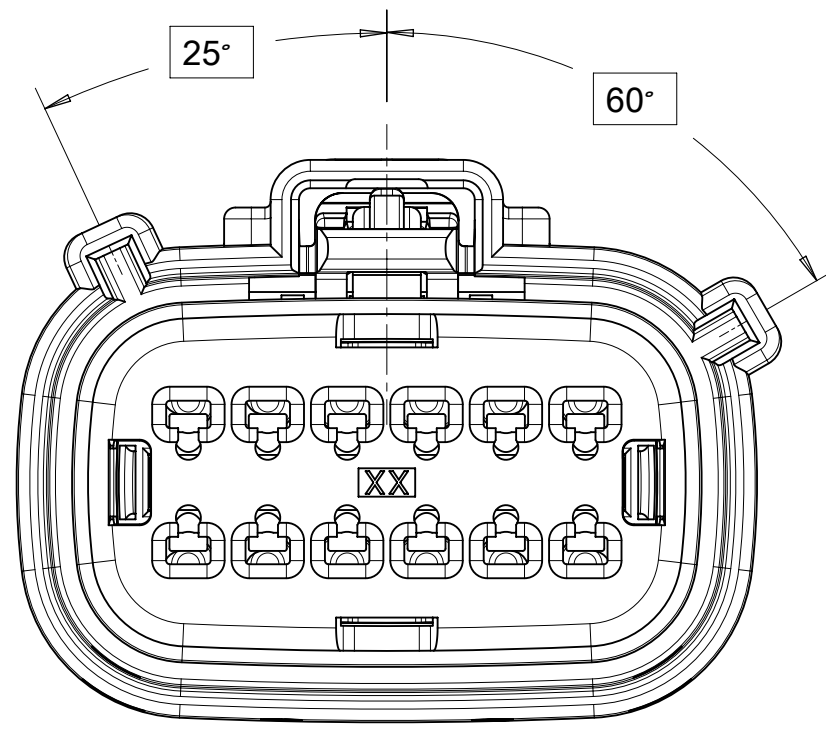
2X6



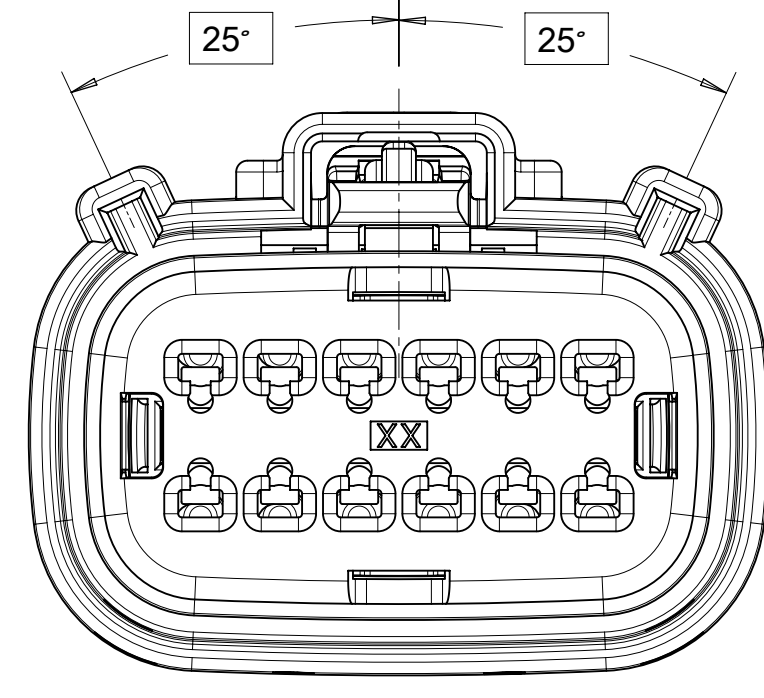
KEY A



KEY B

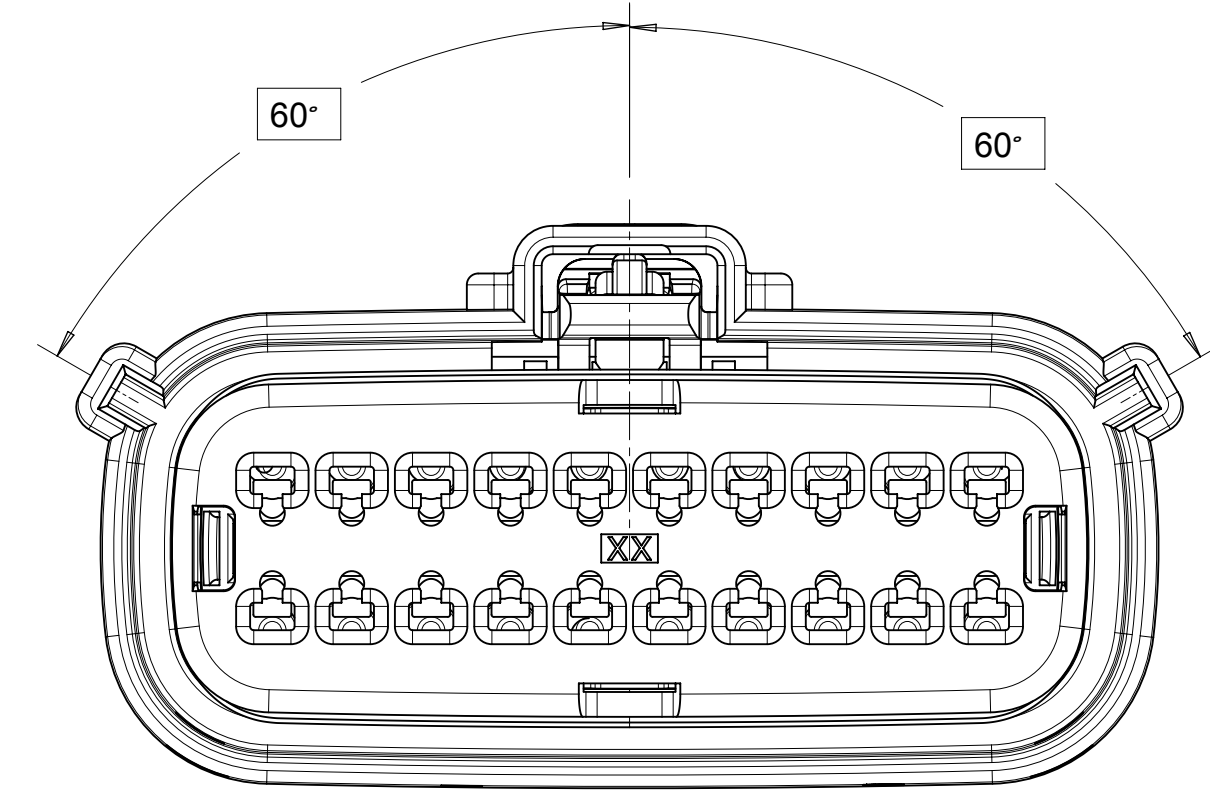


KEY C

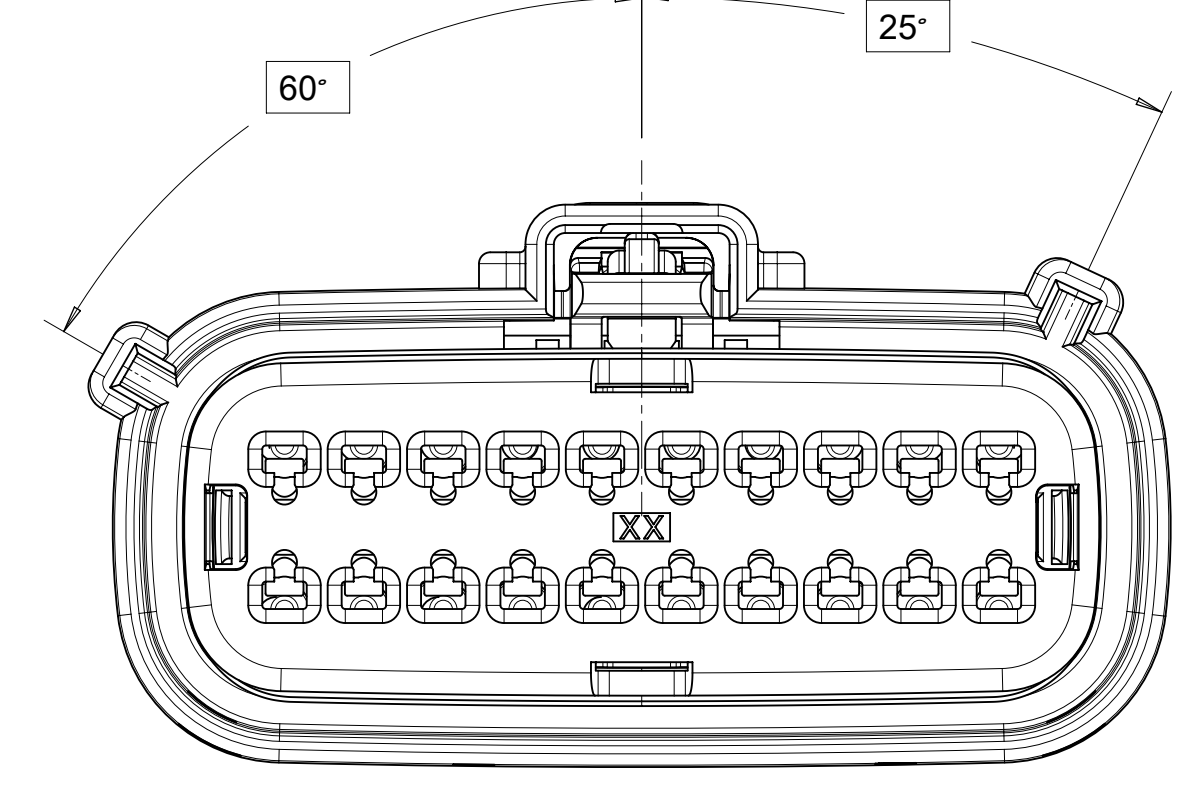


KEY D

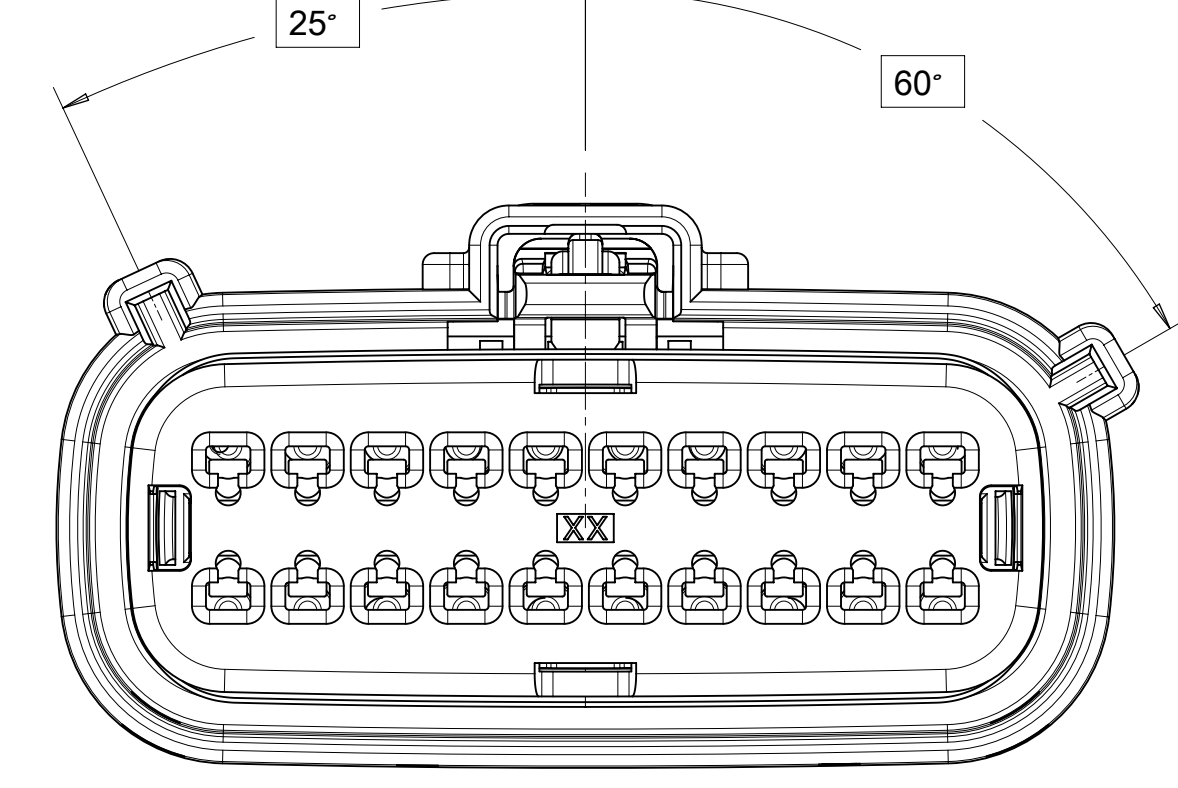
2X10



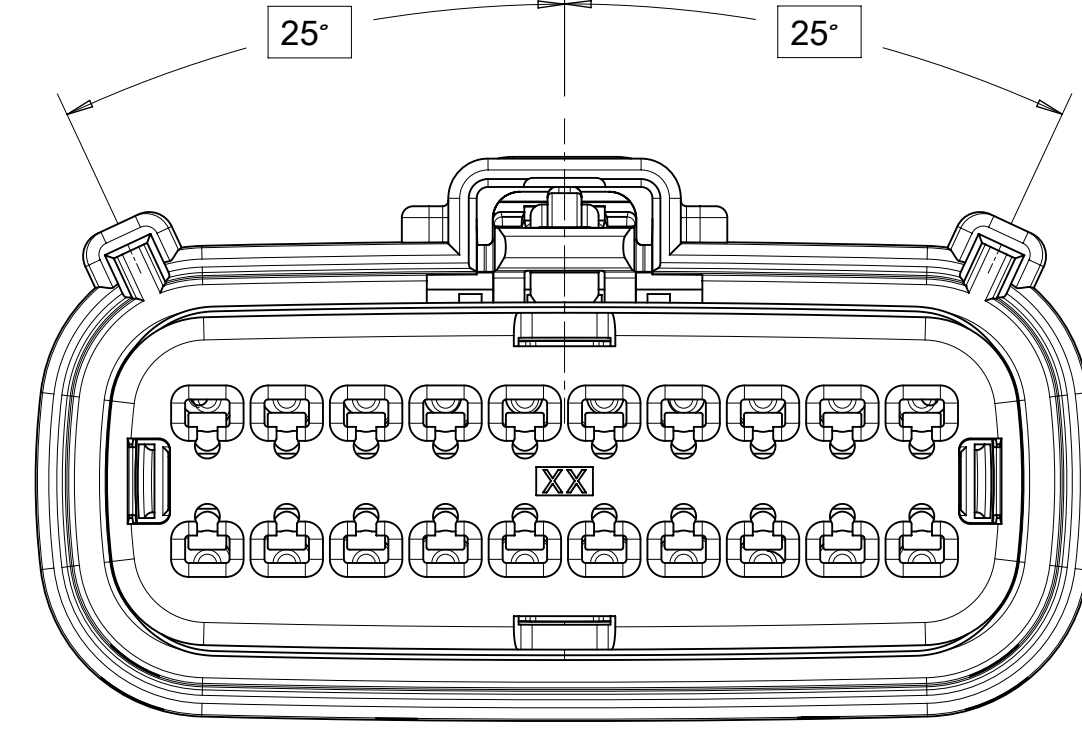
KEY A



KEY B



KEY C



KEY D

THIS DRAWING CONTAINS INFORMATION THAT IS PROPRIETARY TO MOLEX ELECTRONIC TECHNOLOGIES, LLC AND SHOULD NOT BE USED WITHOUT WRITTEN PERMISSION

SYMBOLS	DIMENSION UNITS	SCALE
	mm	1:1
	GENERAL TOLERANCES (UNLESS SPECIFIED)	
	ANGULAR TOL ± 3.0°	
	4 PLACES	±
	3 PLACES	±
	2 PLACES	± 0.1
	1 PLACE	± 0.2
	0 PLACES	±
	DRAFT WHERE APPLICABLE MUST REMAIN WITHIN DIMENSIONS	

CURRENT REV DESC:		
EC NO:	173183	
DRWN:	DDEB	2018/02/23
CHK'D:	MVANSLAMBROU	2018/03/07
APPR:	MVANSLAMBROU	2018/03/07
INITIAL REVISION:		
DRWN:	KBORUSZEWSKI	2014/02/19
APPR:	VKOSHY	2014/03/05
THIRD ANGLE PROJECTION	DRAWING	SERIES
	A1-SIZE	160008

molex

MX150 GEN 2 RECEPTACLE
DUAL ROW SEALED ASSEMBLY MAT SEAL

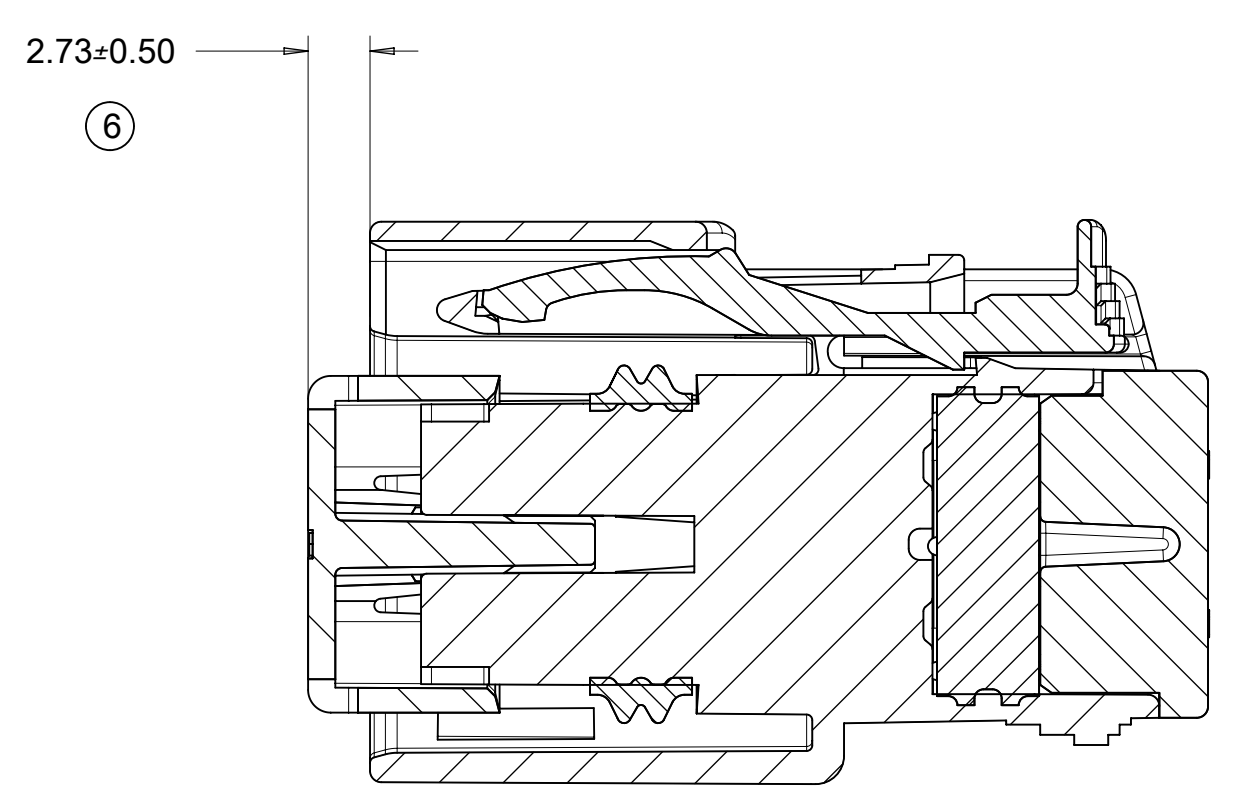
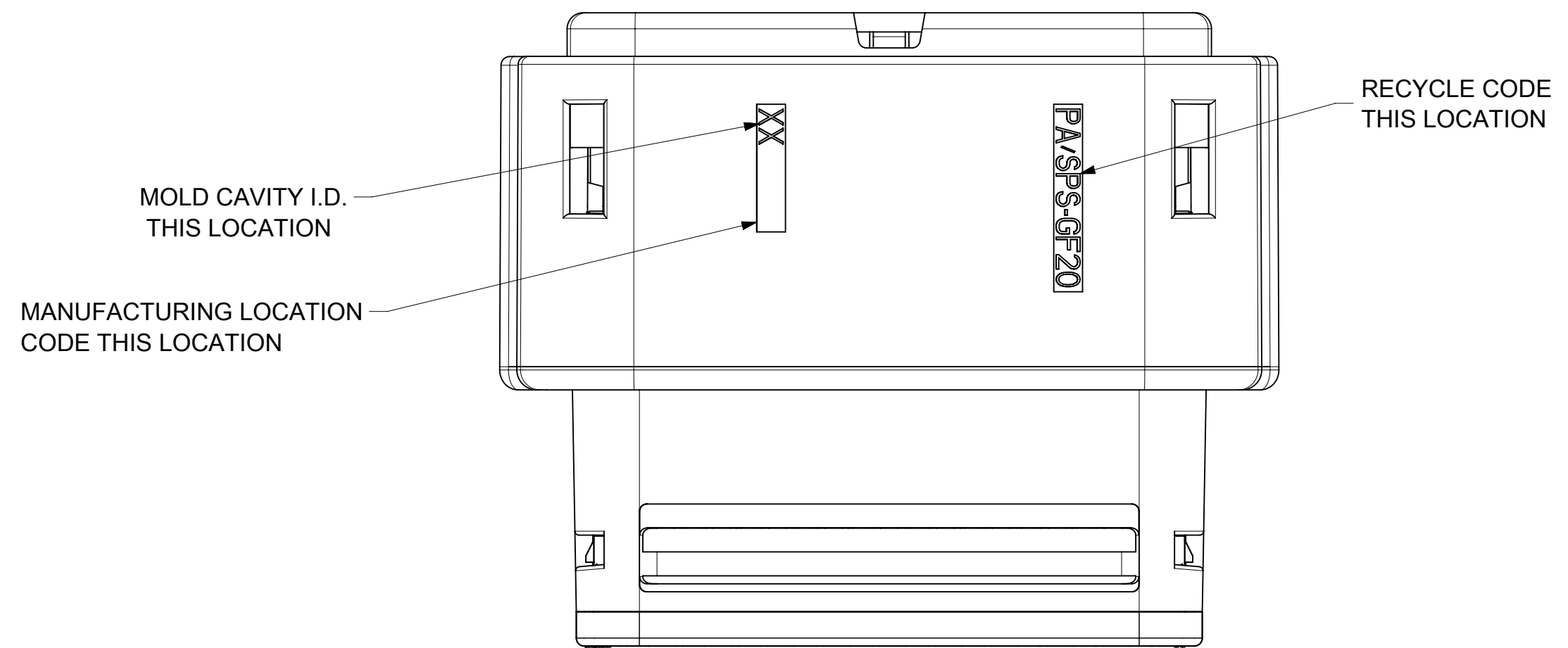
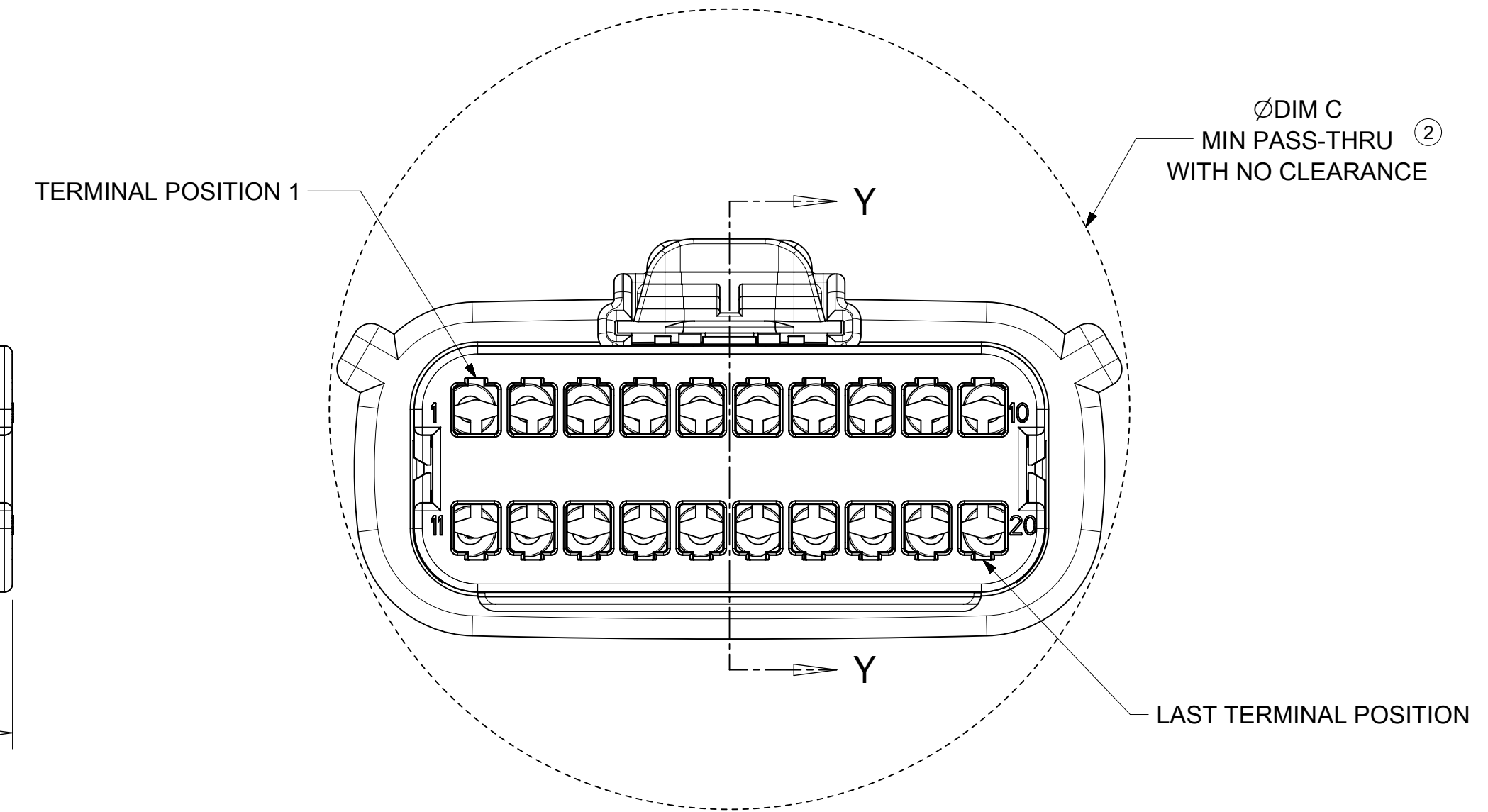
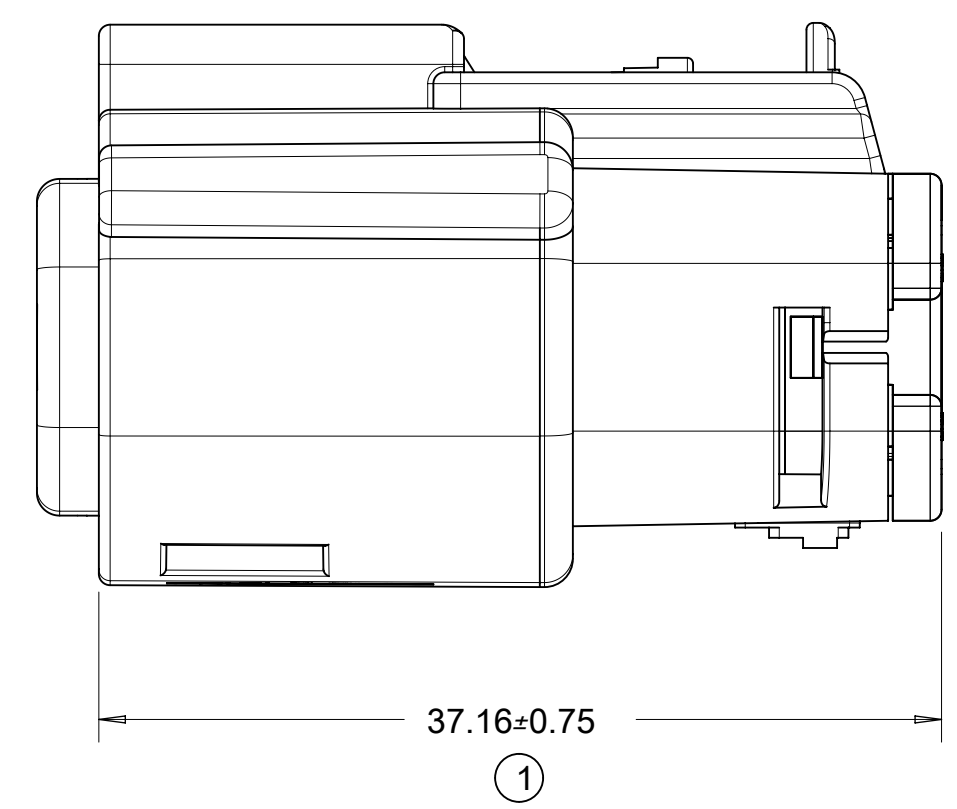
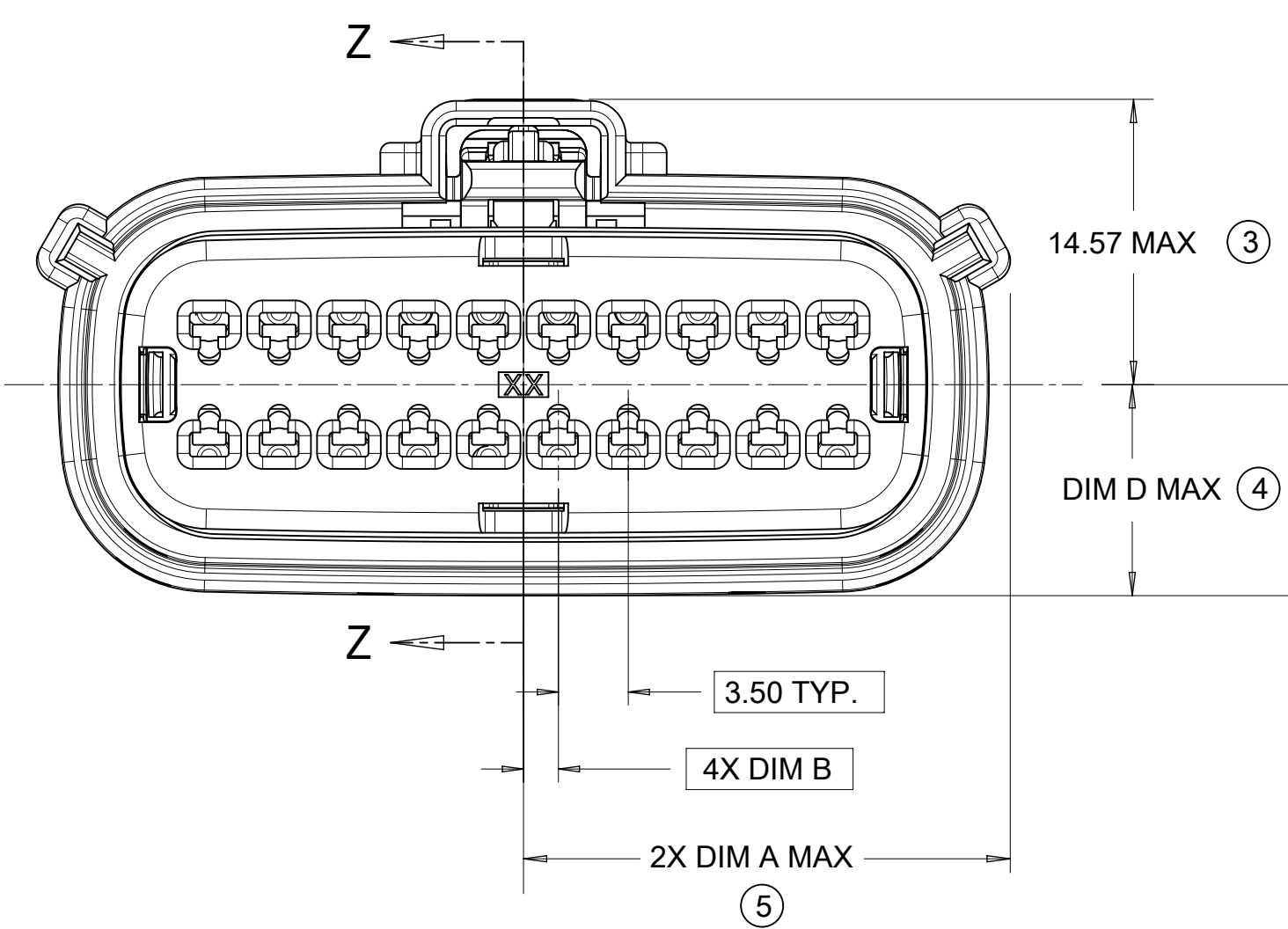
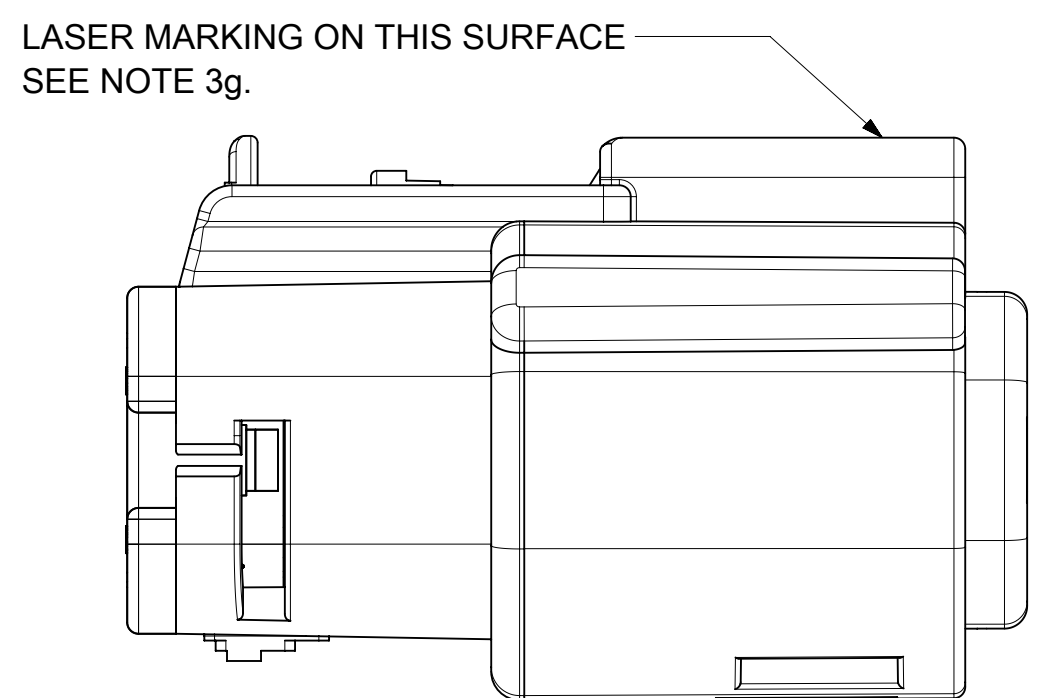
PRODUCT CUSTOMER DRAWING

DOCUMENT NUMBER	DOC TYPE	DOC PART	REVISION
SD-160008-0001	PSD	001	A6

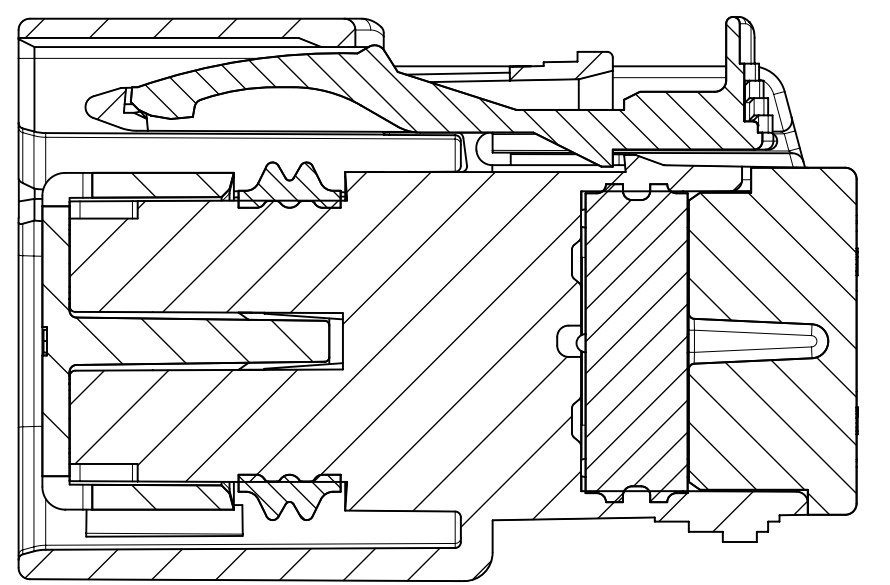
MATERIAL NUMBER	CUSTOMER	SHEET NUMBER
	GENERAL MARKET	4 OF 11

SHEET DESCRIPTION
RECEPTACLE CONNECTOR ASSEMBLY

DESCRIPTION	DIMENSIONS			
	A	B	C	D
2X2 STANDARD	TBD	TBD	TBD	TBD
2X2 W/ CLIPSLOT	TBD	TBD	TBD	TBD
2X3 STANDARD	TBD	TBD	TBD	TBD
2X3 W/ CLIPSLOT	TBD	TBD	TBD	TBD
2X4 STANDARD	14.24	1.75	29.9	10.92
2X4 W/ CLIPSLOT	14.24	1.75	31.1	13.81
2X6 STANDARD	TBD	TBD	36.3	TBD
2X6 W/ CLIPSLOT	TBD	TBD	36.3	TBD
2X8 STANDARD	TBD	TBD	TBD	TBD
2X8 W/ CLIPSLOT	TBD	TBD	TBD	TBD
2X10 STANDARD	24.75	1.75	49.8	10.92
2X10 W/ CLIPSLOT	24.75	1.75	49.8	13.81



PRIMARY LOCK REINFORCEMENT (PLR) SHOWN IN PRE-STAGED POSITION
SECTION Z-Z



PRIMARY LOCK REINFORCEMENT (PLR) SHOWN IN FINAL-LOCK POSITION
SECTION Y-Y

SYMBOLS = 0 = 0 = 0 = 0 = 0 = 0 = 0 = 0 = 0 = 0	THIS DRAWING CONTAINS INFORMATION THAT IS PROPRIETARY TO MOLEX ELECTRONIC TECHNOLOGIES, LLC AND SHOULD NOT BE USED WITHOUT WRITTEN PERMISSION		SCALE 1:1		CURRENT REV DESC: EC NO: 173183 DRWN: DDEB 2018/02/23 CHK'D: MVANSLAMBROU 2018/03/07 APPR: MVANSLAMBROU 2018/03/07		 MX150 GEN 2 RECEPTACLE DUAL ROW SEALED ASSEMBLY MAT SEAL			
	GENERAL TOLERANCES (UNLESS SPECIFIED) ANGULAR TOL ± 3.0°		INITIAL REVISION: DRWN: KBORUSZEWSKI 2014/02/19 APPR: VKOSHY 2014/03/05		PRODUCT CUSTOMER DRAWING					
	4 PLACES ± 3 PLACES ± 2 PLACES ± 0.1 1 PLACE ± 0.2 0 PLACES ±		DRAFT WHERE APPLICABLE MUST REMAIN WITHIN DIMENSIONS		THIRD ANGLE PROJECTION		DRAWING SERIES A1-SIZE 160008		DOCUMENT NUMBER SD-160008-0001	
					MATERIAL NUMBER CUSTOMER GENERAL MARKET		DOC TYPE DOC PART REVISION PSD 001 A6		SHEET NUMBER 5 OF 11	

DOCUMENT STATUS	P1	RELEASE DATE	2018/03/07	14:06:48
-----------------	----	--------------	------------	----------

SHEET DESCRIPTION
BACKSHELL NOTES

BACKSHELL NOTES: VALID UNLESS OTHERWISE SPECIFIED

1. GENERAL:
a. APPLICATION SPECIFICATION SEE: AS-34951-001
-DESIGNED TO MATE WITH RECEPTACLE SEALED ASSEMBLY
-SPECIFIED IN MOLEX DRAWING SD-33472-0001
-SYSTEM TO BE USED WITH WIRE WITHIN DIAMETER RANGE OF 1.2mm TO 2.69mm
-COMPONENTS ARE OPTIONAL AND MUST BE PURCHASED SEPERATELY
-DESIGN IS OWNED BY SCHLEMMER FOR SCHLEMMER BACKSHELL.
-DESIGN IS OWNED BY MOLEX FOR MOLEX BACKSHELL.
-90° ADAPTOR DESIGN IS OWNED BY MOLEX.
-FOR ADDITIONAL INFORMATION SEE THE BACKSHELL COMPONENT DRAWING SD-34951-0001

BACKSHELL CUSTOMER MODEL NUMBER LEGEND

34951-XXXX

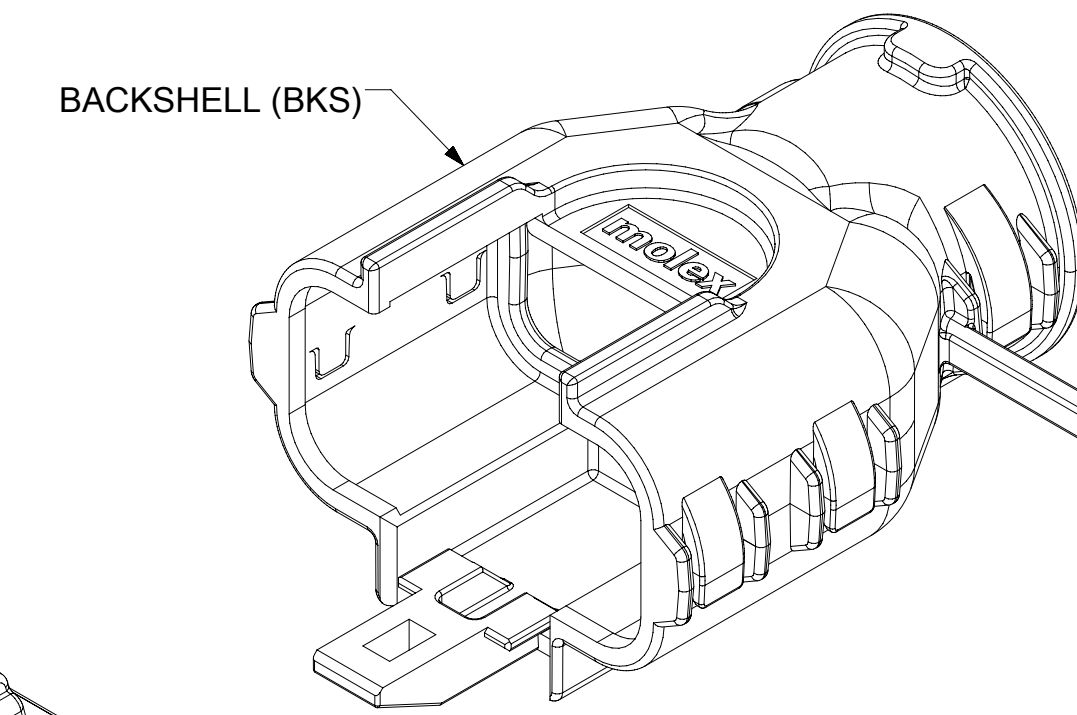
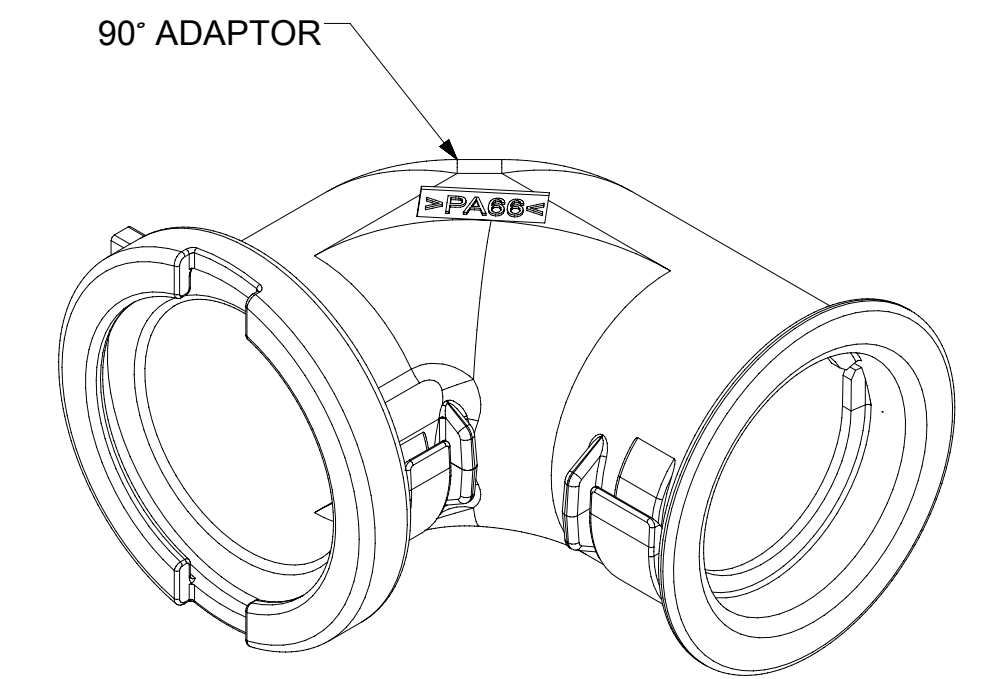
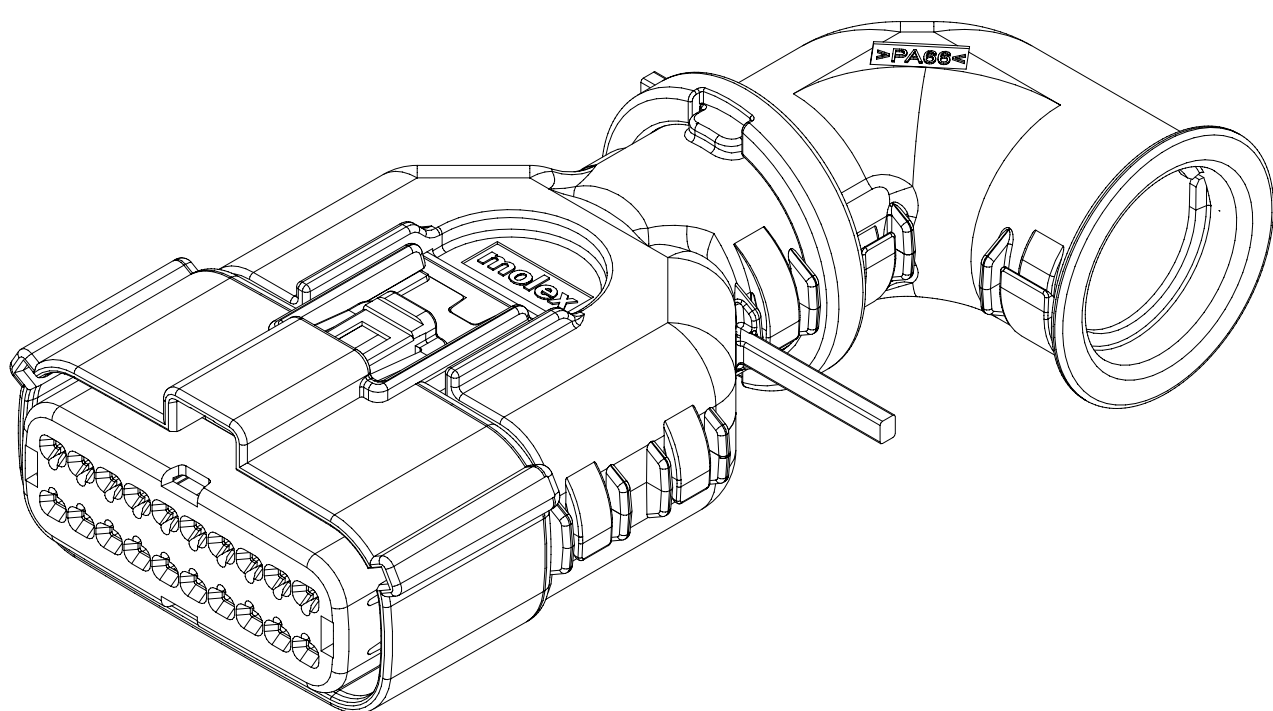
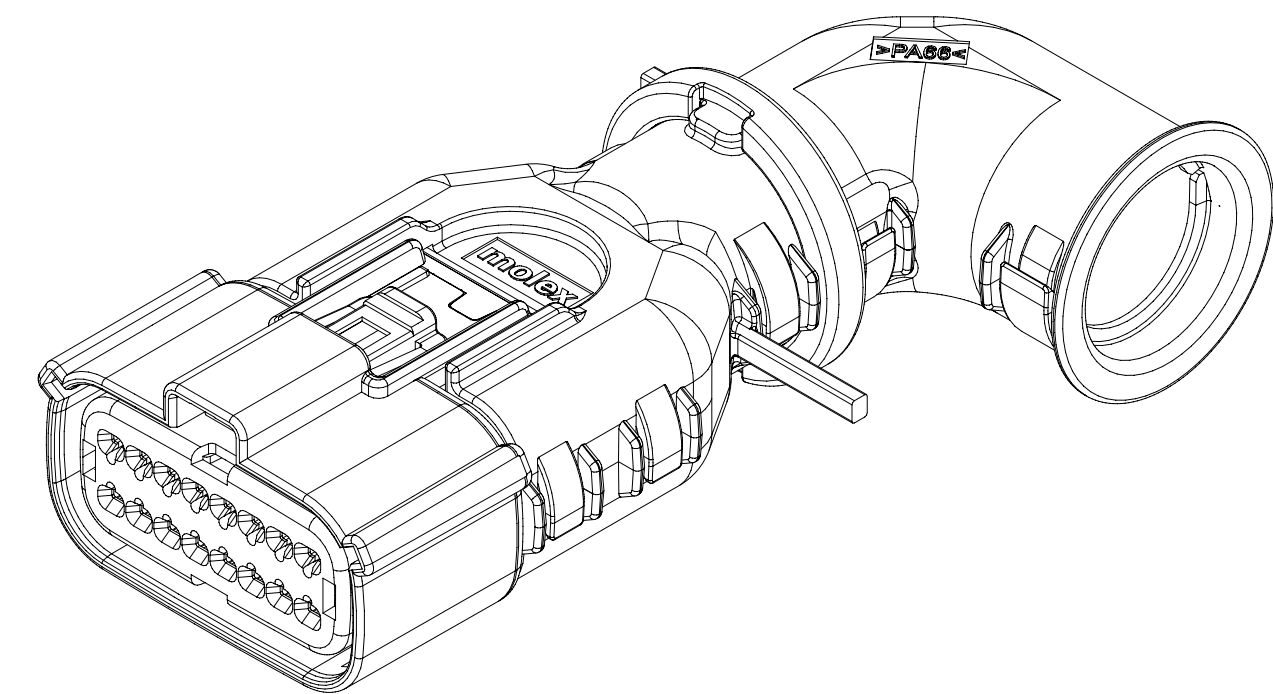
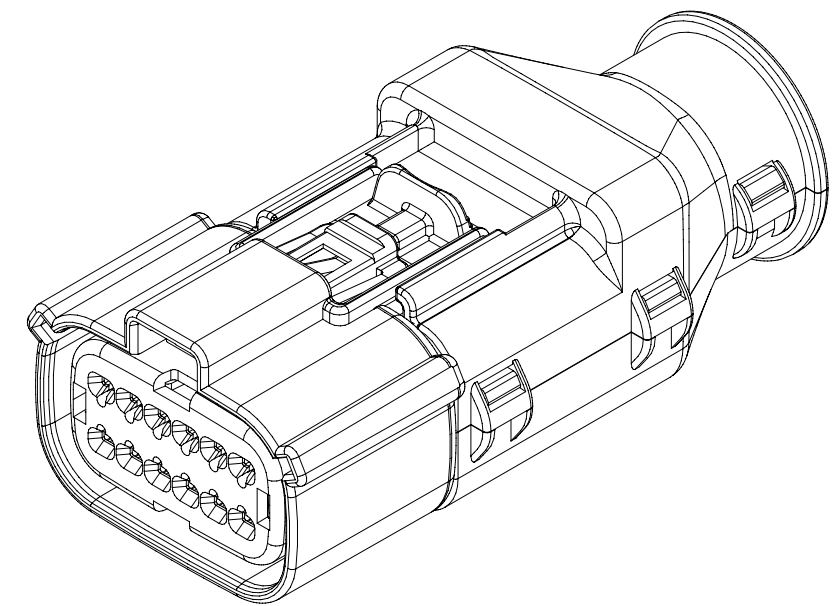
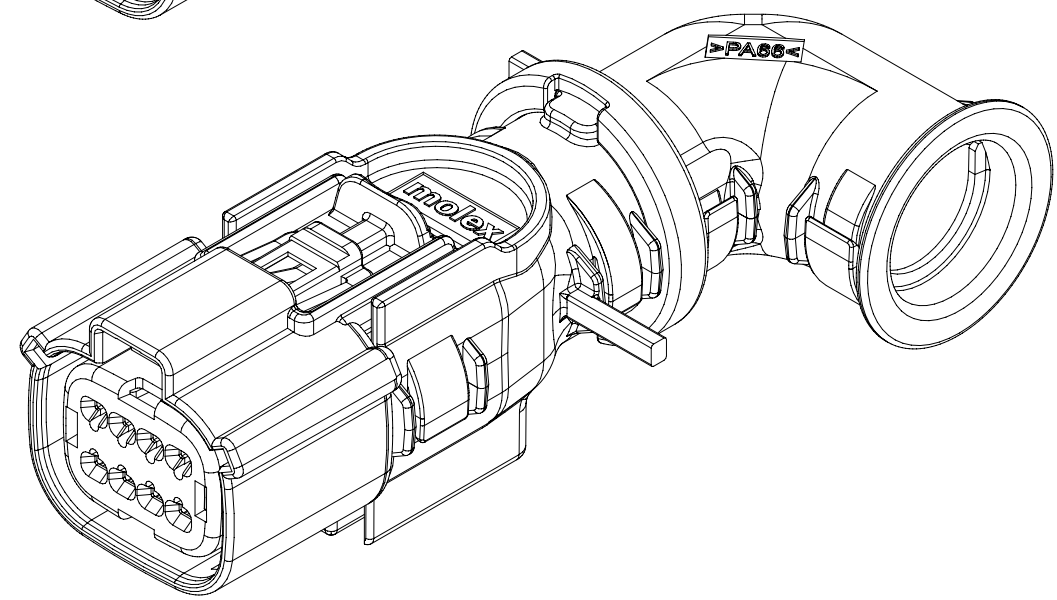
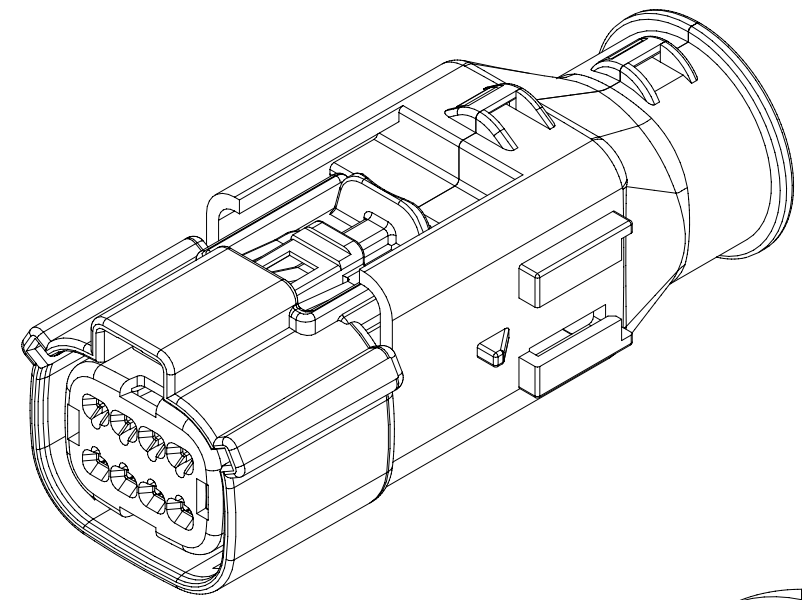
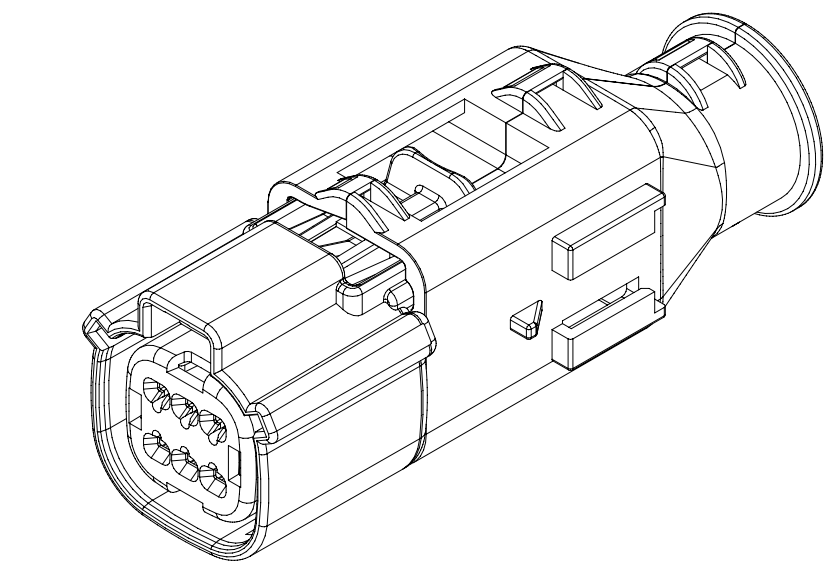
CUSTOMER MODEL COMPONENTS

- 0 - SCHLEMMER BACKSHELL ONLY
- 1 - SCHLEMMER BACKSHELL & MX150 HOUSING KEY A ASSEMBLY
- 2 - SCHLEMMER BACKSHELL & MX150 HOUSING KEY B ASSEMBLY
- 3 - SCHLEMMER BACKSHELL & MX150 HOUSING KEY C ASSEMBLY
- 4 - SCHLEMMER BACKSHELL & MX150 HOUSING KEY D ASSEMBLY
- 5 - MOLEX BACKSHELL ONLY
- 6 - MOLEX BACKSHELL & MX150 HOUSING KEY A ASSEMBLY
- 7 - MOLEX BACKSHELL & MX150 HOUSING KEY B ASSEMBLY
- 8 - MOLEX BACKSHELL & MX150 HOUSING KEY C ASSEMBLY
- 9 - MOLEX BACKSHELL & MX150 HOUSING KEY D ASSEMBLY

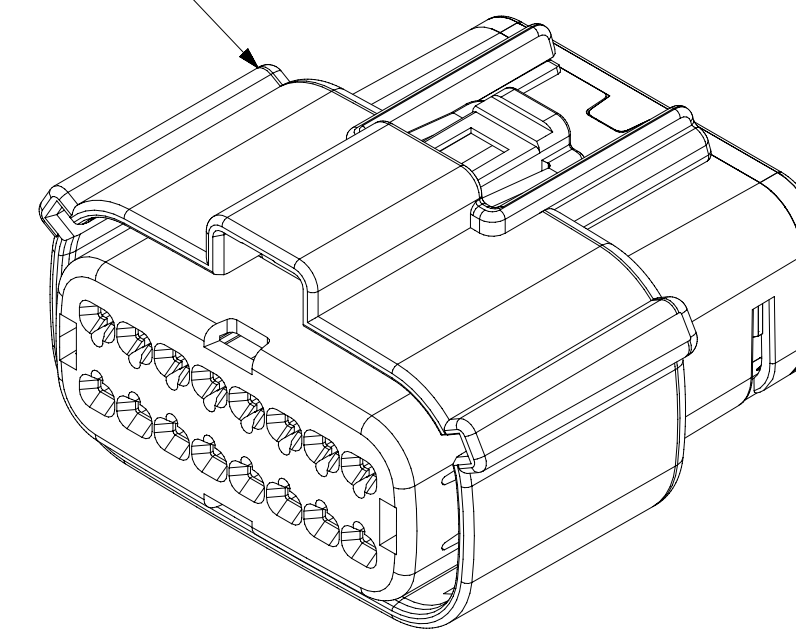
BACKSHELL FEATURES

- 1 - WITH RIBS
- 2 - WITHOUT RIBS
- 3 - 90° ADAPTOR

MX150 CIRCUIT SIZE 04, 06, 08, 12, 16, 20



RECEPTACLE SEALED ASSEMBLY



SCALE 2:1

SYMBOLS	THIS DRAWING CONTAINS INFORMATION THAT IS PROPRIETARY TO MOLEX ELECTRONIC TECHNOLOGIES, LLC AND SHOULD NOT BE USED WITHOUT WRITTEN PERMISSION		CURRENT REV DESC:		
DIMENSION UNITS	SCALE				
▽ = 0	mm	1:1			
▽ = 0	GENERAL TOLERANCES (UNLESS SPECIFIED)				
▽ = 0	ANGULAR TOL ± 3.0°				
▽ = 0	4 PLACES	±	EC NO: 173183		
▽ = 0	3 PLACES	±	DRWN: DDEB 2018/02/23		
▽ = 0	2 PLACES	± 0.1	CHK'D: MVANSLAMBROU 2018/03/07		
▽ = 0	1 PLACE	± 0.2	APPR: MVANSLAMBROU 2018/03/07		
▽ = 0	0 PLACES	±	INITIAL REVISION:		
▽ = 0	DRAFT WHERE APPLICABLE MUST REMAIN WITHIN DIMENSIONS		DRWN: KBORUSZEWSKI 2014/02/19		
▽ = 0	THIRD ANGLE PROJECTION		APPR: VKOSHY 2014/03/05		
		DRAWING	SERIES	DOCUMENT NUMBER	
		A1-SIZE	160008	SD-160008-0001	
		MATERIAL NUMBER		CUSTOMER	SHEET NUMBER
				GENERAL MARKET	6 OF 11

molex

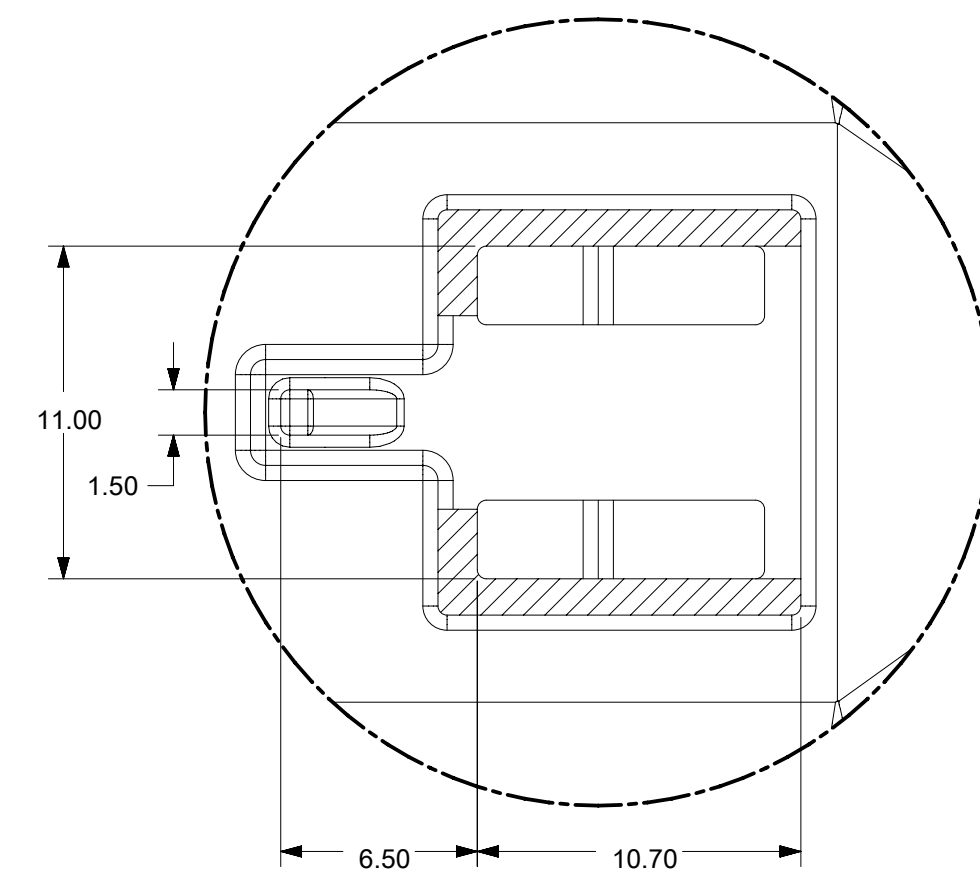
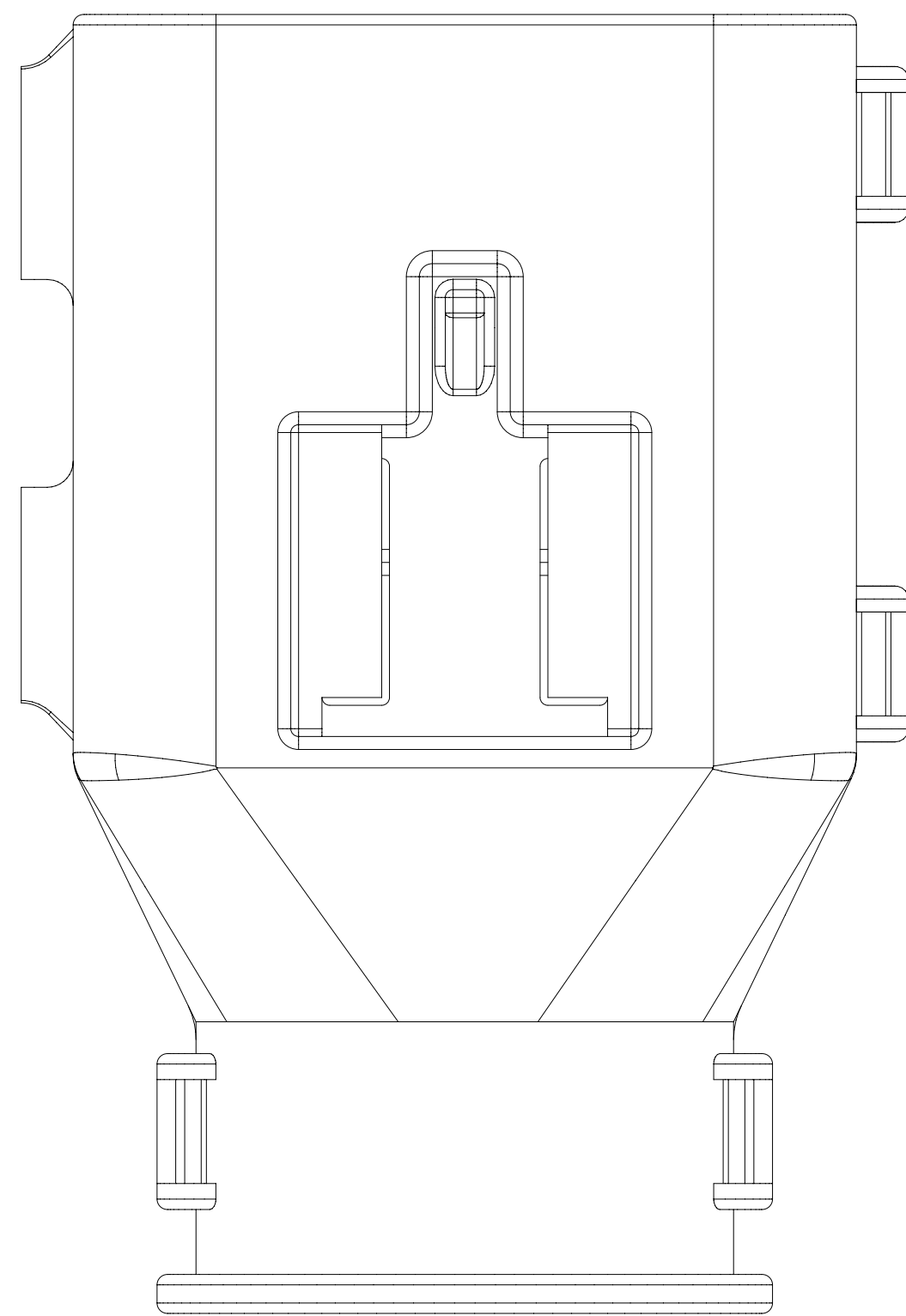
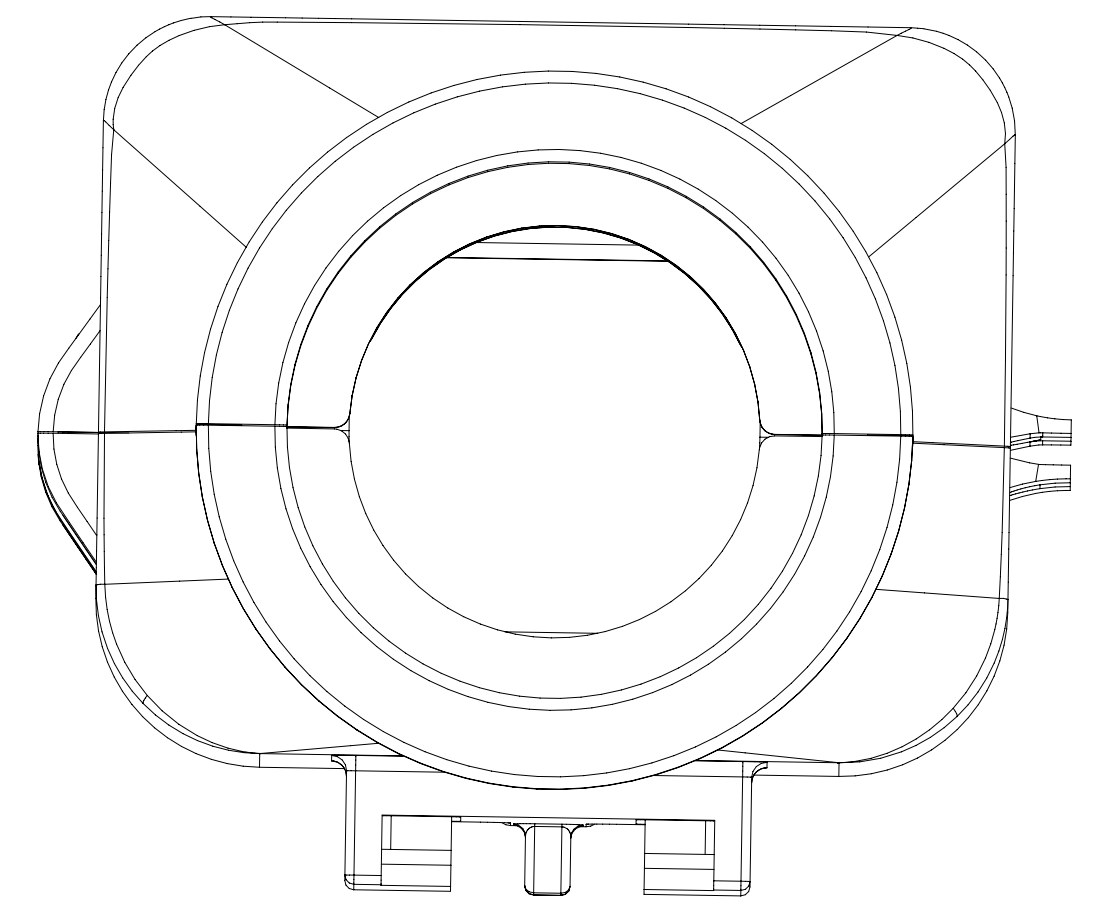
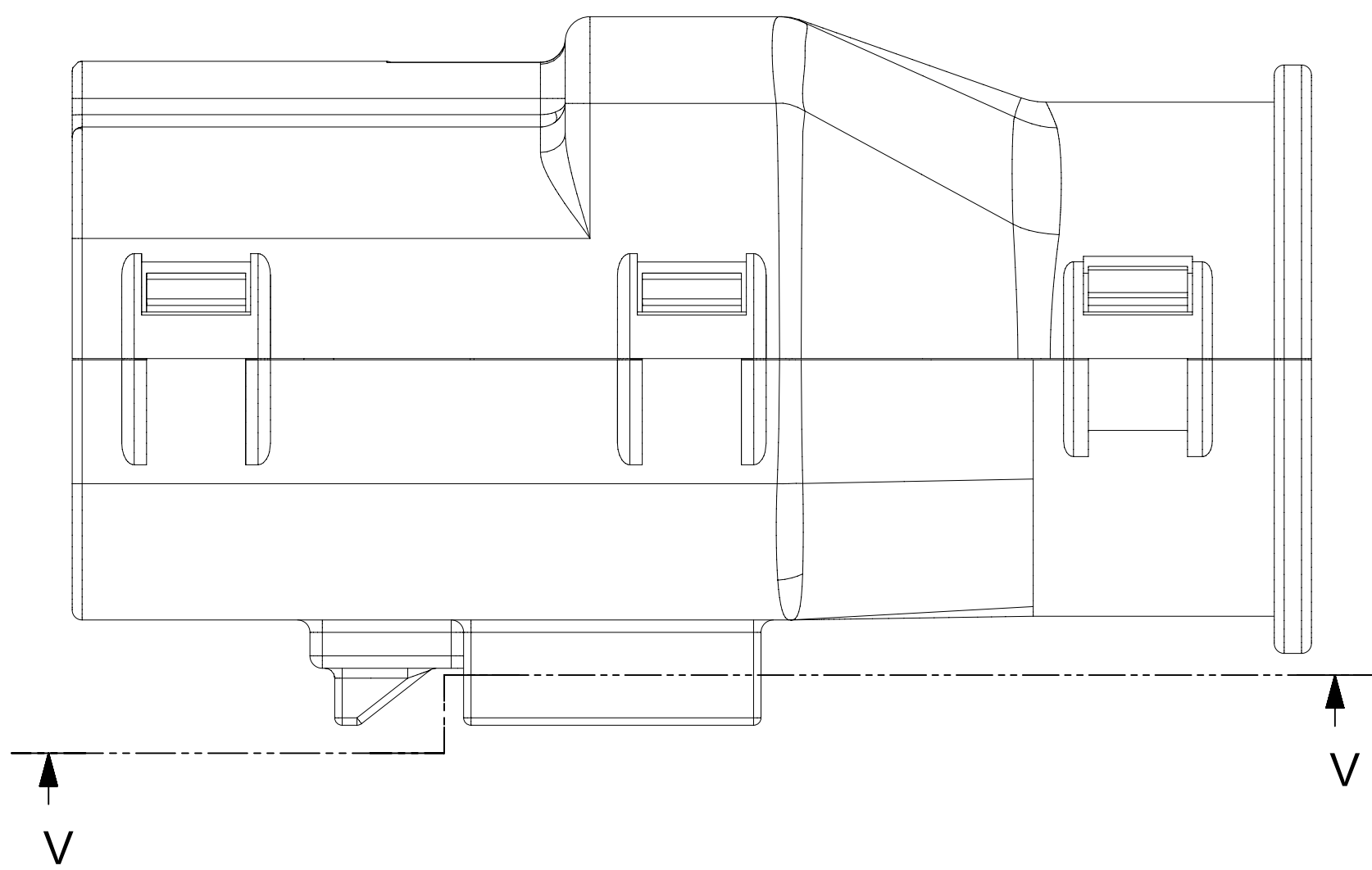
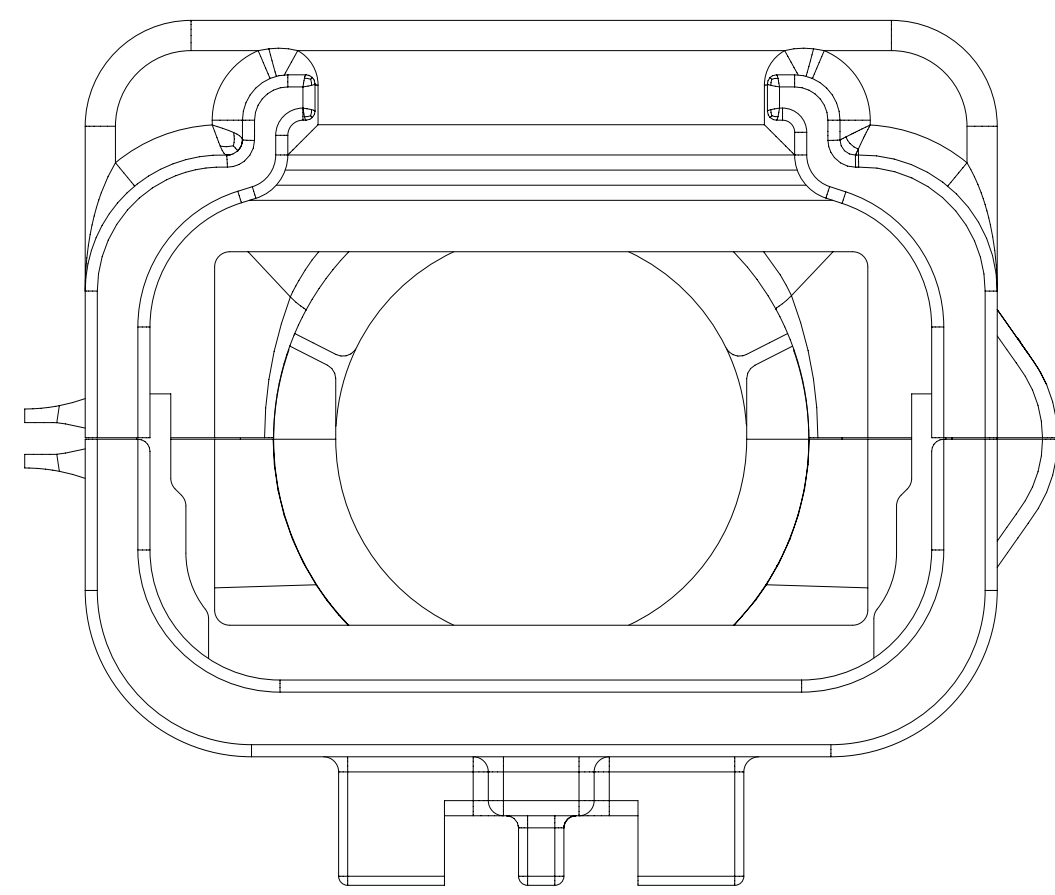
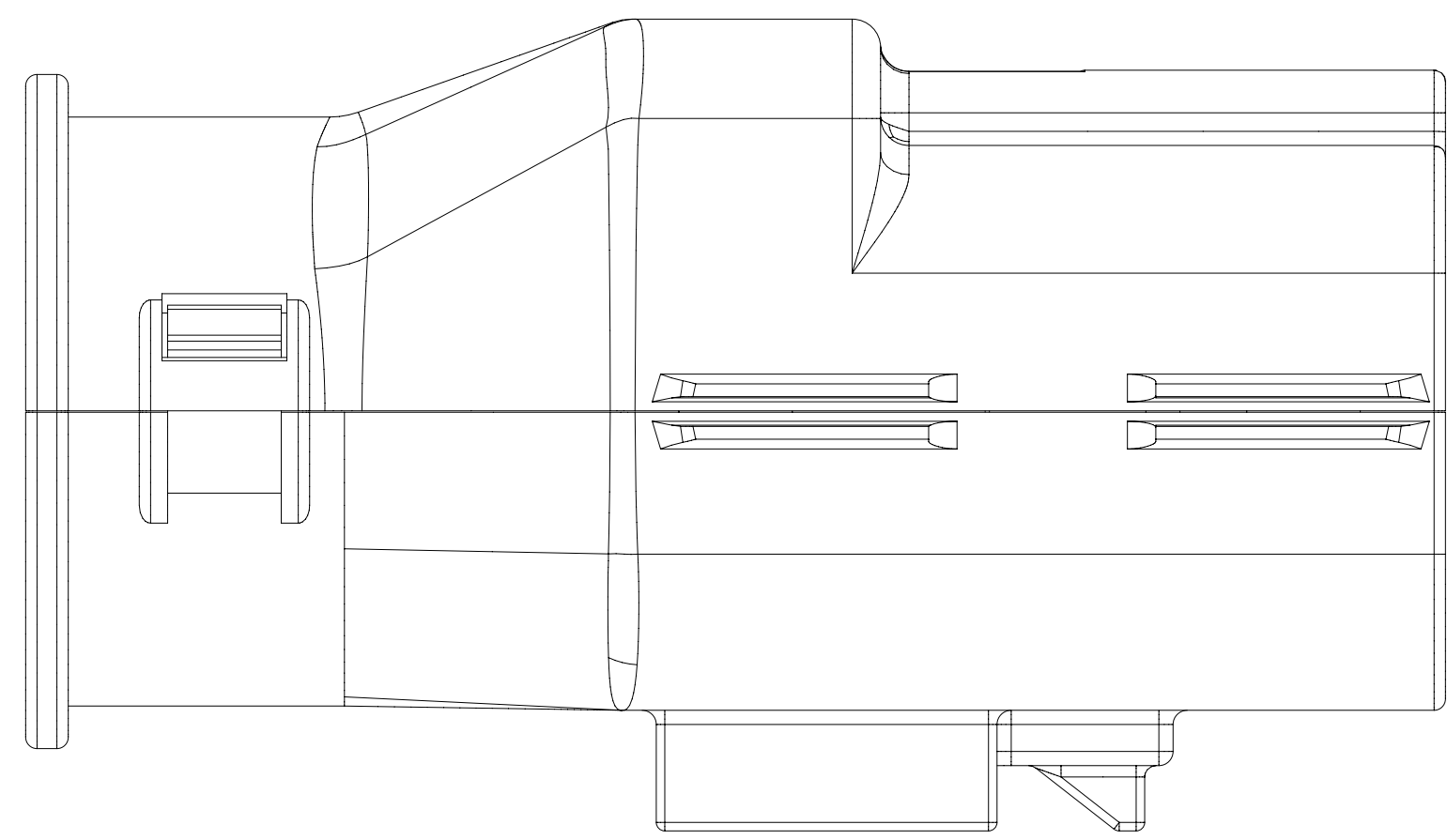
MX150 GEN 2 RECEPTACLE
DUAL ROW SEALED ASSEMBLY MAT SEAL

PRODUCT CUSTOMER DRAWING

DOCUMENT NUMBER: SD-160008-0001
DOC TYPE: PSD
DOC PART: 001
REVISION: A6

MATERIAL NUMBER: GENERAL MARKET
CUSTOMER: GENERAL MARKET
SHEET NUMBER: 6 OF 11

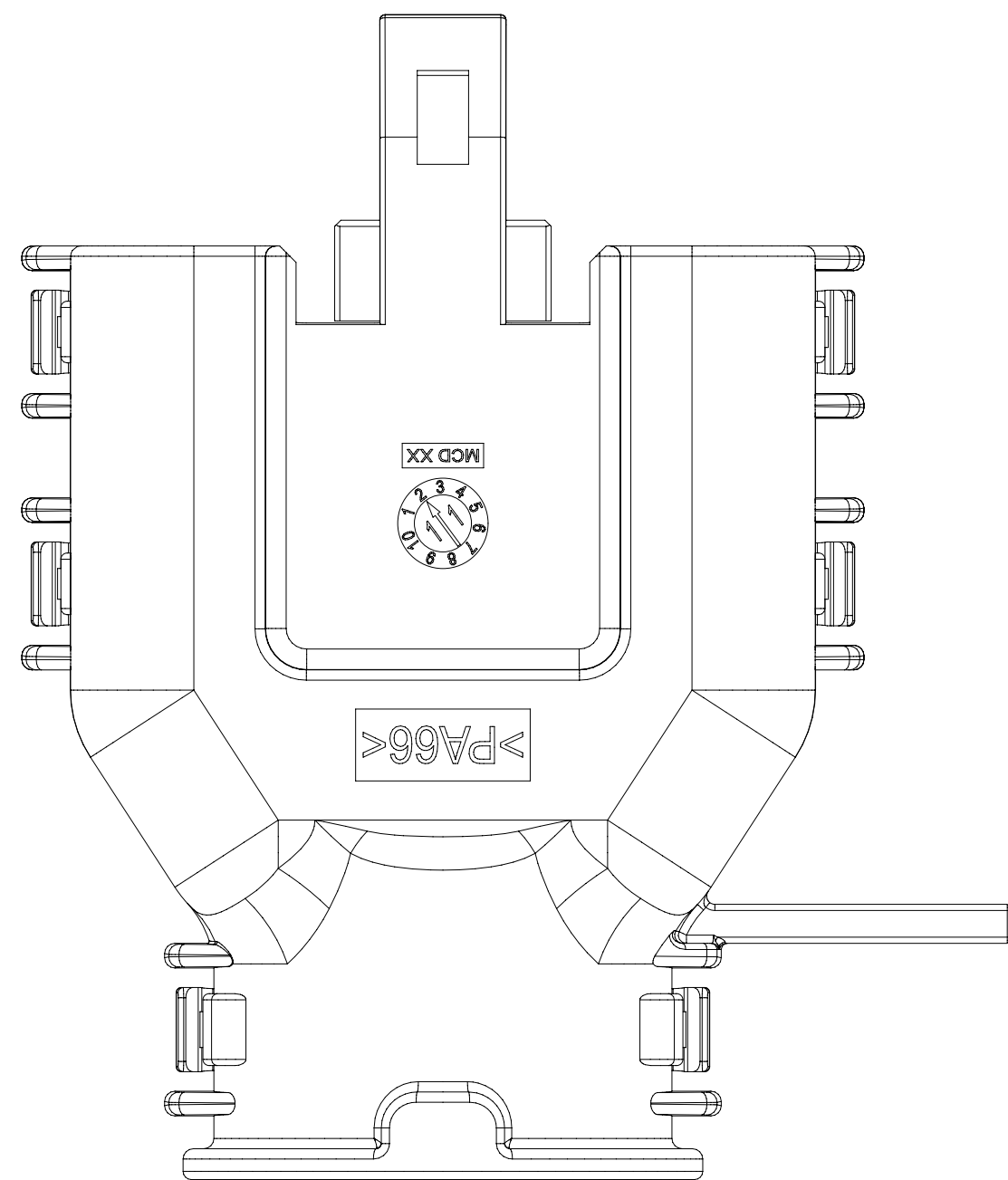
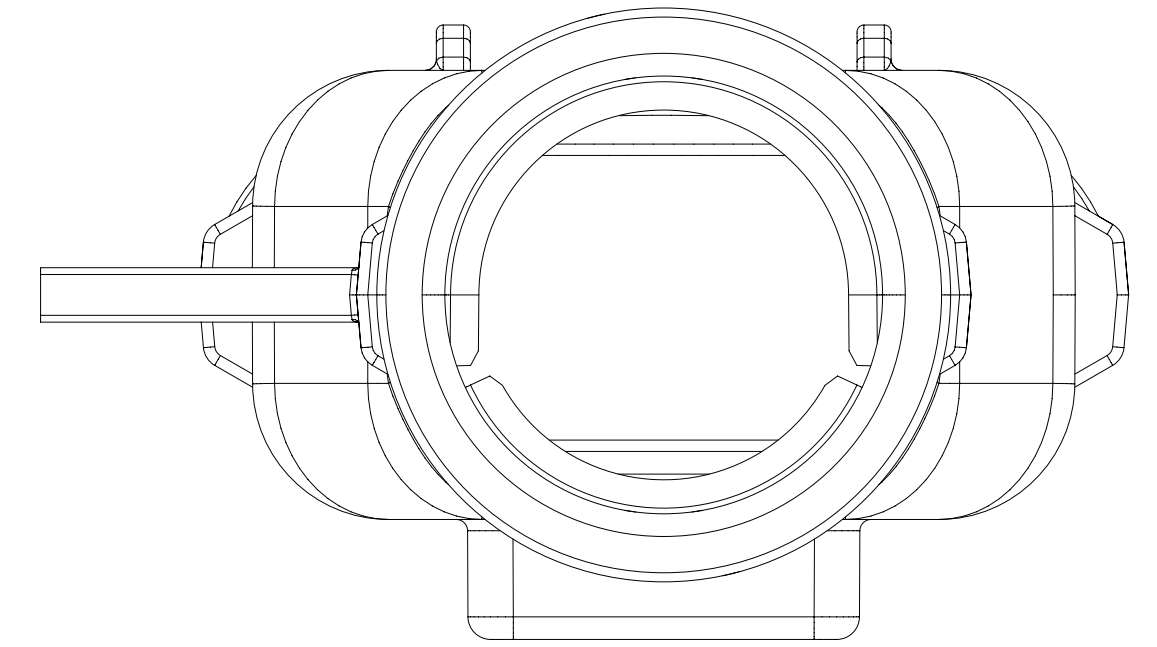
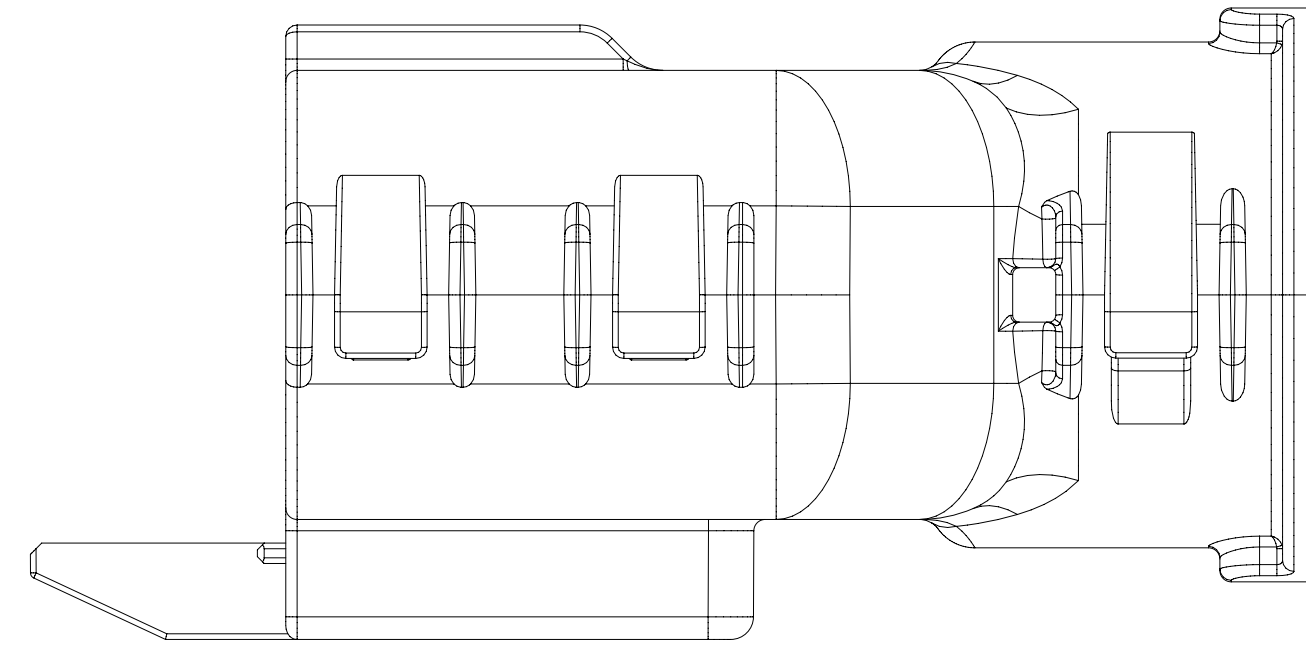
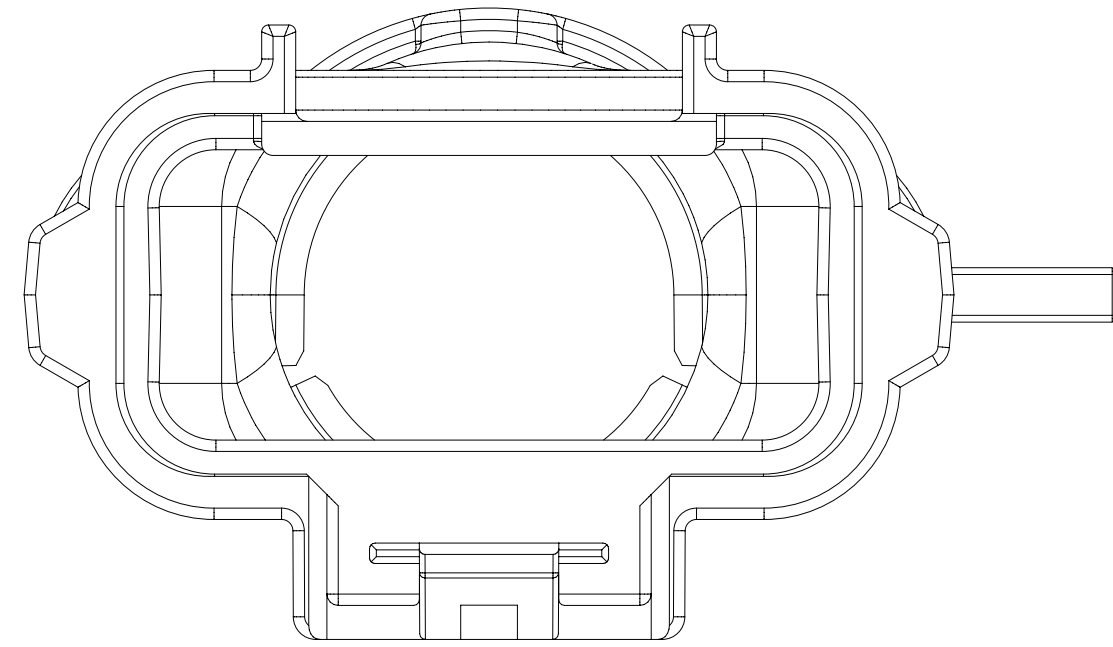
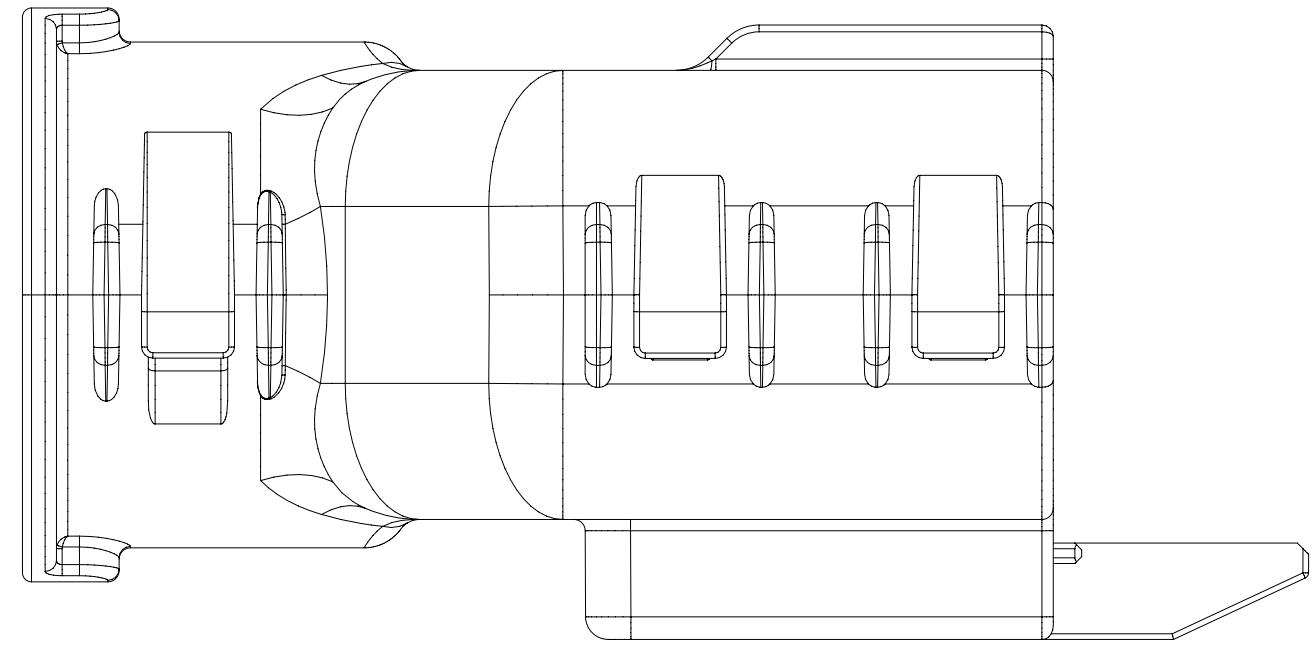
SHEET DESCRIPTION
SCHLEMMER BACKSHELL



Partial V-V
SCALE 4:1

SYMBOLS = 0 = 0 = 0 = 0 = 0 = 0 = 0 = 0 = 0 = 0	THIS DRAWING CONTAINS INFORMATION THAT IS PROPRIETARY TO MOLEX ELECTRONIC TECHNOLOGIES, LLC AND SHOULD NOT BE USED WITHOUT WRITTEN PERMISSION		CURRENT REV DESC: EC NO: 173183 DRWN: DDEB 2018/02/23 CHK'D: MVANSLAMBROU 2018/03/07 APPR: MVANSLAMBROU 2018/03/07			 MX150 GEN 2 RECEPTACLE DUAL ROW SEALED ASSEMBLY MAT SEAL			
	DIMENSION UNITS	SCALE							PRODUCT CUSTOMER DRAWING
	mm	1:1	GENERAL TOLERANCES (UNLESS SPECIFIED)			DOCUMENT NUMBER	DOC TYPE	DOC PART	REVISION
	ANGULAR TOL	± 3.0°	INITIAL REVISION:			SD-160008-0001	PSD	001	A6
	4 PLACES	±	DRWN: KBORUSZEWSKI 2014/02/19	MATERIAL NUMBER					
	3 PLACES	±	APPR: VKOSHY 2014/03/05	SERIES		GENERAL MARKET	7 OF 11		
	2 PLACES	± 0.1	DRAFT WHERE APPLICABLE MUST REMAIN WITHIN DIMENSIONS		THIRD ANGLE PROJECTION	DRAWING		A1-SIZE	
	1 PLACE	± 0.2				DRAWING		160008	
	0 PLACES	±				DRAWING		160008	
						DRAWING		160008	
					DRAWING		160008		

SHEET DESCRIPTION
MOLEX BACKSHELL



SYMBOLS	THIS DRAWING CONTAINS INFORMATION THAT IS PROPRIETARY TO MOLEX ELECTRONIC TECHNOLOGIES, LLC AND SHOULD NOT BE USED WITHOUT WRITTEN PERMISSION		
	DIMENSION UNITS	SCALE	CURRENT REV DESC:
= 0	mm	1:1	EC NO: 173183 DRWN: DDEB 2018/02/23 CHK'D: MVANSLAMBROU 2018/03/07 APPR: MVANSLAMBROU 2018/03/07
= 0	GENERAL TOLERANCES (UNLESS SPECIFIED)		
= 0	ANGULAR TOL ± 3.0°		INITIAL REVISION: DRWN: KBORUSZEWSKI 2014/02/19 APPR: VKOSHY 2014/03/05
= 0	4 PLACES	±	
= 0	3 PLACES	±	DOCUMENT NUMBER: SD-160008-0001 DOC TYPE: PSD DOC PART: 001 REVISION: A6
= 0	2 PLACES	± 0.1	
= 0	1 PLACE	± 0.2	MATERIAL NUMBER: 160008 CUSTOMER: GENERAL MARKET SHEET NUMBER: 8 OF 11
= 0	0 PLACES	±	
= 0	DRAFT WHERE APPLICABLE MUST REMAIN WITHIN DIMENSIONS		THIRD ANGLE PROJECTION
= 0			DRAWING: A1-SIZE SERIES: 160008

molex

MX150 GEN 2 RECEPTACLE
DUAL ROW SEALED ASSEMBLY MAT SEAL

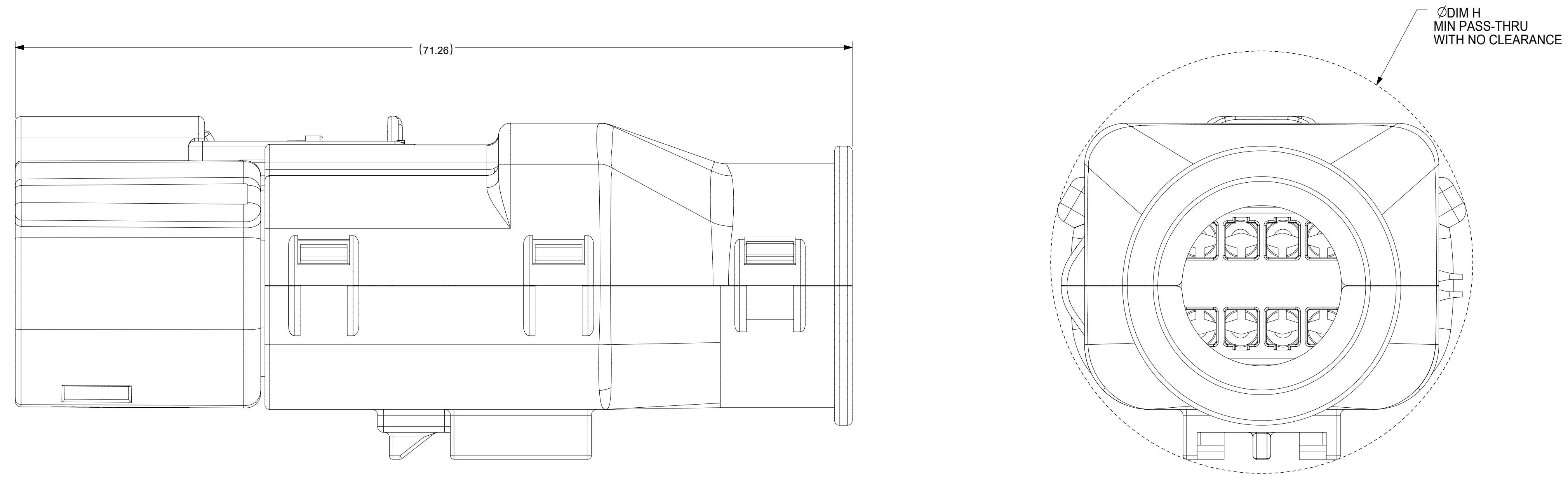
PRODUCT CUSTOMER DRAWING

DOCUMENT NUMBER: SD-160008-0001
DOC TYPE: PSD
DOC PART: 001
REVISION: A6

MATERIAL NUMBER: 160008
CUSTOMER: GENERAL MARKET
SHEET NUMBER: 8 OF 11

SHEET DESCRIPTION	
SCHLEMMER BACKSHELL CONFIGURATIONS	

CHARTED DIMENSION	
DESCRIPTION	DIMENSIONS
	H
2X3 STANDARD	N/A
2X3 W/O CLIPSLOT	28.50
2X4 W/ CLIPSLOT	N/A
2X4 W/O CLIPSLOT	N/A
2X6 STANDARD	N/A
2X6 W/O CLIPSLOT	35.83



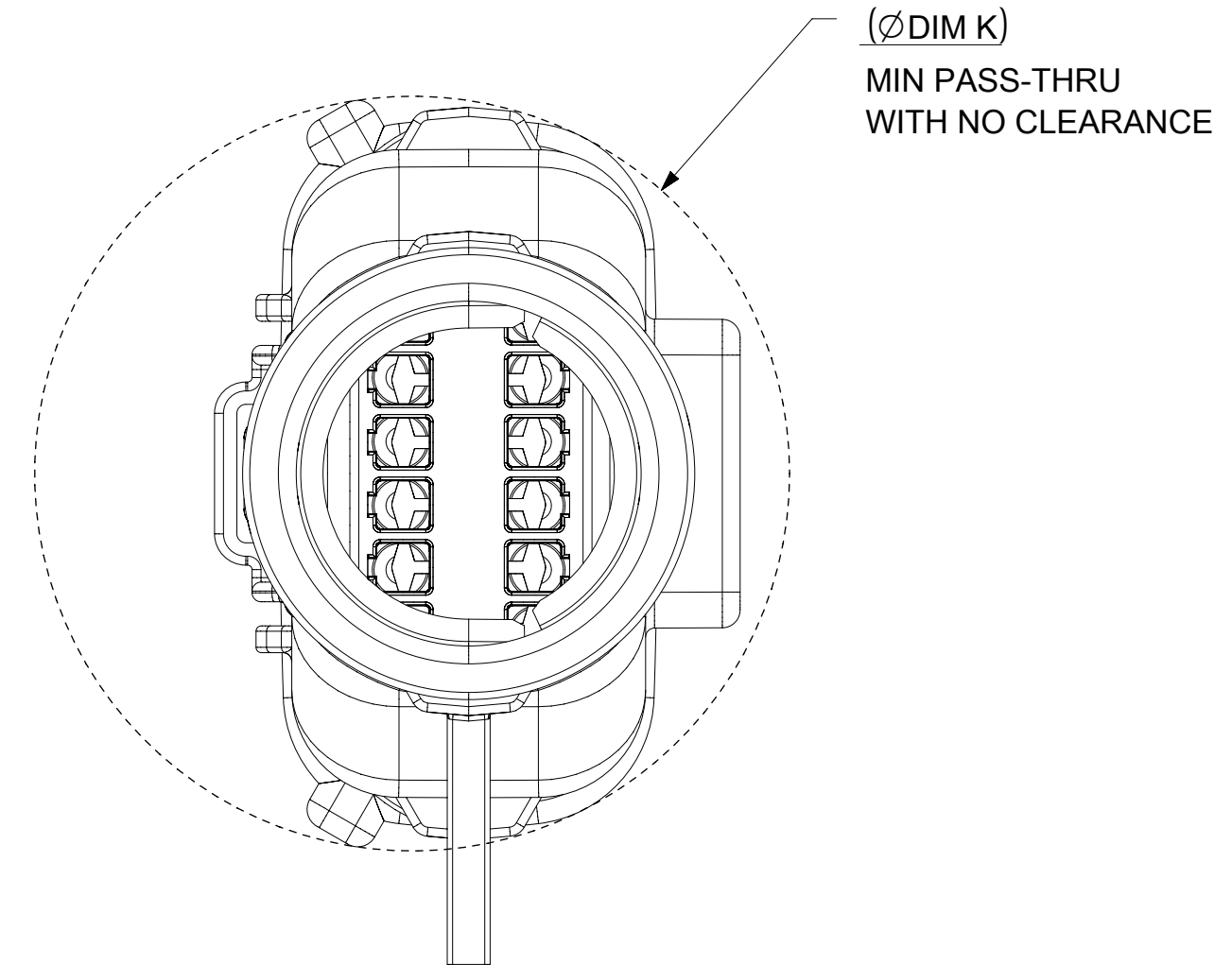
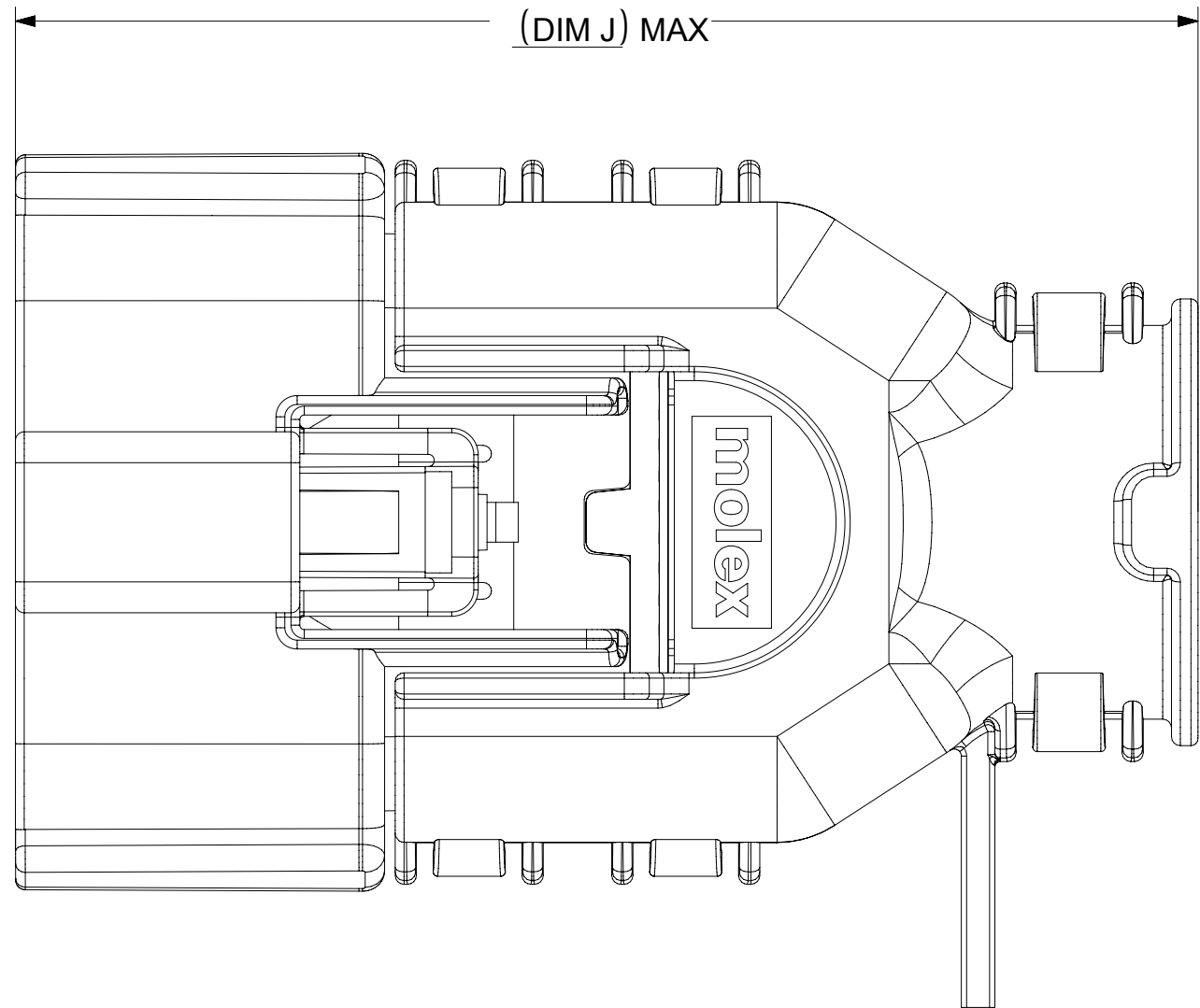
RECEPTACLE SEALED ASSEMBLY WITH RECEPTACLE BACKSHELL

SYMBOLS	THIS DRAWING CONTAINS INFORMATION THAT IS PROPRIETARY TO MOLEX ELECTRONIC TECHNOLOGIES, LLC AND SHOULD NOT BE USED WITHOUT WRITTEN PERMISSION		CURRENT REV DESC:								
	DIMENSION UNITS	SCALE									
▽ = 0	mm	1:1				MX150 GEN 2 RECEPTACLE DUAL ROW SEALED ASSEMBLY MAT SEAL					
▽ = 0	GENERAL TOLERANCES (UNLESS SPECIFIED)		EC NO: 173183						DOCUMENT NUMBER: SD-160008-0001 DOC TYPE: PSD DOC PART: 001 REVISION: A6		
▽ = 0	ANGULAR TOL ± 3.0°		DRWN: DDEB 2018/02/23								
▽ = 0	4 PLACES ±		CHK'D: MVANSLAMBROU 2018/03/07								
▽ = 0	3 PLACES ±		APPR: MVANSLAMBROU 2018/03/07			INITIAL REVISION:					
▽ = 0	2 PLACES ± 0.1		DRWN: KBORUSZEWSKI 2014/02/19						MATERIAL NUMBER: SD-160008-0001 CUSTOMER: GENERAL MARKET SHEET NUMBER: 9 OF 11		
▽ = 0	1 PLACE ± 0.2		APPR: VKOSHY 2014/03/05			THIRD ANGLE PROJECTION: DRAWING: A1-SIZE SERIES: 160008					
☒ = 0	0 PLACES ±		DRAFT WHERE APPLICABLE MUST REMAIN WITHIN DIMENSIONS								

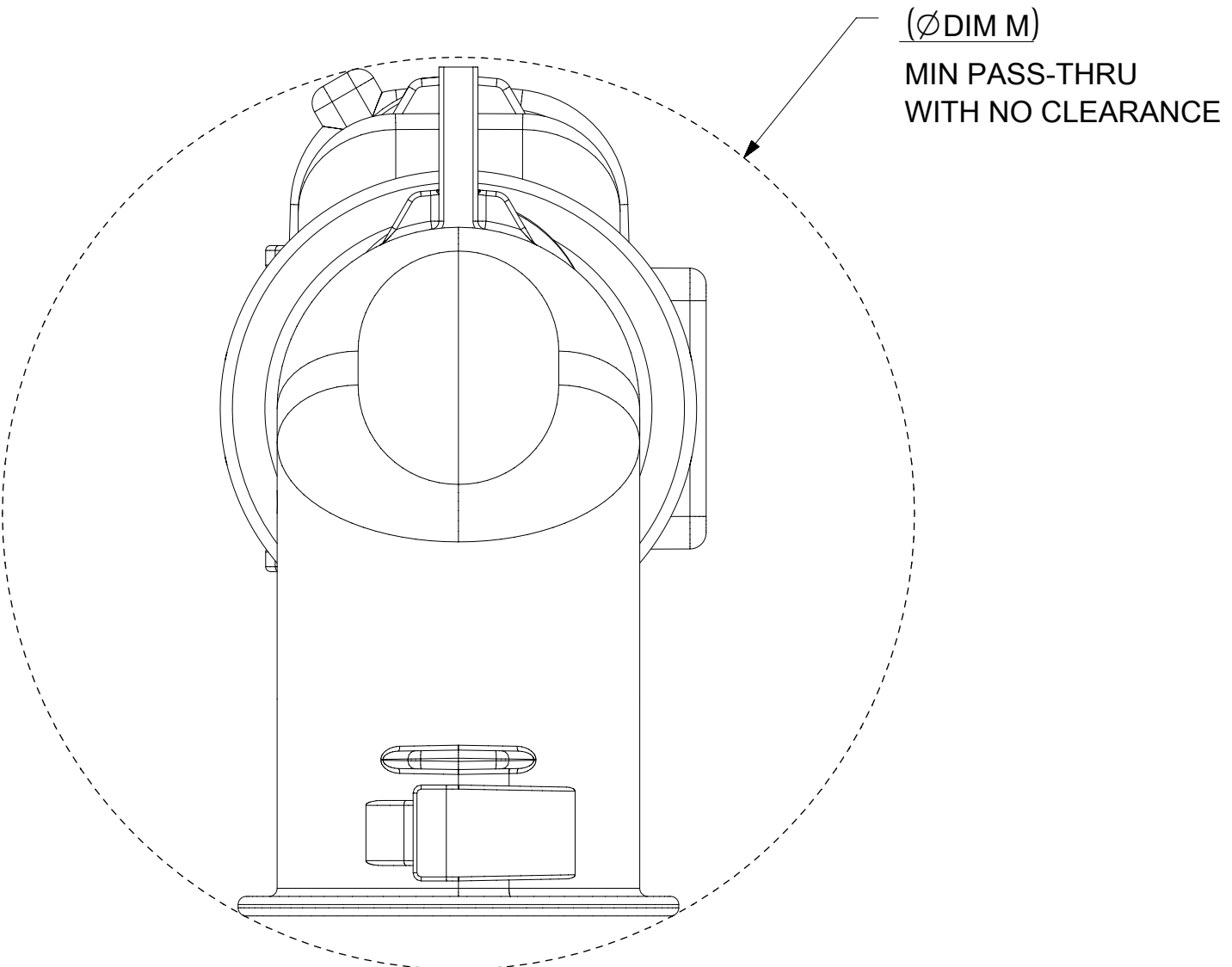
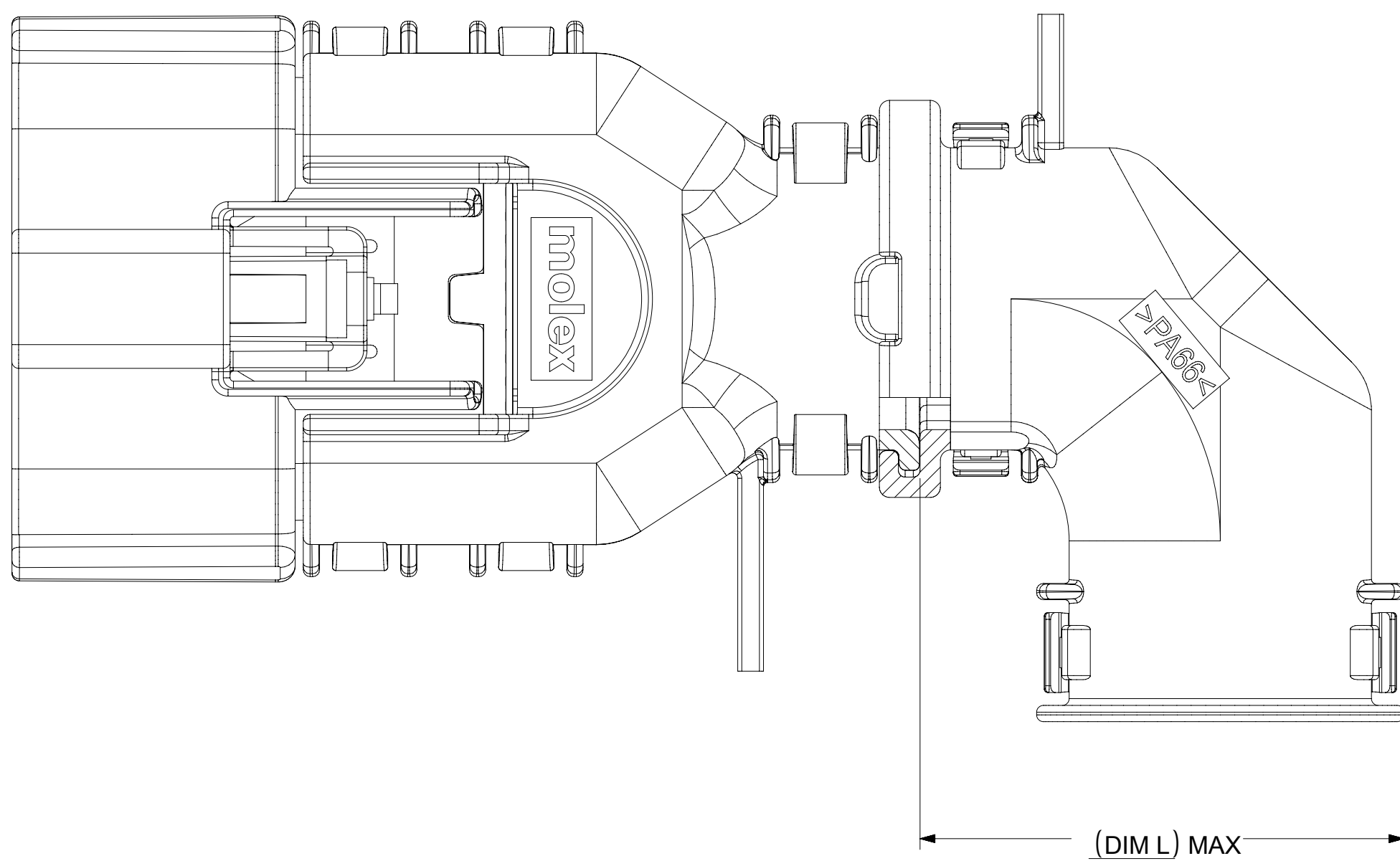
DOCUMENT STATUS	P1	RELEASE DATE	2018/03/07	14:06:48
-----------------	----	--------------	------------	----------

SHEET DESCRIPTION	
MOLEX BACKSHELL CONFIGURATIONS	

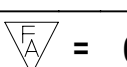
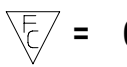
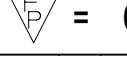
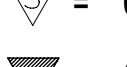

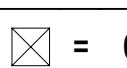

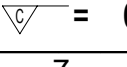

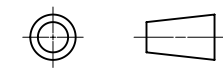
DESCRIPTION	CHARTED DIMENSIONS			
	J	K	L	M
2X2 W/O CLIPSLOT	TBD	TBD	TBD	TBD
2X2 W/ CLIP SLOT	TBD	TBD	TBD	TBD
2X2 LENGTHENED	TBD	TBD	TBD	TBD
2X4 W/ CLIPSLOT	58.44	32.85	32.10	44.26
2X4 W/O CLIPSLOT	N/A	N/A	N/A	N/A
2X8 W/ CLIPSLOT	N/A	N/A	N/A	N/A
2X8 W/O CLIPSLOT	N/A	N/A	N/A	N/A
2X10 W/ CLIPSLOT	67.24	42.65	36.10	56.49
2X10 W/O CLIPSLOT	N/A	N/A	N/A	N/A



RECEPTACLE SEALED ASSEMBLY WITH RECEPTACLE BACKSHELL



ADD THE VALUE OF 'L' TO THE TOTAL DIMENSION FOR WHENEVER ADAPTOR IS USED

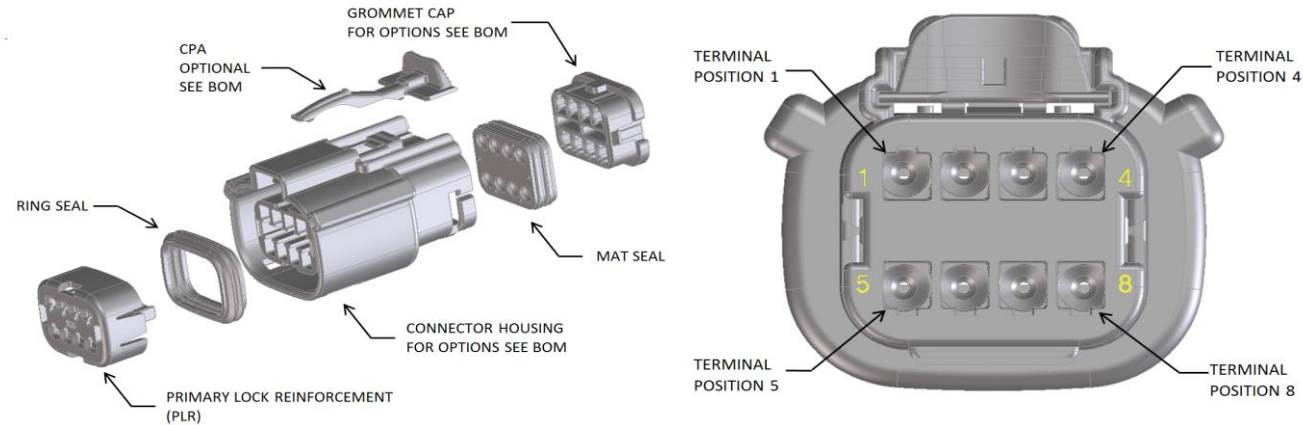
SYMBOLS  = 0  = 0  = 0  = 0  = 0  = 0  = 0  = 0	THIS DRAWING CONTAINS INFORMATION THAT IS PROPRIETARY TO MOLEX ELECTRONIC TECHNOLOGIES, LLC AND SHOULD NOT BE USED WITHOUT WRITTEN PERMISSION		CURRENT REV DESC: EC NO: 173183 DRWN: DDEB 2018/02/23 CHK'D: MVANSLAMBROU 2018/03/07 APPR: MVANSLAMBROU 2018/03/07 INITIAL REVISION: DRWN: KBORUSZEWSKI 2014/02/19 APPR: VKOSHY 2014/03/05	 MX150 GEN 2 RECEPTACLE DUAL ROW SEALED ASSEMBLY MAT SEAL		
	DIMENSION UNITS: mm SCALE: 1:1 GENERAL TOLERANCES (UNLESS SPECIFIED) ANGULAR TOL ± 3.0°					
	4 PLACES ± 3 PLACES ± 2 PLACES ± 0.1 1 PLACE ± 0.2 0 PLACES ±			DOCUMENT NUMBER: SD-160008-0001 DOC TYPE: PSD DOC PART: 001 REVISION: A6		
	DRAFT WHERE APPLICABLE MUST REMAIN WITHIN DIMENSIONS			THIRD ANGLE PROJECTION 		
				DRAWING: A1-SIZE SERIES: 160008		MATERIAL NUMBER: CUSTOMER: GENERAL MARKET SHEET NUMBER: 10 OF 11

SHEET DESCRIPTION
2X10 CONNECTOR INTERFACE DEFINITION

L
K
J
H
G
F
E
D
C
B
A

L
K
J
H
G
F
E
D
C
B
A

**SEE THE FINAL SHEET ON SD-33472-0001
FOR 2X10 CONNECTOR INTERFACE DEFINITION**



FOR ADDITIONAL INFORMATION SEE E-160008-0001
SD-160008-0001

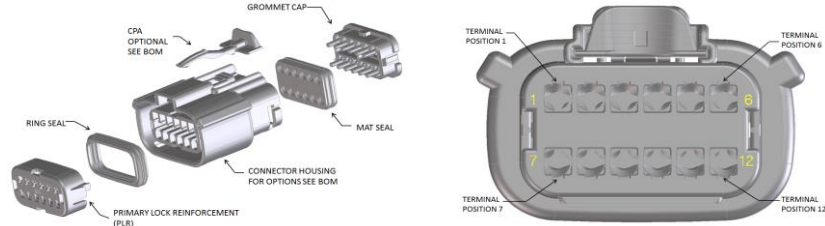
ABBREVIATION	DESCRIPTION	COLOR	MATERIAL
A-BLK	HOUSING KEYING OPTION A	BLACK	SPS/NYLON GF20
A-YW	HOUSING KEYING OPTION A	YELLOW	SPS/NYLON GF20
B-LG	HOUSING KEYING OPTION B	LIGHT GRAY	SPS/NYLON GF20
C-DG	HOUSING KEYING OPTION C	DARK GRAY	SPS/NYLON GF20
C-BR	HOUSING KEYING OPTION C	BROWN	SPS/NYLON GF20
D-SG	HOUSING KEYING OPTION D	STONE GRAY	SPS/NYLON GF20
D-BLK	HOUSING KEYING OPTION D	BLACK	SPS/NYLON GF20
D-GR	HOUSING KEYING OPTION D	GREEN	SPS/NYLON GF20
A-BLK-CLIP	HOUSING KEYING OPTION A WITH CLIPSLOT	BLACK	SPS/NYLON GF20
B-LG-CLIP	HOUSING KEYING OPTION B WITH CLIPSLOT	LIGHT GRAY	SPS/NYLON GF20
C-DG-CLIP	HOUSING KEYING OPTION C WITH CLIPSLOT	DARK GRAY	SPS/NYLON GF20
C-BR-CLIP	HOUSING KEYING OPTION C WITH CLIPSLOT	BROWN	SPS/NYLON GF20
D-SG-CLIP	HOUSING KEYING OPTION D WITH CLIPSLOT	STONE GRAY	SPS/NYLON GF20
D-GR-CLIP	HOUSING KEYING OPTION D WITH CLIPSLOT	GREEN	SPS/NYLON GF20
D-BLK-CLIP	HOUSING KEYING OPTION D WITH CLIPSLOT	BLACK	SPS/NYLON GF20
GCP	GROMMET CAP (PLUGGED)	BLACK	SPS/NYLON GF20
GCO	GROMMET CAP (OPEN)	BLACK	SPS/NYLON GF20
PLR	PLR	NATURAL	SPS/NYLON GF20
CPA	CPA	RED	PBT GF20
M	MAT SEAL	LIGHT BLUE	INHERENTLY LUBRICATED SILICONE
R	RING SEAL	GREEN	INHERENTLY LUBRICATED SILICONE
RR	RING SEAL	RUST RED	INHERENTLY LUBRICATED SILICONE

ASSEMBLY DESCRIPTION	ASSEMBLY PART NUMBER	COMPONENT						BLOCKED TERMINALS								STATUS	COMMENTS	OPTIONAL ATTACHMENTS SOLD SEPARATELY				
		THE PRESENCE OF AN ABBREVIATION INDICATES THE PRESENCE OF THAT COMPONENT.						CAVITY WITH A NUMBER INDICATES BLOCKED TERMINAL POSITION CAVITY WITHOUT A NUMBER INDICATES OPEN TERMINAL POSITION										BACKSHELL WITH RIBS	BACKSHELL WITHOUT RIBS	90° ADAPTOR WITH RIBS	90° ADAPTOR WITHOUT RIBS	
		HOUSING KEY/COLOR	GROMMET CAP	PLR	CPA	MAT SEAL	RING SEAL	1	2	3	4	5	6	7	8							
KEY A, BLACK, W/O CPA	160008-4001	A-BLK	GCO	PLR		M	R										PLANNED OBSOLESCENCE	SEE 160127-4801	N/A	N/A	N/A	N/A
KEY B, LIGHT GRAY, W/O CPA	160008-4002	B-LG	GCO	PLR		M	R										PLANNED OBSOLESCENCE	SEE 160127-4802	N/A	N/A	N/A	N/A
KEY C, DARK GRAY, W/O CPA	160008-4003	C-DG	GCO	PLR		M	R										PLANNED OBSOLESCENCE	SEE 160127-4803	N/A	N/A	N/A	N/A
KEY D, STONE GRAY, W/O CPA	160008-4004	D-SG	GCO	PLR		M	R										PLANNED OBSOLESCENCE	SEE 160127-4804	N/A	N/A	N/A	N/A
KEY A, BLACK, W/O CPA	160127-4801	A-BLK	GCO	PLR		M	RR										SALEABLE		N/A	N/A	N/A	N/A
KEY B, LIGHT GRAY, W/O CPA	160127-4802	B-LG	GCO	PLR		M	RR										SALEABLE		N/A	N/A	N/A	N/A
KEY C, BROWN, W/O CPA	160127-4803	C-BR	GCO	PLR		M	RR										NOT AVAILABLE		N/A	N/A	N/A	N/A
KEY D, GREEN, W/O CPA	160127-4804	D-GR	GCO	PLR		M	RR										NOT AVAILABLE		N/A	N/A	N/A	N/A
KEY D, BLACK, W/O CPA	160127-4805	D-BLK	GCO	PLR		M	RR										SALEABLE		N/A	N/A	N/A	N/A
KEY A, BLACK, W/CPA	160127-4806	A-BLK	GCO	PLR	CPA	M	RR										SALEABLE		N/A	N/A	N/A	N/A
KEY B, LIGHT GRAY, W/CPA	160127-4807	B-LG	GCO	PLR	CPA	M	RR										SALEABLE		N/A	N/A	N/A	N/A
KEY C, BROWN, W/CPA	160127-4808	C-BR	GCO	PLR	CPA	M	RR										NOT AVAILABLE		N/A	N/A	N/A	N/A
KEY D, GREEN, W/CPA	160127-4809	D-GR	GCO	PLR	CPA	M	RR										NOT AVAILABLE		N/A	N/A	N/A	N/A
NOT AVAILABLE	160127-4810																					
KEY A, BLACK, W/O CPA	160127-4811	A-BLK	GCP	PLR		M	RR					4					SALEABLE		N/A	N/A	N/A	N/A
KEY B, LIGHT GRAY, W/O CPA	160127-4812	B-LG	GCP	PLR		M	RR					4					SALEABLE		N/A	N/A	N/A	N/A
KEY C, BROWN, W/O CPA	160127-4813	C-BR	GCP	PLR		M	RR					4					NOT AVAILABLE		N/A	N/A	N/A	N/A
KEY D, GREEN, W/O CPA	160127-4814	D-GR	GCP	PLR		M	RR					4					NOT AVAILABLE		N/A	N/A	N/A	N/A
NOT AVAILABLE	160127-4815																					
KEY A, BLACK, W/CPA	160127-4816	A-BLK	GCP	PLR	CPA	M	RR					4					SALEABLE		N/A	N/A	N/A	N/A
KEY B, LIGHT GRAY, W/CPA	160127-4817	B-LG	GCP	PLR	CPA	M	RR					4					SALEABLE		N/A	N/A	N/A	N/A
KEY C, BROWN, W/CPA	160127-4818	C-BR	GCP	PLR	CPA	M	RR					4					NOT AVAILABLE		N/A	N/A	N/A	N/A
KEY D, GREEN, W/CPA	160127-4819	D-GR	GCP	PLR	CPA	M	RR					4					NOT AVAILABLE		N/A	N/A	N/A	N/A
NOT AVAILABLE	160127-4820																					
KEY A, BLACK, W/O CPA	160127-4821	A-BLK	GCP	PLR		M	RR					4	5				SALEABLE		N/A	N/A	N/A	N/A
KEY B, LIGHT GRAY, W/O CPA	160127-4822	B-LG	GCP	PLR		M	RR					4	5				SALEABLE		N/A	N/A	N/A	N/A
KEY C, BROWN, W/O CPA	160127-4823	C-BR	GCP	PLR		M	RR					4	5				NOT AVAILABLE		N/A	N/A	N/A	N/A
KEY D, GREEN, W/O CPA	160127-4824	D-GR	GCP	PLR		M	RR					4	5				NOT AVAILABLE		N/A	N/A	N/A	N/A
NOT AVAILABLE	160127-4825																					
KEY A, BLACK, W/CPA	160127-4826	A-BLK	GCP	PLR	CPA	M	RR					4	5				SALEABLE		N/A	N/A	N/A	N/A
KEY B, LIGHT GRAY, W/CPA	160127-4827	B-LG	GCP	PLR	CPA	M	RR					4	5				SALEABLE		N/A	N/A	N/A	N/A
KEY C, BROWN, W/CPA	160127-4828	C-BR	GCP	PLR	CPA	M	RR					4	5				NOT AVAILABLE		N/A	N/A	N/A	N/A
KEY D, GREEN, W/CPA	160127-4829	D-GR	GCP	PLR	CPA	M	RR					4	5				NOT AVAILABLE		N/A	N/A	N/A	N/A
NOT AVAILABLE	160127-4830																					
KEY A, BLACK, W/O CPA	160127-4831	A-BLK	GCP	PLR		M	RR	1				4	5				SALEABLE		N/A	N/A	N/A	N/A
KEY B, LIGHT GRAY, W/O CPA	160127-4832	B-LG	GCP	PLR		M	RR	1				4	5				SALEABLE		N/A	N/A	N/A	N/A
KEY C, BROWN, W/O CPA	160127-4833	C-BR	GCP	PLR		M	RR	1				4	5				NOT AVAILABLE		N/A	N/A	N/A	N/A
KEY D, GREEN, W/O CPA	160127-4834	D-GR	GCP	PLR		M	RR	1				4	5				NOT AVAILABLE		N/A	N/A	N/A	N/A
NOT AVAILABLE	160127-4835																					
KEY A, BLACK, W/CPA	160127-4836	A-BLK	GCP	PLR	CPA	M	RR	1				4	5				SALEABLE		N/A	N/A	N/A	N/A
KEY B, LIGHT GRAY, W/CPA	160127-4837	B-LG	GCP	PLR	CPA	M	RR	1				4	5				SALEABLE		N/A	N/A	N/A	N/A
KEY C, BROWN, W/CPA	160127-4838	C-BR	GCP	PLR	CPA	M	RR	1				4	5				NOT AVAILABLE		N/A	N/A	N/A	N/A
KEY D, GREEN, W/CPA	160127-4839	D-GR	GCP	PLR	CPA	M	RR	1				4	5				NOT AVAILABLE		N/A	N/A	N/A	N/A
NOT AVAILABLE	160127-4840																					
KEY A, BLACK, W/O CPA	160127-4841	A-BLK	GCP	PLR		M	RR	1				4	5		8		SALEABLE		N/A	N/A	N/A	N/A
KEY B, LIGHT GRAY, W/O CPA	160127-4842	B-LG	GCP	PLR		M	RR	1				4	5		8		SALEABLE		N/A	N/A	N/A	N/A
KEY C, BROWN, W/O CPA	160127-4843	C-BR	GCP	PLR		M	RR	1				4	5		8		NOT AVAILABLE		N/A	N/A	N/A	N/A
KEY D, GREEN, W/O CPA	160127-4844	D-GR	GCP	PLR		M	RR	1				4	5		8		NOT AVAILABLE		N/A	N/A	N/A	N/A

MX150 GEN 2 RECEPTACLE 2X4 SEALED ASSEMBLY MAT SEAL
BOM AND PIN OUT SHEET

ASSEMBLY DESCRIPTION	ASSEMBLY PART NUMBER	COMPONENT						BLOCKED TERMINALS								STATUS	COMMENTS	OPTIONAL ATTACHMENTS SOLD SEPERATELY			
		THE PRESENCE OF AN ABBREVIATION INDICATES THE PRESENCE OF THAT COMPONENT.						CAVITY WITH A NUMBER INDICATES BLOCKED TERMINAL POSITION CAVITY WITHOUT A NUMBER INDICATES OPEN TERMINAL POSITION										BACKSHELL WITH RIBS	BACKSHELL WITHOUT RIBS	90° ADAPTOR WITH RIBS	90° ADAPTOR WITHOUT RIBS
		HOUSING KEY/COLOR	GROMMET CAP	PLR	CPA	MAT SEAL	RING SEAL	1	2	3	4	5	6	7	8						
KEY A, BLACK, W/CPA	160127-5021	A-BLK	GCP	PLR	CPA	M	RR	1	2	3	4	5	6	7	8	SALEABLE		N/A	N/A	N/A	N/A
KEY A, BLACK, W/CPA	160127-5022	A-BLK	GCP	PLR	CPA	M	RR	1				5				SALEABLE		N/A	N/A	N/A	N/A
KEY A, BLACK, W/O CPA	160127-5023	A-BLK	GCP	PLR		M	RR					5	6	7	8	SALEABLE		N/A	N/A	N/A	N/A
KEY A, BLACK, W/O CPA	160127-5024	A-BLK	GCP	PLR		M	RR			3	4					SALEABLE		N/A	N/A	N/A	N/A
KEY D, STONE GRAY, W/O CPA	160127-5025	D-SG	GCP	PLR		M	RR				4	5	6			SALEABLE		N/A	N/A	N/A	N/A
KEY D, STONE GRAY, W/O CPA	160127-5026	D-SG	GCP	PLR		M	RR				4					SALEABLE		N/A	N/A	N/A	N/A
KEY B, LIGHT GRAY, W/O CPA	160127-5027	B-LG	GCP	PLR		M	RR							7	8	SALEABLE		N/A	N/A	N/A	N/A
KEY A, BLACK, W/O CPA	160127-5028	A-BLK	GCP	PLR		M	RR	1	2	3	4			7	8	SALEABLE		N/A	N/A	N/A	N/A
KEY A, BLACK, W/O CPA	160127-5029	A-BLK	GCP	PLR		M	RR			3	4				8	SALEABLE		N/A	N/A	N/A	N/A
KEY A, BLACK, W/O CPA	160127-5030	A-BLK	GCP	PLR		M	RR	1	2	3	4	5		7		SALEABLE		N/A	N/A	N/A	N/A
KEY A, BLACK, W/O CPA	160127-5031	A-BLK	GCP	PLR		M	RR					5				SALEABLE		N/A	N/A	N/A	N/A
KEY A, BLACK, W/O CPA	160127-5032	A-BLK	GCP	PLR		M	RR		2			5				SALEABLE		N/A	N/A	N/A	N/A
KEY B, LIGHT GRAY, W/O CPA	160127-5033	B-LG	GCP	PLR		M	RR	1		3					8	SALEABLE		N/A	N/A	N/A	N/A
KEY B, LIGHT GRAY, W/O CPA	160127-5034	B-LG	GCP	PLR		M	RR			3					8	SALEABLE		N/A	N/A	N/A	N/A
KEY B, LIGHT GRAY, W/O CPA	160127-5035	B-LG	GCP	PLR		M	RR	1								SALEABLE		N/A	N/A	N/A	N/A
KEY A, BLACK, W/O CPA	160127-5036	A-BLK	GCP	PLR		M	RR	1							8	SALEABLE		N/A	N/A	N/A	N/A
KEY A, BLACK, W/O CPA	160127-5037	A-BLK	GCP	PLR		M	RR						6		8	SALEABLE		N/A	N/A	N/A	N/A
KEY A, BLACK, W/O CPA	160127-5038	A-BLK	GCP	PLR		M	RR	1			4	5	6	7	8	SALEABLE		N/A	N/A	N/A	N/A
KEY A, BLACK, W/O CPA	160127-5039	A-BLK	GCP	PLR		M	RR		2					7		SALEABLE		N/A	N/A	N/A	N/A
KEY B, LIGHT GRAY, W/O CPA	160127-5040	B-LG	GCP	PLR		M	RR					5		7		SALEABLE		N/A	N/A	N/A	N/A
KEY A, BLACK, W/O CPA	160127-5041	A-BLK	GCP	PLR		M	RR				4	5	6	7	8	SALEABLE		N/A	N/A	N/A	N/A
KEY A, BLACK, W/O CPA	160127-5042	A-BLK	GCP	PLR		M	RR					5			8	SALEABLE		N/A	N/A	N/A	N/A
KEY A, BLACK, W/O CPA	160127-5043	A-BLK	GCP	PLR		M	RR		2		4	5	6			SALEABLE		N/A	N/A	N/A	N/A
KEY A, BLACK, W/O CPA	160127-5044	A-BLK	GCP	PLR		M	RR	1	2	3	4			6	7	SALEABLE		N/A	N/A	N/A	N/A
KEY A, BLACK, W/O CPA	160127-5045	A-BLK	GCP	PLR		M	RR				4			6		SALEABLE		N/A	N/A	N/A	N/A
KEY A, BLACK, W/CPA	160127-5046	A-BLK	GCP	PLR	CPA	M	RR	1						7		SALEABLE		N/A	N/A	N/A	N/A
KEY B, LIGHT GRAY, W/O CPA	160127-5047	B-LG	GCP	PLR		M	RR					5				SALEABLE		N/A	N/A	N/A	N/A
KEY A, BLACK, W/O CPA	160127-5048	A-BLK	GCP	PLR		M	RR	1	2			5	6		8	SALEABLE		N/A	N/A	N/A	N/A
KEY A, BLACK, W/O CPA	160127-5049	A-BLK	GCP	PLR		M	RR	1	2						8	SALEABLE		N/A	N/A	N/A	N/A
KEY A, BLACK, W/O CPA	160127-5050	A-BLK	GCP	PLR		M	RR				4	5	6			SALEABLE		N/A	N/A	N/A	N/A
KEY A, BLACK, W/O CPA	160127-5051	A-BLK	GCP	PLR		M	RR	1	2	3				6		SALEABLE		N/A	N/A	N/A	N/A
KEY A, BLACK, W/O CPA	160127-5052	A-BLK	GCP	PLR		M	RR				4	5		7	8	SALEABLE		N/A	N/A	N/A	N/A
KEY A, BLACK, W/O CPA	160127-5053	A-BLK	GCP	PLR		M	RR			3	4			7	8	SALEABLE		N/A	N/A	N/A	N/A
KEY A, BLACK, W/O CPA	160127-5054	A-BLK	GCP	PLR		M	RR	1		3	4			7	8	SALEABLE		N/A	N/A	N/A	N/A
KEY A, BLACK, W/O CPA	160127-5055	A-BLK	GCP	PLR		M	RR				4				8	SALEABLE		N/A	N/A	N/A	N/A
KEY A, BLACK, W/O CPA	160127-5056	A-BLK	GCP	PLR		M	RR				4	5			8	SALEABLE		N/A	N/A	N/A	N/A
KEY A, BLACK, WITH CLIPSLOT, W/O CPA	160127-4901	A-BLK-CLIP	GCO	PLR		M	RR									SALEABLE	34951-0811	34951-0821	34951-0831	34951-0841	
KEY B, LIGHT GRAY, WITH CLIPSLOT, W/O CPA	160127-4902	B-LG-CLIP	GCO	PLR		M	RR									SALEABLE	34951-0811	34951-0821	34951-0831	34951-0841	
KEY C, BROWN, WITH CLIPSLOT, W/O CPA	160127-4903	C-BR-CLIP	GCO	PLR		M	RR									NOT AVAILABLE	34951-0811	34951-0821	34951-0831	34951-0841	
KEY D, GREEN, WITH CLIPSLOT, W/O CPA	160127-4904	D-GR-CLIP	GCO	PLR		M	RR									NOT AVAILABLE	34951-0811	34951-0821	34951-0831	34951-0841	
KEY D, BLACK, WITH CLIPSLOT, W/O CPA	160127-4905	D-BLK-CLIP	GCO	PLR		M	RR									NOT AVAILABLE	34951-0811	34951-0821	34951-0831	34951-0841	
KEY A, BLACK, WITH CLIPSLOT, W/CPA	160127-4906	A-BLK-CLIP	GCO	PLR	CPA	M	RR									SALEABLE	34951-0811	34951-0821	34951-0831	34951-0841	
KEY B, LIGHT GRAY, WITH CLIPSLOT, W/CPA	160127-4907	B-LG-CLIP	GCO	PLR	CPA	M	RR									SALEABLE	34951-0811	34951-0821	34951-0831	34951-0841	
KEY C, BROWN, WITH CLIPSLOT, W/CPA	160127-4908	C-BR-CLIP	GCO	PLR	CPA	M	RR									NOT AVAILABLE	34951-0811	34951-0821	34951-0831	34951-0841	
KEY D, GREEN, WITH CLIPSLOT, W/CPA	160127-4909	D-GR-CLIP	GCO	PLR	CPA	M	RR									NOT AVAILABLE	34951-0811	34951-0821	34951-0831	34951-0841	
KEY A, BLACK, WITH CLIPSLOT, W/O CPA	160127-4910	A-BLK-CLIP	GCP	PLR		M	RR				4					SALEABLE	34951-0811	34951-0821	34951-0831	34951-0841	
KEY A, BLACK, WITH CLIPSLOT, W/O CPA	160127-4920	A-BLK-CLIP	GCP	PLR		M	RR				4				8	SALEABLE	34951-0811	34951-0821	34951-0831	34951-0841	
KEY A, BLACK, WITH CLIPSLOT, W/O CPA	160127-4921	A-BLK-CLIP	GCP	PLR		M	RR								8	SALEABLE	34951-0811	34951-0821	34951-0831	34951-0841	
KEY C, DARK GRAY, WITH CLIPSLOT, W/O CPA	160127-4922	C-DG-CLIP	GCO	PLR		M	RR									SALEABLE	34951-0811	34951-0821	34951-0831	34951-0841	
KEY D, STONE GRAY, WITH CLIPSLOT, W/O CPA	160127-4923	D-SG-CLIP	GCO	PLR		M	RR									SALEABLE	34951-0811	34951-0821	34951-0831	34951-0841	
KEY C, DARK GRAY, WITH CLIPSLOT, W/CPA	160127-4924	C-DG-CLIP	GCO	PLR	CPA	M	RR									SALEABLE	34951-0811	34951-0821	34951-0831	34951-0841	
KEY D, STONE GRAY, WITH CLIPSLOT, W/CPA	160127-4925	D-SG-CLIP	GCO	PLR	CPA	M	RR									SALEABLE	34951-0811	34951-0821	34951-0831	34951-0841	
KEY B, LIGHT GRAY, WITH CLIPSLOT, W/O CPA	160127-4926	B-LG-CLIP	GCP	PLR		M	RR				4				8	SALEABLE	34951-0811	34951-0821	34951-0831	34951-0841	
KEY A, BLACK, WITH CLIPSLOT, W/CPA	160127-4927	A-BLK-CLIP	GCP	PLR	CPA	M	RR				4				8	SALEABLE	34951-0811	34951-0821	34951-0831	34951-0841	
KEY B, LIGHT GRAY, WITH CLIPSLOT, W/CPA	160127-4928	B-LG-CLIP	GCP	PLR	CPA	M	RR				4				8	SALEABLE	34951-0811	34951-0821	34951-0831	34951-0841	
KEY A, BLACK, WITH CLIPSLOT, W/O CPA	160127-4929	A-BLK-CLIP	GCP	PLR		M	RR				4	5		7	8	SALEABLE	34951-0811	34951-0821	34951-0831	34951-0841	
KEY A, BLACK, WITH CLIPSLOT, W/O CPA	160127-4930	A-BLK-CLIP	GCP	PLR		M	RR		2	3	4	5		7	8	SALEABLE	34951-0811	34951-0821	34951-0831	34951-0841	
KEY A, BLACK, WITH CLIPSLOT, W/O CPA	160127-4931	A-BLK-CLIP	GCP	PLR		M	RR	1	2	3				6		SALEABLE	34951-0811	34951-0821	34951-0831	34951-0841	
KEY A, BLACK, WITH CLIPSLOT, W/O CPA	160127-4932	A-BLK-CLIP	GCP	PLR		M	RR	1						6		SALEABLE	34951-0811	34951-0821	34951-0831	34951-0841	
KEY A, BLACK, WITH CLIPSLOT, W/CPA	160127-4933	A-BLK-CLIP	GCP	PLR	CPA	M	RR								8	SALEABLE	34951-0811	34951-0821	34951-0831	34951-0841	
KEY B, LIGHT GRAY, WITH CLIPSLOT, W/CPA	160127-4934	B-LG-CLIP	GCP	PLR	CPA	M	RR								8	SALEABLE	34951-0811	34951-0821	34951-0831	34951-0841	
KEY A, BLACK, WITH CLIPSLOT, W/CPA	160127-4935	A-BLK-CLIP	GCP	PLR	CPA	M	RR		2	3	4		6	7	8	SALEABLE	34951-0811	34951-0821	34951-0831	34951-0841	
KEY A, BLACK, WITH CLIPSLOT, W/O CPA	160127-4936	A-BLK-CLIP	GCP	PLR		M	RR						6	7	8	SALEABLE	34951-0811	34951-0821	34951-0831	34951-0841	
KEY A, BLACK, WITH CLIPSLOT, W/O CPA	160127-4937	A-BLK-CLIP	GCP	PLR		M	RR					5			8	SALEABLE	34951-0811	34951-0821	34951-0831	34951-0841	
KEY A, BLACK, WITH CLIPSLOT, W/O CPA	160127-4938	A-BLK-CLIP	GCP	PLR		M	RR					5				SALEABLE	34951-0811	34951-0821	34951-0831	34951-0841	
KEY A, BLACK, WITH CLIPSLOT, W/O CPA	160127-4939	A-BLK-CLIP	GCP	PLR		M	RR				4	5	6	7	8	SALEABLE	34951-0811	34951-0821	34951-0831	34951-0841	
KEY A, BLACK, WITH CLIPSLOT, W/O CPA	160127-4940	A-BLK-CLIP	GCP	PLR		M	RR	1	2			5	6			SALEABLE	34951-0811	34951-0821	34951-0831	34951-0841	
KEY A, BLACK, WITH CLIPSLOT, W/O CPA	160127-4941	A-BLK-CLIP	GCP	PLR		M	RR	1	2	3	4	5	6			SALEABLE	34951-0811	34951-0821	34951-0831	34951-0841	
KEY A, BLACK, WITH CLIPSLOT, W/O CPA	160127-4942	A-BLK-CLIP	GCP	PLR		M	RR				4	5	6			SALEABLE	34951-0811	34951-0821	34951-0831	34951-0841	

**MX150 GEN 2 RECEPTACLE 2X6 SEALED ASSEMBLY MAT SEAL
BOM AND PIN OUT SHEET**



FOR ADDITIONAL INFORMATION SEE E-160008-0001
SD-160008-0001

ABBREVIATION	DESCRIPTION	COLOR	MATERIAL
A-BLK	HOUSING KEYING OPTION A	BLACK	SP5/NYLON GF20
B-LG	HOUSING KEYING OPTION B	LIGHT GRAY	SP5/NYLON GF20
C-DG	HOUSING KEYING OPTION C	DARK GRAY	SP5/NYLON GF20
D-SG	HOUSING KEYING OPTION D	STONE GRAY	SP5/NYLON GF20
A-BLK-CLIP	HOUSING KEYING OPTION A WITH CLIPSLOT	BLACK	SP5/NYLON GF20
B-LG-CLIP	HOUSING KEYING OPTION B WITH CLIPSLOT	LIGHT GRAY	SP5/NYLON GF20
C-DG-CLIP	HOUSING KEYING OPTION C WITH CLIPSLOT	DARK GRAY	SP5/NYLON GF20
D-SG-CLIP	HOUSING KEYING OPTION D WITH CLIPSLOT	STONE GRAY	SP5/NYLON GF20
GCP	GROMMET CAP (PLUGGED)	BLACK	SP5/NYLON GF20
PLR	PLR	NATURAL	SP5/NYLON GF20
CPA	CPA	RED	PBT GF20
M	MAT SEAL	LIGHT BLUE	INHERENTLY LUBRICATED SILICONE
R	RING SEAL	GREEN	INHERENTLY LUBRICATED SILICONE

ASSEMBLY DESCRIPTION	ASSEMBLY PART NUMBER	COMPONENT						BLOCKED TERMINALS												STATUS	COMMENTS	OPTIONAL ATTACHMENTS SOLD SEPARATELY			
		THE PRESENCE OF AN ABBREVIATION INDICATES THE PRESENCE OF THAT COMPONENT.						CAVITY WITH A NUMBER INDICATES BLOCKED TERMINAL POSITION CAVITY WITHOUT A NUMBER INDICATES OPEN TERMINAL POSITION														BACKSHELL WITH RIBS	BACKSHELL WITHOUT RIBS		
		HOUSING KEY/COLOR	GROMMET CAP	PLR	CPA	MAT SEAL	RING SEAL	1	2	3	4	5	6	7	8	9	10	11	12						
NOT CURRENTLY AVAILABLE	160008-6005																				NOT AVAILABLE		34951-1210	34951-1220	
NOT CURRENTLY AVAILABLE	160008-6006																					NOT AVAILABLE		34951-1210	34951-1220
NOT CURRENTLY AVAILABLE	160008-6011																					NOT AVAILABLE		34951-1210	34951-1220
NOT CURRENTLY AVAILABLE	160008-6012																					NOT AVAILABLE		34951-1210	34951-1220
NOT CURRENTLY AVAILABLE	160008-6017																					NOT AVAILABLE		34951-1210	34951-1220
NOT CURRENTLY AVAILABLE	160008-6018																					NOT AVAILABLE		34951-1210	34951-1220
NOT CURRENTLY AVAILABLE	160008-6023																					NOT AVAILABLE		34951-1210	34951-1220
NOT CURRENTLY AVAILABLE	160008-6024																					NOT AVAILABLE		34951-1210	34951-1220
NOT CURRENTLY AVAILABLE	160008-6029																					NOT AVAILABLE		N/A	N/A
NOT CURRENTLY AVAILABLE	160008-6030																					NOT AVAILABLE		N/A	N/A
NOT CURRENTLY AVAILABLE	160008-6035																					NOT AVAILABLE		N/A	N/A
NOT CURRENTLY AVAILABLE	160008-6036																					NOT AVAILABLE		N/A	N/A
NOT CURRENTLY AVAILABLE	160008-6041																					NOT AVAILABLE		N/A	N/A
NOT CURRENTLY AVAILABLE	160008-6042																					NOT AVAILABLE		N/A	N/A
NOT CURRENTLY AVAILABLE	160008-6047			PLR		M	R															NOT AVAILABLE		N/A	N/A
NOT CURRENTLY AVAILABLE	160008-6048			PLR		M	R															NOT AVAILABLE		N/A	N/A
KEY A, BLACK, W/O CPA	160127-6001	A-BLK	GCP	PLR		M	R															DESIGN CONCEPT		34951-1210	34951-1220
KEY B, LIGHT GRAY, W/O CPA	160127-6002	B-LG	GCP	PLR		M	R															DESIGN CONCEPT		34951-1210	34951-1220
KEY C, DARK GRAY, W/O CPA	160127-6003	C-DG	GCP	PLR		M	R															DESIGN CONCEPT		34951-1210	34951-1220
KEY D, STONE GRAY, W/O CPA	160127-6004	D-SG	GCP	PLR		M	R															DESIGN CONCEPT		34951-1210	34951-1220

TABLE OF CONTENTS	
SHEET NO.	SHEET DESCRIPTION
1	NOTES AND BOM
2	CONFIGURATIONS
3-4	KEY CONFIGURATIONS
5	BLADE CONNECTOR ASSEMBLY
6	SYSTEM PACKAGING
7	BACKSHELL NOTES
8	BACKSHELL
9	BACKSHELL CONFIGURATIONS

NOTES: VALID UNLESS OTHERWISE SPECIFIED

1. GENERAL:

a. APPLICATION SPECIFICATION SEE: AS-33472-100
 -CONTAINS: PRODUCT INTRODUCTION, PRODUCT SUMMARY, CONNECTOR ASSEMBLY, PACKAGING INFORMATION, CONNECTOR MATING, SERVICE INSTRUCTIONS, ELECTRICAL CONTINUITY CHECKING, CRIMPING, AND TROUBLESHOOTING.
 -DESIGNED TO MATE WITH CONNECTOR AS SPECIFIED IN THE MATING CONNECTOR DRAWINGS CHART.
 -ASSEMBLY SHIPPED WITH PLR IN PRE-LOCK POSITION (SEE PLR PRE-LOCK VIEW SHEET 5).

b. PRODUCT SPECIFICATION SEE: PS-160008-0001
 CONTAINS: SCOPE, PRODUCT DESCRIPTION, INTEGRAL COMPONENTS AND ACCESSORIES, APPLICABLE DOCUMENTS AND SPECIFICATIONS, RATINGS, PERFORMANCE, PACKAGING, GUAGES AND FIXTURES, AND OTHER INFORMATION.

c. PACKAGING SPECIFICATION PER MOLEX DRAWING: SEE PACKAGING CHART.

d. PARTS MUST BE IN COMPLIANCE TO MOLEX CHEMICAL SUBSTANCES FOR PRODUCTS AND PACKAGING SPECIFICATION: QEHS-699000-300

e. DATA MUST BE SUBMITTED UNDER THE MOLEX PART NUMBER TO IMDS (COMPANY ID#13255)

2. DESIGN - MATERIALS:

a. SEE BOM TABLE IN SD-160011-0002

3. DESIGN - GEOMETRY:

a. THE 3-D CAD DATA IS BASIC (WITHOUT TOLERANCE) AND MASTER FOR THIS PART WITH THE EXCEPTION OF UNDERLINED DIMENSIONS. DIMENSIONAL INFORMATION NOT SHOWN ON THIS DRAWING IS DEFINED BY THE DATA FILE AT ITS LATEST REVISION.

b. GEOMETRIC DIMENSIONS AND TOLERANCES PER ASME Y14.5M-2009

c. EDGES AND UNDIMENSIONED DETAILS PER ISO13715

d. CORNERS SHOWN AS SHARP TO BE R 0.2 MAX.

e. LETTERING SHALL BE 0.15 MAX RAISED IN 0.25 MAX RECESS PAD. THIS INCLUDES RECYCLING CODE, CAVITY ID, VENDOR IDENTIFICATION, AND CUSTOMER MATERIAL NUMBER.

f. VISUAL DEFECTS SHALL MEET COSMETIC STANDARD PS-45499-002 (Class B).

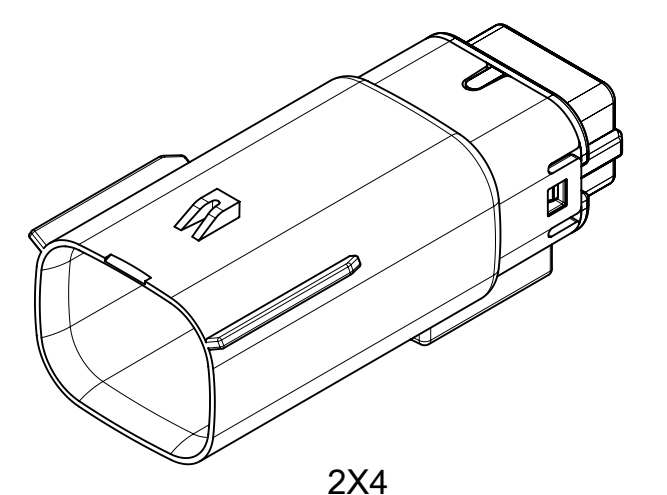
g. LASER MARKING:

- PART NUMBER
- DAY OF THE YEAR
- SHIFT
- YEAR

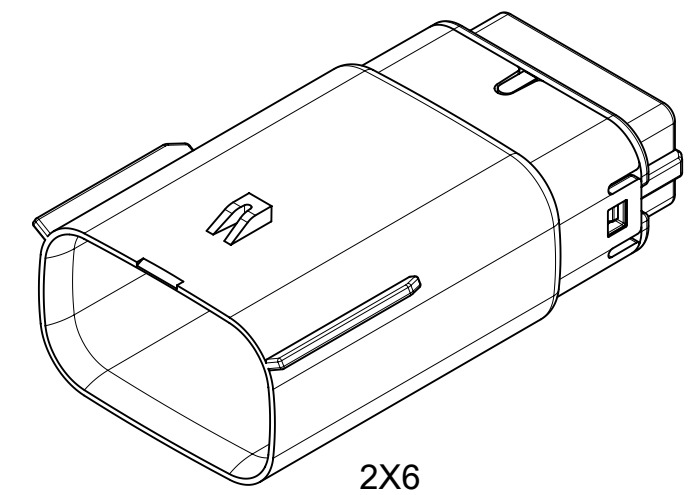
FOR ADDITIONAL INFORMATION REFERENCE SECTION 5 UNDER PROCEDURES IN ES-34735-008.

PACKAGING	
DESCRIPTION	DRAWING NO.
2X2	TBD
2X3	TBD
2X4	PK-36518-392
2X6	PK-31300-635
2X8	TBD
2X10	PK-31300-635

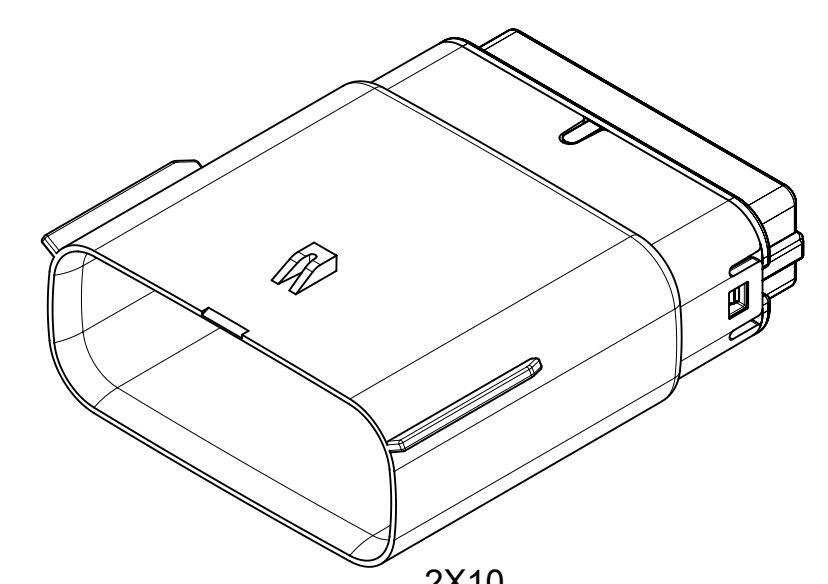
MATING CONNECTOR DRAWINGS	
DESCRIPTION	MOLEX INLINE
2X2	TBD
2X3	TBD
2X4	SD-160008-0001
2X6	SD-160008-0001
2X8	TBD
2X10	SD-160018-0001



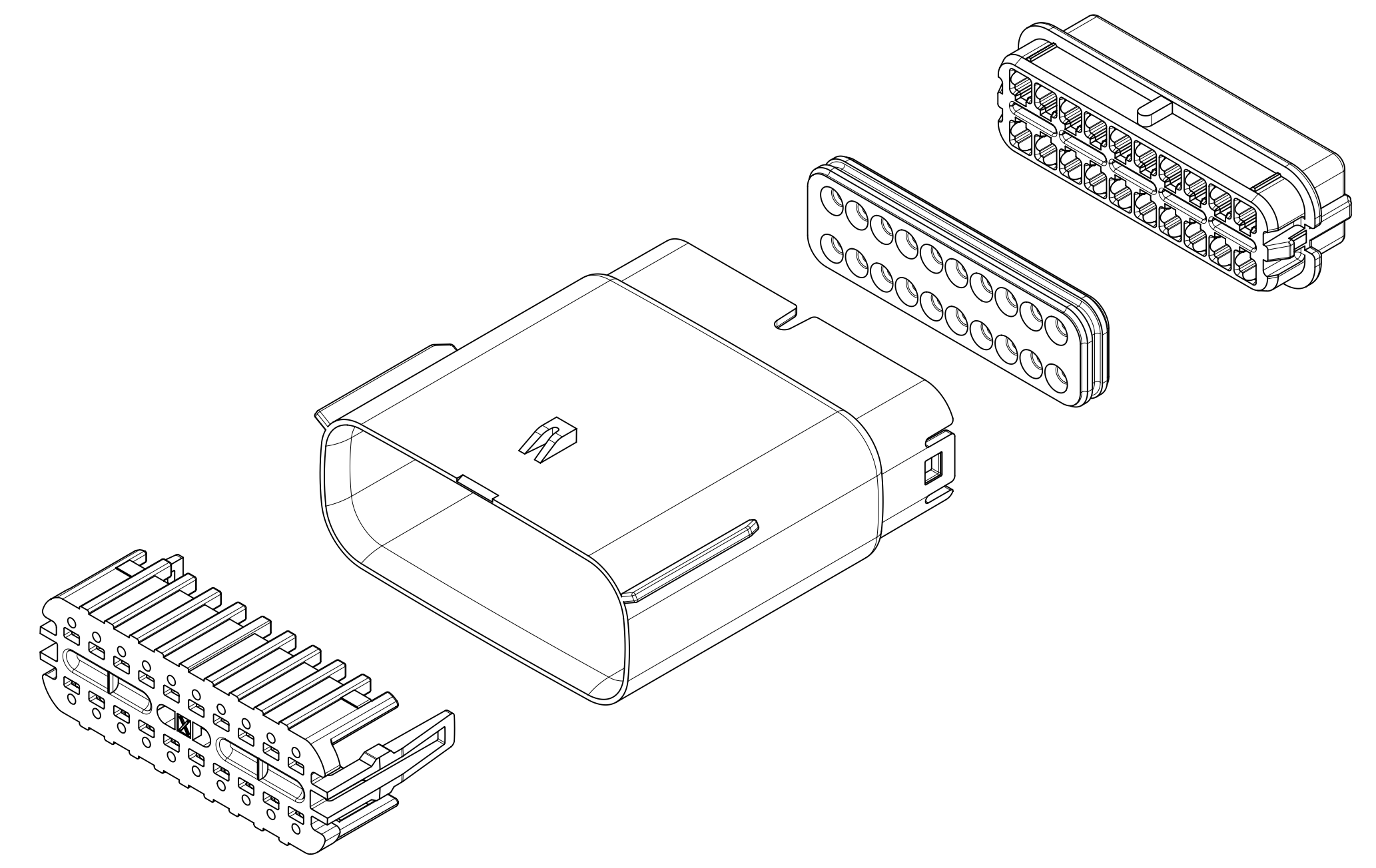
2X4



2X6



2X10

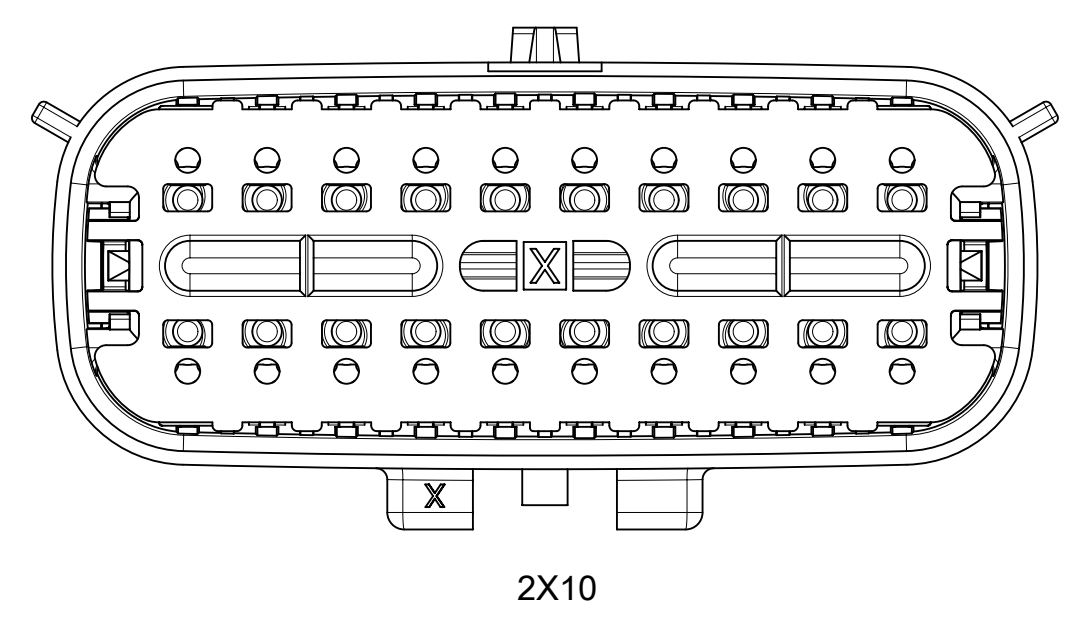
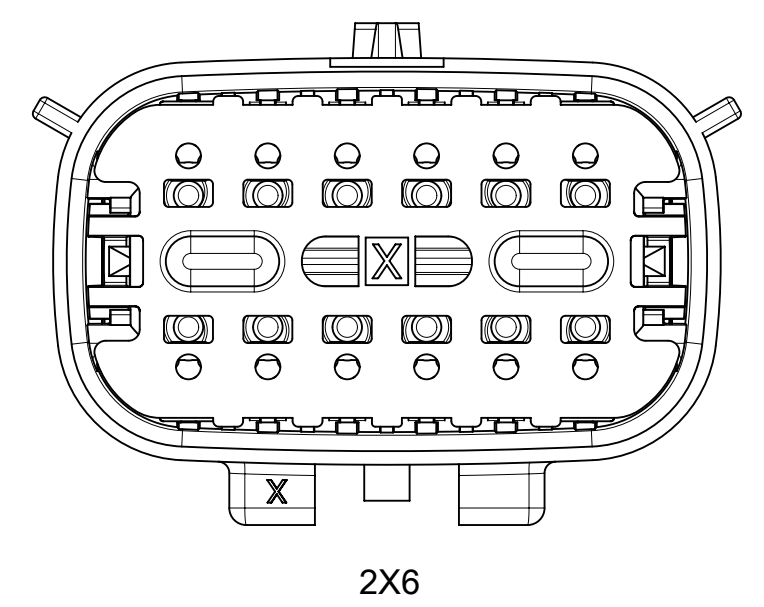
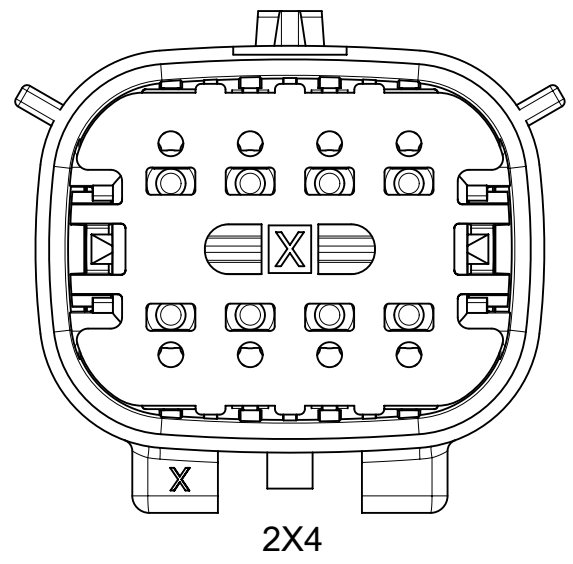


INSPECTION NUMBER LOG	
LAST NUMBER:	
ADDED:	
REMOVED:	

A5	ADDED MOLEX BACKSHELL DETAILS
A4	MIGRATED FROM COCREATE AND IMPORTED DXF FILES
A3	ADDED SHEET 6 & UPDATED PASS THRU
A2	UPDATED NOTES & BACKSHELL INFO
A1	CORRECTED DIM 16
A	INITIAL RELEASE
REV	REV DESCRIPTION

SYMBOLS = 0 mm = 0 1.5:1 = 0 GENERAL TOLERANCES (UNLESS SPECIFIED) = 0 ANGULAR TOL ± 3.0° = 0 4 PLACES ± = 0 3 PLACES ± = 0 2 PLACES ± 0.1 = 0 1 PLACE ± 0.2 = 0 0 PLACES ± = 0 DRAFT WHERE APPLICABLE MUST REMAIN WITHIN DIMENSIONS	THIS DRAWING CONTAINS INFORMATION THAT IS PROPRIETARY TO MOLEX ELECTRONIC TECHNOLOGIES, LLC AND SHOULD NOT BE USED WITHOUT WRITTEN PERMISSION		CURRENT REV DESC: EC NO: 171650 DRWN: PMANJUNATHAC 2018/01/01 CHK'D: MVANSLAMBROU 2018/02/16 APPR: MVANSLAMBROU 2018/02/16		 MX150 GEN 2 BLADE DUAL ROW SEALED ASSEMBLY MAT SEAL PRODUCT CUSTOMER DRAWING		
	INITIAL REVISION: DRWN: KBORUSZEWSKI 2014/02/19 APPR: VKOSHY 2014/03/05		DOCUMENT NUMBER SD-160011-0001	DOC TYPE PSD		DOC PART 001	REVISION A5
	THIRD ANGLE PROJECTION 	DRAWING A1-SIZE	SERIES 160011	MATERIAL NUMBER GENERAL MARKET		CUSTOMER GENERAL MARKET	SHEET NUMBER 1 OF 11
	DOCUMENT STATUS P1 RELEASE DATE 2018/02/16 22:02:24						

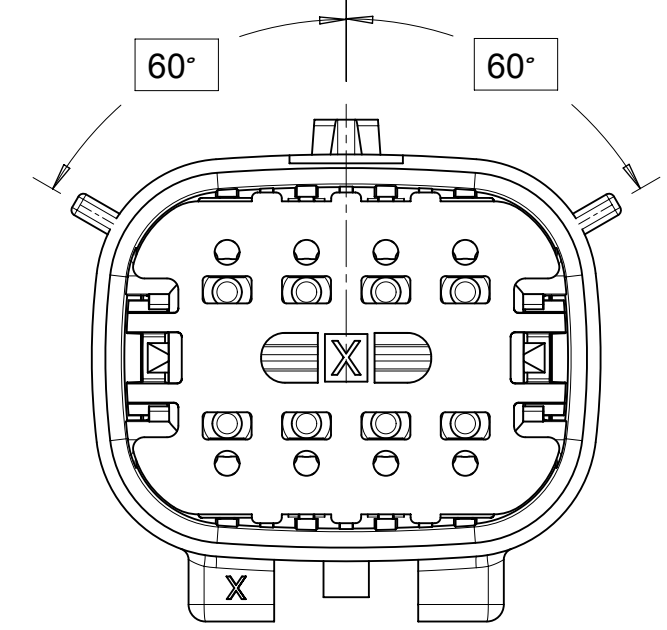
SHEET DESCRIPTION
CONFIGURATIONS



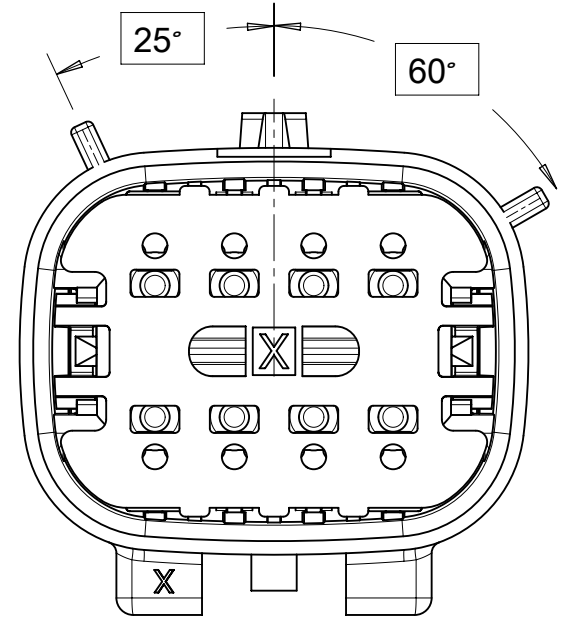
SYMBOLS	THIS DRAWING CONTAINS INFORMATION THAT IS PROPRIETARY TO MOLEX ELECTRONIC TECHNOLOGIES, LLC AND SHOULD NOT BE USED WITHOUT WRITTEN PERMISSION		CURRENT REV DESC:				
	DIMENSION UNITS	SCALE					
▽ = 0	mm	3:1	DRWN: PMANJUNATHAC 2018/01/01	SD-160011-0001	PSD	001	A5
▽ = 0	GENERAL TOLERANCES (UNLESS SPECIFIED)		CHK'D: MVANSLAMBROU 2018/02/16	PRODUCT CUSTOMER DRAWING			
▽ = 0	ANGULAR TOL ± 3.0°		APPR: MVANSLAMBROU 2018/02/16	INITIAL REVISION:			
▽ = 0	4 PLACES	±	DRWN: KBORUSZEWSKI 2014/02/19	MATERIAL NUMBER			
▽ = 0	3 PLACES	±	APPR: VKOSHY 2014/03/05	CUSTOMER			
▽ = 0	2 PLACES	± 0.1	DRAWING				
▽ = 0	1 PLACE	± 0.2	SERIES				
▽ = 0	0 PLACES	±	DRAWING				
▽ = 0	DRAFT WHERE APPLICABLE MUST REMAIN WITHIN DIMENSIONS		THIRD ANGLE PROJECTION		DRAWING		SHEET NUMBER
▽ = 0			A1-SIZE		160011		2 OF 11

SHEET DESCRIPTION
KEY CONFIGURATIONS

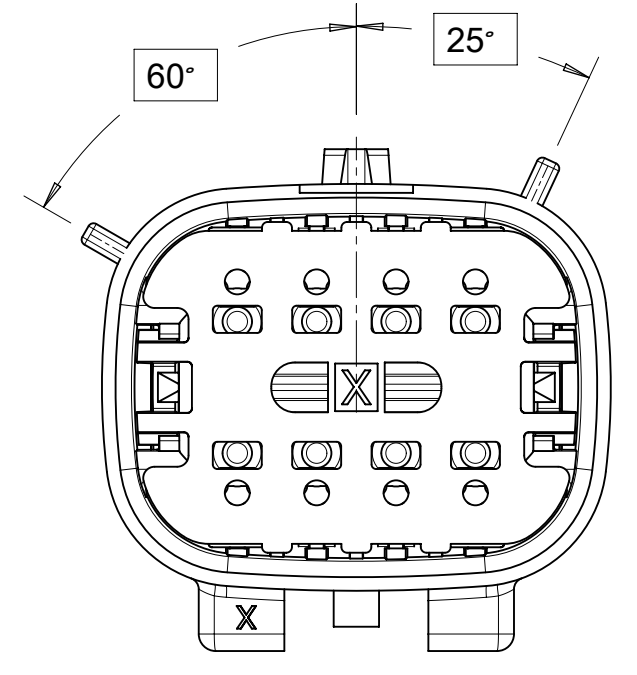
2X4



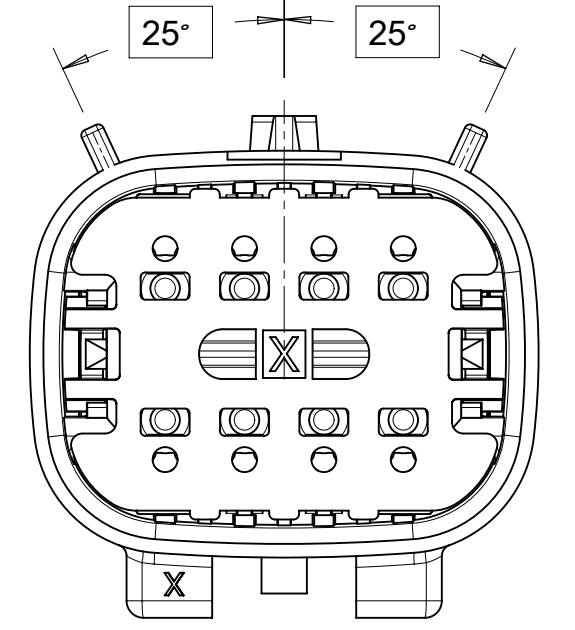
KEY A



KEY B



KEY C



KEY D

THIS DRAWING CONTAINS INFORMATION THAT IS PROPRIETARY TO MOLEX ELECTRONIC TECHNOLOGIES, LLC AND SHOULD NOT BE USED WITHOUT WRITTEN PERMISSION

SYMBOLS	DIMENSION UNITS	SCALE
	mm	3:1
	GENERAL TOLERANCES (UNLESS SPECIFIED)	
	ANGULAR TOL ± 3.0°	
	4 PLACES	±
	3 PLACES	±
	2 PLACES	± 0.1
	1 PLACE	± 0.2
	0 PLACES	±
	DRAFT WHERE APPLICABLE MUST REMAIN WITHIN DIMENSIONS	

CURRENT REV DESC:		
EC NO:	171650	
DRWN:	PMANJUNATHAC	2018/01/01
CHK'D:	MVANSLAMBROU	2018/02/16
APPR:	MVANSLAMBROU	2018/02/16
INITIAL REVISION:		
DRWN:	KBORUSZEWSKI	2014/02/19
APPR:	VKOSHY	2014/03/05
THIRD ANGLE PROJECTION	DRAWING	SERIES
	A1-SIZE	160011

molex

MX150 GEN 2 BLADE
DUAL ROW SEALED ASSEMBLY MAT SEAL

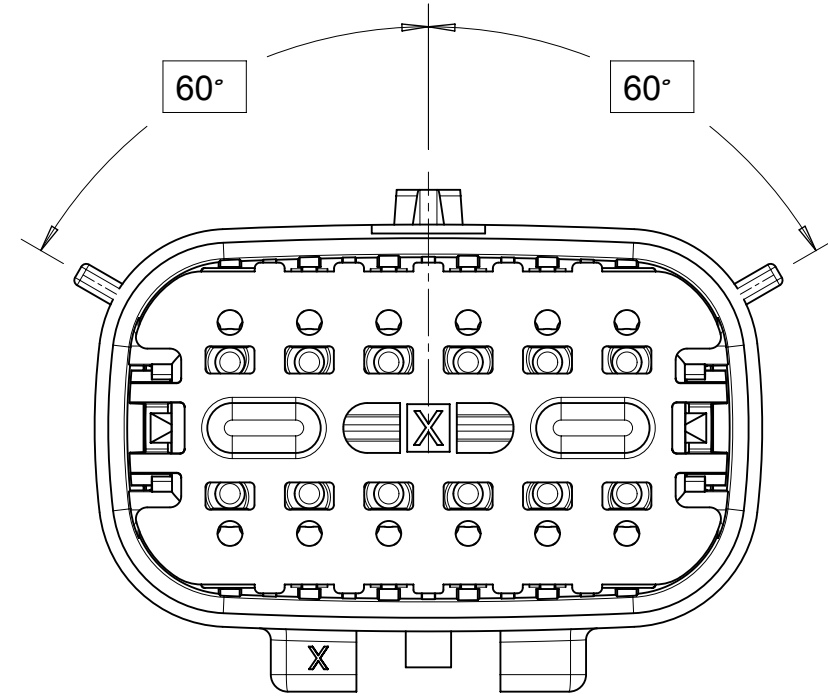
PRODUCT CUSTOMER DRAWING

DOCUMENT NUMBER	DOC TYPE	DOC PART	REVISION
SD-160011-0001	PSD	001	A5

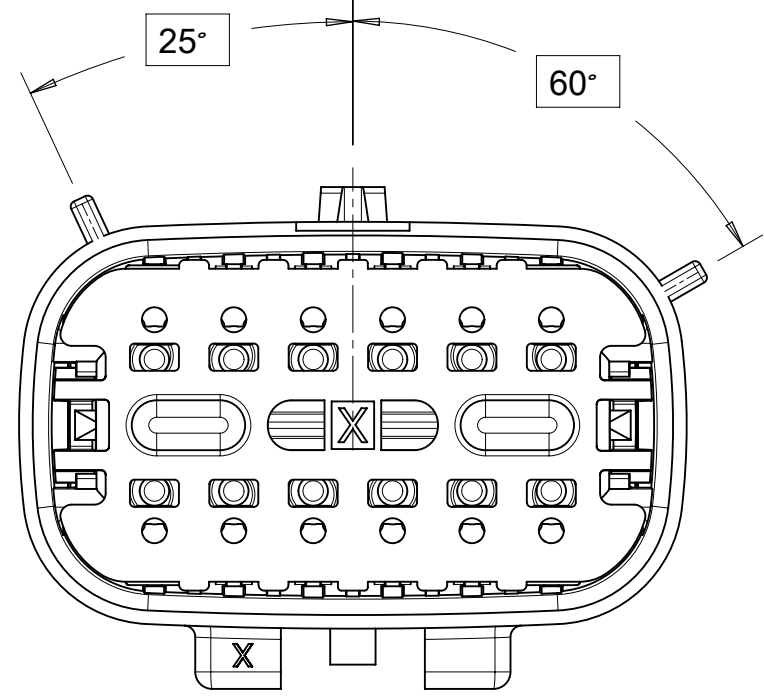
MATERIAL NUMBER	CUSTOMER	SHEET NUMBER
	GENERAL MARKET	3 OF 11

SHEET DESCRIPTION
KEY CONFIGURATIONS CONT.

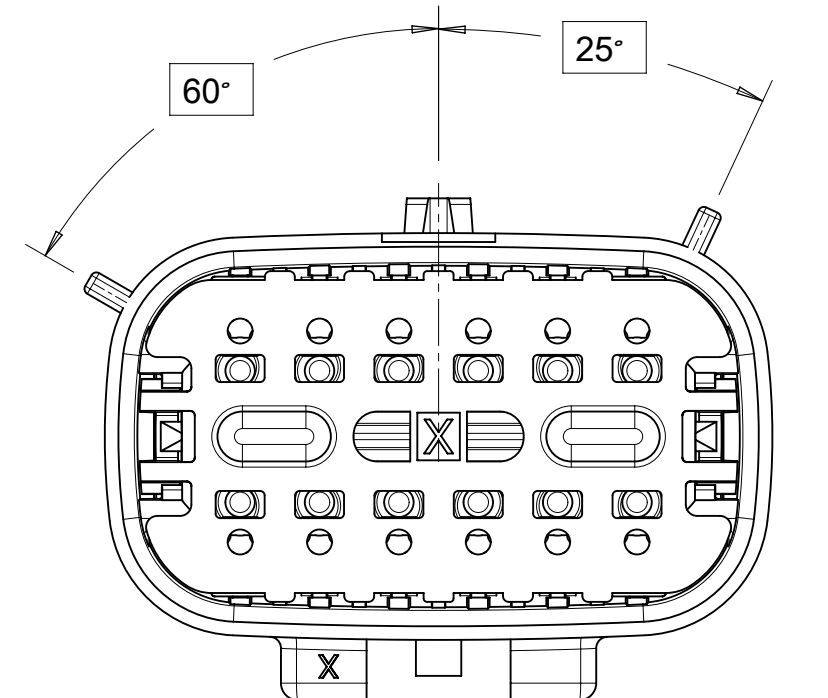
2X6



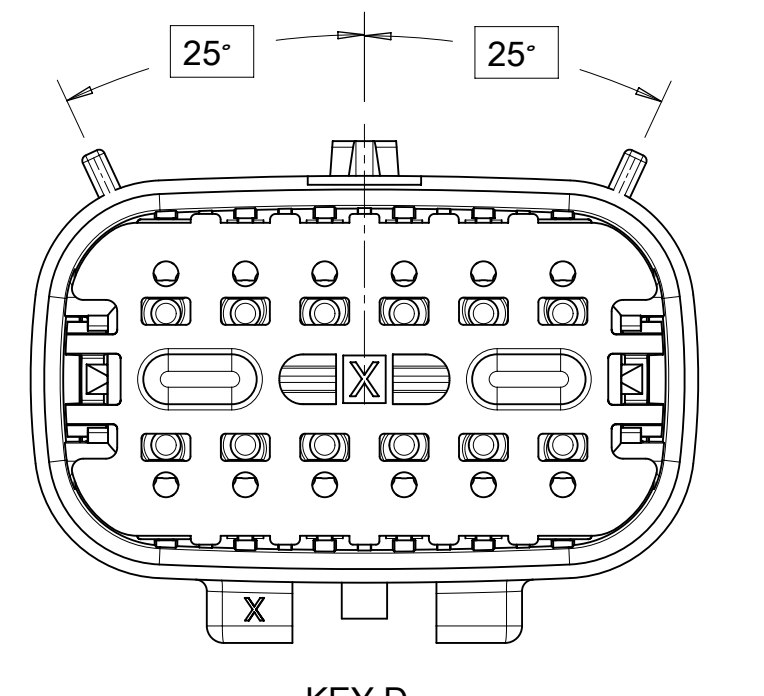
KEY A



KEY B

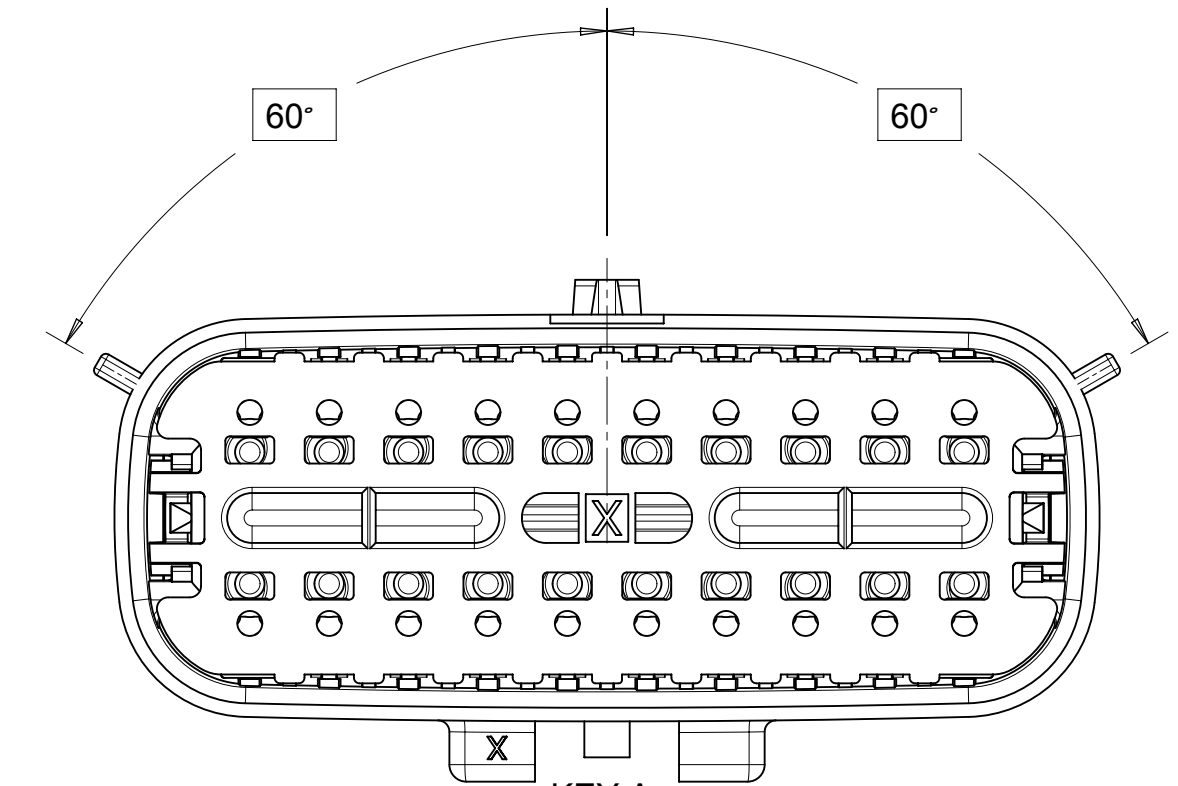


KEY C

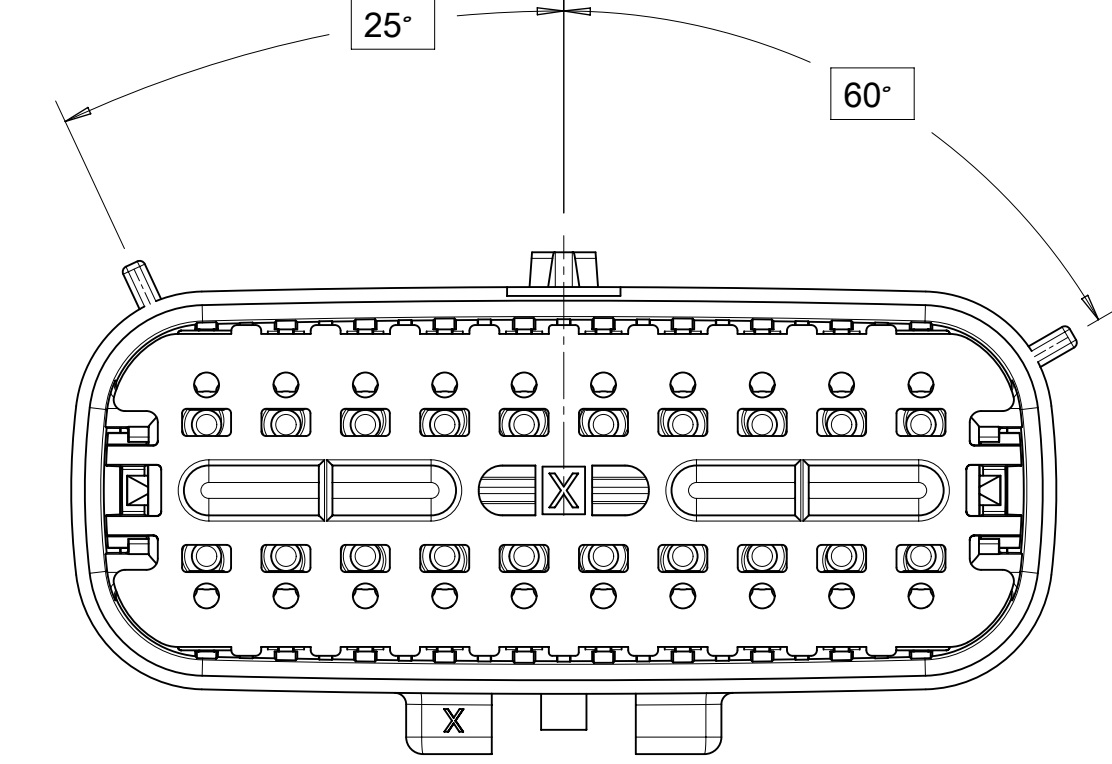


KEY D

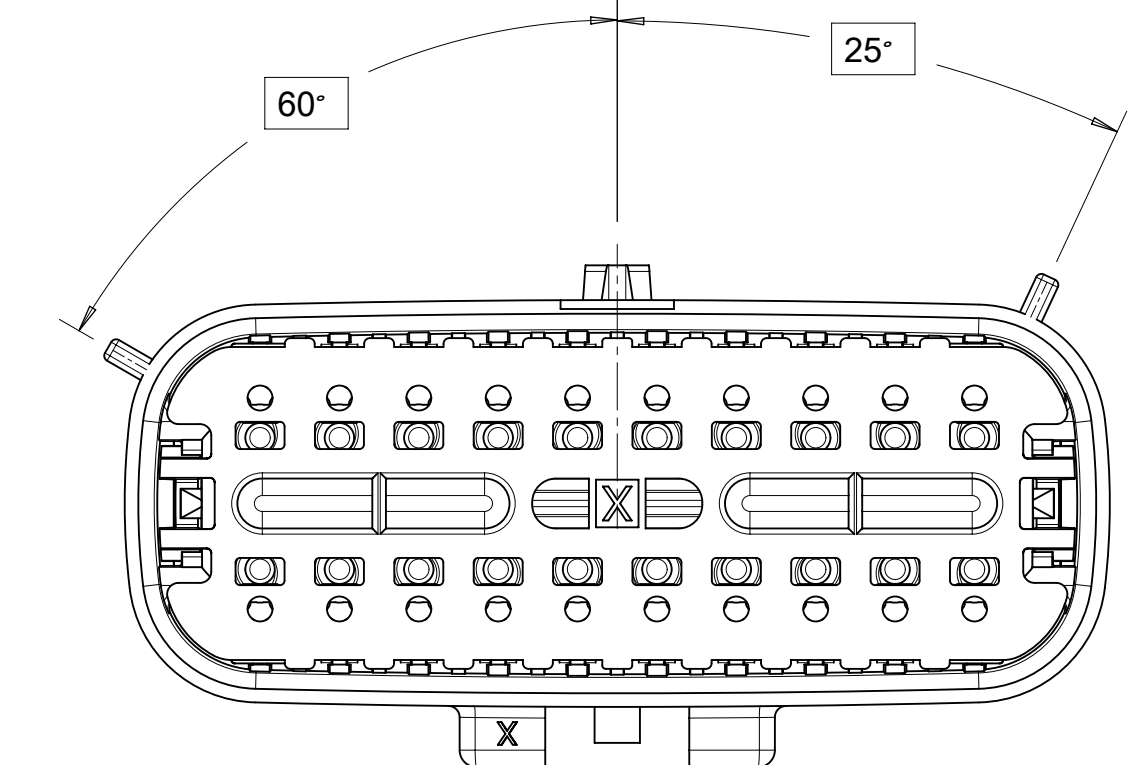
2X10



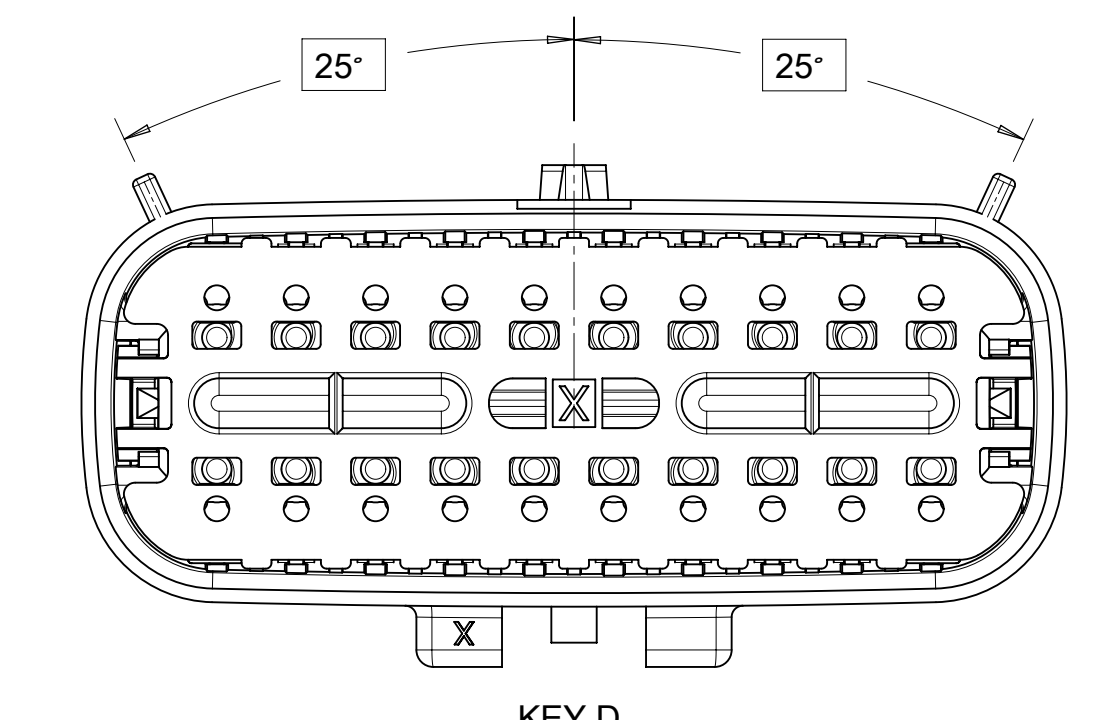
KEY A



KEY B



KEY C

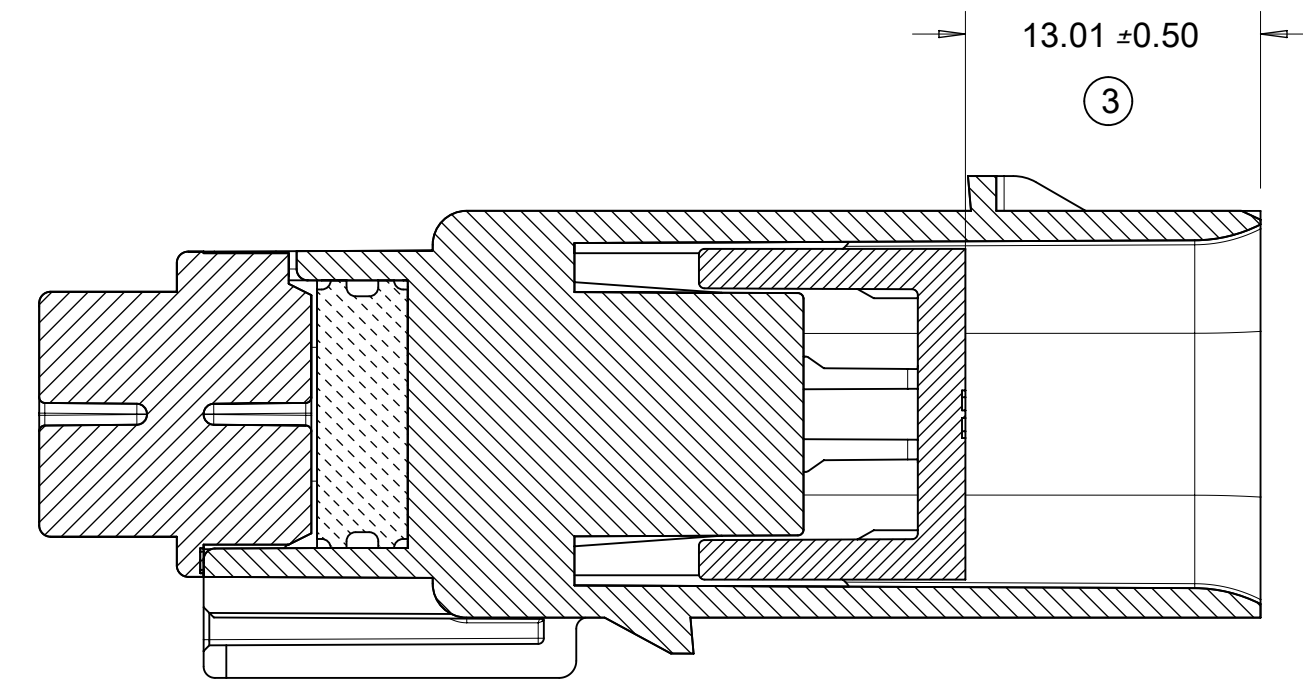
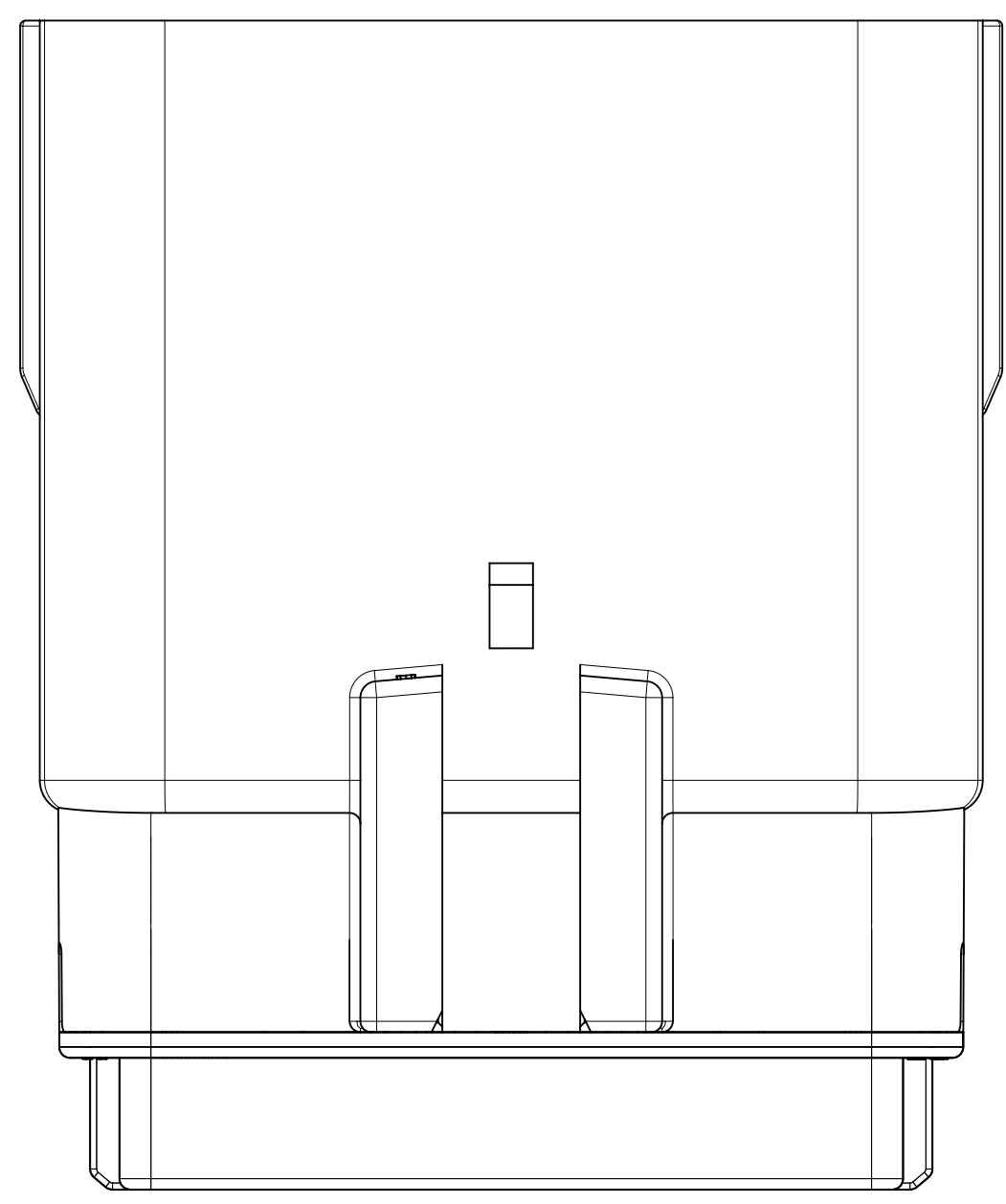
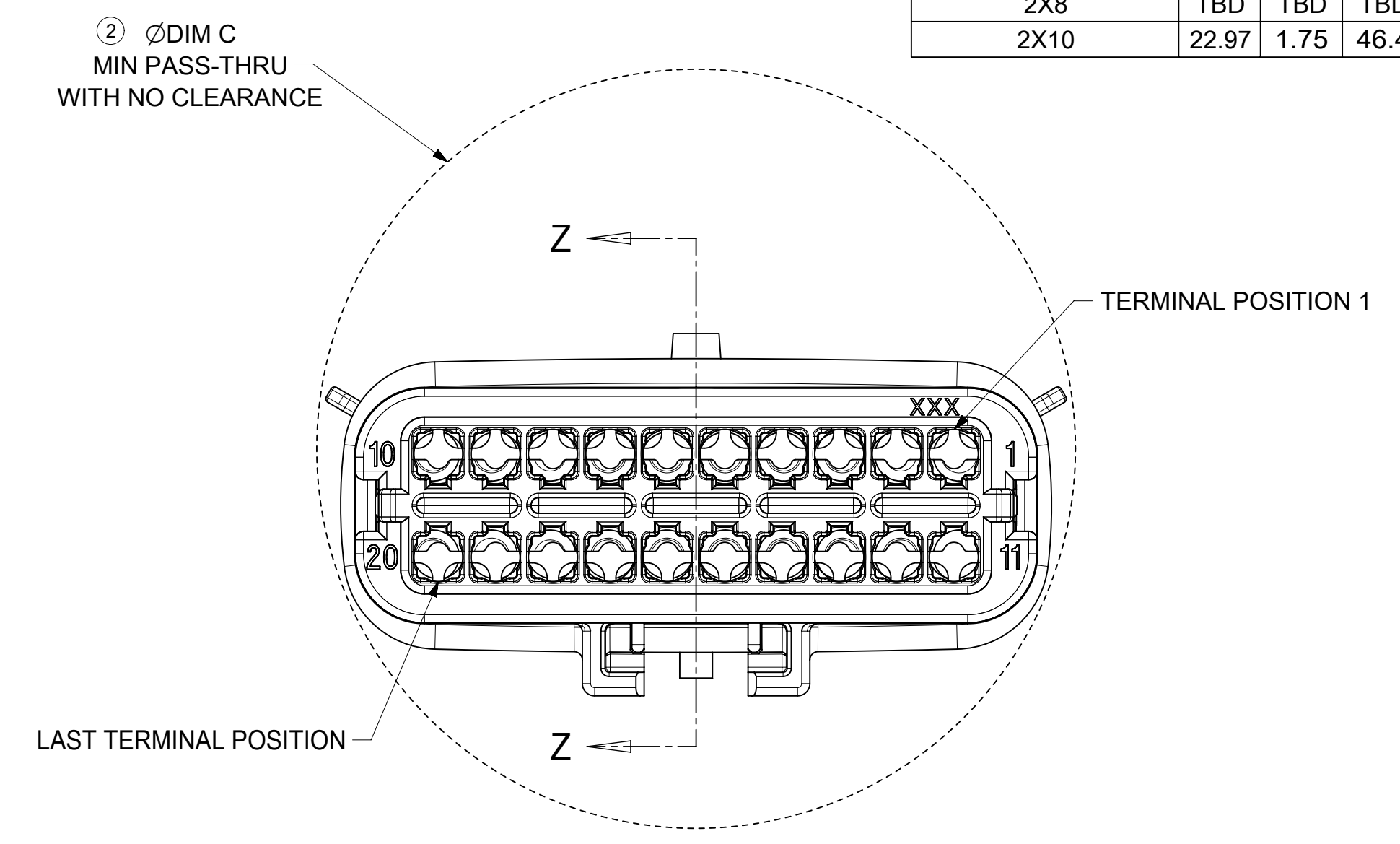
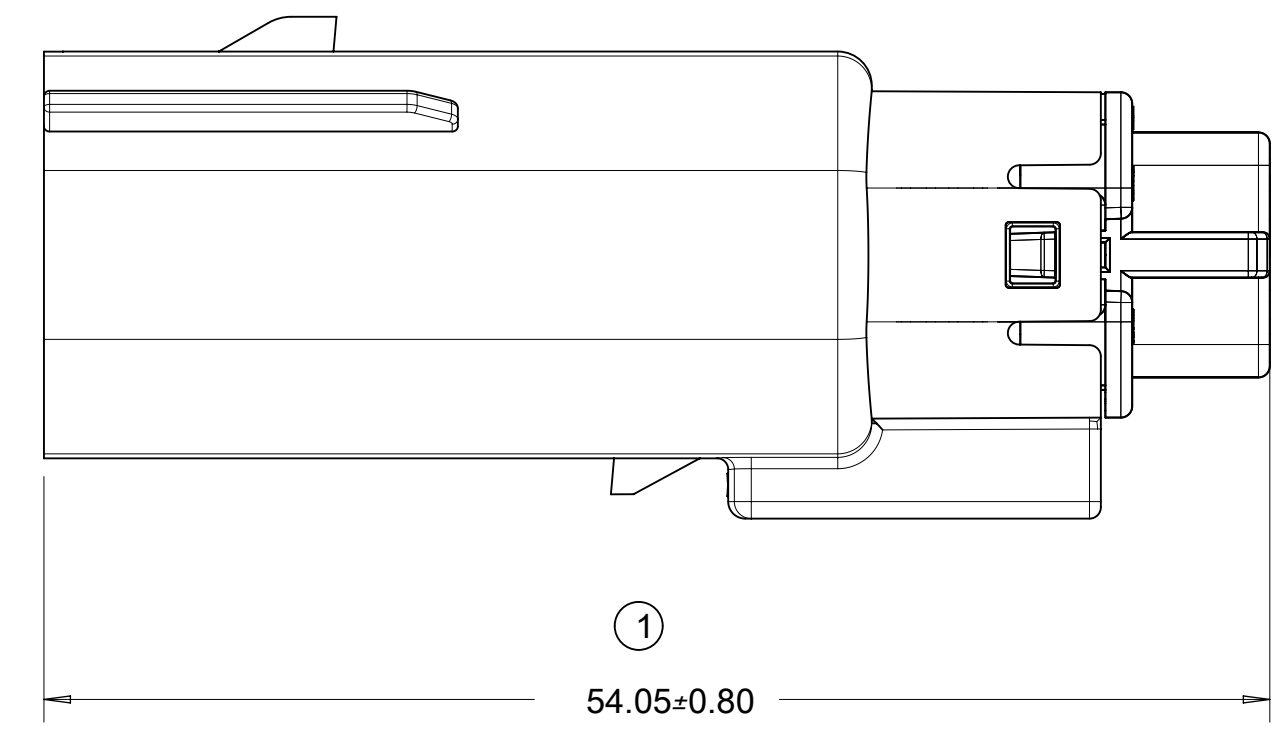
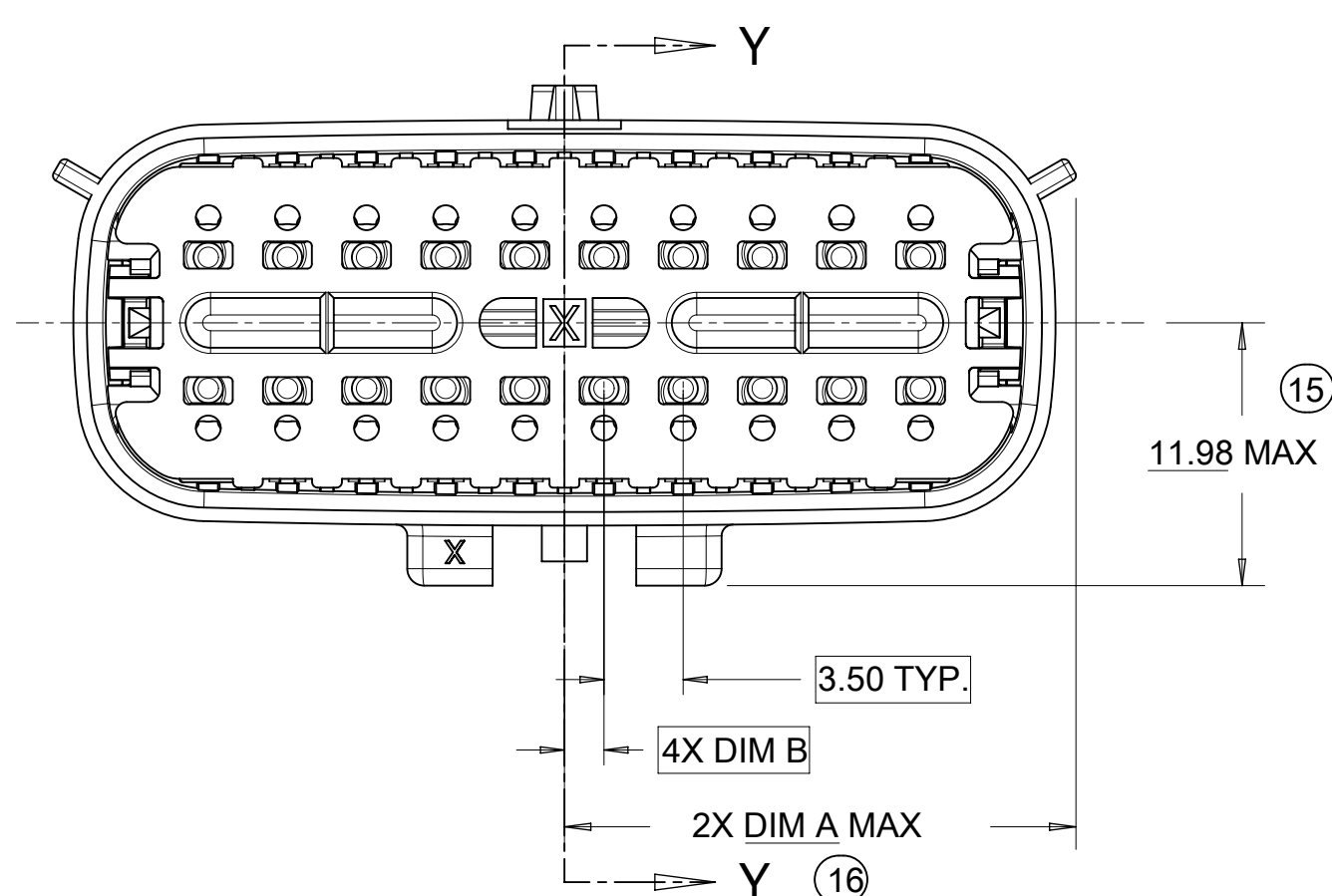
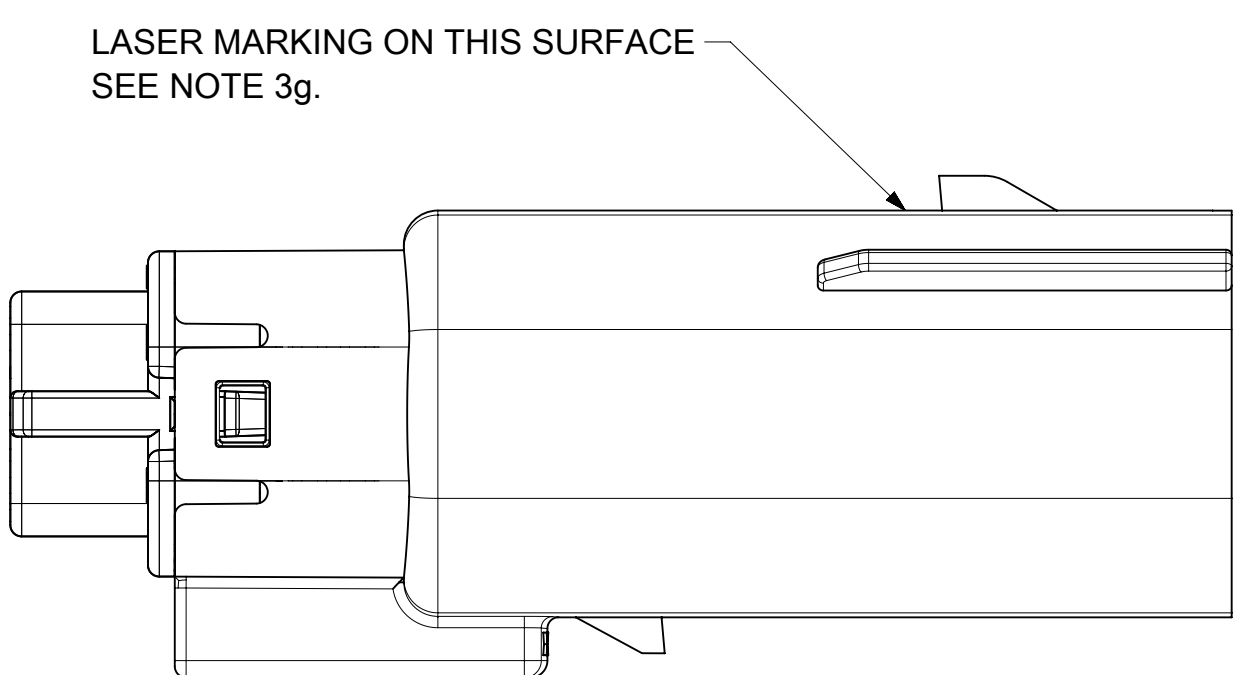


KEY D

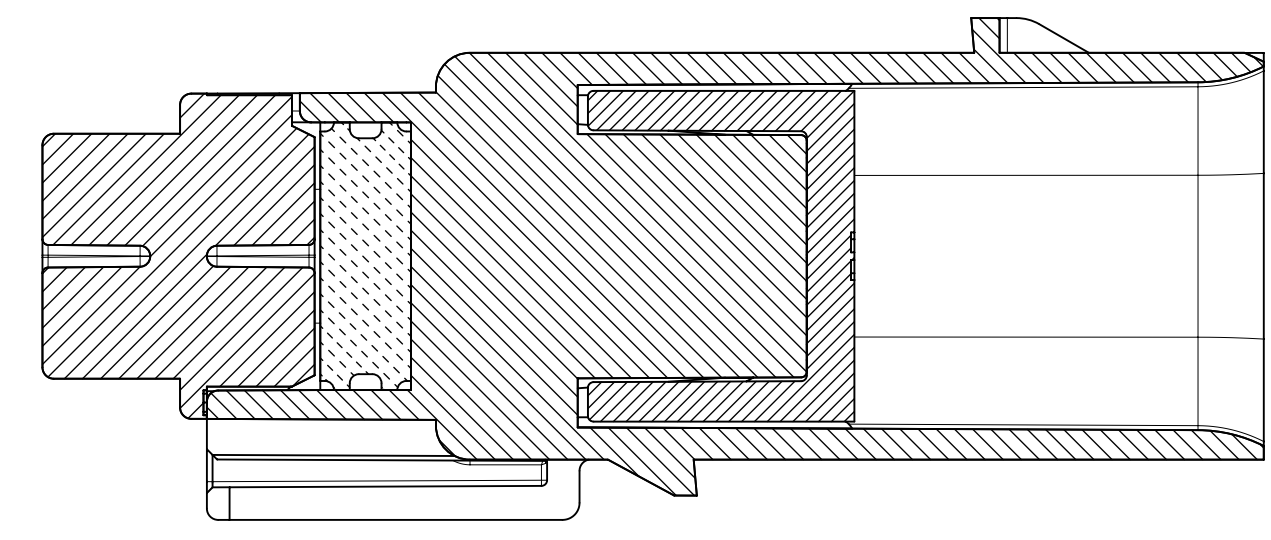
SYMBOLS = 0	THIS DRAWING CONTAINS INFORMATION THAT IS PROPRIETARY TO MOLEX ELECTRONIC TECHNOLOGIES, LLC AND SHOULD NOT BE USED WITHOUT WRITTEN PERMISSION DIMENSION UNITS: mm SCALE: 3:1 GENERAL TOLERANCES (UNLESS SPECIFIED) ANGULAR TOL: ± 3.0° 4 PLACES ± 3 PLACES ± 2 PLACES ± 0.1 1 PLACE ± 0.2 0 PLACES ± DRAFT WHERE APPLICABLE MUST REMAIN WITHIN DIMENSIONS	CURRENT REV DESC: EC NO: 171650 DRWN: PMANJUNATHAC 2018/01/01 CHK'D: MVANSLAMBROU 2018/02/16 APPR: MVANSLAMBROU 2018/02/16 INITIAL REVISION: DRWN: KBORUSZEWSKI 2014/02/19 APPR: VKOSHY 2014/03/05 THIRD ANGLE PROJECTION DRAWING: A1-SIZE SERIES: 160011	 MX150 GEN 2 BLADE DUAL ROW SEALED ASSEMBLY MAT SEAL PRODUCT CUSTOMER DRAWING DOCUMENT NUMBER: SD-160011-0001 DOC TYPE: PSD DOC PART: 001 REVISION: A5 MATERIAL NUMBER: GENERAL MARKET CUSTOMER: GENERAL MARKET SHEET NUMBER: 4 OF 11
	DOCUMENT STATUS: P1 RELEASE DATE: 2018/02/16 22:02:24		

SHEET DESCRIPTION	
BLADE CONNECTOR ASSEMBLY	

DESCRIPTION	DIMENSIONS		
	A	B	C
2X2	TBD	TBD	TBD
2X3	TBD	TBD	TBD
2X4	12.46	1.75	27.9
2X6	15.96	1.75	32.7
2X8	TBD	TBD	TBD
2X10	22.97	1.75	46.4



PRIMARY LOCK REINFORCER (PLR) SHOWN
IN PRE-STAGE POSITION
SECTION Z-Z



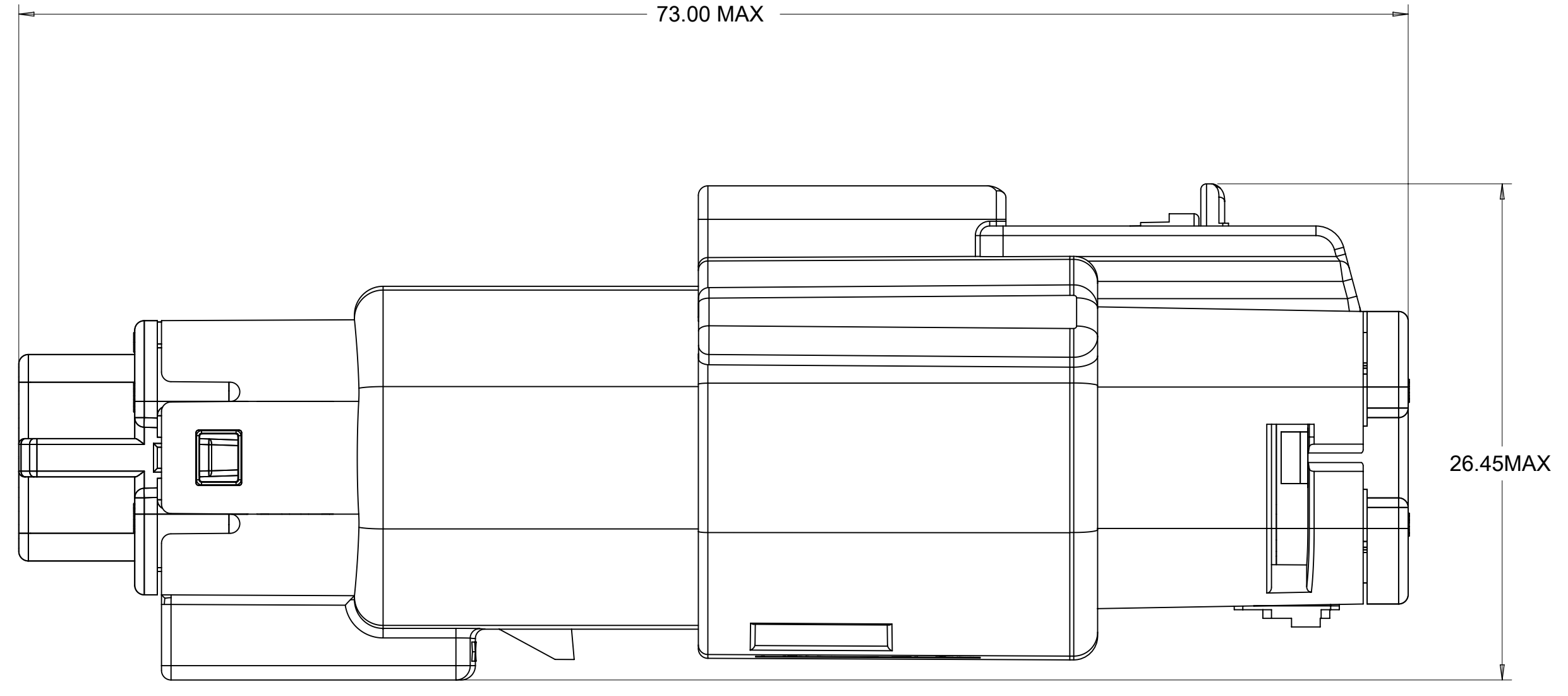
PRIMARY LOCK REINFORCER (PLR) SHOWN
IN FINAL-LOCK POSITION
SECTION Y-Y

SYMBOLS = 0 = 0 = 0 = 0 = 0 = 0 = 0 = 0 = 0	THIS DRAWING CONTAINS INFORMATION THAT IS PROPRIETARY TO MOLEX ELECTRONIC TECHNOLOGIES, LLC AND SHOULD NOT BE USED WITHOUT WRITTEN PERMISSION	DIMENSION UNITS: mm SCALE: 3:1	CURRENT REV DESC: EC NO: 171650 DRWN: PMANJUNATHAC 2018/01/01 CHK'D: MVANSLAMBROU 2018/02/16 APPR: MVANSLAMBROU 2018/02/16	 MX150 GEN 2 BLADE DUAL ROW SEALED ASSEMBLY MAT SEAL		
	GENERAL TOLERANCES (UNLESS SPECIFIED) ANGULAR TOL ± 3.0°	4 PLACES ± 3 PLACES ± 2 PLACES ± 0.1 1 PLACE ± 0.2 0 PLACES ±	INITIAL REVISION: DRWN: KBORUSZEWSKI 2014/02/19 APPR: VKOSHY 2014/03/05			
	DRAFT WHERE APPLICABLE MUST REMAIN WITHIN DIMENSIONS	THIRD ANGLE PROJECTION	DRAWING: A1-SIZE SERIES: 160011	MATERIAL NUMBER: SD-160011-0001 CUSTOMER: GENERAL MARKET	DOC TYPE: PSD DOC PART: 001 REVISION: A5	SHEET NUMBER: 5 OF 11

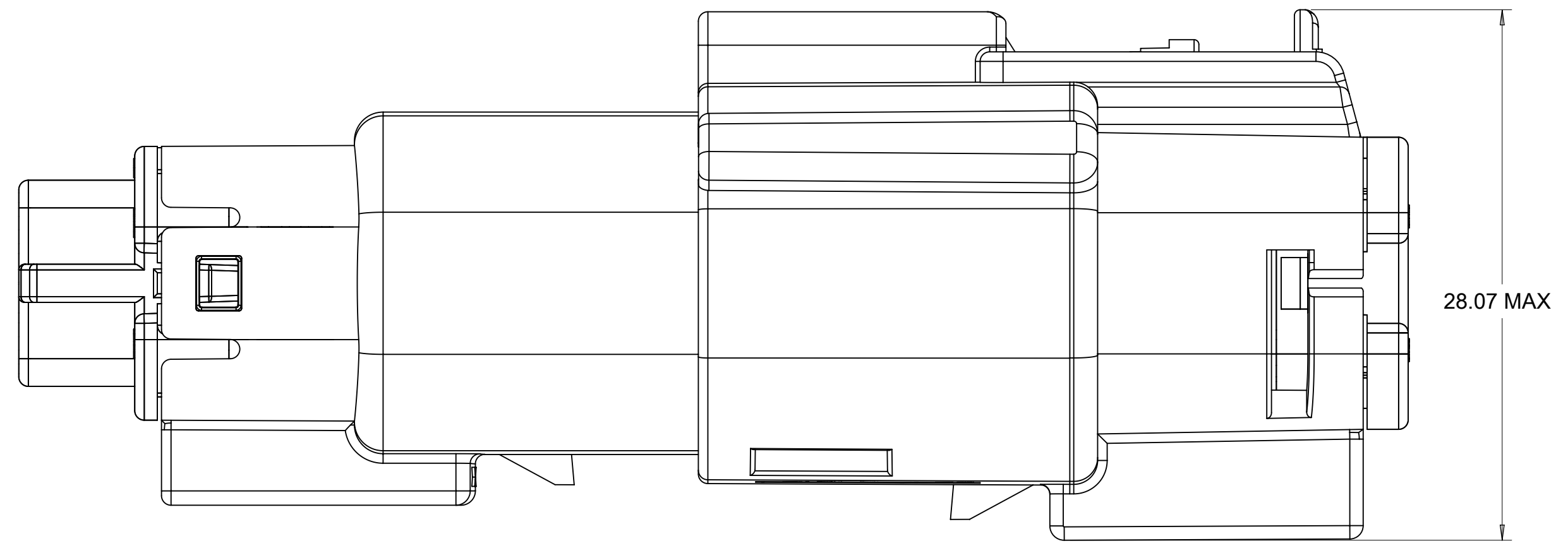
DOCUMENT STATUS	P1	RELEASE DATE	2018/02/16 22:02:24
-----------------	----	--------------	---------------------

SHEET DESCRIPTION
SYSTEM PACKAGING

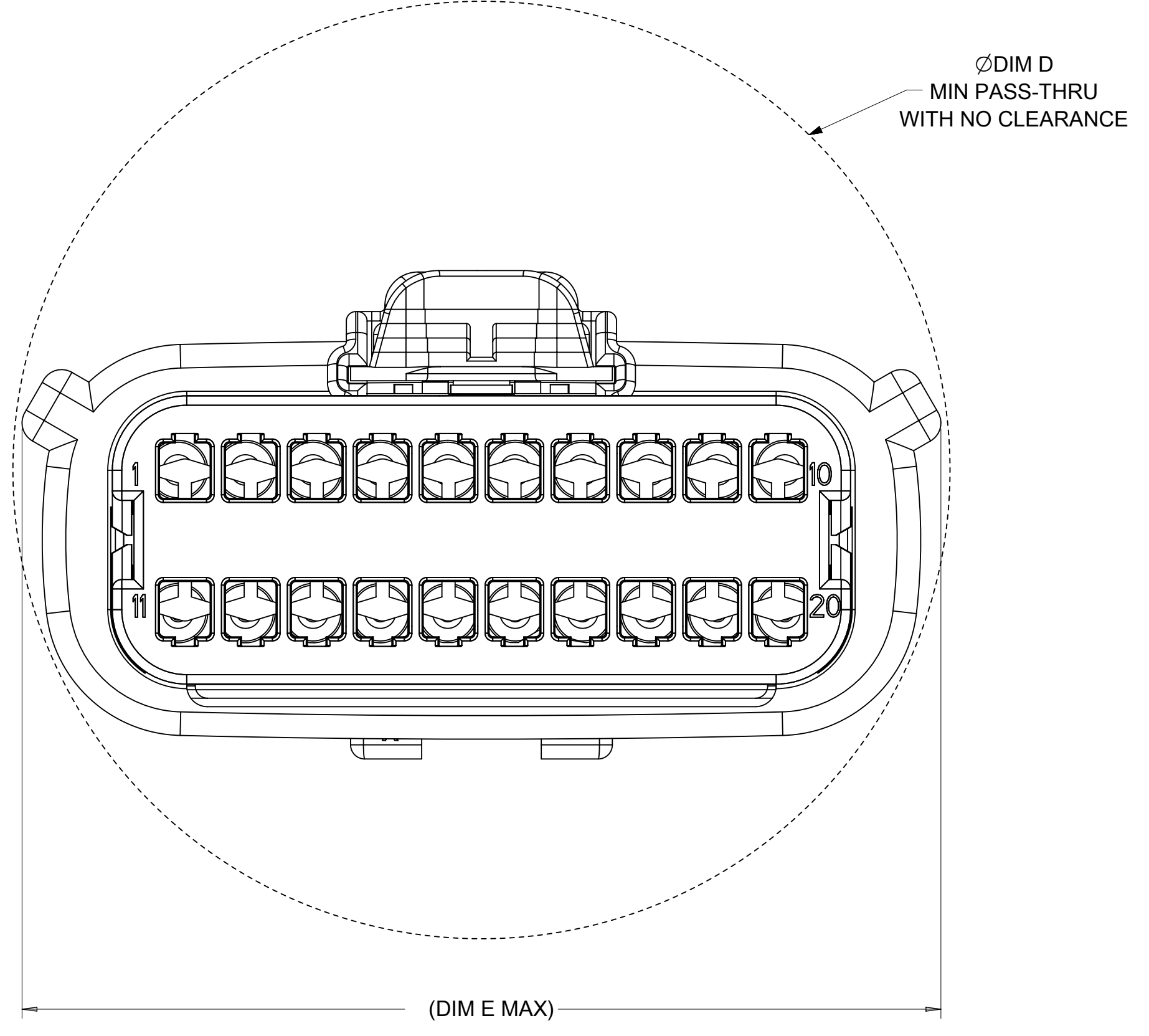
CHARTED DIMENSION				
CKT	BLADE CONFIGURATION	RECEPTACLE CONFIGURATION	DIMENSIONS	
			D	E
2X4	STANDARD	STANDARD	30.1	28.48
		CLIPSLOT	31.1	28.48
2X6	STANDARD	STANDARD	36.3	35.5
		CLIPSLOT	36.3	35.5
2X10	STANDARD	STANDARD	49.8	49.5
		CLIPSLOT	49.8	49.5



STANDARD RECEPTACLE HOUSING



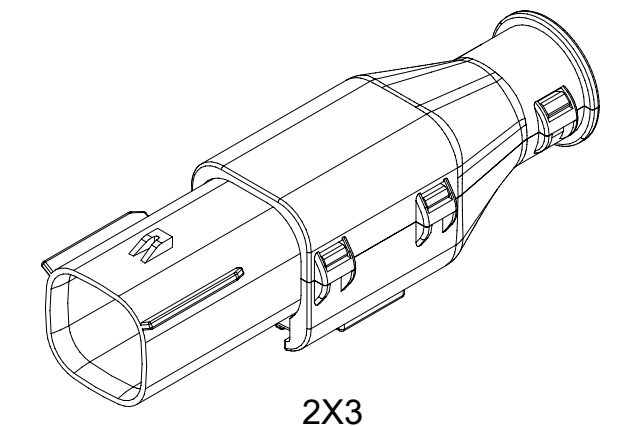
WITH CLIPSLOT RECEPTACLE HOUSING



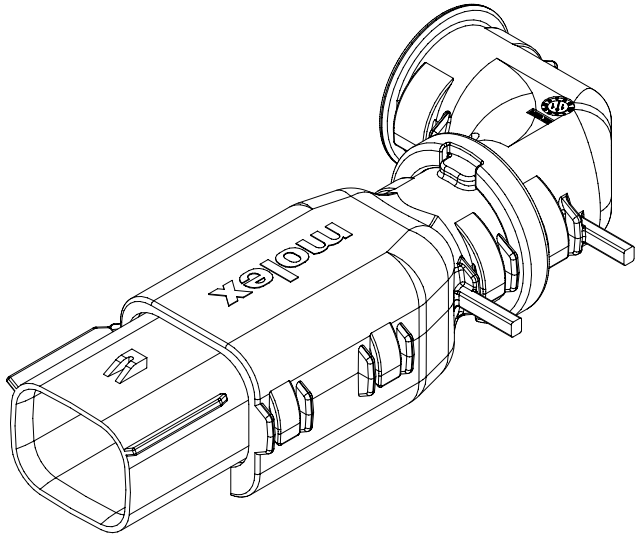
SYMBOLS = 0 = 0 = 0 = 0 = 0 = 0 = 0 = 0 = 0 = 0	THIS DRAWING CONTAINS INFORMATION THAT IS PROPRIETARY TO MOLEX ELECTRONIC TECHNOLOGIES, LLC AND SHOULD NOT BE USED WITHOUT WRITTEN PERMISSION		DIMENSION UNITS: mm SCALE: 4:1		CURRENT REV DESC: EC NO: 171650 DRWN: PMANJUNATHAC 2018/01/01 CHK'D: MVANSLAMBROU 2018/02/16 APPR: MVANSLAMBROU 2018/02/16			
	GENERAL TOLERANCES (UNLESS SPECIFIED) ANGULAR TOL ± 3.0°		4 PLACES ± 3 PLACES ± 2 PLACES ± 0.1 1 PLACE ± 0.2 0 PLACES ±		INITIAL REVISION: DRWN: KBORUSZEWSKI 2014/02/19 APPR: VKOSHY 2014/03/05		PRODUCT CUSTOMER DRAWING DOCUMENT NUMBER: SD-160011-0001 DOC TYPE: PSD DOC PART: 001 REVISION: A5	
	DRAFT WHERE APPLICABLE MUST REMAIN WITHIN DIMENSIONS		THIRD ANGLE PROJECTION		DRAWING: A1-SIZE SERIES: 160011		MATERIAL NUMBER: _____ CUSTOMER: GENERAL MARKET SHEET NUMBER: 6 OF 11	
	DOCUMENT STATUS P1 RELEASE DATE 2018/02/16 22:02:24							

BACKSHELL NOTES: VALID UNLESS OTHERWISE SPECIFIED

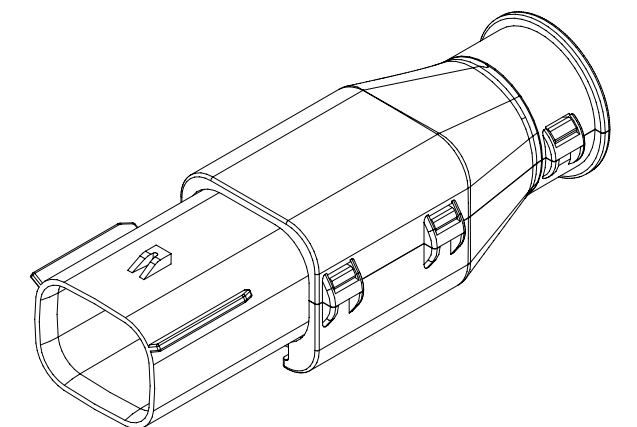
1. GENERAL:
- a. APPLICATION SPECIFICATION SEE: AS-34951-001
- DESIGNED TO MATE WITH BLADE SEALED ASSEMBLY
 - SPECIFIED IN MOLEX DRAWING SD-33482-0001
 - SYSTEM TO BE USED WITH WIRE WITHIN DIAMETER RANGE OF 1.2mm TO 2.69mm
 - COMPONENTS ARE OPTIONAL AND MUST BE PURCHASED SEPERATELY
 - DESIGN IS OWNED BY SCHLEMMER FOR SCHLEMMER BACKSHELL.
 - DESIGN IS OWNED BY MOLEX FOR MOLEX BACKSHELL.
 - 90° ADAPTOR DESIGN IS OWNED BY MOLEX.
 - FOR ADDITIONAL INFORMATION SEE THE BACKSHELL COMPONENT DRAWING SD-34950-0001



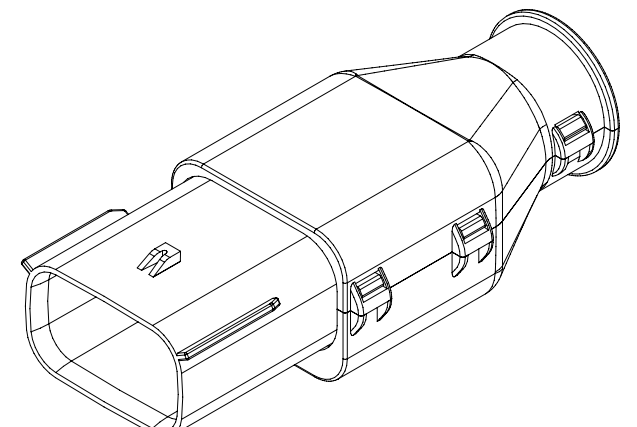
2X3



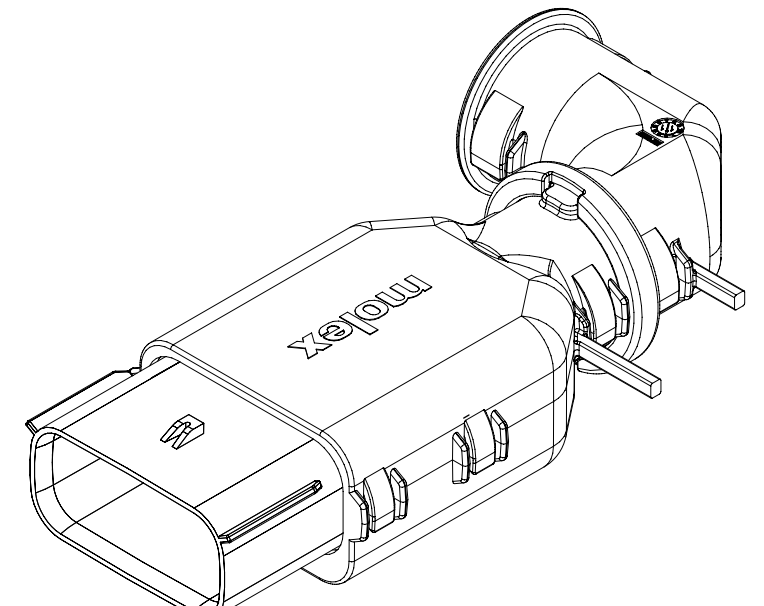
2X4



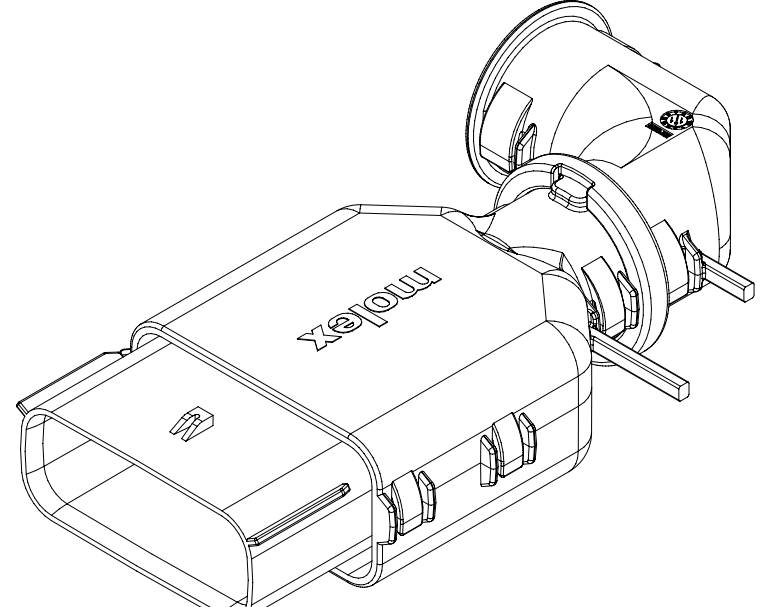
2X4



2X6



2X8



2X10

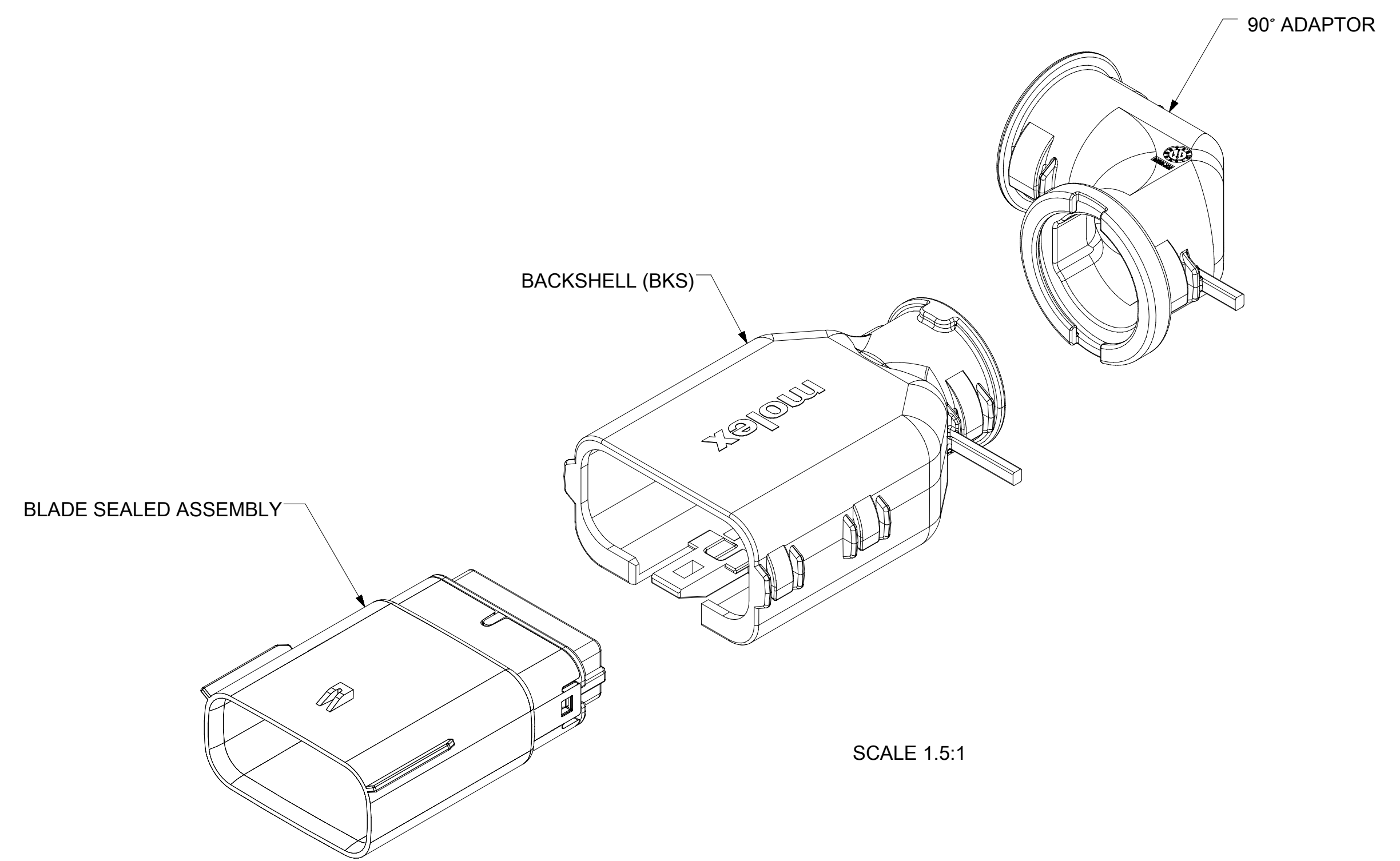
BACKSHELL CUSTOMER MODEL NUMBER LEGEND

34950-XXXX

- CUSTOMER MODEL COMPONENTS
- 0 - SCHLEMMER BACKSHELL ONLY
 - 1 - SCHLEMMER BACKSHELL & MX150 HOUSING KEY A ASSEMBLY
 - 2 - SCHLEMMER BACKSHELL & MX150 HOUSING KEY B ASSEMBLY
 - 3 - SCHLEMMER BACKSHELL & MX150 HOUSING KEY C ASSEMBLY
 - 4 - SCHLEMMER BACKSHELL & MX150 HOUSING KEY D ASSEMBLY
 - 5 - MOLEX BACKSHELL ONLY
 - 6 - MOLEX BACKSHELL & MX150 HOUSING KEY A ASSEMBLY
 - 7 - MOLEX BACKSHELL & MX150 HOUSING KEY B ASSEMBLY
 - 8 - MOLEX BACKSHELL & MX150 HOUSING KEY C ASSEMBLY
 - 9 - MOLEX BACKSHELL & MX150 HOUSING KEY D ASSEMBLY

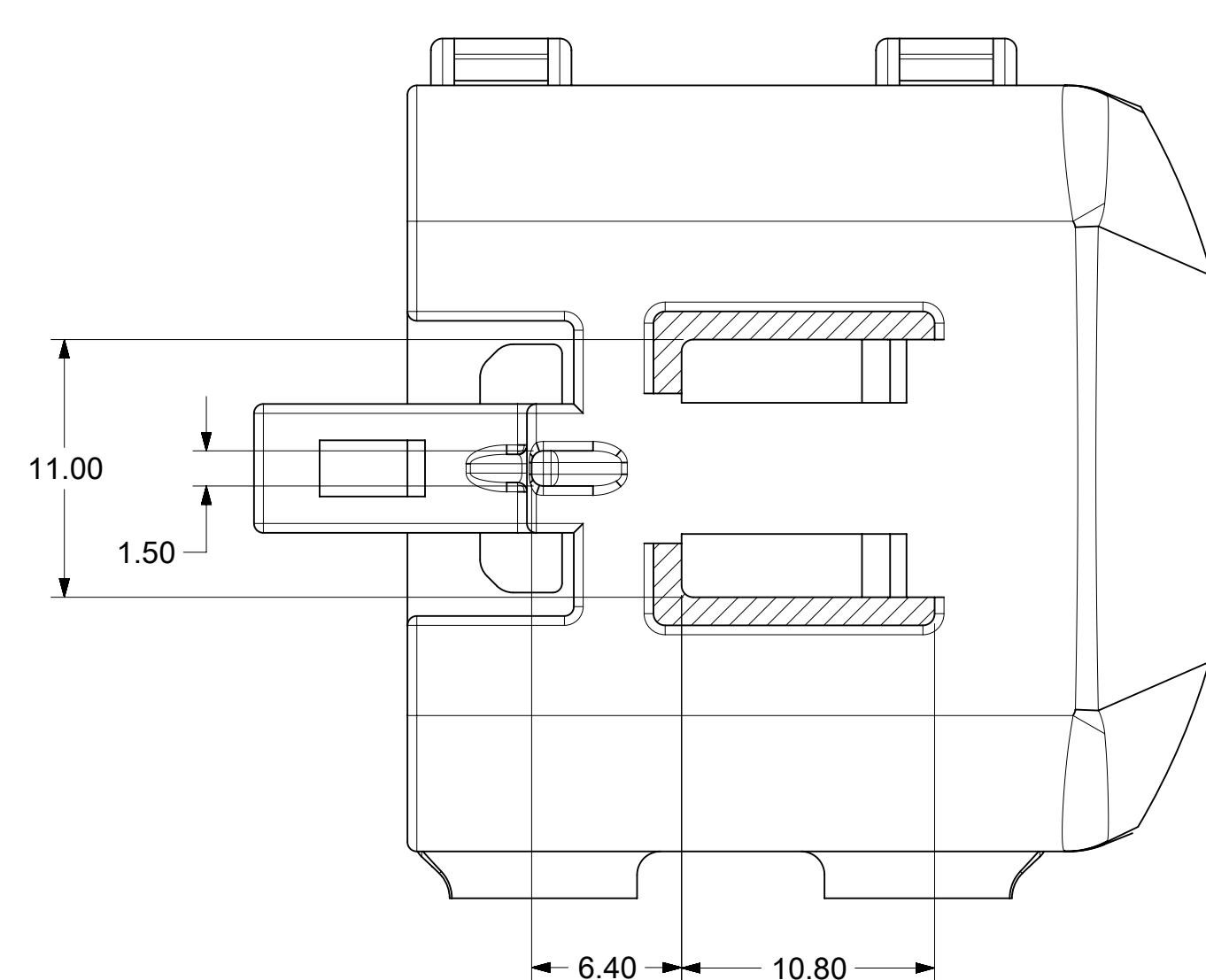
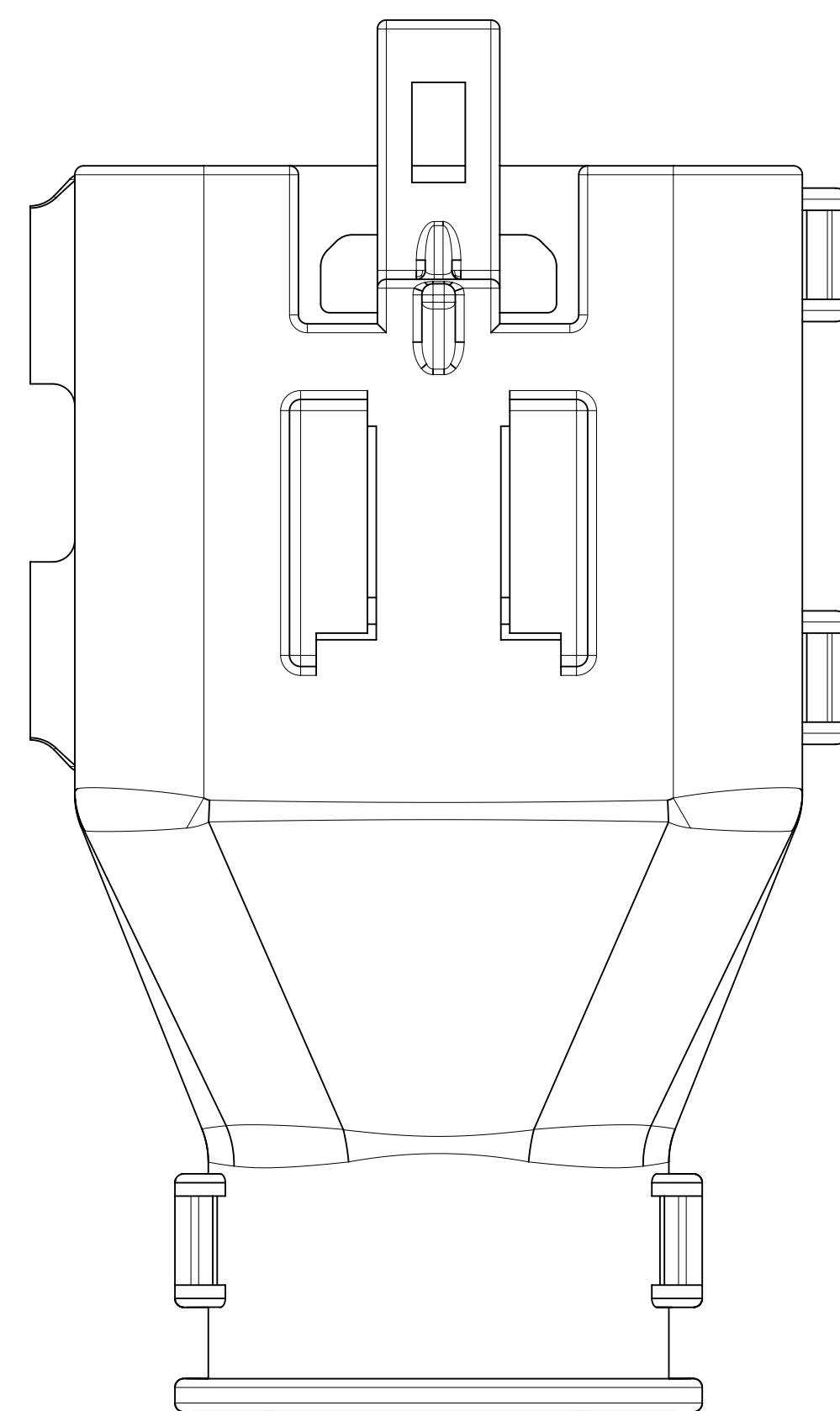
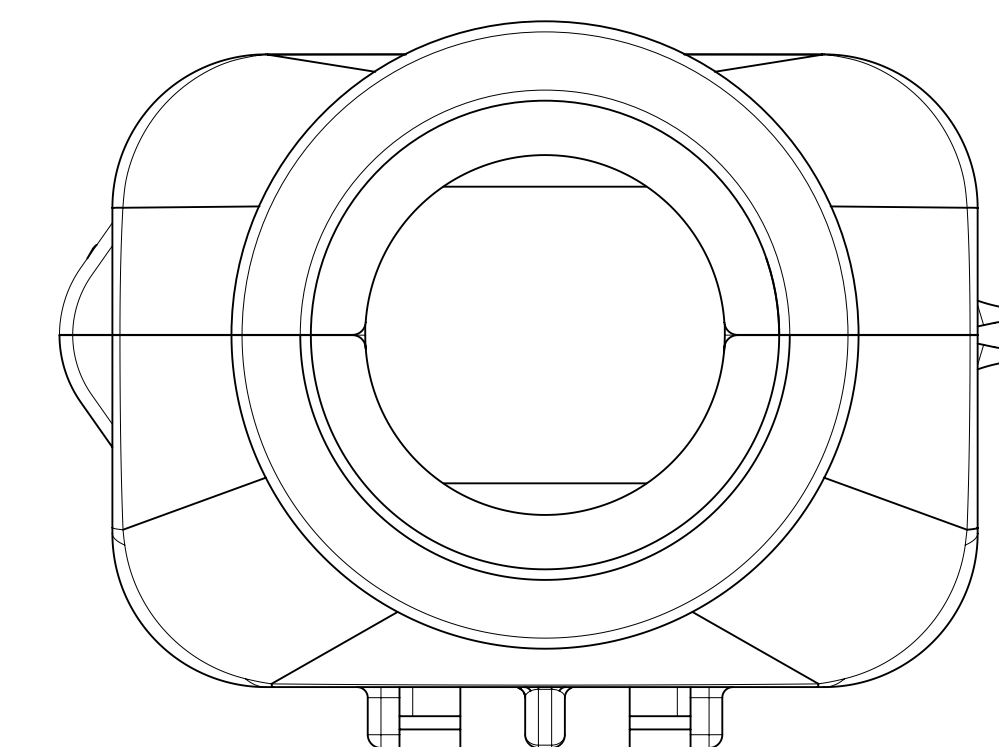
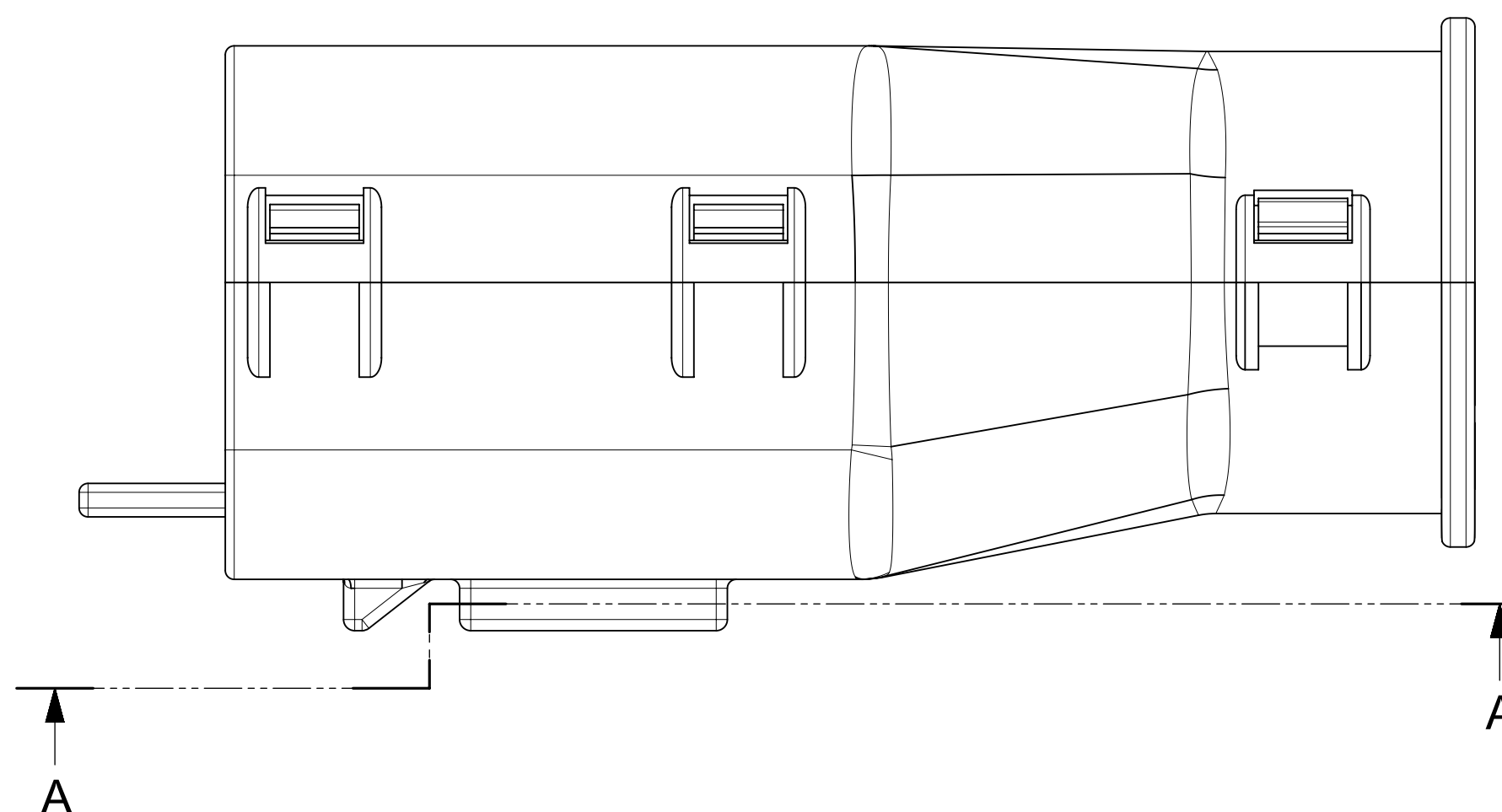
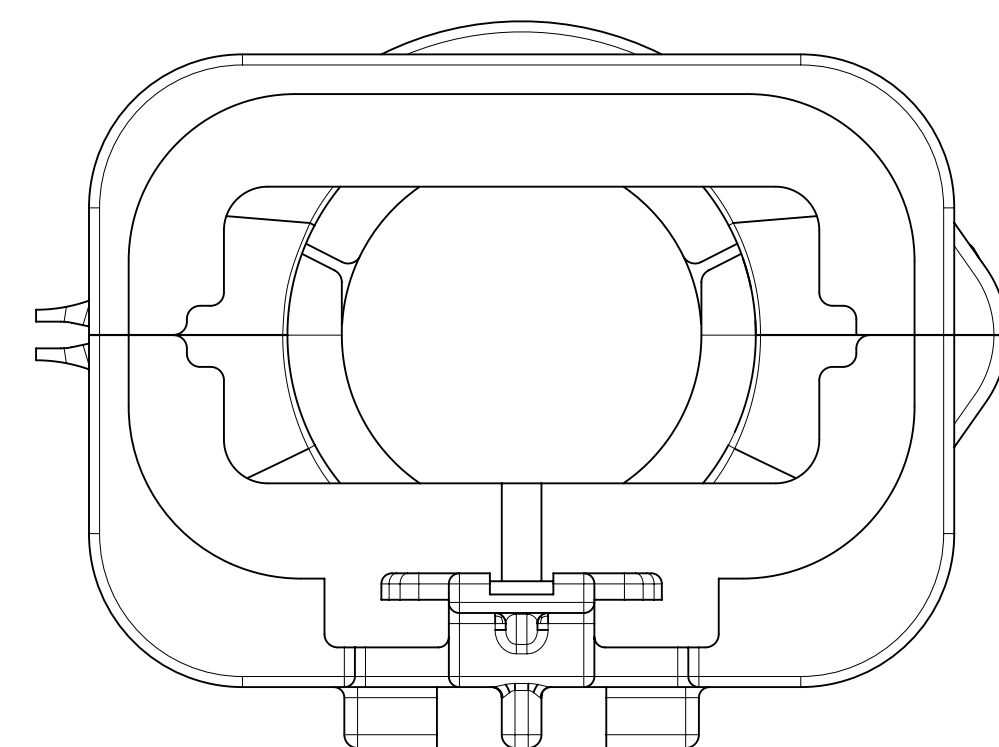
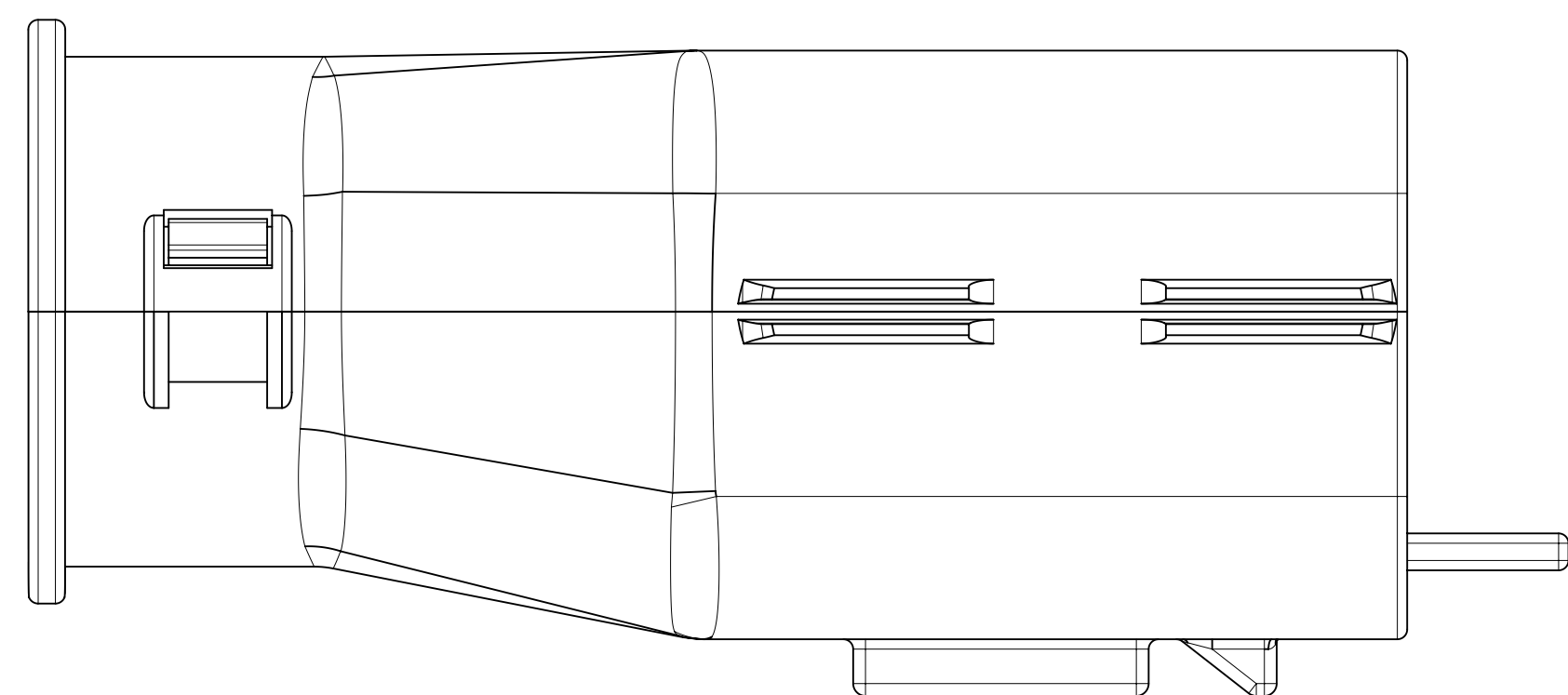
- BACKSHELL FEATURES
- 1 - WITH RIBS
 - 2 - WITHOUT RIBS
 - 3 - 90° ADAPTOR

MX150 CIRCUIT SIZE 04, 06, 08, 12, 16, 20



SYMBOLS = 0 = 0 = 0 = 0 = 0 = 0 = 0 = 0 = 0	THIS DRAWING CONTAINS INFORMATION THAT IS PROPRIETARY TO MOLEX ELECTRONIC TECHNOLOGIES, LLC AND SHOULD NOT BE USED WITHOUT WRITTEN PERMISSION		DIMENSION UNITS mm		SCALE 1.5:1		CURRENT REV DESC: EC NO: 171650 DRWN: PMANJUNATHAC 2018/01/01 CHK'D: MVANSLAMBROU 2018/02/16 APPR: MVANSLAMBROU 2018/02/16							
	GENERAL TOLERANCES (UNLESS SPECIFIED) ANGULAR TOL ± 3.0°		4 PLACES ± 3 PLACES ± 2 PLACES ± 0.1 1 PLACE ± 0.2 0 PLACES ±		INITIAL REVISION: DRWN: KBORUSZEWSKI 2014/02/19 APPR: VKOSHY 2014/03/05				PRODUCT CUSTOMER DRAWING					
DRAFT WHERE APPLICABLE MUST REMAIN WITHIN DIMENSIONS		THIRD ANGLE PROJECTION		DRAWING A1-SIZE		SERIES 160011		MATERIAL NUMBER SD-160011-0001		CUSTOMER GENERAL MARKET		SHEET NUMBER 7 OF 11		

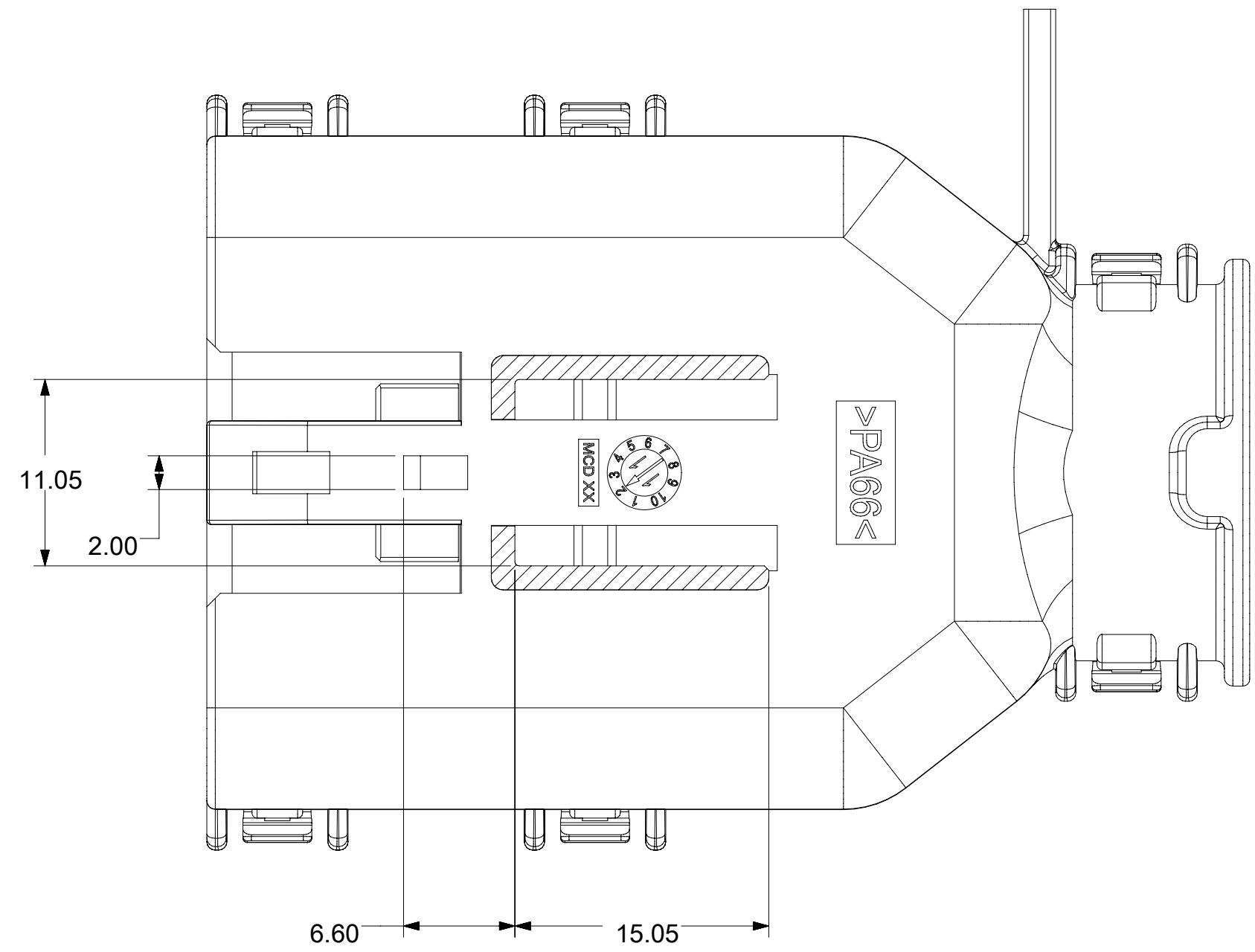
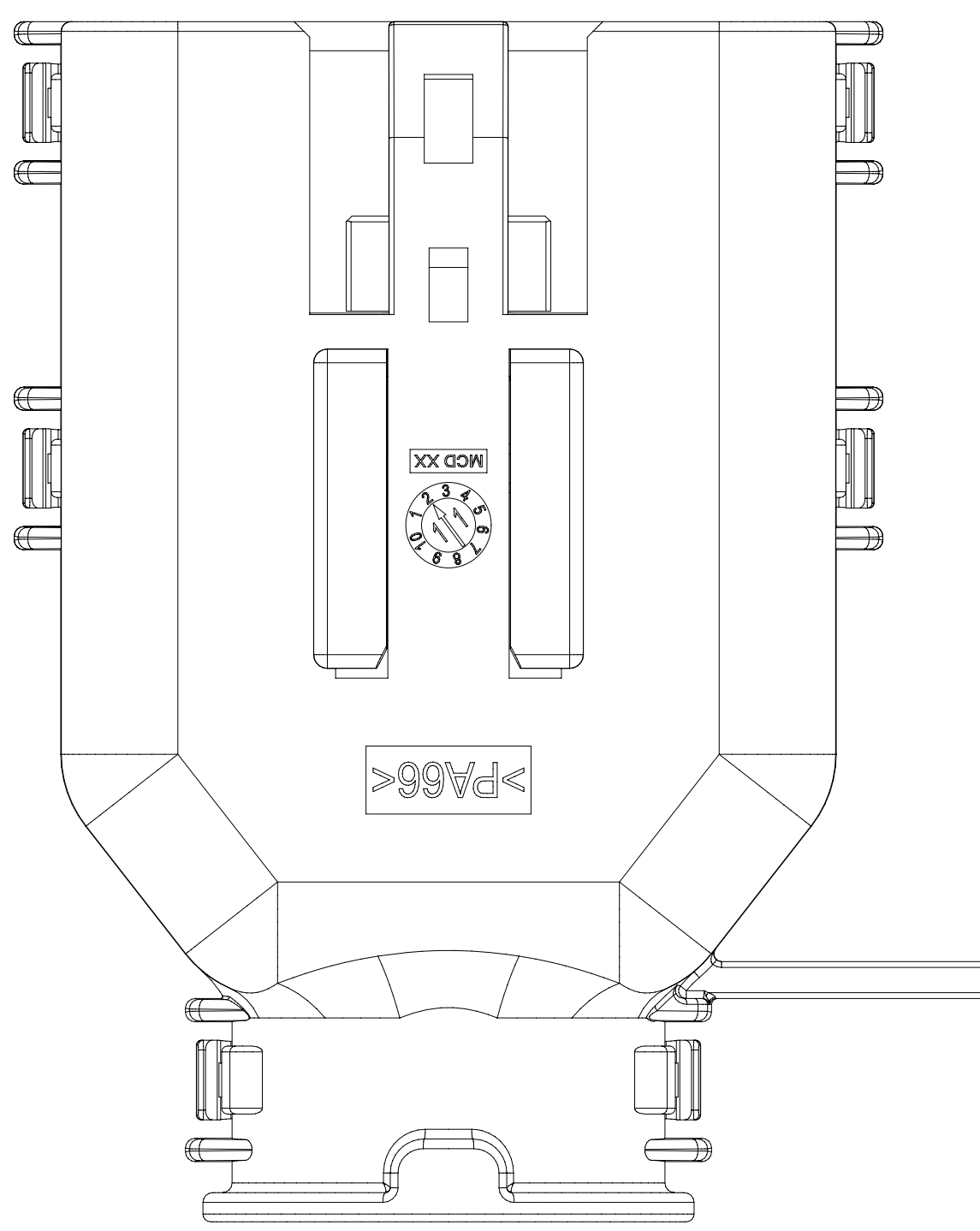
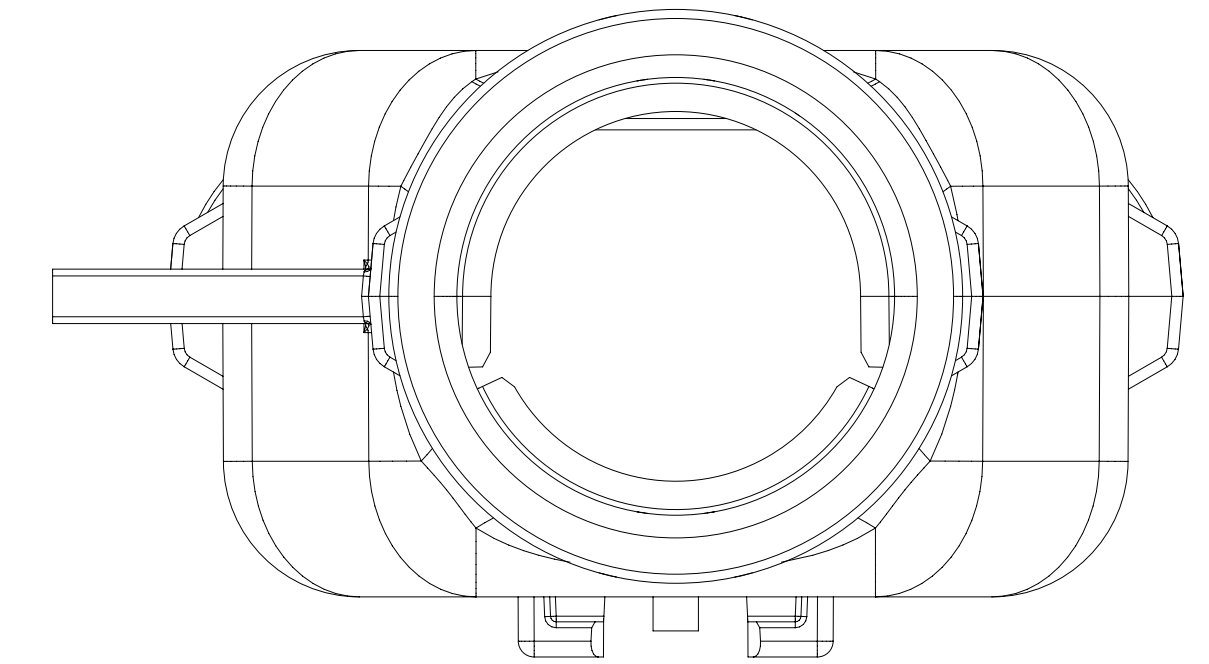
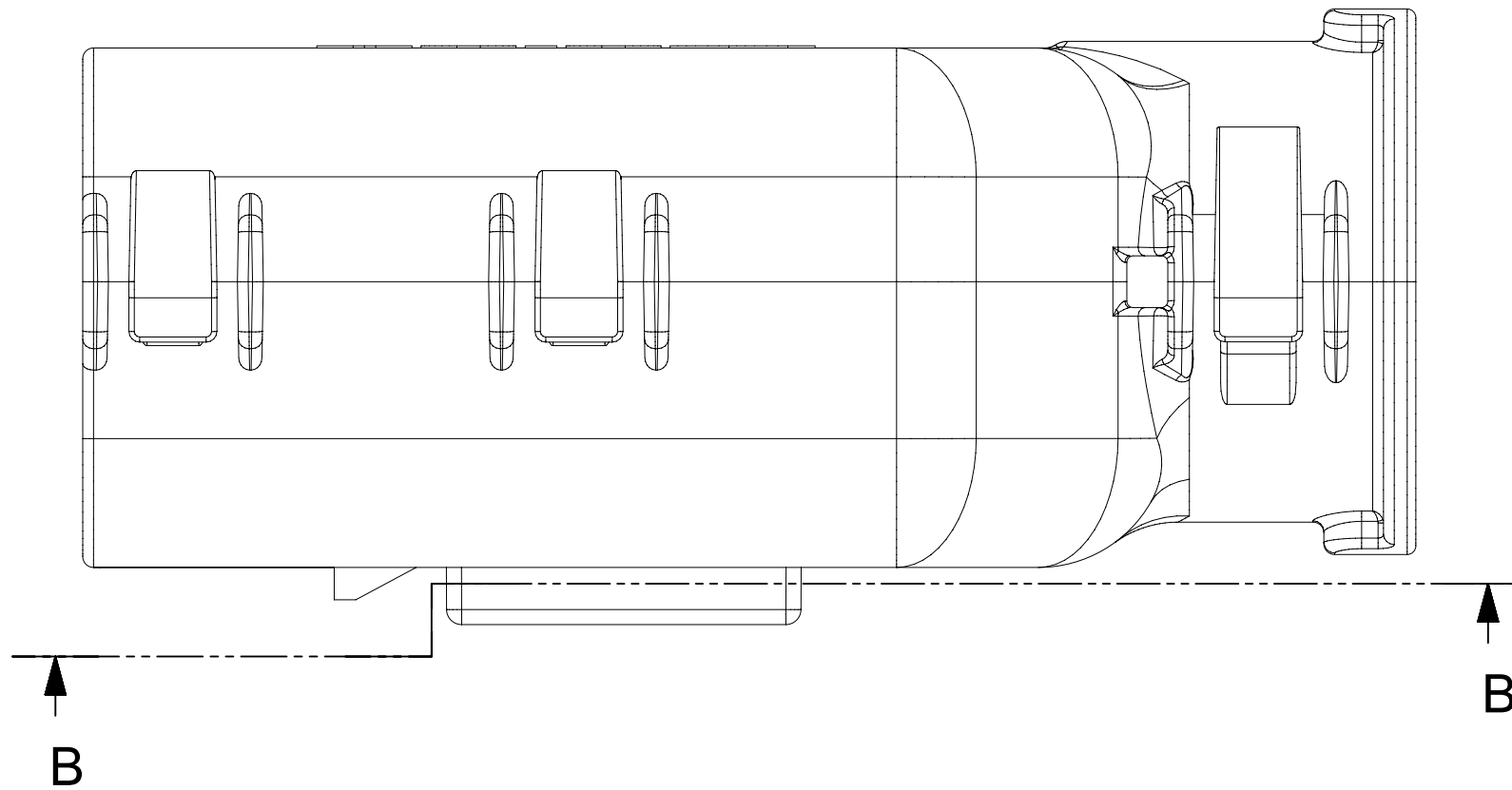
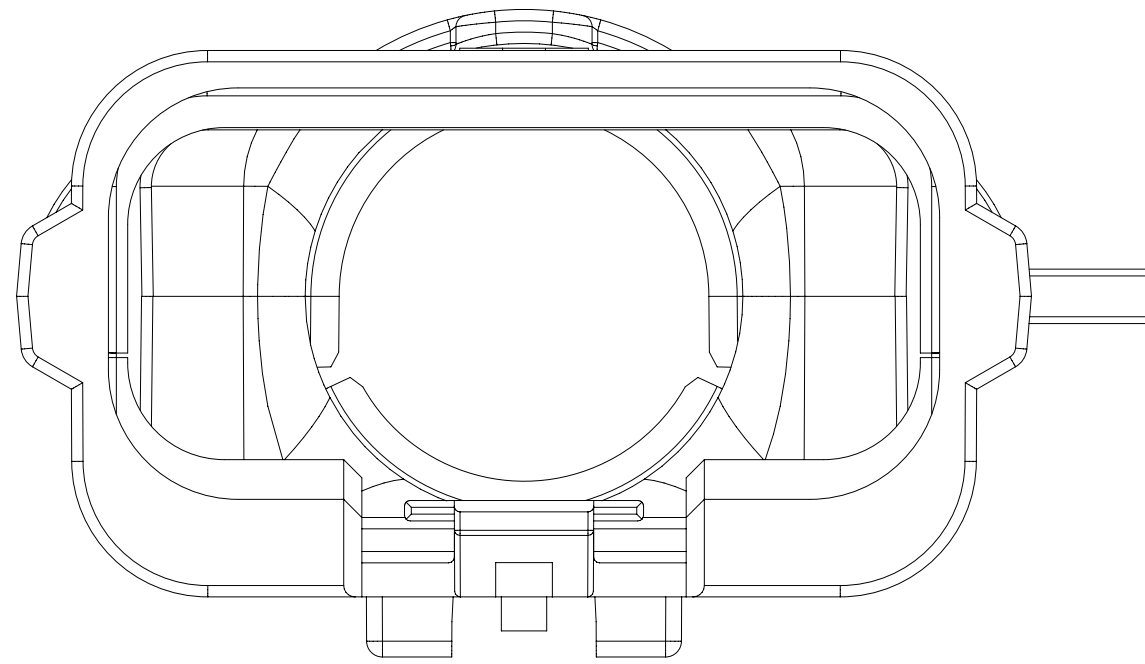
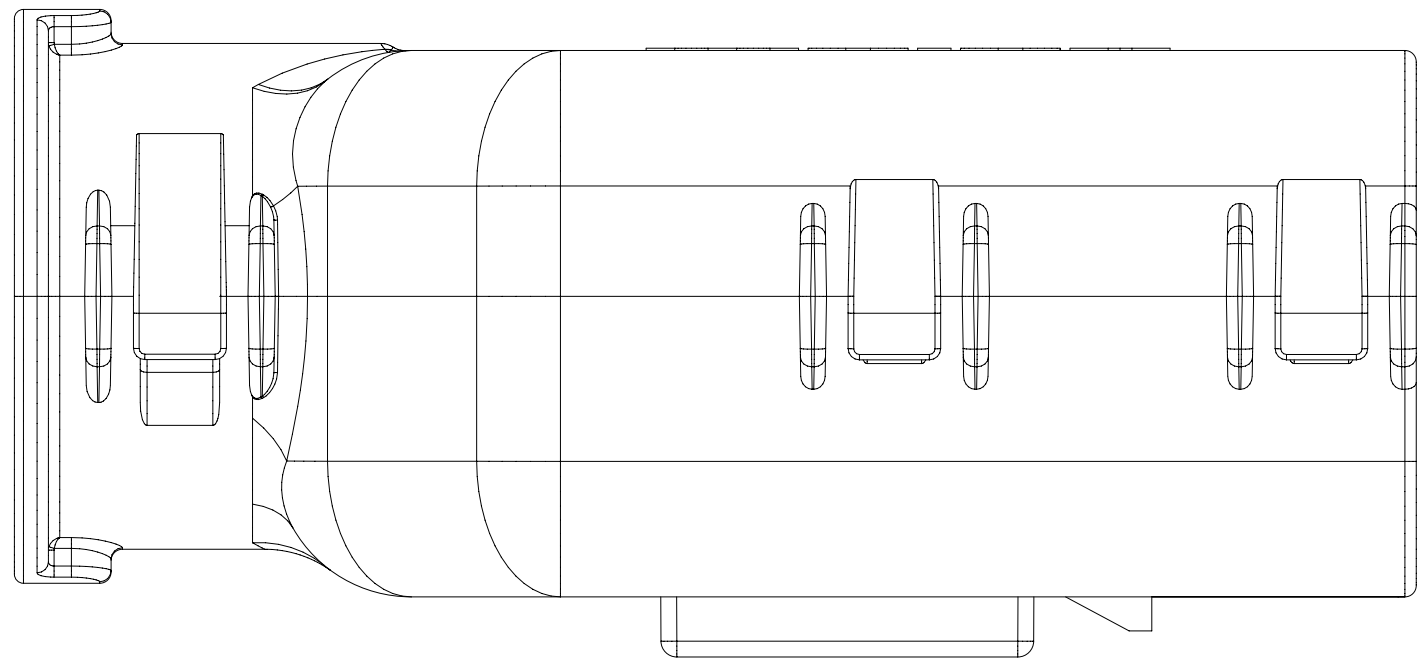
SHEET DESCRIPTION
SCHLEMMER BACKSHELL



Partial A-A
SCALE 7:2

SYMBOLS = 0 = 0 = 0 = 0 = 0 = 0 = 0 = 0 = 0 	THIS DRAWING CONTAINS INFORMATION THAT IS PROPRIETARY TO MOLEX ELECTRONIC TECHNOLOGIES, LLC AND SHOULD NOT BE USED WITHOUT WRITTEN PERMISSION DIMENSION UNITS: mm SCALE: 3.5:1		CURRENT REV DESC: EC NO: 171650 DRWN: PMANJUNATHAC 2018/01/01 CHK'D: MVANSLAMBROU 2018/02/16 APPR: MVANSLAMBROU 2018/02/16			
	GENERAL TOLERANCES (UNLESS SPECIFIED) ANGULAR TOL ± 3.0°		INITIAL REVISION: DRWN: KBORUSZEWSKI 2014/02/19 APPR: VKOSHY 2014/03/05			PRODUCT CUSTOMER DRAWING DOCUMENT NUMBER: SD-160011-0001 DOC TYPE: PSD DOC PART: 001 REVISION: A5
	DRAFT WHERE APPLICABLE MUST REMAIN WITHIN DIMENSIONS		THIRD ANGLE PROJECTION 		MATERIAL NUMBER: 160011 CUSTOMER: GENERAL MARKET SHEET NUMBER: 8 OF 11	
	DIMENSION UNITS: mm SCALE: 3.5:1		DRWN: PMANJUNATHAC 2018/01/01 CHK'D: MVANSLAMBROU 2018/02/16 APPR: MVANSLAMBROU 2018/02/16		SERIES: 160011	
	DIMENSION UNITS: mm SCALE: 3.5:1		DRWN: PMANJUNATHAC 2018/01/01 CHK'D: MVANSLAMBROU 2018/02/16 APPR: MVANSLAMBROU 2018/02/16		MATERIAL NUMBER: 160011 CUSTOMER: GENERAL MARKET SHEET NUMBER: 8 OF 11	

SHEET DESCRIPTION
MOLEX BACKSHELL



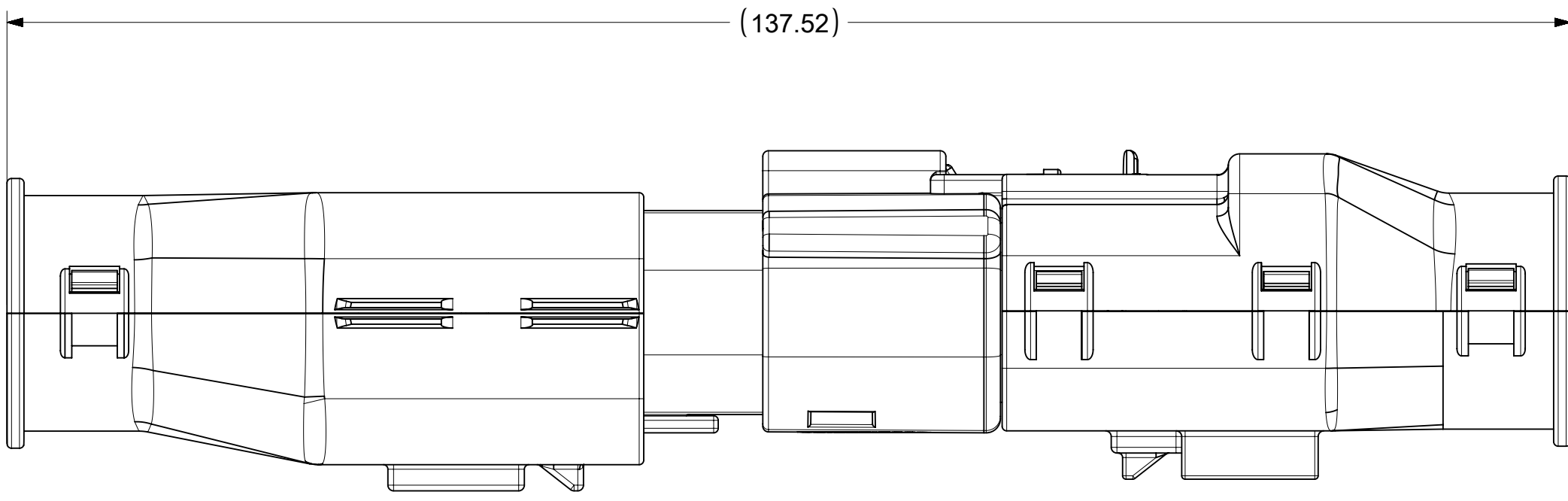
SECTION B-B

SYMBOLS = 0 = 0 = 0 = 0 = 0 = 0 = 0 = 0	THIS DRAWING CONTAINS INFORMATION THAT IS PROPRIETARY TO MOLEX ELECTRONIC TECHNOLOGIES, LLC AND SHOULD NOT BE USED WITHOUT WRITTEN PERMISSION		SCALE 1:1		CURRENT REV DESC: EC NO: 171650 DRWN: PMANJUNATHAC 2018/01/01 CHK'D: MVANSLAMBROU 2018/02/16 APPR: MVANSLAMBROU 2018/02/16			 MX150 GEN 2 BLADE DUAL ROW SEALED ASSEMBLY MAT SEAL		
	DIMENSION UNITS mm		GENERAL TOLERANCES (UNLESS SPECIFIED) ANGULAR TOL ± 3.0°			INITIAL REVISION: DRWN: KBORUSZEWSKI 2014/02/19 APPR: VKOSHY 2014/03/05				
	4 PLACES ± 3 PLACES ± 2 PLACES ± 0.1 1 PLACE ± 0.2 0 PLACES ±		DRAFT WHERE APPLICABLE MUST REMAIN WITHIN DIMENSIONS			THIRD ANGLE PROJECTION	DRAWING A1-SIZE	SERIES 160011	MATERIAL NUMBER SD-160011-0001	CUSTOMER GENERAL MARKET

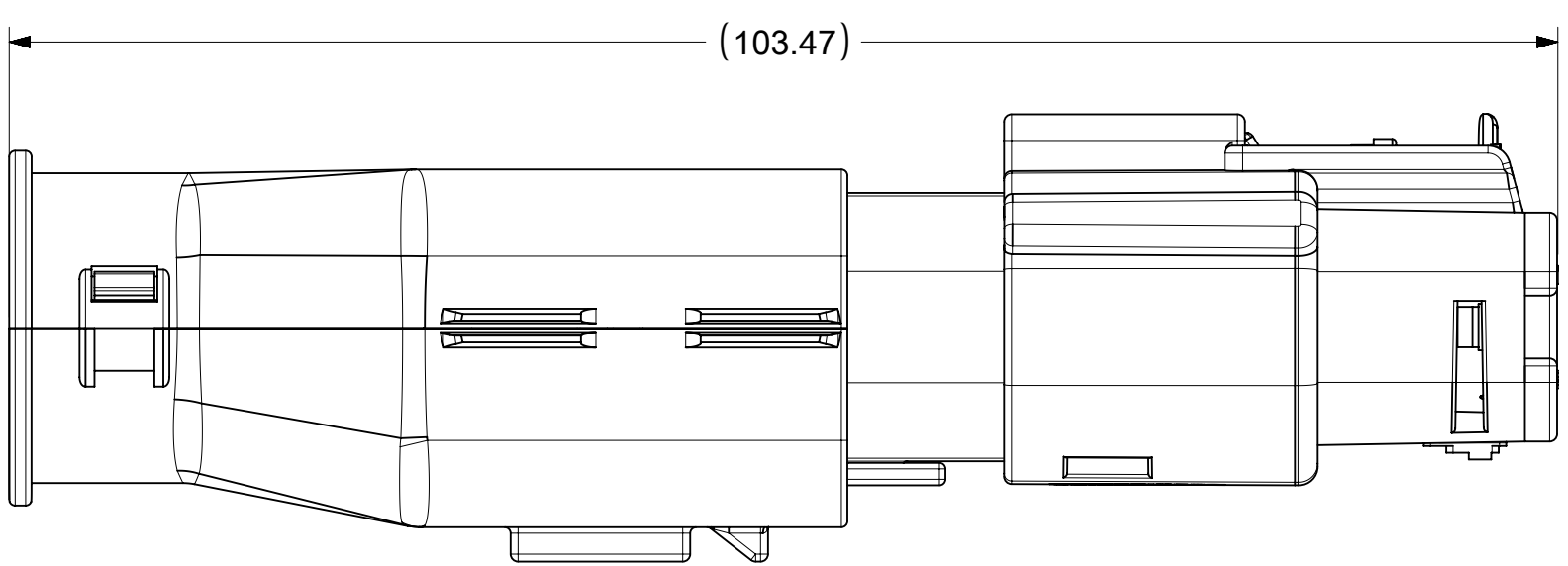
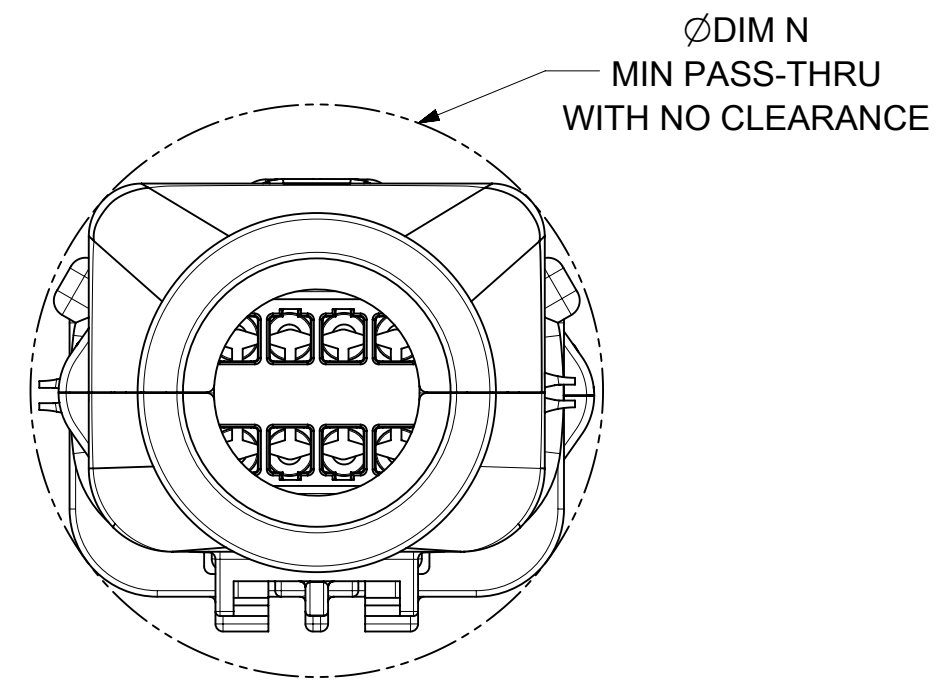
DOCUMENT STATUS	P1	RELEASE DATE	2018/02/16 22:02:24
-----------------	----	--------------	---------------------

SHEET DESCRIPTION
SCHLEMMER BACKSHELL CONFIGURATIONS

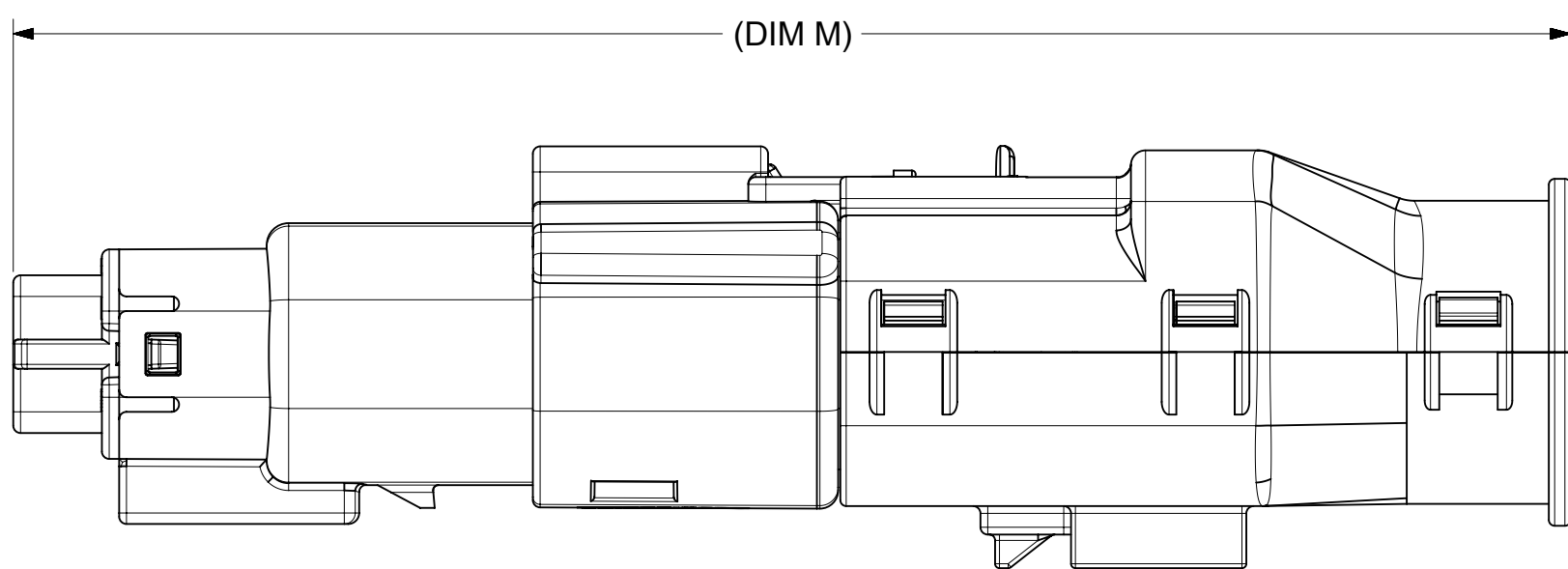
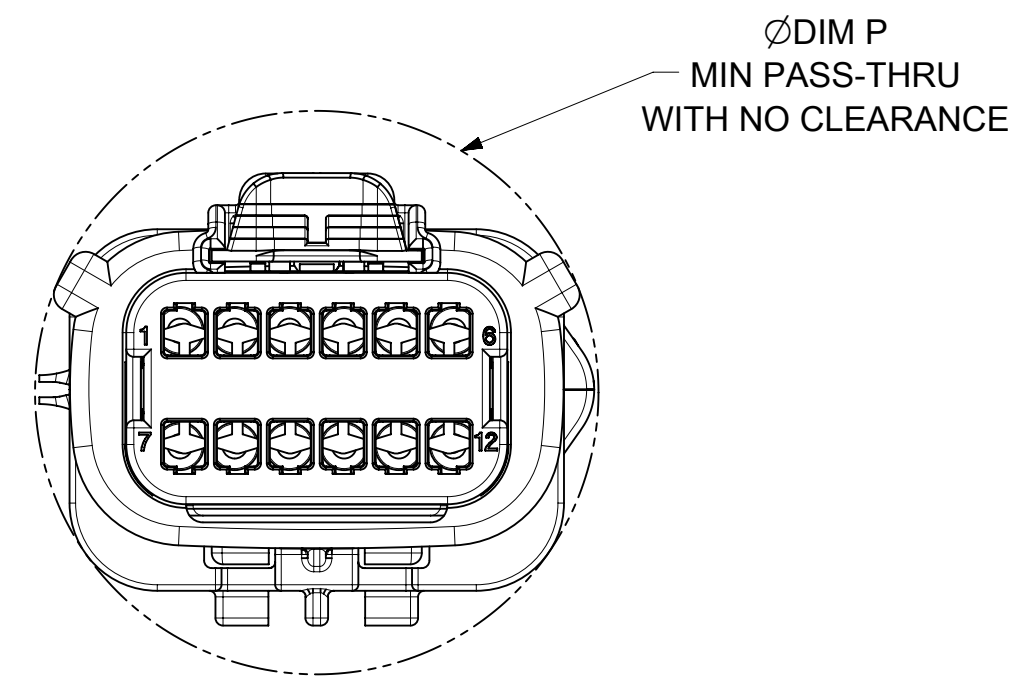
CKT	BLADE CONFIGURATION	RECEPTACLE CONFIGURATION	CHARTED DIMENSION				
			DIMENSIONS				
			M	N	P	R	S
2X6	STANDARD	STANDARD	106.83	37.84	37.27	35.83	36.83



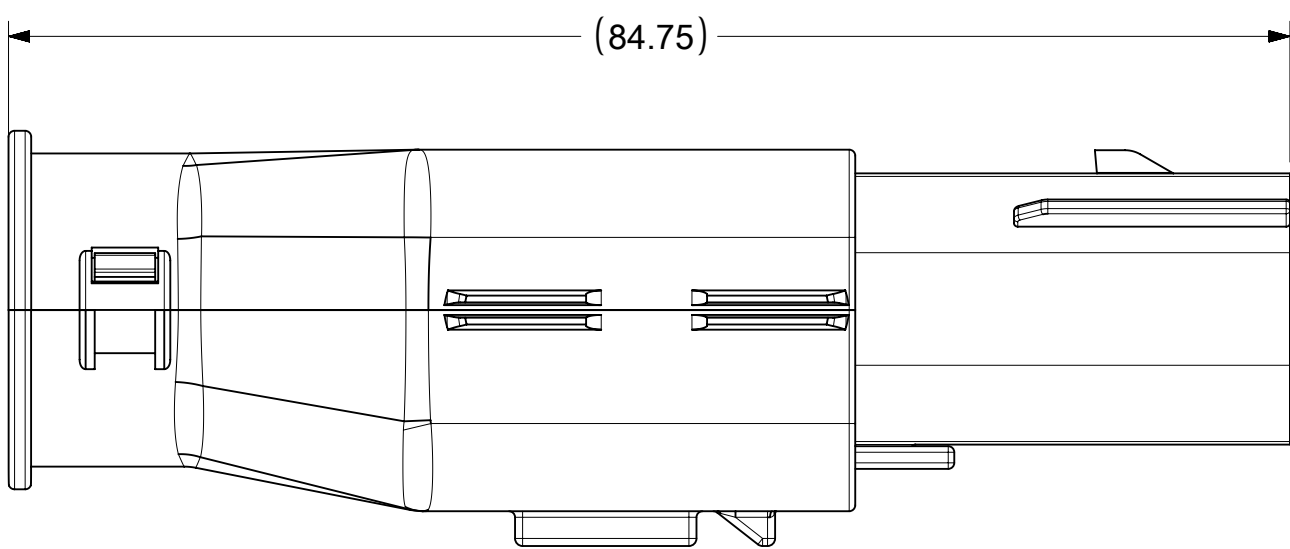
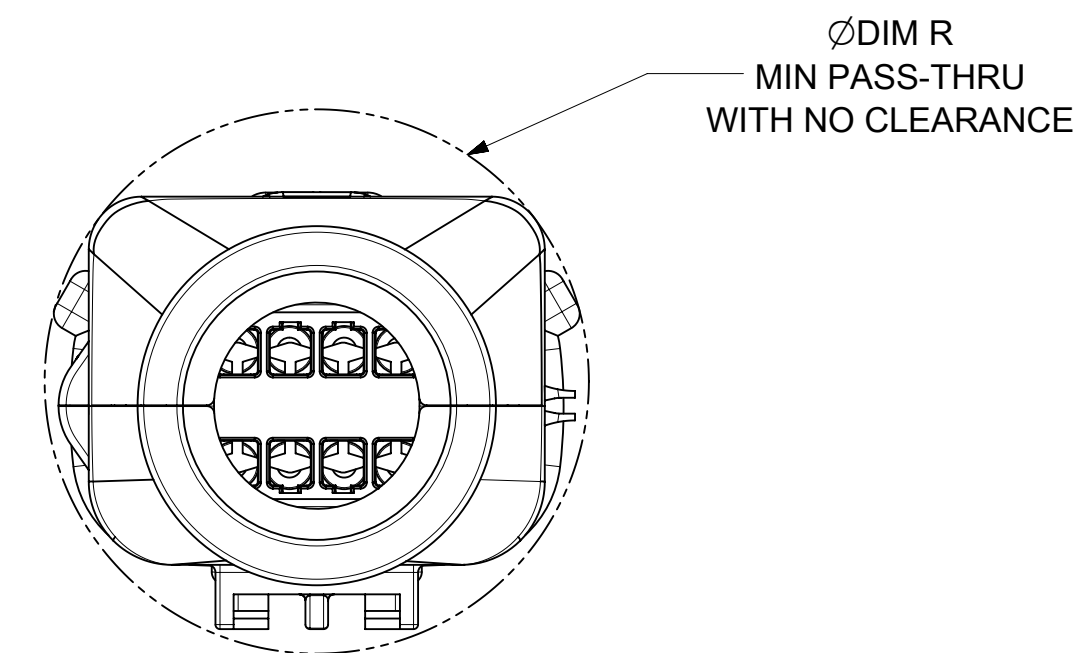
OVERALL MATED SYSTEM WITH BLADE AND RECEPTACLE BACKSHELL



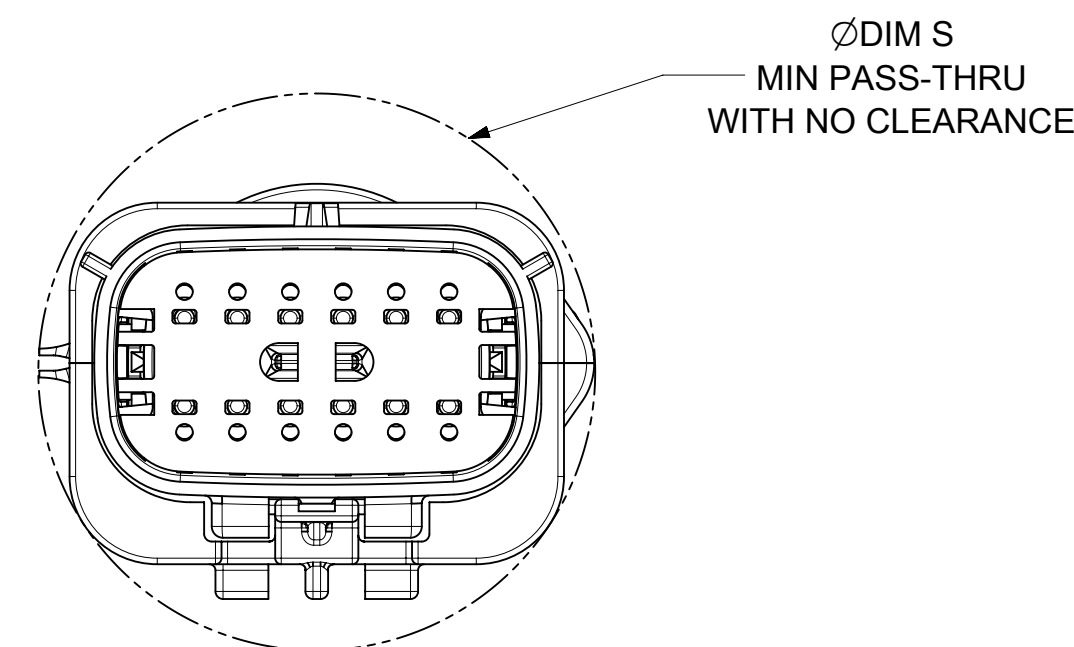
OVERALL MATED SYSTEM WITH BLADE BACKSHELL



OVERALL MATED SYSTEM WITH RECEPTACLE BACKSHELL

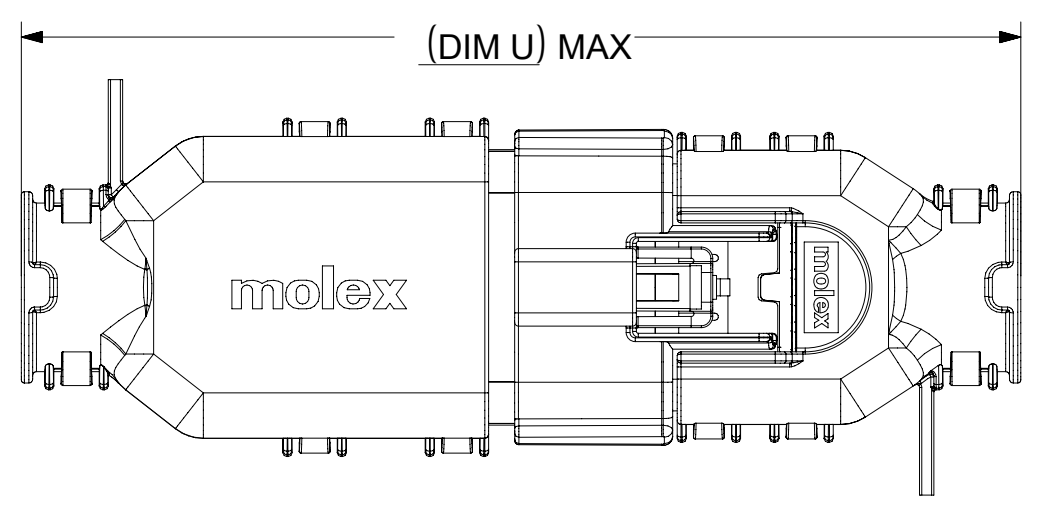


BLADE SEALED ASSEMBLY WITH BLADE BACKSHELL

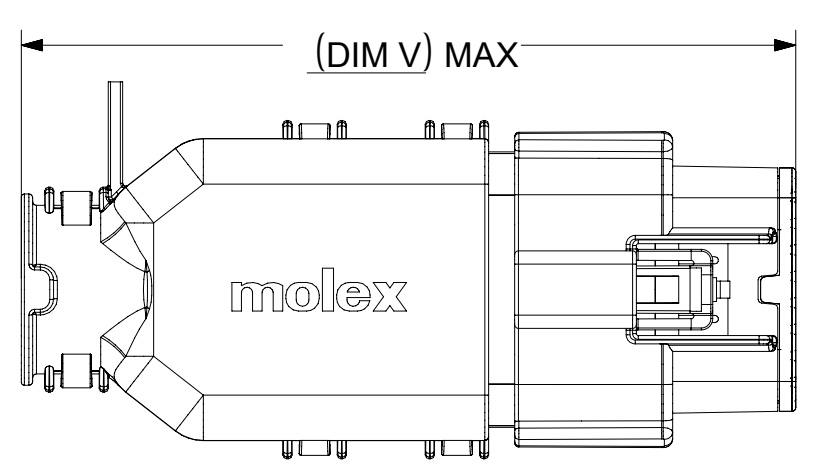
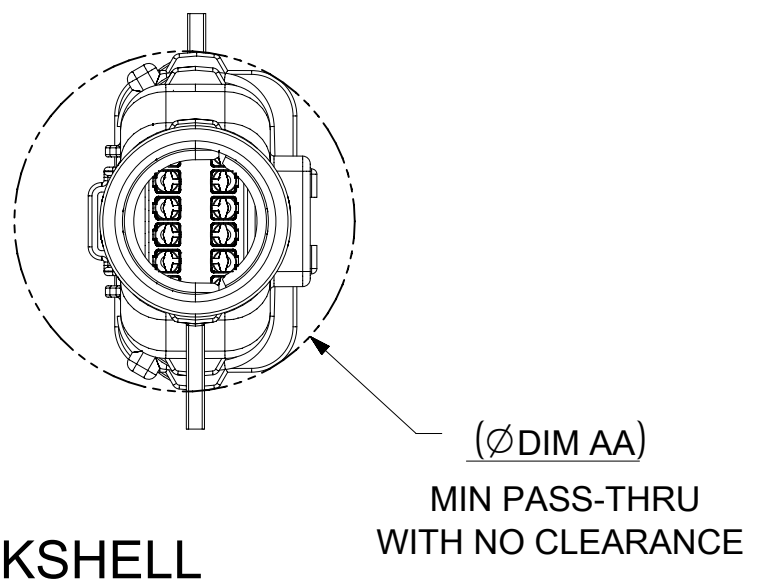


SYMBOLS THIS DRAWING CONTAINS INFORMATION THAT IS PROPRIETARY TO MOLEX ELECTRONIC TECHNOLOGIES, LLC AND SHOULD NOT BE USED WITHOUT WRITTEN PERMISSION DIMENSION UNITS: mm SCALE: 2:1 GENERAL TOLERANCES (UNLESS SPECIFIED): ANGULAR TOL: ± 3.0° 4 PLACES: ± 3 PLACES: ± 2 PLACES: ± 0.1 1 PLACE: ± 0.2 0 PLACES: ± DRAFT WHERE APPLICABLE MUST REMAIN WITHIN DIMENSIONS	CURRENT REV DESC: EC NO: 171650 DRWN: PMANJUNATHAC 2018/01/01 CHK'D: MVANSLAMBROU 2018/02/16 APPR: MVANSLAMBROU 2018/02/16 INITIAL REVISION: DRWN: KBORUSZEWSKI 2014/02/19 APPR: VKOSHY 2014/03/05		<div style="text-align: center;">molex</div> <p>MX150 GEN 2 BLADE DUAL ROW SEALED ASSEMBLY MAT SEAL</p> <p>PRODUCT CUSTOMER DRAWING</p>	
	THIRD ANGLE PROJECTION 	DRAWING SERIES A1-SIZE 160011		
DOCUMENT STATUS: P1 RELEASE DATE: 2018/02/16 22:02:24	MATERIAL NUMBER: CUSTOMER: GENERAL MARKET		SHEET NUMBER: 10 OF 11	

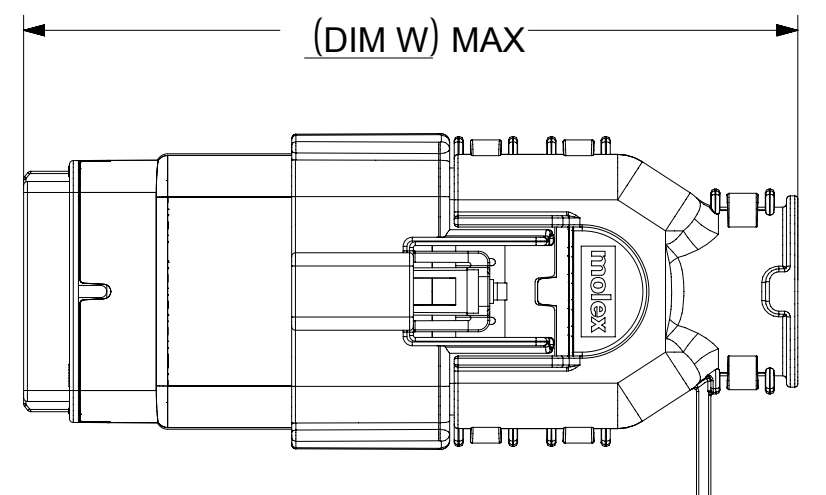
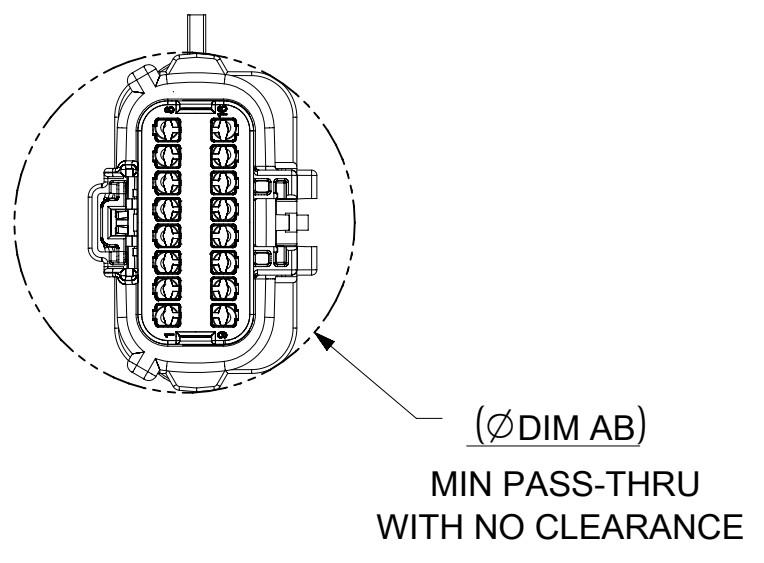
SHEET DESCRIPTION
MOLEX BACKSHELL CONFIGURATIONS



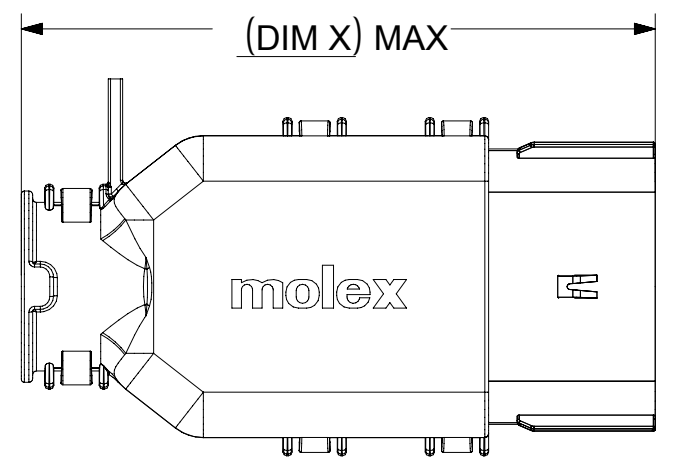
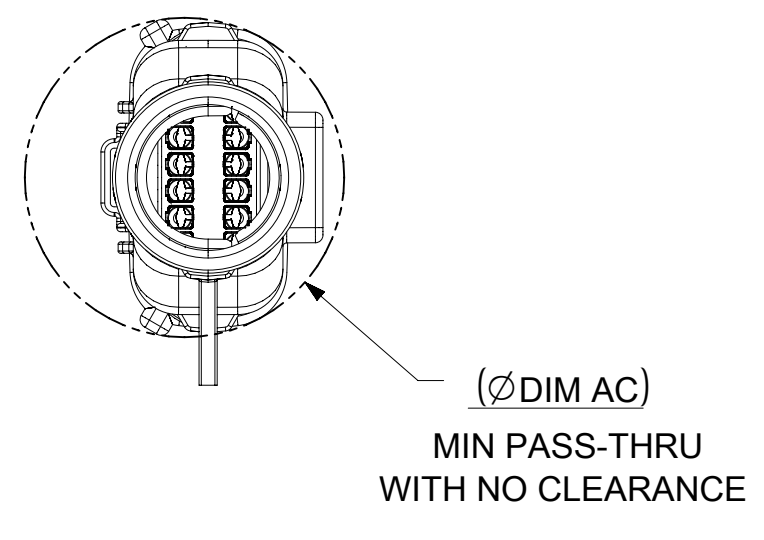
OVERALL MATED SYSTEM WITH BLADE AND RECEPTACLE BACKSHELL



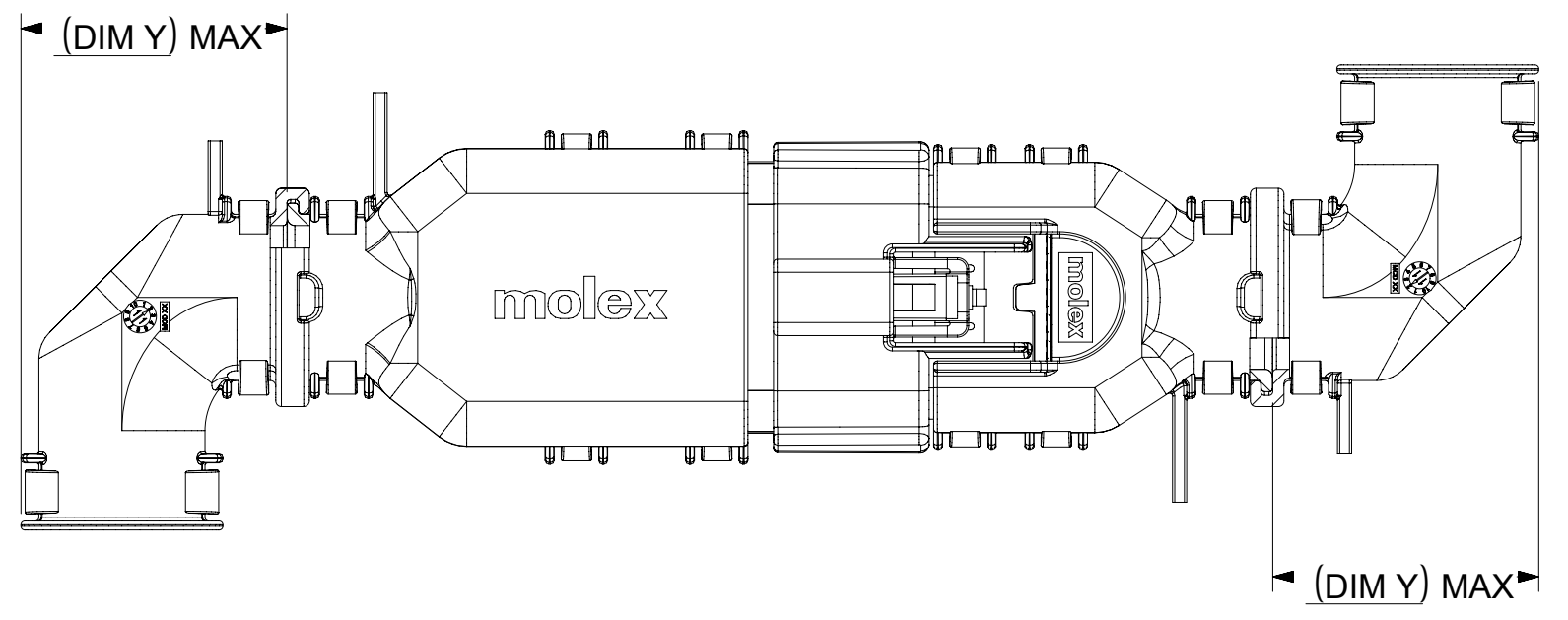
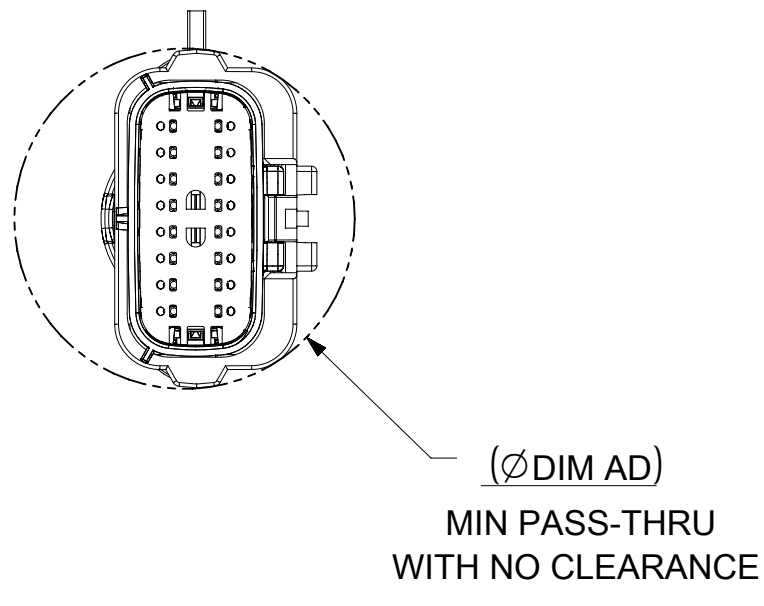
OVERALL MATED SYSTEM WITH BLADE BACKSHELL



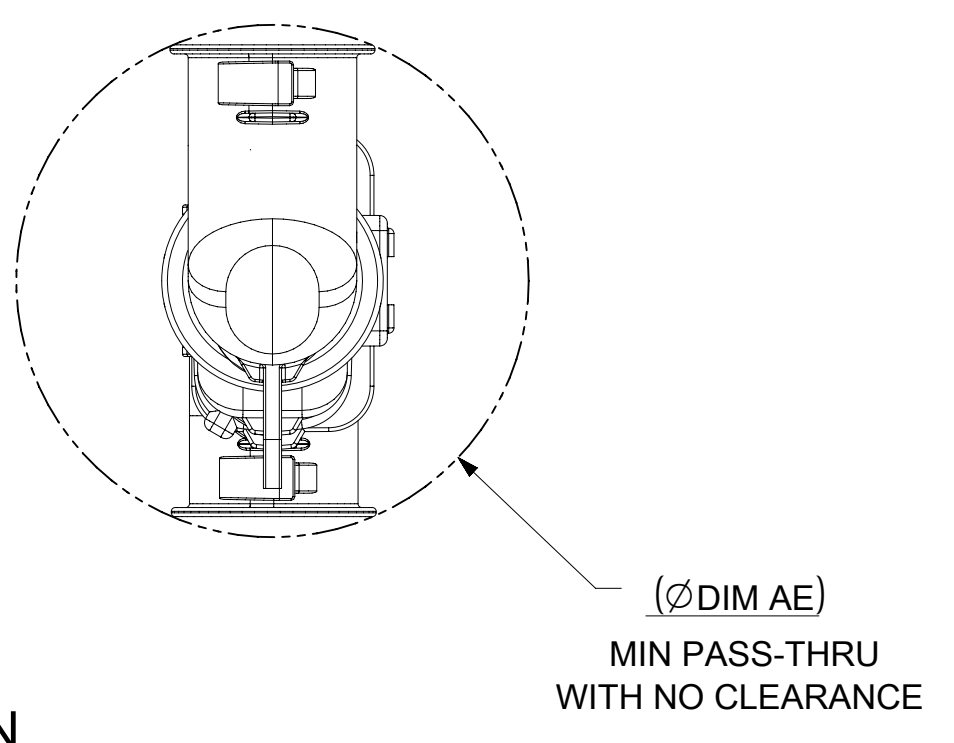
OVERALL MATED SYSTEM WITH RECEPTACLE BACKSHELL



BLADE SEALED ASSEMBLY WITH BLADE BACKSHELL



ADD THE VALUE OF 'Y' TO THE TOTAL DIMENSION WHENEVER ADAPTOR IS USED

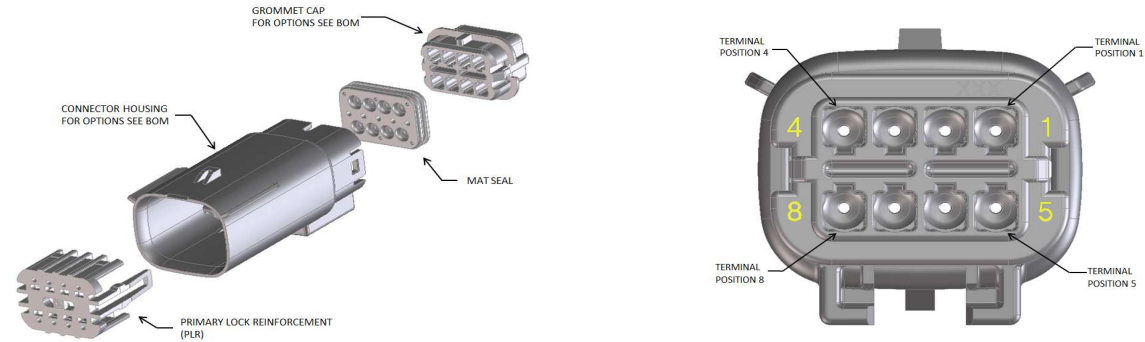


CHARTED DIMENSIONS

CKT	BLADE CONFIGURATION	RECEPTACLE CONFIGURATION	DIMENSIONS									
			U	V	W	X	Y	AA	AB	AC	AD	AE
2X4	STANDARD	STANDARD	115.29	94.34	93.98	75.62	32.10	32.93	32.54	32.85	31.76	56.81
2X8	STANDARD	STANDARD	N/A	N/A	N/A	N/A	N/A	N/A	N/A	N/A	N/A	N/A
2X10	STANDARD	STANDARD	132.54	102.79	102.78	84.07	36.10	45.44	45.44	42.65	45.44	68.18

SYMBOLS □ = 0 ▽ = 0 ▽ = 0 ▽ = 0 ▽ = 0 ▽ = 0 ▽ = 0 ▽ = 0 ▽ = 0 ▽ = 0 ▽ = 0 ▽ = 0 ▽ = 0 ▽ = 0 ▽ = 0	THIS DRAWING CONTAINS INFORMATION THAT IS PROPRIETARY TO MOLEX ELECTRONIC TECHNOLOGIES, LLC AND SHOULD NOT BE USED WITHOUT WRITTEN PERMISSION DIMENSION UNITS: mm SCALE: 1:1		CURRENT REV DESC: EC NO: 171650 DRWN: PMANJUNATHAC 2018/01/01 CHK'D: MVANSLAMBROU 2018/02/16 APPR: MVANSLAMBROU 2018/02/16				 MX150 GEN 2 BLADE DUAL ROW SEALED ASSEMBLY MAT SEAL						
	GENERAL TOLERANCES (UNLESS SPECIFIED) ANGULAR TOL ± 3.0° 4 PLACES ± 3 PLACES ± 2 PLACES ± 0.1 1 PLACE ± 0.2 0 PLACES ±		INITIAL REVISION: DRWN: KBORUSZEWSKI 2014/02/19 APPR: VKOSHY 2014/03/05								PRODUCT CUSTOMER DRAWING DOCUMENT NUMBER: SD-160011-0001 DOC TYPE: PSD DOC PART: 001 REVISION: A5		
DRAFT WHERE APPLICABLE MUST REMAIN WITHIN DIMENSIONS		THIRD ANGLE PROJECTION		DRAWING: A1-SIZE		SERIES: 160011		MATERIAL NUMBER:		CUSTOMER: GENERAL MARKET		SHEET NUMBER: 11 OF 11	

MX150 GEN 2 BLADE 2X4 SEALED ASSEMBLY MAT SEAL
BOM AND PIN OUT SHEET

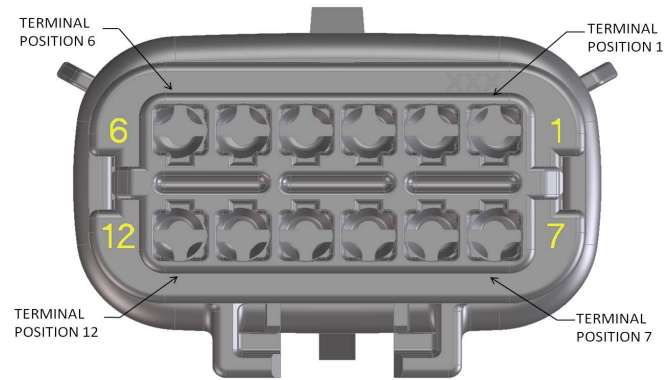
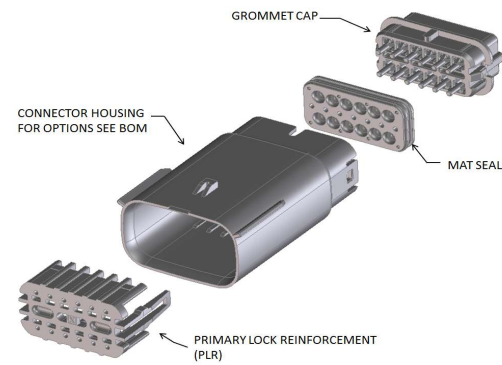


ABBREVIATION	DESCRIPTION	COLOR	MATERIAL
A-BLK-CLIP	HOUSING KEYING OPTION A WITH CLIPSLOT	BLACK	SPS/NYLON GF20
B-LG-CLIP	HOUSING KEYING OPTION B WITH CLIPSLOT	LIGHT GRAY	SPS/NYLON GF20
C-DG-CLIP	HOUSING KEYING OPTION C WITH CLIPSLOT	DARK GRAY	SPS/NYLON GF20
D-SG-CLIP	HOUSING KEYING OPTION D WITH CLIPSLOT	STONE GRAY	SPS/NYLON GF20
GCP	GROMMET CAP (PLUGGED)	BLACK	SPS/NYLON GF20
GCO	GROMMET CAP (OPEN)	BLACK	SPS/NYLON GF20
PLR-1	PLR-1	NATURAL	SPS/NYLON GF20
PLR-3	PLR-3	NATURAL	SPS/NYLON GF20
M-R	MAT SEAL	RUST RED	INHERENTLY LUBRICATED SILICONE
M-B	MAT SEAL	ROYAL BLUE	INHERENTLY LUBRICATED SILICONE

FOR ADDITIONAL INFORMATION SEE SD-160011-0001

ASSEMBLY DESCRIPTION	ASSEMBLY PART NUMBER	COMPONENT				BLOCKED TERMINALS								STATUS	COMMENTS	OPTIONAL ATTACHMENTS SOLD SEPERATELY					
		THE PRESENCE OF AN ABBREVIATION INDICATES THE PRESENCE OF THAT COMPONENT.				CAVITY WITH A NUMBER INDICATES BLOCKED TERMINAL POSITION CAVITY WITHOUT A NUMBER INDICATES OPEN TERMINAL POSITION										BACKSHELL WITH RIBS	BACKSHELL WITHOUT RIBS	90° ADAPTOR WITH RIBS	90° ADAPTOR WITHOUT RIBS		
		HOUSING KEY/COLOR	GROMMET CAP	PLR	MAT SEAL	1	2	3	4	5	6	7	8								
KEY A, BLACK, WITH CLIPSLOT	160011-4001	A-BLK-CLIP	GCO	PLR-1	M-R											PLANNED OBSOLECENCE		34950-0811	34950-0821	34951-0831	34951-0841
KEY B, LIGHT GRAY, WITH CLIPSLOT	160011-4002	B-LG-CLIP	GCO	PLR-1	M-R											PLANNED OBSOLECENCE		34950-0811	34950-0821	34951-0831	34951-0841
KEY C, DARK GRAY, WITH CLIPSLOT	160011-4003	C-DG-CLIP	GCO	PLR-1	M-R											PLANNED OBSOLECENCE		34950-0811	34950-0821	34951-0831	34951-0841
KEY D, STONE GRAY, WITH CLIPSLOT	160011-4004	D-SG-CLIP	GCO	PLR-1	M-R											PLANNED OBSOLECENCE		34950-0811	34950-0821	34951-0831	34951-0841
KEY A, BLACK, WITH CLIPSLOT	160011-4007	A-BLK-CLIP	GCP	PLR-1	M-R	1	2	3	4	5	6	7	8			PLANNED OBSOLECENCE		34950-0811	34950-0821	34951-0831	34951-0841
KEY B, LIGHT GRAY, WITH CLIPSLOT	160011-4008	B-LG-CLIP	GCP	PLR-1	M-R	1	2	3	4	5	6	7	8			PLANNED OBSOLECENCE		34950-0811	34950-0821	34951-0831	34951-0841
KEY C, DARK GRAY, WITH CLIPSLOT	160011-4009	C-DG-CLIP	GCP	PLR-1	M-R	1	2	3	4	5	6	7	8			PLANNED OBSOLECENCE		34950-0811	34950-0821	34951-0831	34951-0841
KEY D, STONE GRAY, WITH CLIPSLOT	160011-4010	D-SG-CLIP	GCP	PLR-1	M-R	1	2	3	4	5	6	7	8			PLANNED OBSOLECENCE		34950-0811	34950-0821	34951-0831	34951-0841
KEY A, BLACK, WITH CLIPSLOT	160011-4013	A-BLK-CLIP	GCP	PLR-1	M-R				4	5						PLANNED OBSOLECENCE		34950-0811	34950-0821	34951-0831	34951-0841
KEY A, BLACK, WITH CLIPSLOT	160011-4014	A-BLK-CLIP	GCP	PLR-1	M-R					5	6			8		PLANNED OBSOLECENCE		34950-0811	34950-0821	34951-0831	34951-0841
KEY A, BLACK, WITH CLIPSLOT	160011-4015	A-BLK-CLIP	GCP	PLR-1	M-R				4	5				8		PLANNED OBSOLECENCE		34950-0811	34950-0821	34951-0831	34951-0841
KEY A, BLACK, WITH CLIPSLOT	160121-4801	A-BLK-CLIP	GCO	PLR-3	M-B											OK TO TOOL		34950-0811	34950-0821	34951-0831	34951-0841
KEY B, LIGHT GRAY, WITH CLIPSLOT	160121-4802	B-LG-CLIP	GCO	PLR-3	M-B											OK TO TOOL		34950-0811	34950-0821	34951-0831	34951-0841
KEY A, BLACK, WITH CLIPSLOT	160121-4811	A-BLK-CLIP	GCP	PLR-3	M-B				4	5						OK TO TOOL		34950-0811	34950-0821	34951-0831	34951-0841
KEY A, BLACK, WITH CLIPSLOT	160121-4832	A-BLK-CLIP	GCP	PLR-3	M-B					5	6			8		OK TO TOOL		34950-0811	34950-0821	34951-0831	34951-0841
KEY A, BLACK, WITH CLIPSLOT	160121-4834	A-BLK-CLIP	GCP	PLR-3	M-B	1	2	3	4	5	6	7	8			OK TO TOOL		34950-0811	34950-0821	34951-0831	34951-0841
KEY B, LIGHT GRAY, WITH CLIPSLOT	160121-4847	B-LG-CLIP	GCP	PLR-3	M-B	1	2	3	4	5	6	7	8			OK TO TOOL		34950-0811	34950-0821	34951-0831	34951-0841
KEY C, DARK GRAY, WITH CLIPSLOT	160121-4852	C-DG-CLIP	GCO	PLR-3	M-B											OK TO TOOL		34950-0811	34950-0821	34951-0831	34951-0841
KEY D, STONE GRAY, WITH CLIPSLOT	160121-4853	D-SG-CLIP	GCO	PLR-3	M-B											OK TO TOOL		34950-0811	34950-0821	34951-0831	34951-0841
KEY A, BLACK, WITH CLIPSLOT	160121-4854	A-BLK-CLIP	GCP	PLR-3	M-B				4	5				8		OK TO TOOL		34950-0811	34950-0821	34951-0831	34951-0841

MX150 GEN 2 BLADE 2X6 SEALED ASSEMBLY MAT SEAL
BOM AND PIN OUT SHEET



ABBREVIATION	DESCRIPTION	COLOR	MATERIAL
A-BLK-CLIP	HOUSING KEYING OPTION A WITH CLIPSLOT	BLACK	SPS/NYLON GF20
B-LG-CLIP	HOUSING KEYING OPTION B WITH CLIPSLOT	LIGHT GRAY	SPS/NYLON GF20
C-DG-CLIP	HOUSING KEYING OPTION C WITH CLIPSLOT	DARK GRAY	SPS/NYLON GF20
D-SG-CLIP	HOUSING KEYING OPTION D WITH CLIPSLOT	STONE GRAY	SPS/NYLON GF20
GCP	GROMMET CAP (PLUGGED)	BLACK	SPS/NYLON GF20
PLR-1	PLR-1	NATURAL	SPS/NYLON GF20
PLR-3	PLR-3	NATURAL	SPS/NYLON GF20
M-R	MAT SEAL	RUST RED	INHERENTLY LUBRICATED SILICONE
M-B	MAT SEAL	ROYAL BLUE	INHERENTLY LUBRICATED SILICONE

FOR ADDITIONAL INFORMATION SEE SD-160011-0001

ASSEMBLY DESCRIPTION	ASSEMBLY PART NUMBER	COMPONENT				BLOCKED TERMINALS												STATUS	COMMENTS	OPTIONAL ATTACHMENTS SOLD SEPERATELY		
		THE PRESENCE OF AN ABBREVIATION INDICATES THE PRESENCE OF THAT COMPONENT.				CAVITY WITH A NUMBER INDICATES BLOCKED TERMINAL POSITION CAVITY WITHOUT A NUMBER INDICATES OPEN TERMINAL POSITION														BACKSHELL WITH RIBS	BACKSHELL WITHOUT RIBS	
		HOUSING KEY/COLOR	GROMMET CAP	PLR	MAT SEAL	1	2	3	4	5	6	7	8	9	10	11	12					
KEY A, BLACK, WITH CLIPSLOT	160011-6001	A-BLK-CLIP	GCP	PLR-1	M-R														PLANNED OBSOLESCENCE		34950-1210	34950-1220
KEY B, LIGHT GRAY, WITH CLIPSLOT	160011-6002	B-LG-CLIP	GCP	PLR-1	M-R														PLANNED OBSOLESCENCE		34950-1210	34950-1220
KEY C, DARK GRAY, WITH CLIPSLOT	160011-6003	C-DG-CLIP	GCP	PLR-1	M-R														PLANNED OBSOLESCENCE		34950-1210	34950-1220
KEY D, STONE GRAY, WITH CLIPSLOT	160011-6004	D-SG-CLIP	GCP	PLR-1	M-R														PLANNED OBSOLESCENCE		34950-1210	34950-1220
KEY A, BLACK, WITH CLIPSLOT	160011-6007	A-BLK-CLIP	GCP	PLR-1	M-R	1													PLANNED OBSOLESCENCE		34950-1210	34950-1220
KEY B, LIGHT GRAY, WITH CLIPSLOT	160011-6008	B-LG-CLIP	GCP	PLR-1	M-R	1	2	3	4	5	6	7	8	9	10	11	12		PLANNED OBSOLESCENCE		34950-1210	34950-1220
KEY C, DARK GRAY, WITH CLIPSLOT	160011-6009	C-DG-CLIP	GCP	PLR-1	M-R	1	2	3	4	5	6	7	8	9	10	11	12		PLANNED OBSOLESCENCE		34950-1210	34950-1220
KEY D, STONE GRAY, WITH CLIPSLOT	160011-6010	D-SG-CLIP	GCP	PLR-1	M-R	1	2	3	4	5	6	7	8	9	10	11	12		PLANNED OBSOLESCENCE		34950-1210	34950-1220
KEY A, BLACK, WITH CLIPSLOT	160121-6201	A-BLK-CLIP	GCP	PLR-3	M-B														OK TO TOOL		34950-1210	34950-1220
KEY B, LIGHT GRAY, WITH CLIPSLOT	160121-6202	B-LG-CLIP	GCP	PLR-3	M-B														OK TO TOOL		34950-1210	34950-1220
KEY A, BLACK, WITH CLIPSLOT	160121-6227	A-BLK-CLIP	GCP	PLR-3	M-B	1	2	3	4	5	6	7	8	9	10	11	12		OK TO TOOL		34950-1210	34950-1220
KEY B, LIGHT GRAY, WITH CLIPSLOT	160121-6228	B-LG-CLIP	GCP	PLR-3	M-B	1	2	3	4	5	6	7	8	9	10	11	12		OK TO TOOL		34950-1210	34950-1220
KEY C, DARK GRAY, WITH CLIPSLOT	160121-6261	C-DG-CLIP	GCP	PLR-3	M-B														OK TO TOOL		34950-1210	34950-1220
KEY D, STONE GRAY, WITH CLIPSLOT	160121-6262	D-SG-CLIP	GCP	PLR-3	M-B														OK TO TOOL		34950-1210	34950-1220
KEY C, DARK GRAY, WITH CLIPSLOT	160121-6263	C-DG-CLIP	GCP	PLR-3	M-B	1	2	3	4	5	6	7	8	9	10	11	12		OK TO TOOL		34950-1210	34950-1220
KEY D, STONE GRAY, WITH CLIPSLOT	160121-6264	D-SG-CLIP	GCP	PLR-3	M-B	1	2	3	4	5	6	7	8	9	10	11	12		OK TO TOOL		34950-1210	34950-1220

TABLE OF CONTENTS	
SHEET NO.	SHEET DESCRIPTION
1	NOTES AND BOM
2	CONFIGURATIONS
3-4	KEY CONFIGURATIONS
5	RECEPTACLE CONNECTOR ASSEMBLY
6	BACKSHELL NOTES
7	BACKSHELL
8	BACKSHELL CONFIGURATIONS
9	2X10 CONNECTOR INTERFACE DEFINITION

NOTES: VALID UNLESS OTHERWISE SPECIFIED

1. GENERAL:

- a. APPLICATION SPECIFICATION SEE: AS-33472-100
 - CONTAINS: PRODUCT INTRODUCTION, PRODUCT SUMMARY, CONNECTOR ASSEMBLY, PACKAGING INFORMATION, CONNECTOR MATING, SERVICE INSTRUCTIONS, ELECTRICAL CONTINUITY CHECKING, CRIMPING, AND TROUBLESHOOTING.
 - DESIGNED TO MATE WITH DEVICE OR CONNECTOR AS SPECIFIED IN THE MATING INTERFACE/CONNECTOR DRAWINGS CHART.
 - *DENOTES DRAWINGS THAT CAN BE ACCESSED AT <http://ewcap.uscarteams.org/>.
 - ASSEMBLY SHIPPED WITH PLR IN PRE-LOCK POSITION (SEE PLR PRE-LOCK VIEW SHEET 5).
- b. PRODUCT SPECIFICATION SEE:
 - STANDARD CONFIGURATION (STD): PS-33472-000
 - TRANSMISSION CONFIGURATION (TRNS):
 - CONTAINS SILICONE: TS-160038-0001
 - SILICONE FREE: TBD
 - UL V0 CONFIGURATION (UL V0): TBD
 - CONTAINS: PRODUCT INTRODUCTION, PRODUCT SUMMARY, RATINGS (CURRENT, TEMPERATURE, SEALING, AND FLAMMABILITY), TERMINALS, WIRE DIAMETER RANGE, PRODUCT VALIDATION, AND PRODUCT DEVIATIONS.
- c. PACKAGING SPECIFICATION PER MOLEX DRAWING: SEE PACKAGING CHART
- d. PARTS MUST BE IN COMPLIANCE TO MOLEX CHEMICAL SUBSTANCES FOR PRODUCTS AND PACKAGING SPECIFICATION: QEHS-699000-301
- e. DATA MUST BE SUBMITTED UNDER THE MOLEX PART NUMBER TO IMDS (COMPANY ID#13255)

2. DESIGN - MATERIALS:

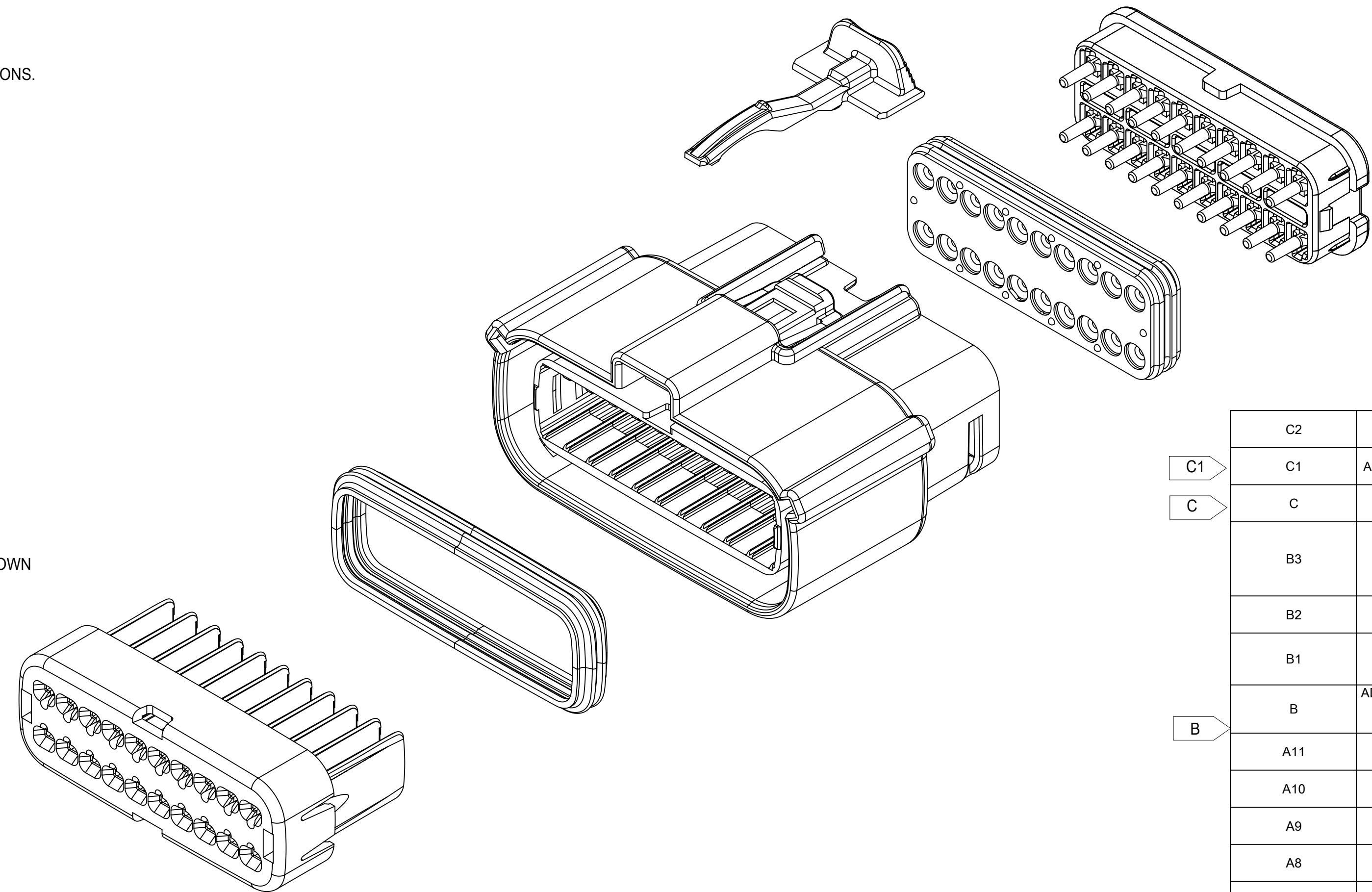
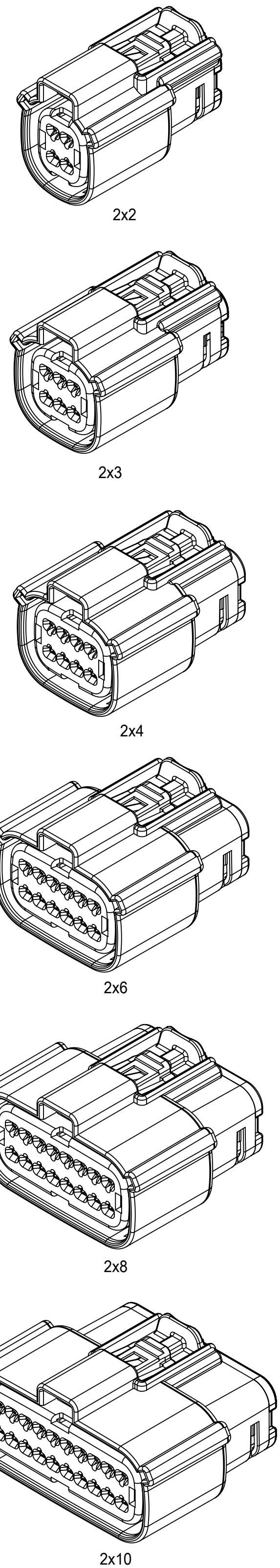
- a. FOR BILL OF MATERIALS SEE:
 - STANDARD CONFIGURATION SD-33472-0002
 - TRANSMISSION CONGRUATION
 - CONTAINS SILICONE: SD-160038-0002
 - SILICONE FREE: SD-160092-0002
 - UL V0 CONFIGURATION SD-160074-0002
- b. TRANSMISSION CONNECTOR COMPONENTS MUST MEET THE MATERIAL REQUIREMENTS SPECIFIED IN TS-160038-0001 & TBD

3. DESIGN - GEOMETRY:

- a. THE 3-D CAD DATA IS BASIC (WITHOUT TOLERANCE) AND MASTER FOR THIS PART WITH THE EXCEPTION OF UNDERLINED DIMENSIONS. DIMENSIONAL INFORMATION NOT SHOWN ON THIS DRAWING IS DEFINED BY THE DATA FILE AT ITS LATEST REVISION.
- b. GEOMETRIC DIMENSIONS AND TOLERANCES PER ASME Y14.5M-2009
- c. EDGES AND UNDIMENSIONED DETAILS PER ISO13715
- d. CORNERS SHOWN AS SHARP TO BE R 0.2 MAX.
- e. LETTERING SHALL BE 0.15 MAX RAISED IN 0.25 MAX RECESS PAD. THIS INCLUDES RECYCLING CODE, CAVITY ID, VENDOR IDENTIFICATION, AND CUSTOMER MATERIAL NUMBER.
- f. VISUAL DEFECTS SHALL MEET COSMETIC STANDARD PS-45499-002 (Class B).
- g. LASER MARKING:
 1. PART NUMBER
 2. DAY OF THE YEAR
 3. SHIFT
 4. YEAR
- FOR ADDITIONAL INFORMATION SEE SECTION 5 UNDER PROCEDURES IN ES-34735-008.
- h. 2X2 CLIP-SLOT DESIGN IS BASED ON USCAR/EWCAP 7mm CLIP SLOT EWCAP - 005 - 7
- 2X3 THRU 2X10 CLIP-SLOT DESIGN IS BASED ON USCAR/EWCAP 11mm CLIP SLOT EWCAP - 005 - 11

DESCRIPTION	DRAWING NO.
2X2	PK-31300-635
2X3	PK-31300-903
2X4	PK-31300-903
2X6	PK-31300-903
2X8	PK-31300-903
2X10	PK-31300-903

MATING INTERFACE/CONNECTOR DRAWINGS		
DESCRIPTION	INTERFACE DEFINITION	MOLEX INLINE
STANDARD 2X2	*150-S-004-2-Z02	SD-33482-0001
UL V0 2X2	*150-S-004-2-Z02	SD-33482-0001
STANDARD 2X3	*150-S-006-2-Z02	SD-33482-0001
TRANSMISSION 2X3	*150-S-006-2-Z02	N/A
STANDARD 2X4	*150-S-008-2-Z02	SD-33482-0001
UL V0 2X4	*150-S-008-2-Z02	SD-33482-0001
STANDARD 2X6	*150-S-012-2-Z01	SD-33482-0001
UL V0 2X6	*150-S-012-2-Z01	SD-33482-0001
STANDARD 2X8	*150-S-016-2-Z01	SD-33482-0001
STANDARD 2X10	SD-33472-0001	SD-33482-0001
UL V0 2X10	SD-33472-0001	SD-33482-0001



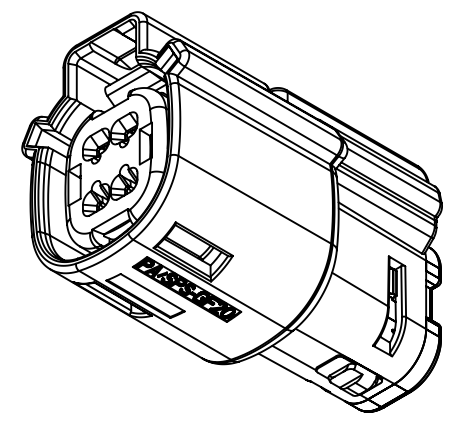
C2	ADDED MOLEX BACKSHELL DETAILS
C1	ADDED 2X6-TRNS.-WITH/WITHOUT CLIPSLOT *
C	ADDED 2X10-STD.-WITH CLIPSLOT *
B3	ADD ROW FOR 2X6 V0 ON SHEET 5DIM3# UPDATE TO 25.0 MAX FOR V0DIM11# UPDATE TO 33.85 MAX FOR V0
B2	ADD 2X6 UL V0 CONFIGURATIONS
B1	UPDATE 2X6 W/O CLIPSLOT DIM G ON TABLE OF SHEET 5
B	ADDED 2X2 - STD- WITH CLIPSLOT, 2X8 - STD- WITH CLIPSLOT AND NOTE h
A11	MINOR GEOMETRY CHANGE FOR UL V0
A10	UPDATED 2X4 DRAWING NUMBER
A9	UPDATED 2X10 PART NUMBERS
A8	UPDATED 2X3 DRAWING NUMBER
A7	UPDATED 2X10 INTERFACE
A6	ADDED TRANSMISSION REFERENCES
A5	ADD 2X10 INTERFACE SHEETS
A4	ADD UL V0 CONFIGURATIONS
A3	ADDED 2X3 STD AND TRANSMISSION
A2	UPDATED 2X8 BLD DRAWINGS
A1	FIXED TYPO IN NOTE 1a, UPDATED 2X6 MOLEX INLINE BLADE DRAWING
A	INITIAL RELEASE
REV	REV DESCRIPTION

INSPECTION NUMBER LOG	
LAST NUMBER:	11
ADDED:	11
REMOVED:	

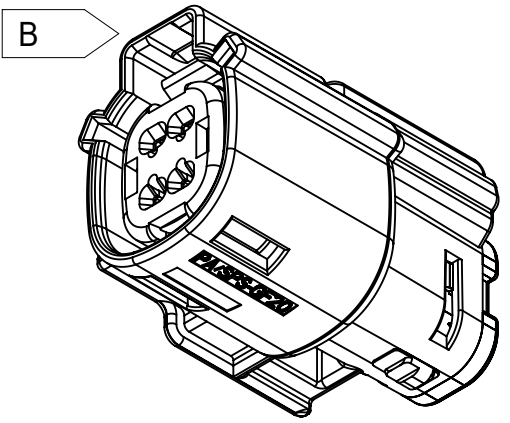
SYMBOLS THIS DRAWING CONTAINS INFORMATION THAT IS PROPRIETARY TO MOLEX ELECTRONIC TECHNOLOGIES, LLC AND SHOULD NOT BE USED WITHOUT WRITTEN PERMISSION DIMENSION UNITS: mm SCALE: 1:1 GENERAL TOLERANCES (UNLESS SPECIFIED): ANGULAR TOL: ± 1.0° 4 PLACES: ± 3 PLACES: ± 2 PLACES: ± 0.1 1 PLACE: ± 0.2 0 PLACES: ± DRAFT WHERE APPLICABLE MUST REMAIN WITHIN DIMENSIONS	CURRENT REV DESC: EC NO: 171650 DRWN: DDEB 2018/01/19 CHK'D: MVANSLAMBROU 2018/02/16 APPR: MVANSLAMBROU 2018/02/16 INITIAL REVISION: DRWN: APROFFITT 2014/05/14 APPR: VKOSHY 2014/06/27	 MX150 RCPT DUAL ROW SEALED ASSEMBLY MAT SEAL PRODUCT CUSTOMER DRAWING
	THIRD ANGLE PROJECTION: DRAWING: A1-SIZE SERIES: 33472	

SHEET DESCRIPTION

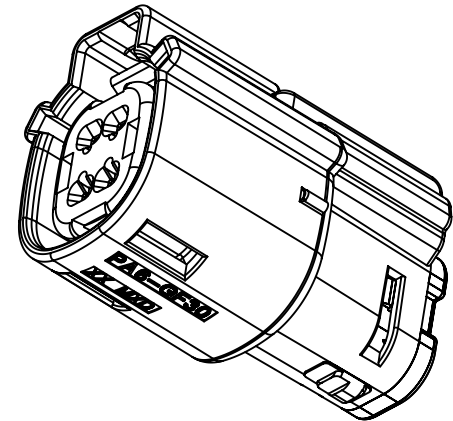
CONFIGURATIONS



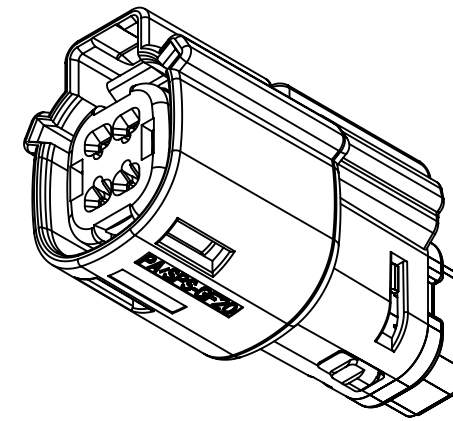
2X2 - STD.
2X2 - TRNS. - SILICONE FREE †



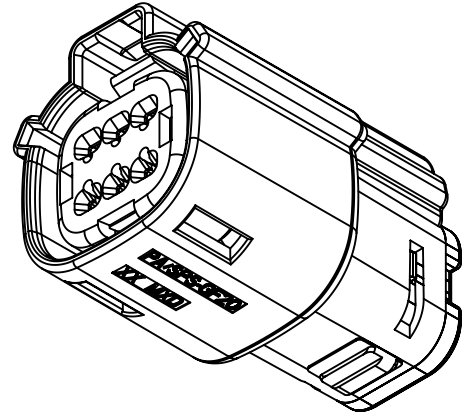
2X2 - STD. - WITH CLIPSLOT *



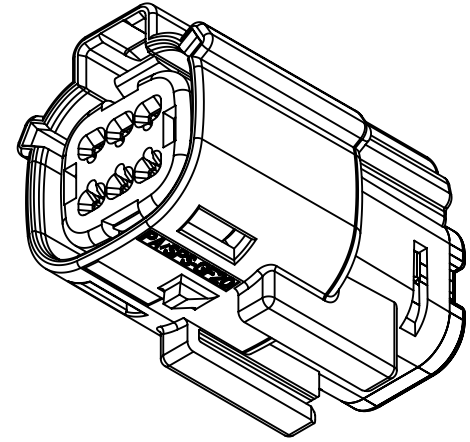
† 2X2 - UL V0



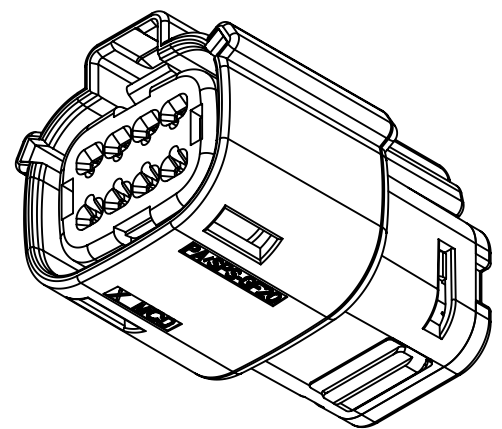
2X2 - STD. - LENGTHENED



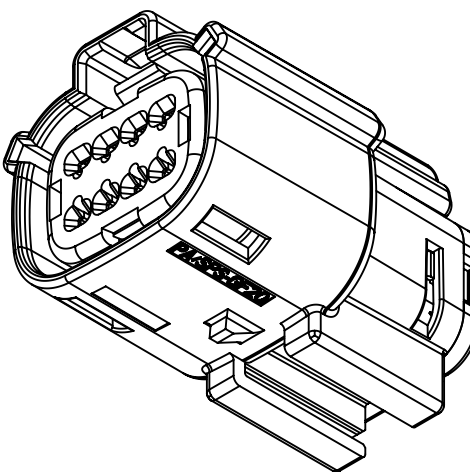
2X3 - STD.
2X3 - TRNS. - CONTAINS SILICONE †



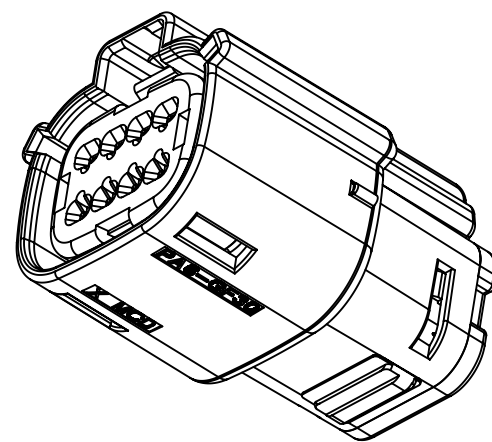
2X3 - STD. - WITH CLIPSLOT *



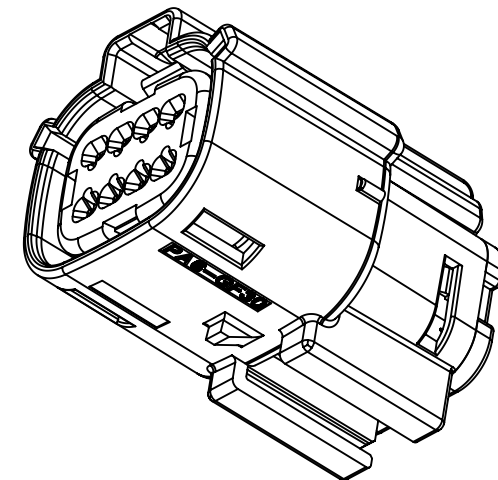
2X4 - STD.



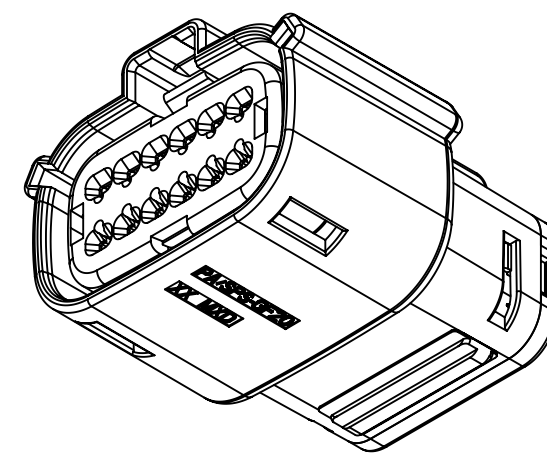
2X4 - STD. - WITH CLIPSLOT *



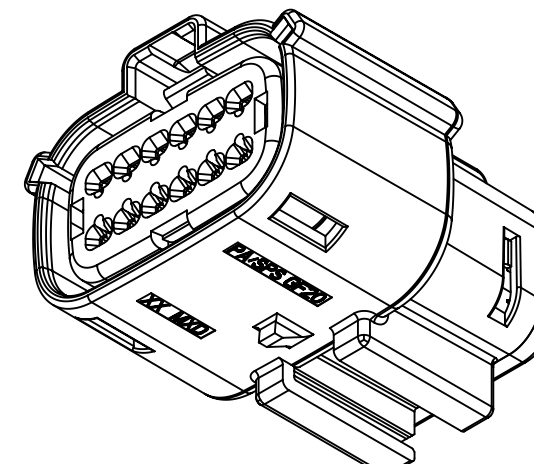
† 2X4 - UL V0



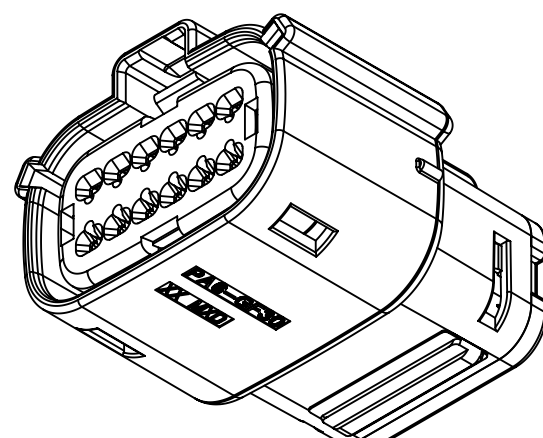
† 2X4 - UL V0-WITH CLIPSLOT*



2X6 - STD.



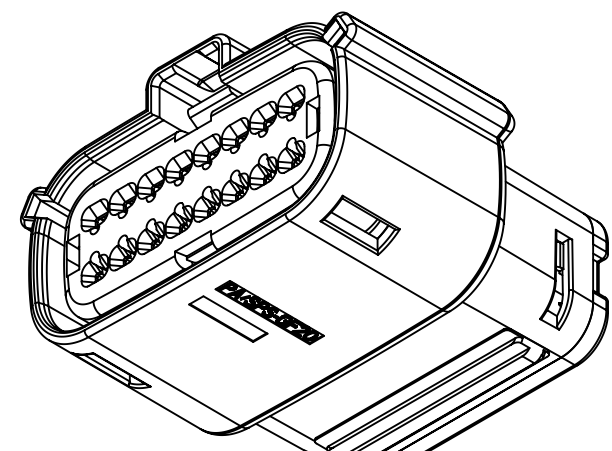
2X6 - STD. - WITH CLIPSLOT *



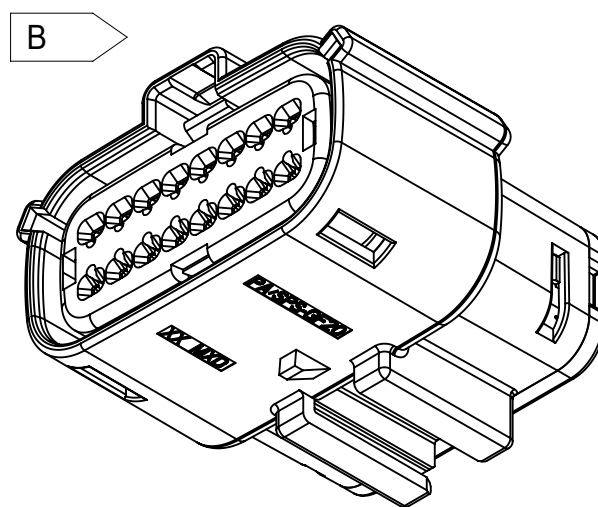
† 2X6 - UL V0

C1 † 2X6 - TRNS.

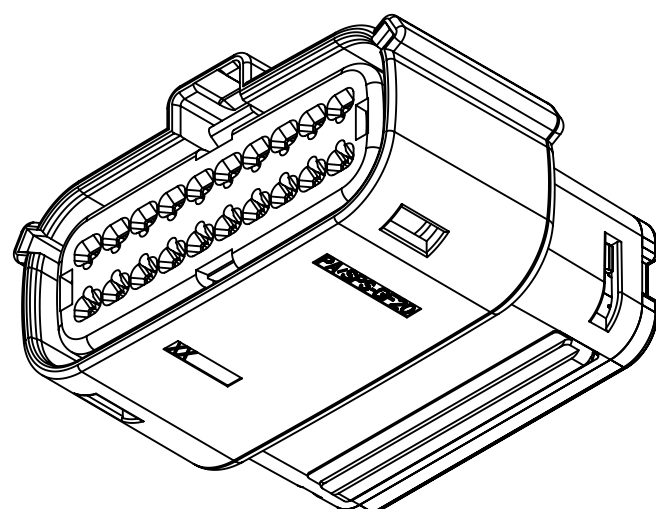
C1 † 2X6 - TRNS. - WITH CLIPSLOT *



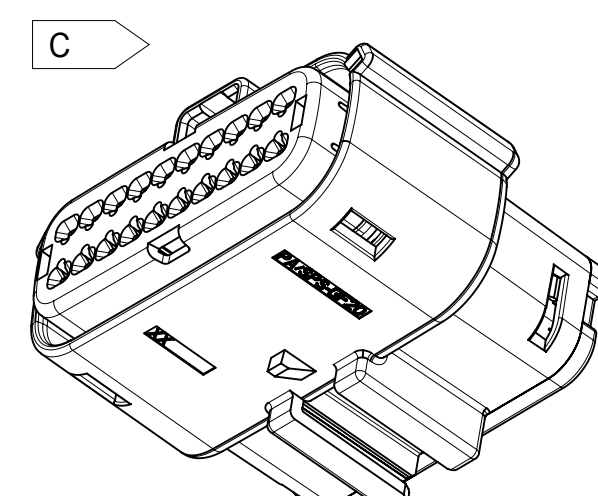
2X8 - STD.



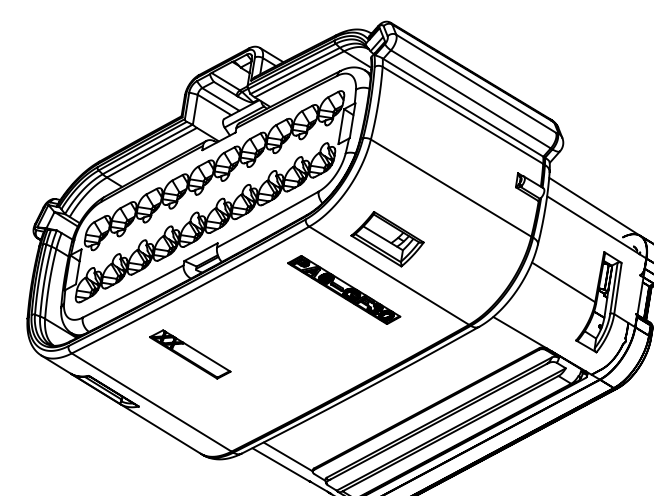
2X8 - STD. - WITH CLIPSLOT *



2X10 - STD.



2X10 - STD. - WITH CLIPSLOT *



† 2X10 - UL V0

* WITH CLIPSLOT CONFIGURATION DOES NOT MEET THE USCAR PACKAGING FRAME REQUIREMENTS
† MINOR GEOMETRY DIFFERENCE THAN STANDARD CONFIGURATION
SEE NOTES 1a & 2a-b FOR MORE INFORMATION

SYMBOLS		THIS DRAWING CONTAINS INFORMATION THAT IS PROPRIETARY TO MOLEX ELECTRONIC TECHNOLOGIES, LLC AND SHOULD NOT BE USED WITHOUT WRITTEN PERMISSION		CURRENT REV DESC:		molex	
	= 0	DIMENSION UNITS	SCALE	EC NO: 171650		MX150 RCPT	
	= 0	mm	1:1	DRWN: DDEB 2018/01/19		DUAL ROW SEALED ASSEMBLY MAT SEAL	
	= 0	GENERAL TOLERANCES (UNLESS SPECIFIED)		CHK'D: MVANSLAMBROU 2018/02/16		PRODUCT CUSTOMER DRAWING	
	= 0	ANGULAR TOL ± 1.0°		APPR: MVANSLAMBROU 2018/02/16		DOCUMENT NUMBER	
	= 0	4 PLACES	±	INITIAL REVISION:		DOC TYPE DOC PART REVISION	
	= 0	3 PLACES	±	DRWN: APROFFITT 2014/05/14		SD-33472-0001	
	= 0	2 PLACES	± 0.1	APPR: VKOSHY 2014/06/27		PSD 001 C2	
	= 0	1 PLACE	± 0.2	MATERIAL NUMBER		CUSTOMER	
	= 0	0 PLACES	±	DRAWING		GENERAL MARKET	
	= 0	DRAFT WHERE APPLICABLE MUST REMAIN WITHIN DIMENSIONS		SERIES		SHEET NUMBER	
	= 0	THIRD ANGLE PROJECTION		A1-SIZE		2 OF 11	
	= 0	DRAWING		33472			

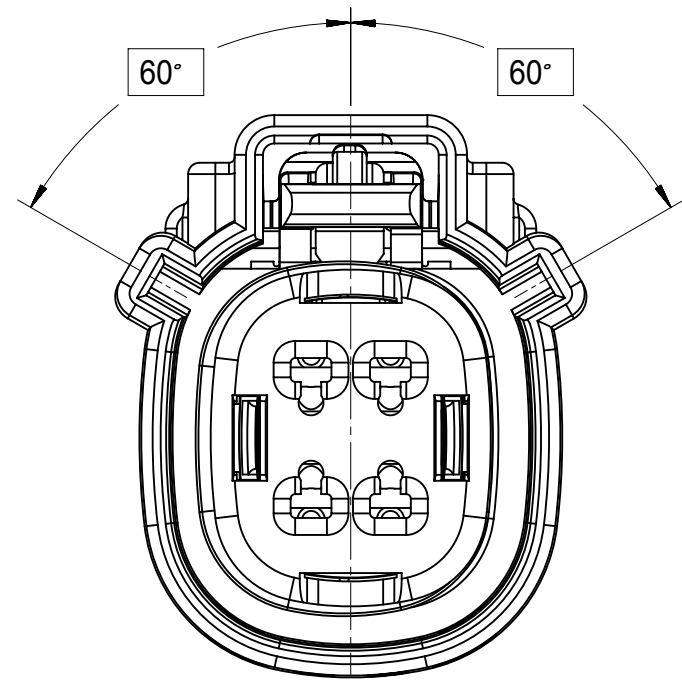
SHEET DESCRIPTION

KEY CONFIGURATIONS

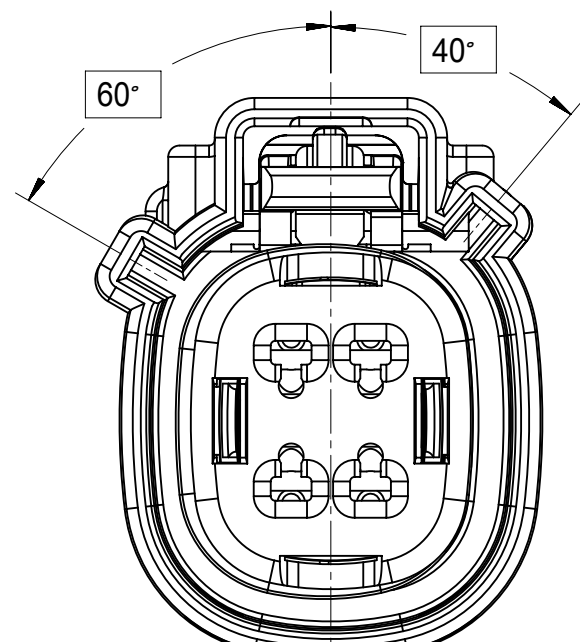
2X2

2X3

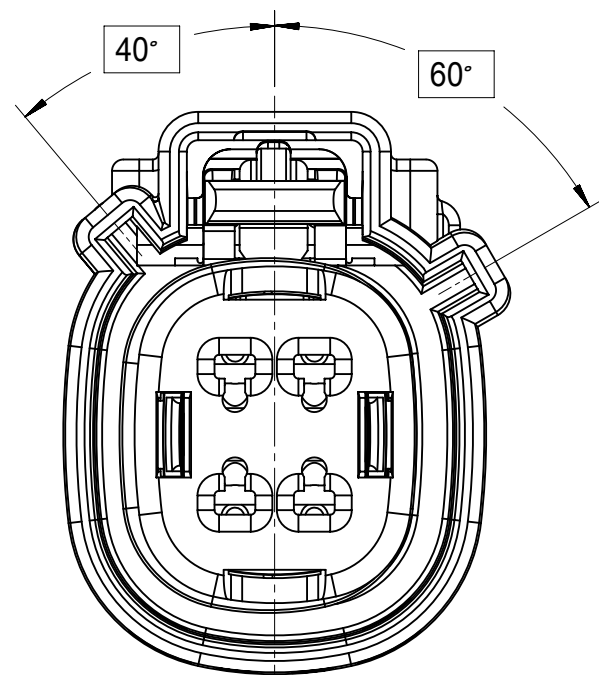
2X4



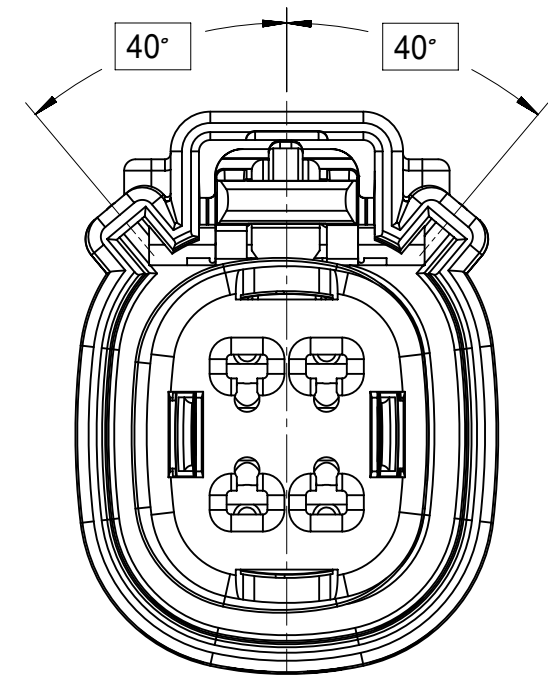
KEY A



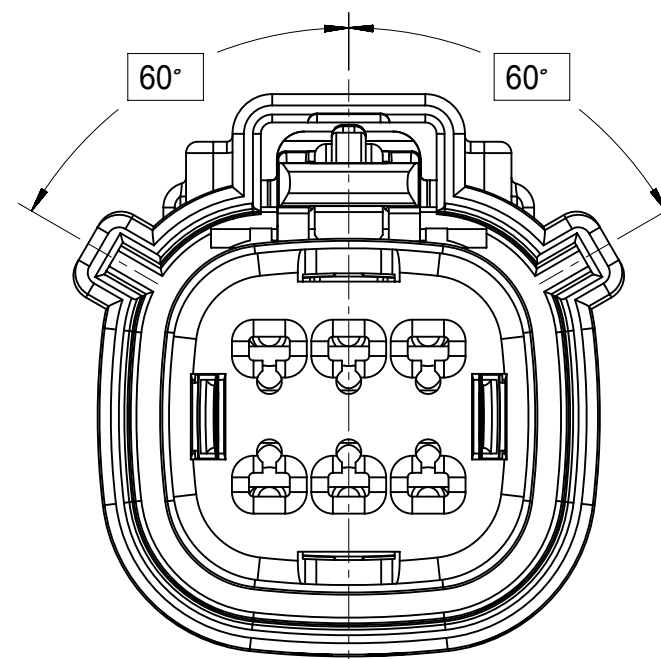
KEY B



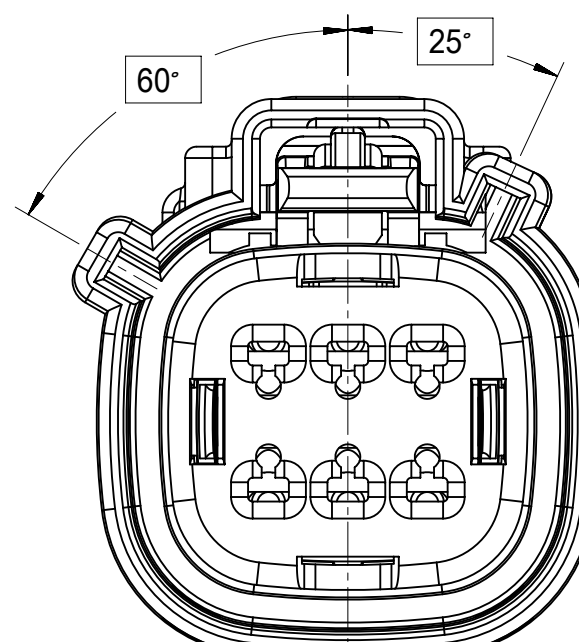
KEY C



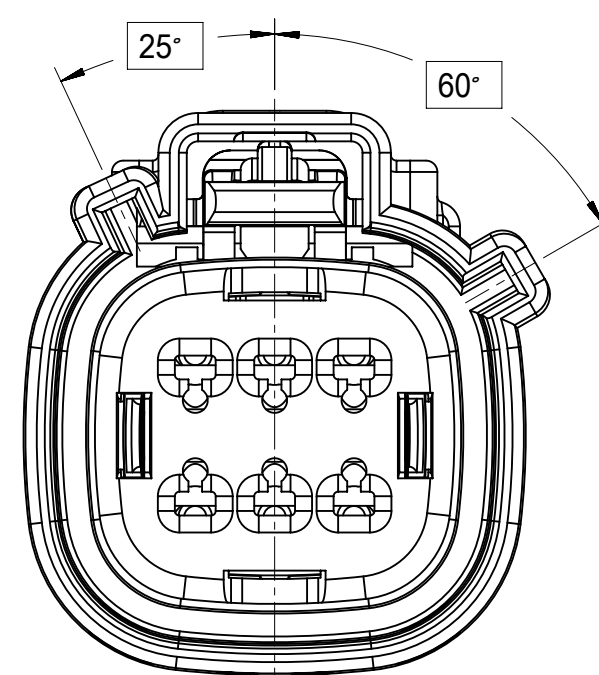
KEY D



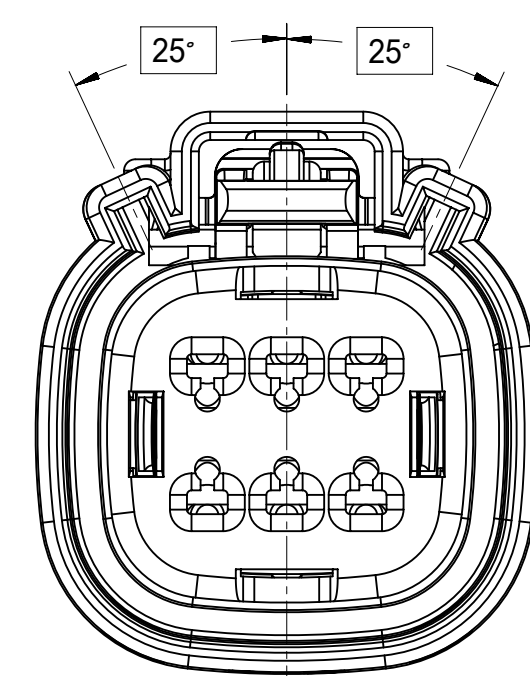
KEY A



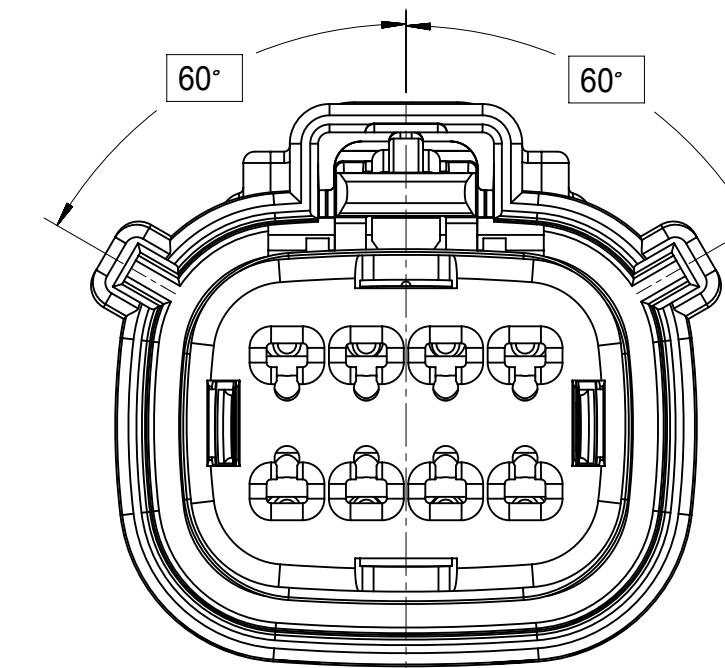
KEY B



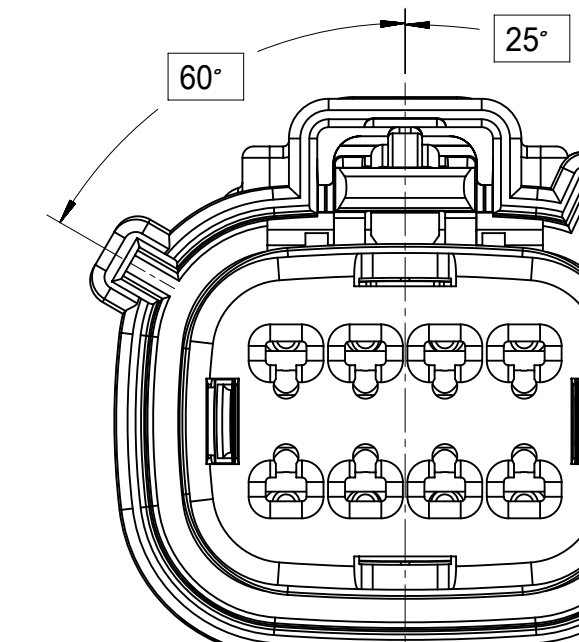
KEY C



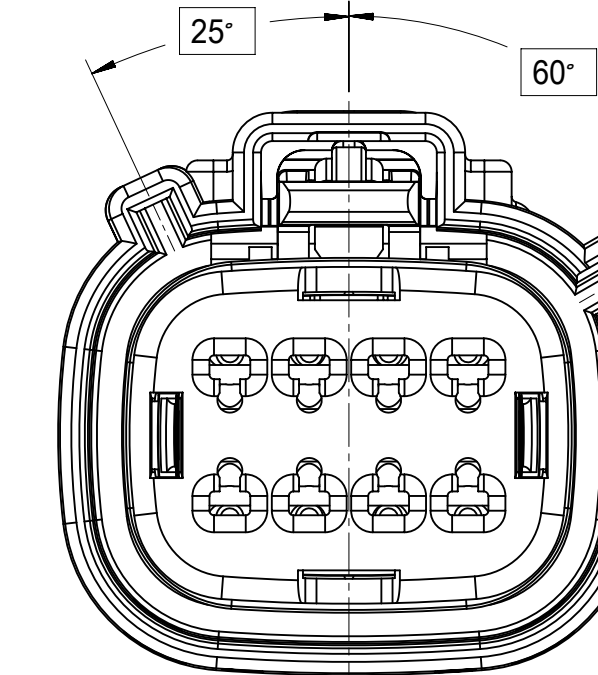
KEY D



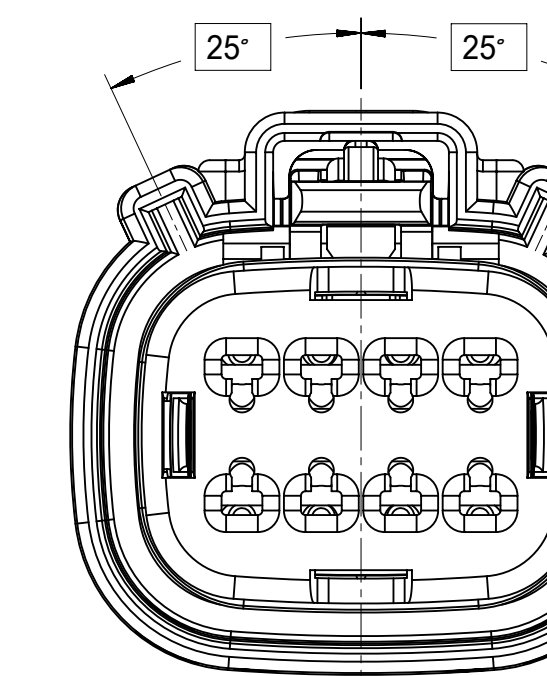
KEY A



KEY B



KEY C



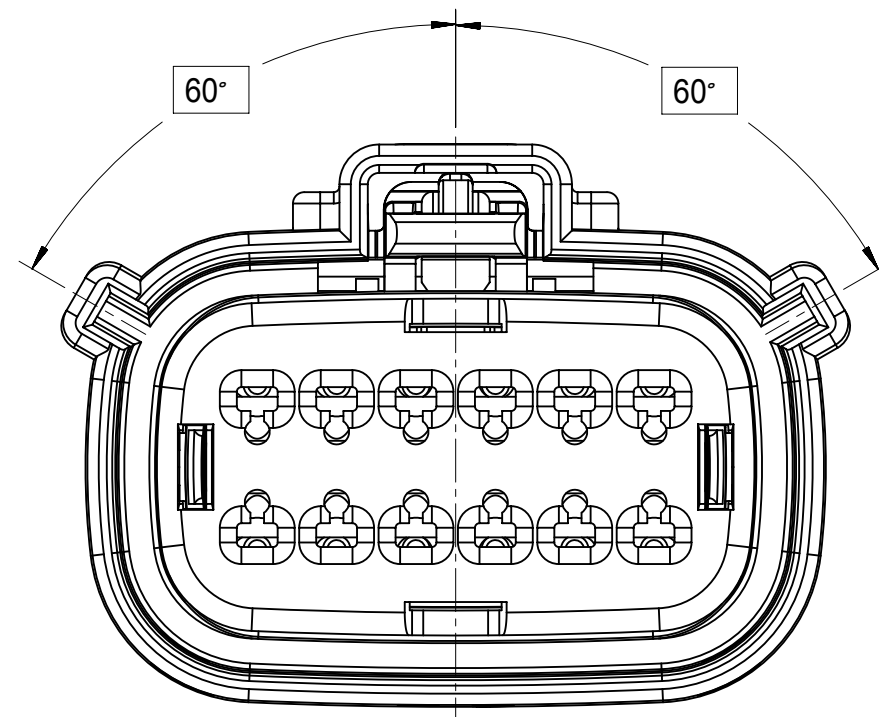
KEY D

SYMBOLS = 0 = 0 = 0 = 0 = 0 = 0 = 0 = 0 = 0 = 0	THIS DRAWING CONTAINS INFORMATION THAT IS PROPRIETARY TO MOLEX ELECTRONIC TECHNOLOGIES, LLC AND SHOULD NOT BE USED WITHOUT WRITTEN PERMISSION DIMENSION UNITS: mm SCALE: 1:1	CURRENT REV DESC: EC NO: 171650 DRWN: DDEB 2018/01/19 CHK'D: MVANSLAMBROU 2018/02/16 APPR: MVANSLAMBROU 2018/02/16			
	GENERAL TOLERANCES (UNLESS SPECIFIED) ANGULAR TOL ± 1.0° 4 PLACES ± 3 PLACES ± 2 PLACES ± 0.1 1 PLACE ± 0.2 0 PLACES ± DRAFT WHERE APPLICABLE MUST REMAIN WITHIN DIMENSIONS	INITIAL REVISION: DRWN: APROFFITT 2014/05/14 APPR: VKOSHY 2014/06/27	PRODUCT CUSTOMER DRAWING DOCUMENT NUMBER: SD-33472-0001 DOC TYPE: PSD DOC PART: 001 REVISION: C2		
	THIRD ANGLE PROJECTION 	DRAWING: A1-SIZE SERIES: 33472	MATERIAL NUMBER CUSTOMER: GENERAL MARKET	SHEET NUMBER 3 OF 11	

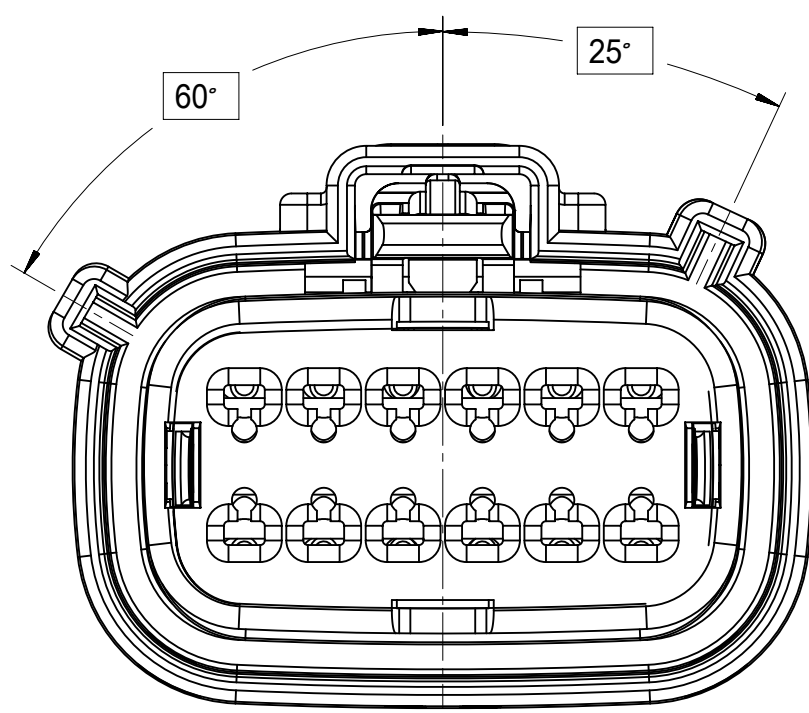
SHEET DESCRIPTION

KEY CONFIGURATIONS CONT.

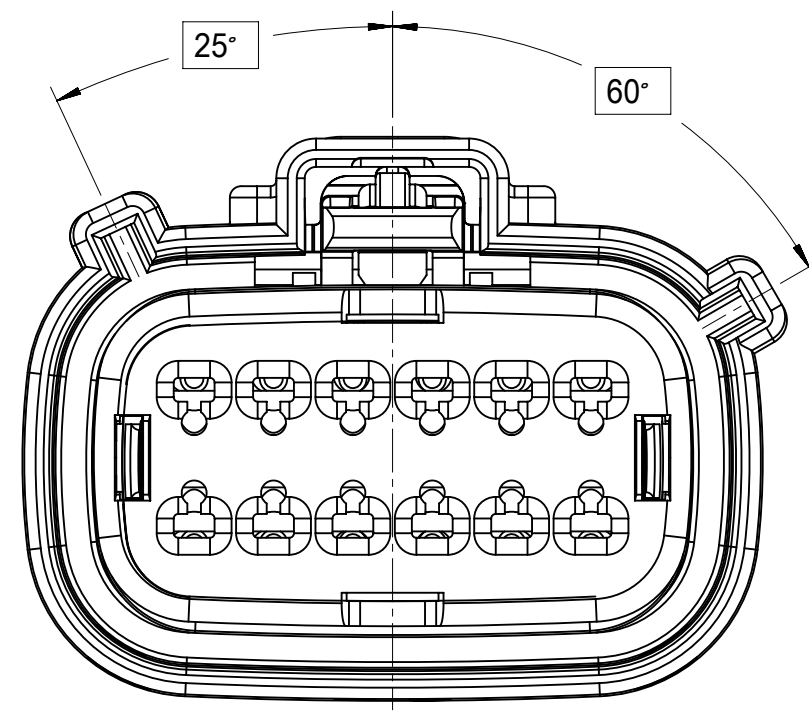
2X6



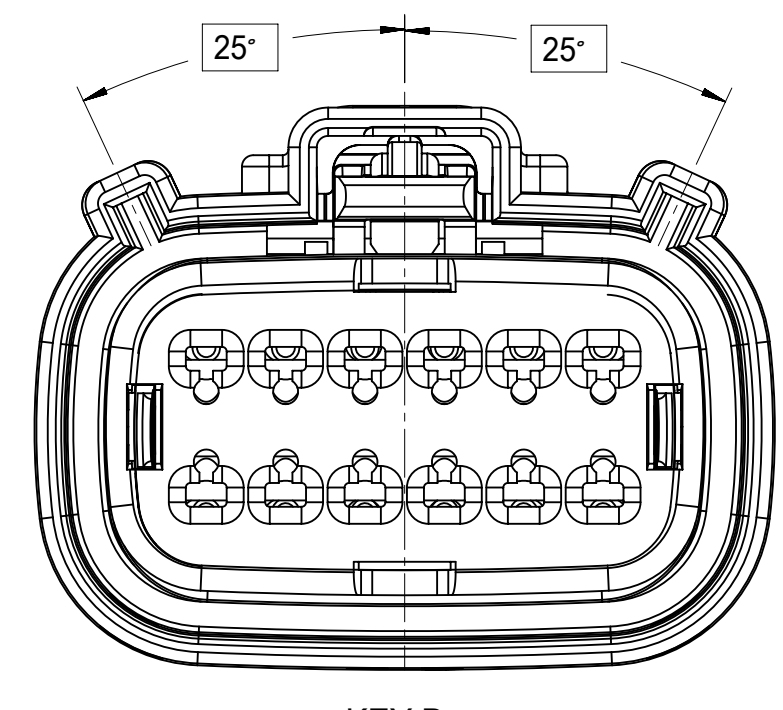
KEY A



KEY B

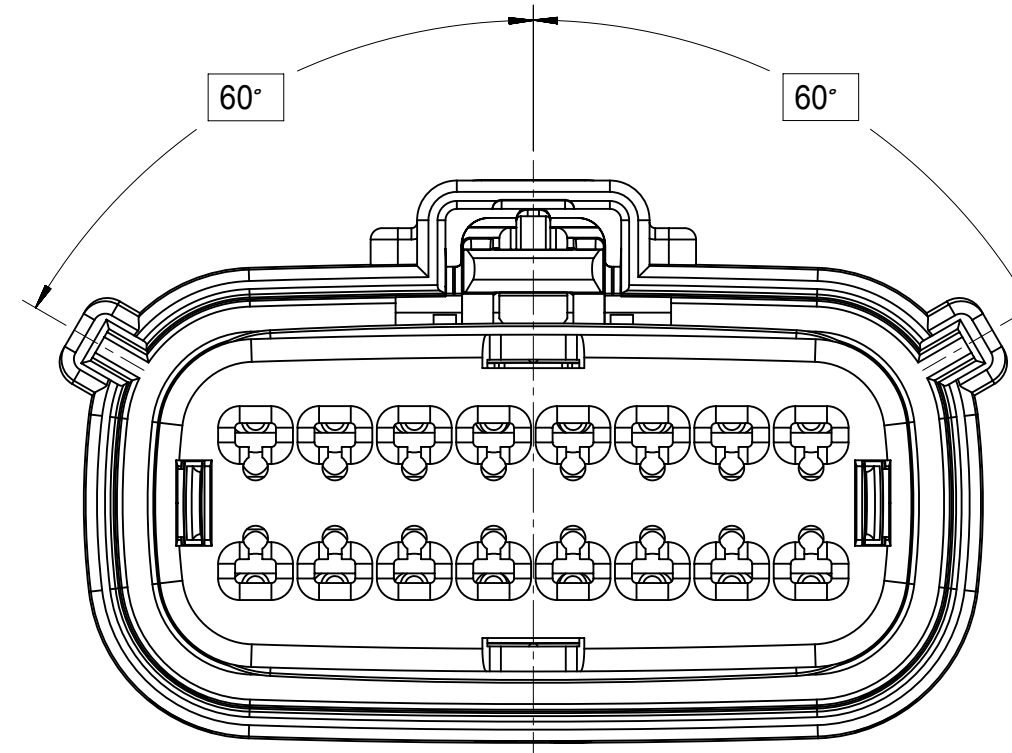


KEY C

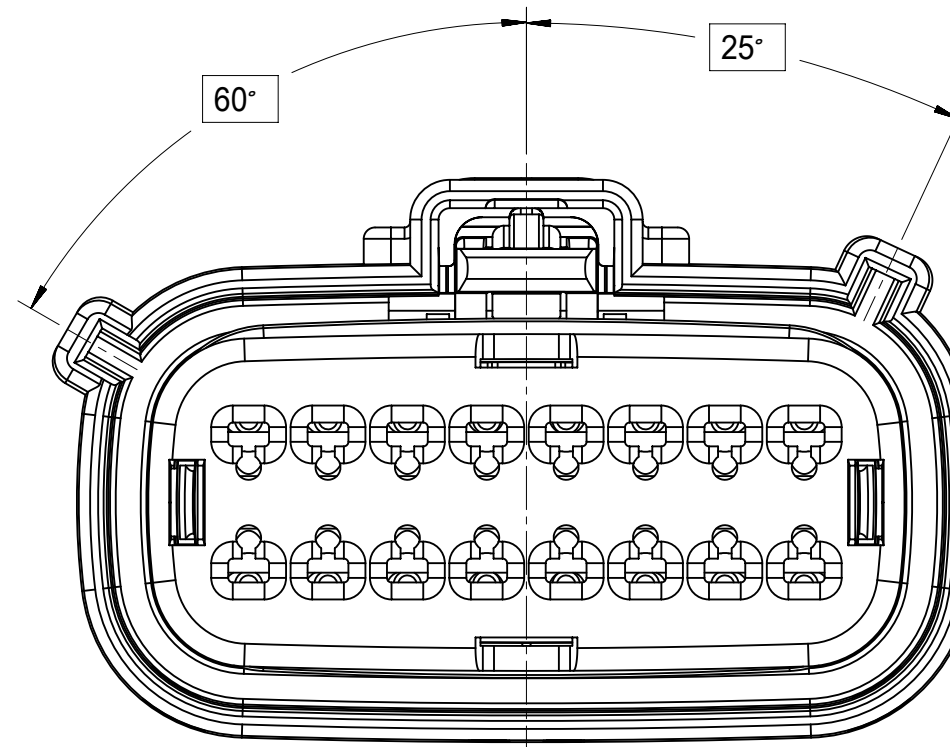


KEY D

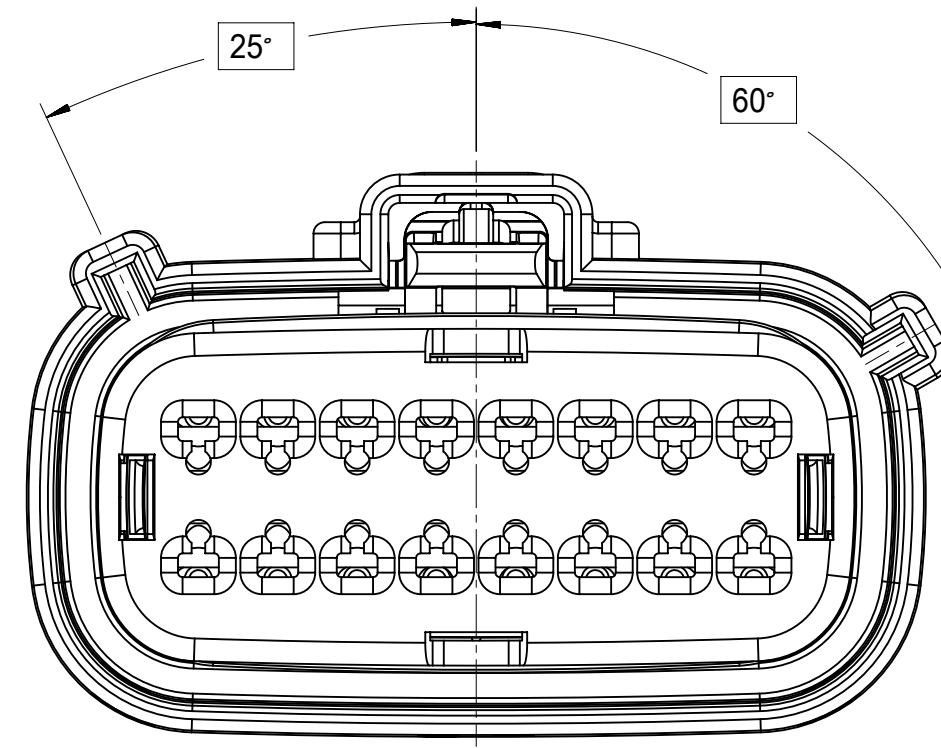
2X8



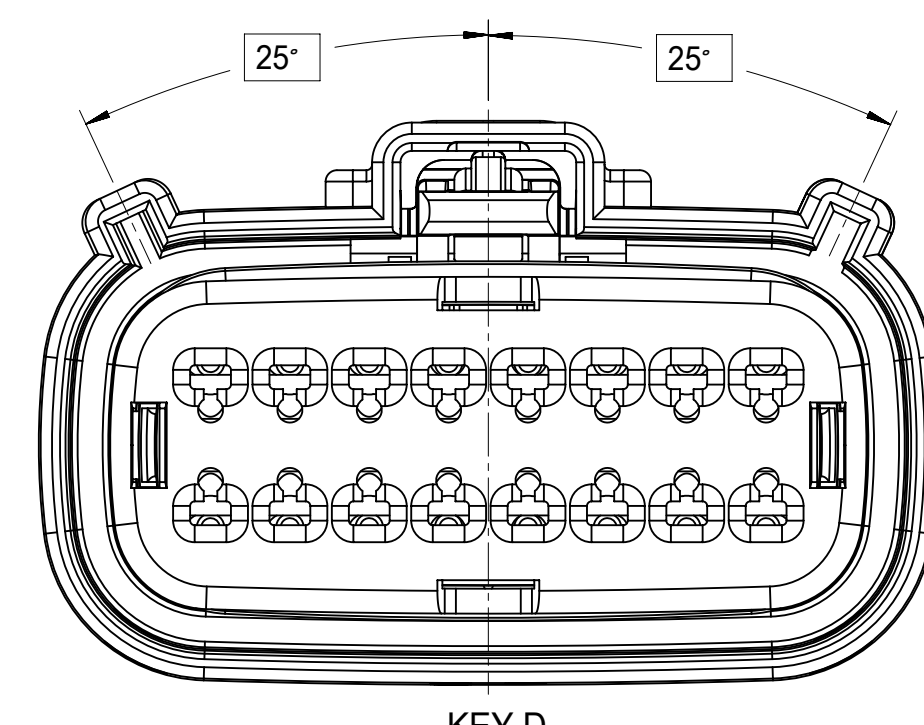
KEY A



KEY B

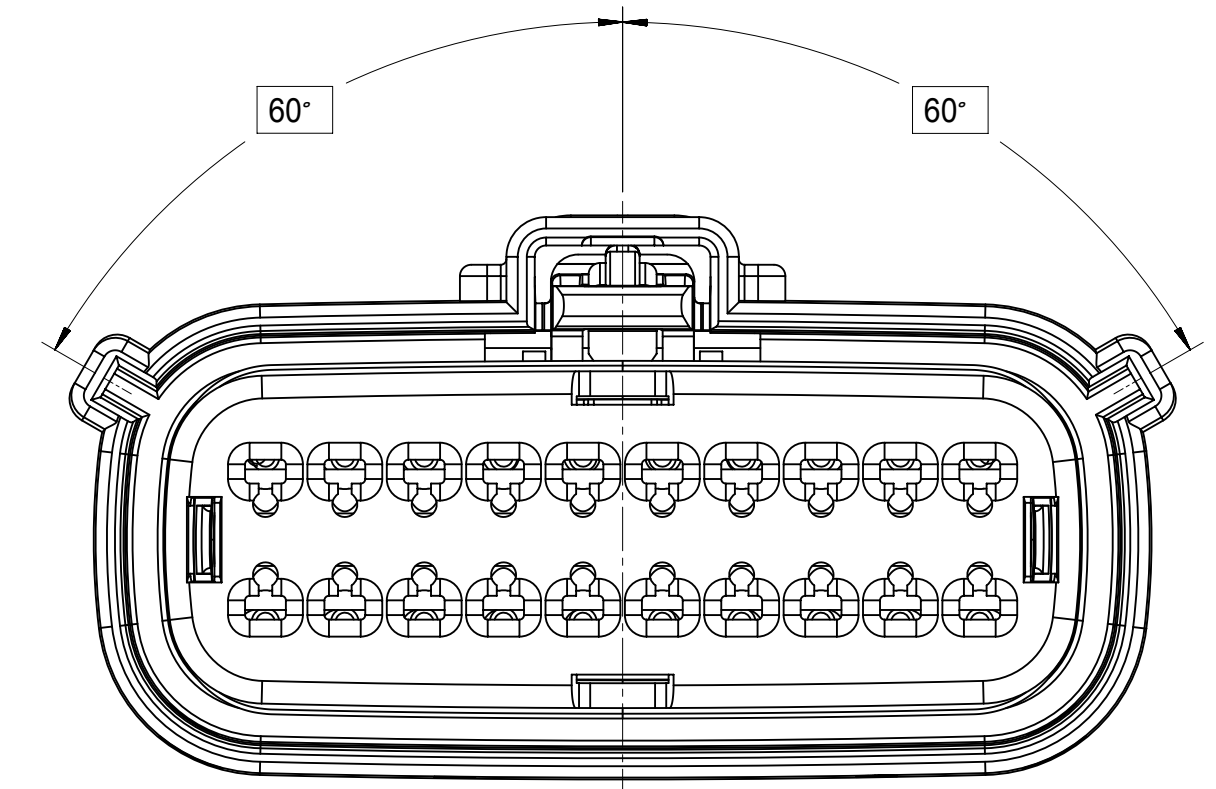


KEY C

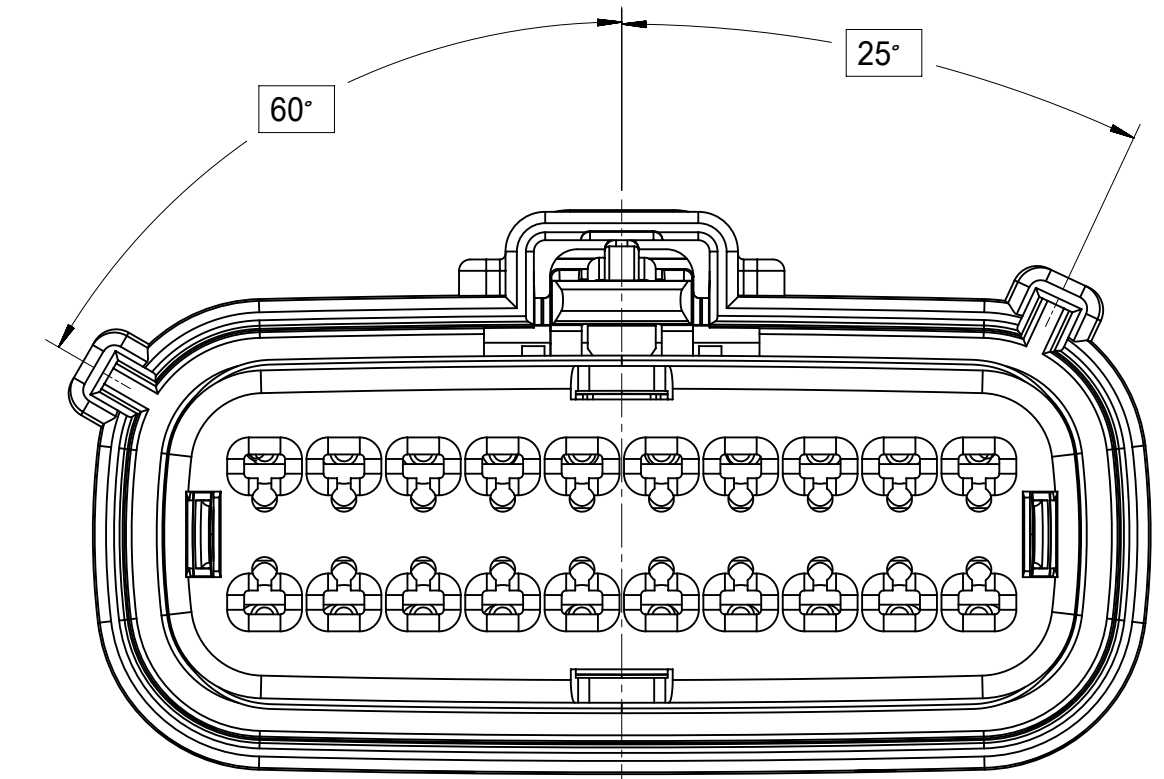


KEY D

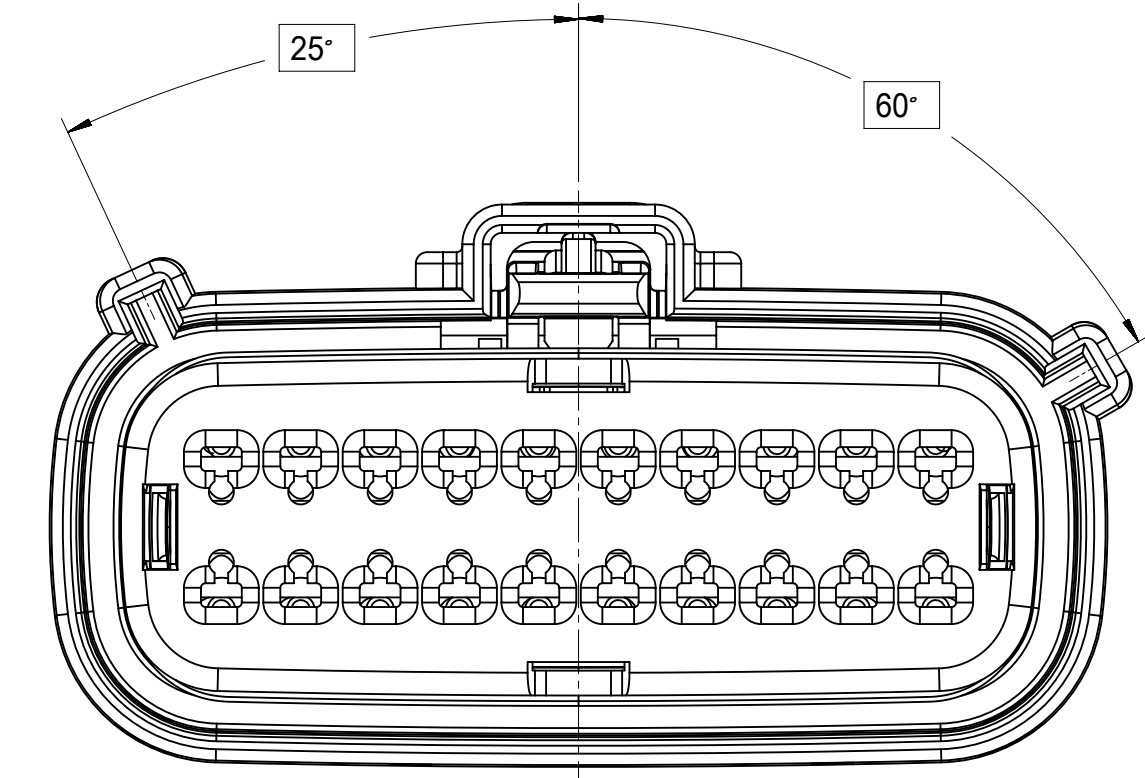
2X10



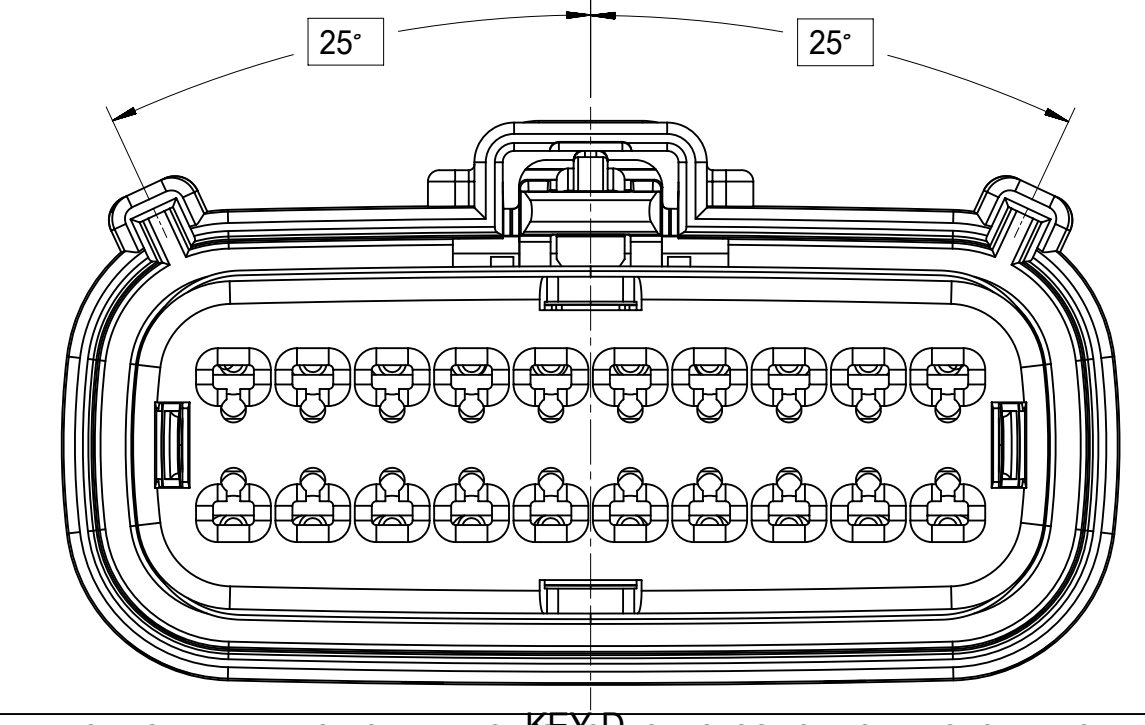
KEY A



KEY B



KEY C



KEY D

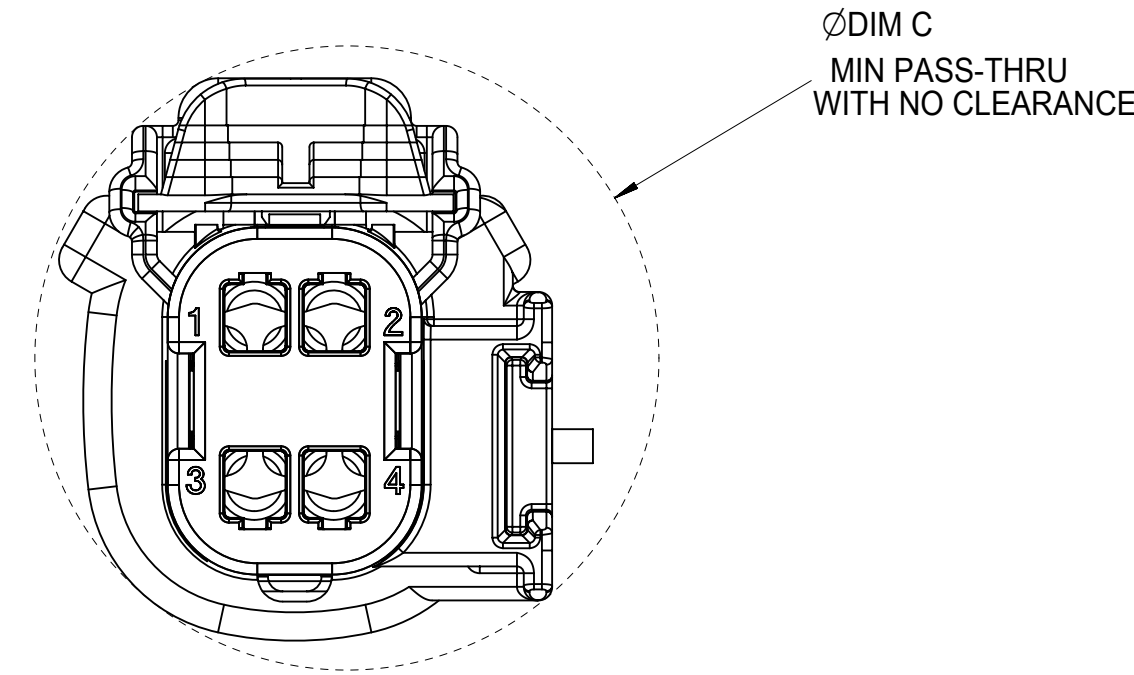
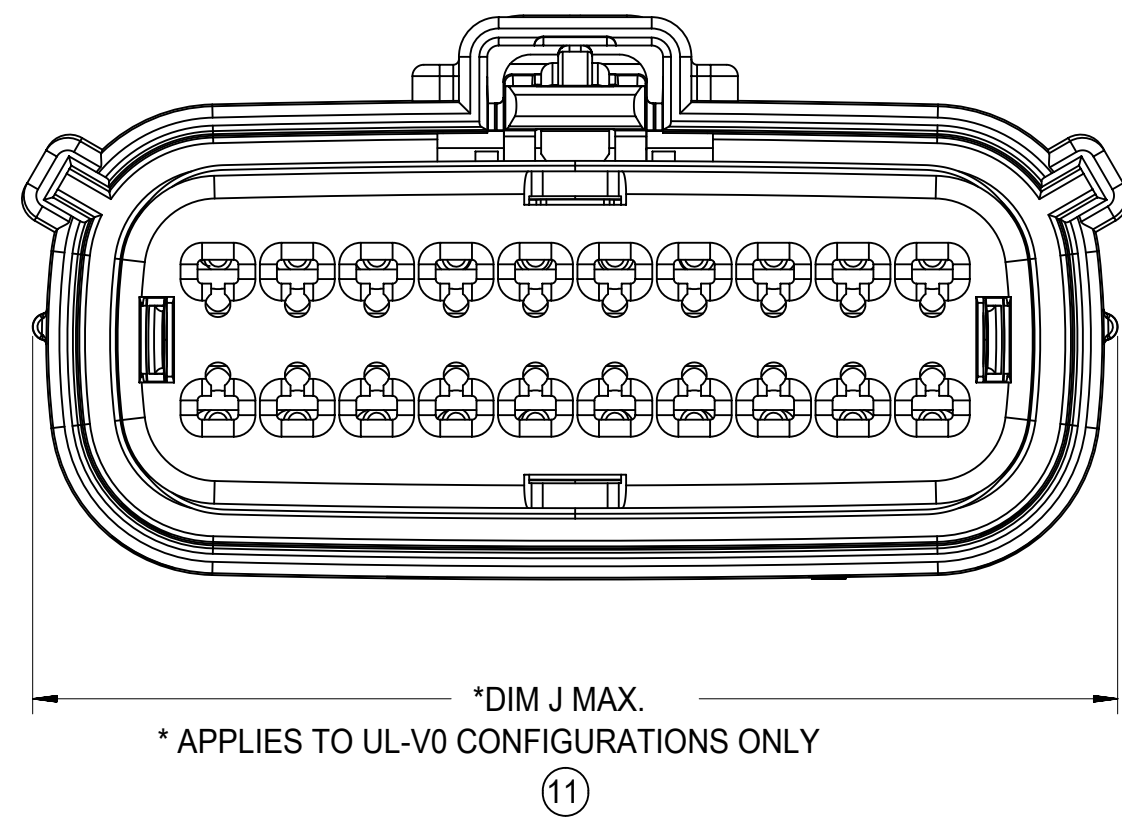
SYMBOLS = 0 = 0 = 0 = 0 = 0 = 0 = 0 = 0 = 0	THIS DRAWING CONTAINS INFORMATION THAT IS PROPRIETARY TO MOLEX ELECTRONIC TECHNOLOGIES, LLC AND SHOULD NOT BE USED WITHOUT WRITTEN PERMISSION		CURRENT REV DESC:		
	DIMENSION UNITS: mm SCALE: 1:1	GENERAL TOLERANCES (UNLESS SPECIFIED) ANGULAR TOL ± 1.0°		EC NO: 171650 DRWN: DDEB 2018/01/19 CHK'D: MVANSLAMBROU 2018/02/16 APPR: MVANSLAMBROU 2018/02/16	
4 PLACES ± 3 PLACES ± 2 PLACES ± 0.1 1 PLACE ± 0.2 0 PLACES ±	DRAFT WHERE APPLICABLE MUST REMAIN WITHIN DIMENSIONS		INITIAL REVISION: DRWN: APROFFITT 2014/05/14 APPR: VKOSHY 2014/06/27		PRODUCT CUSTOMER DRAWING
			THIRD ANGLE PROJECTION		DOCUMENT NUMBER: SD-33472-0001
			DRAWING: A1-SIZE SERIES: 33472		DOC TYPE: PSD DOC PART: 001 REVISION: C2
			MATERIAL NUMBER:		CUSTOMER: GENERAL MARKET SHEET NUMBER: 4 OF 11

SHEET DESCRIPTION

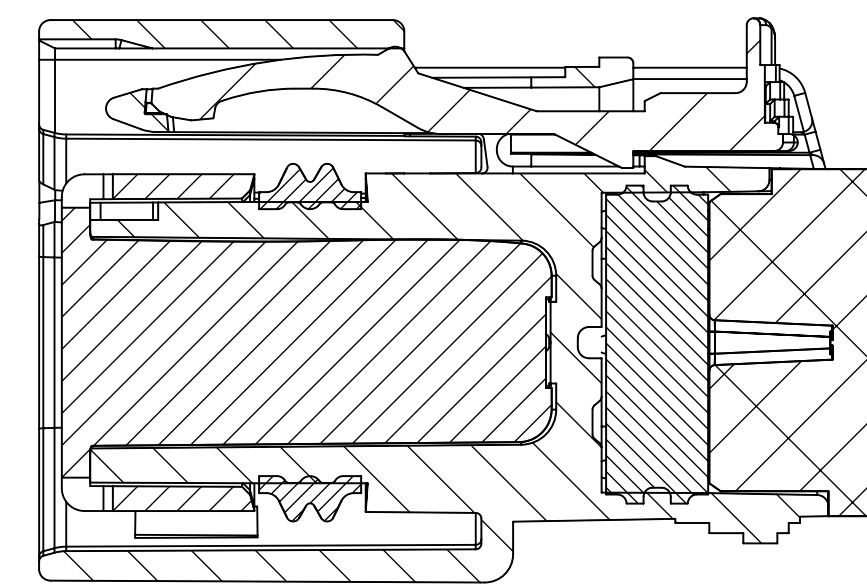
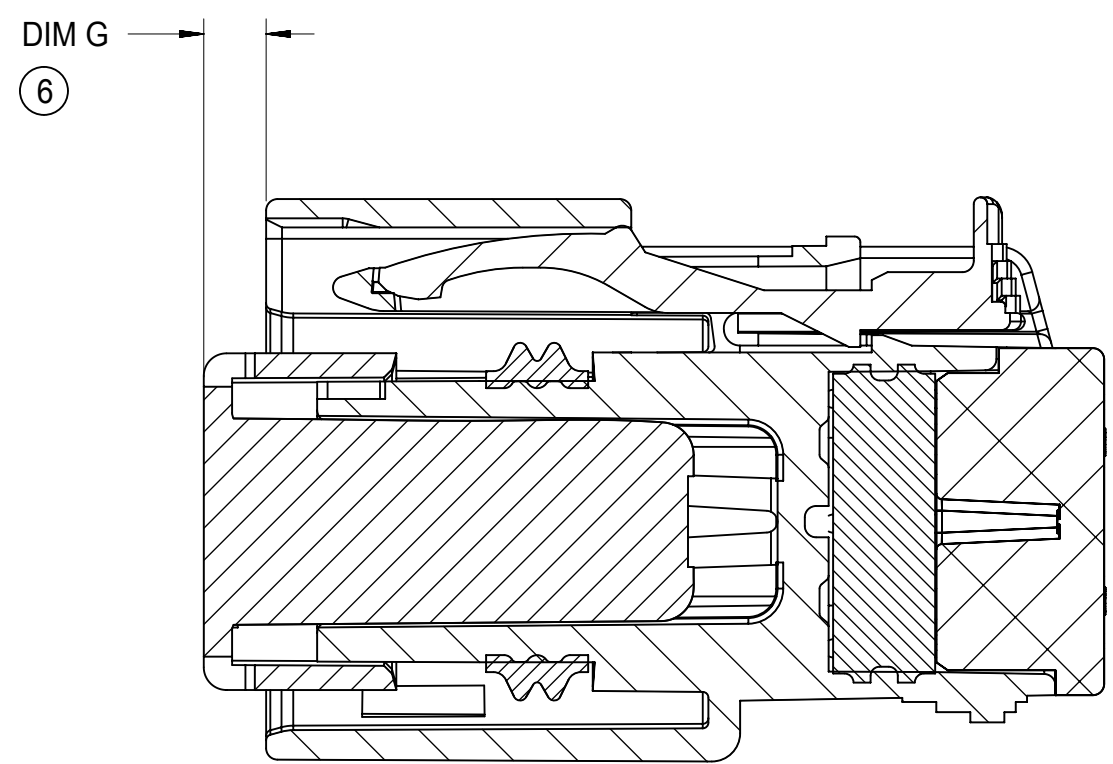
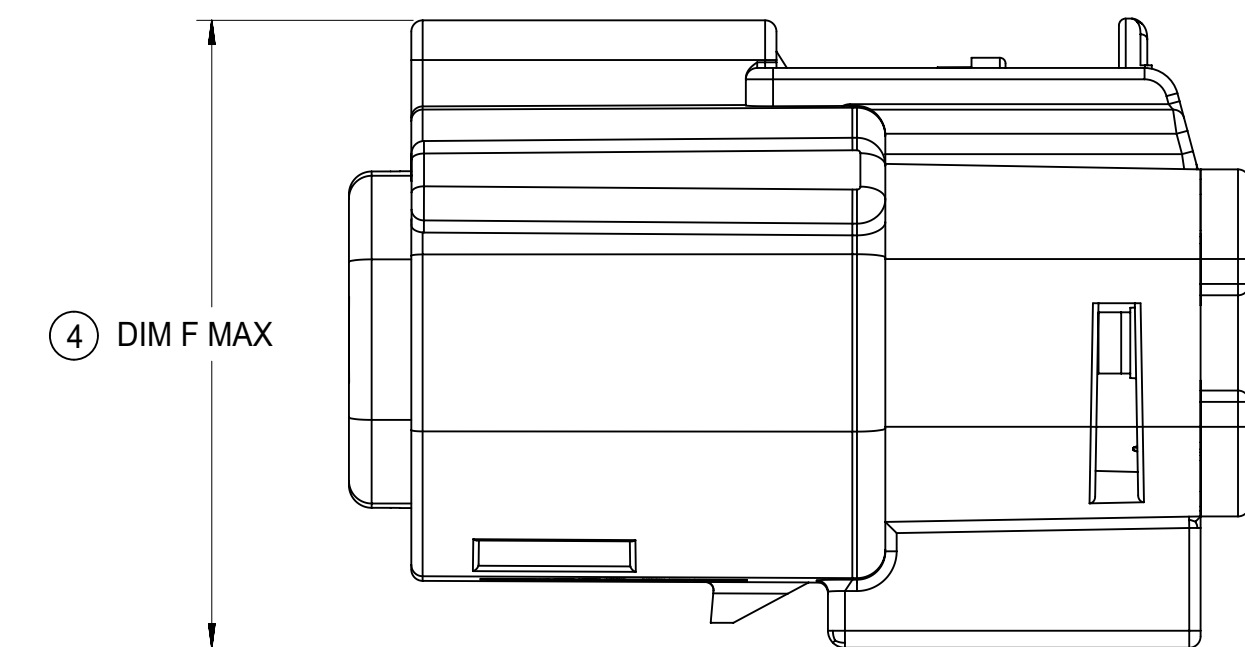
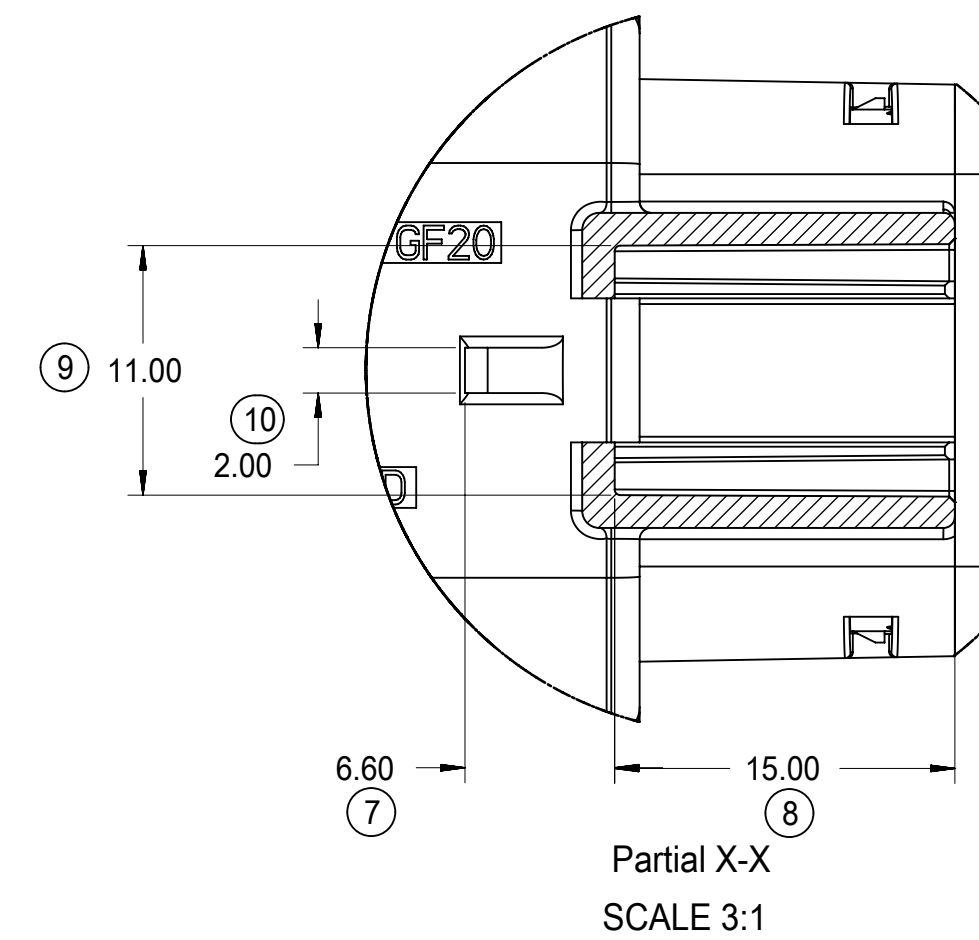
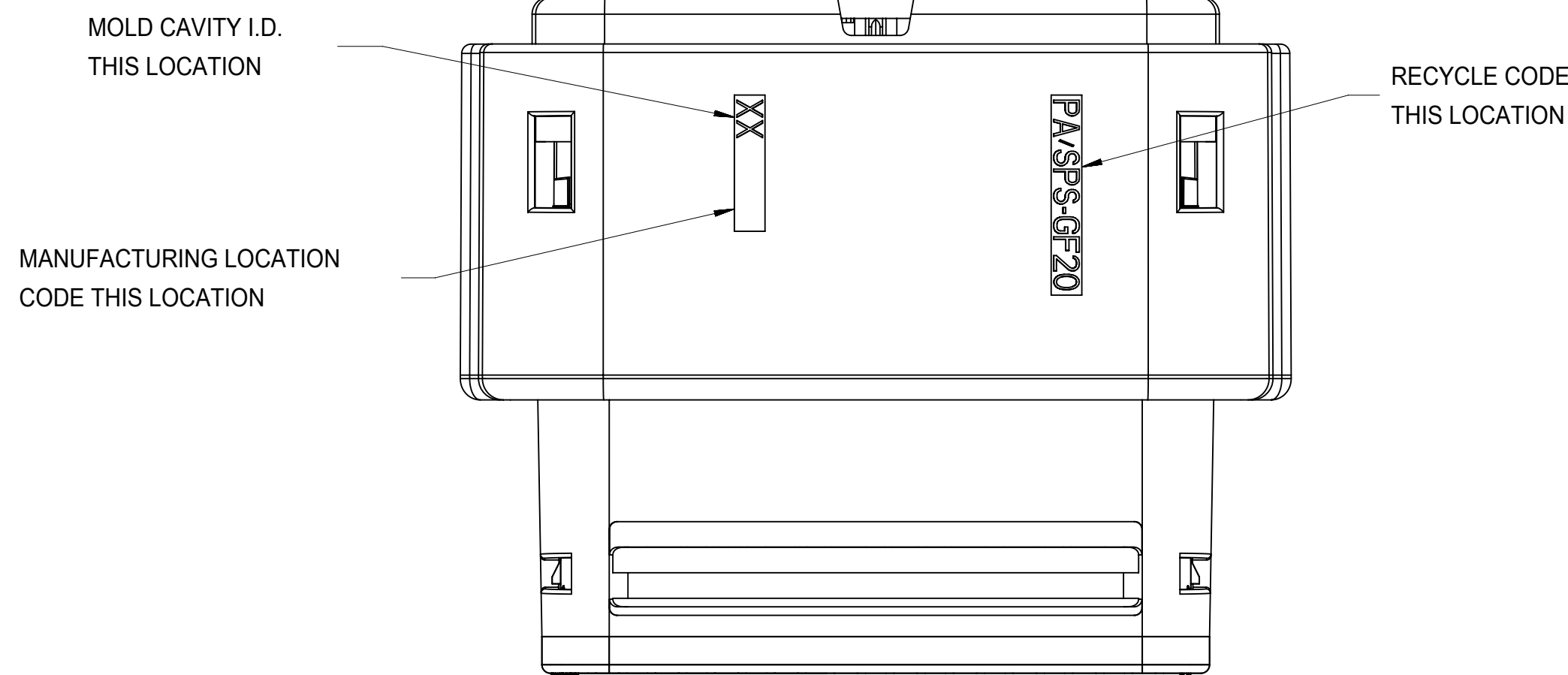
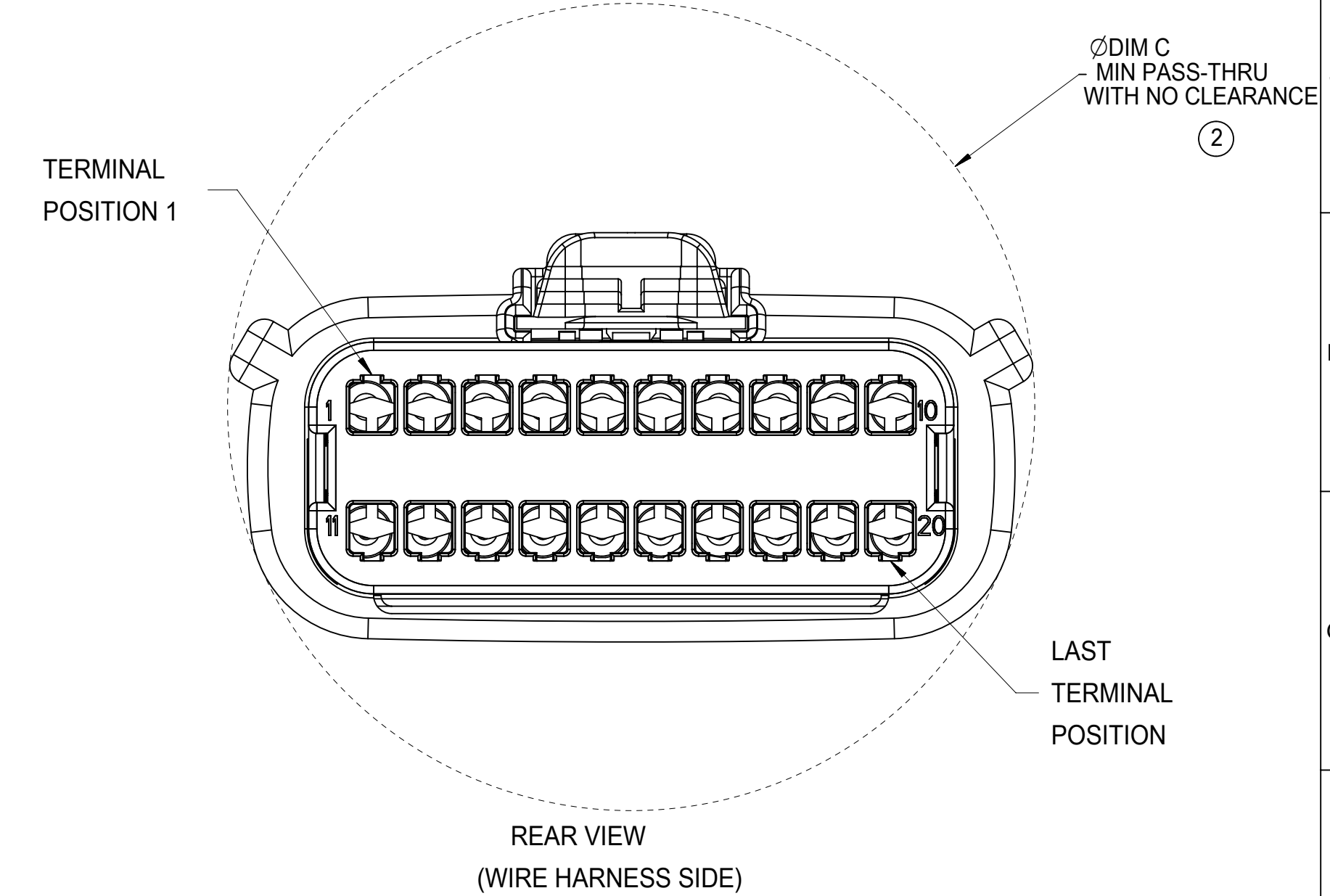
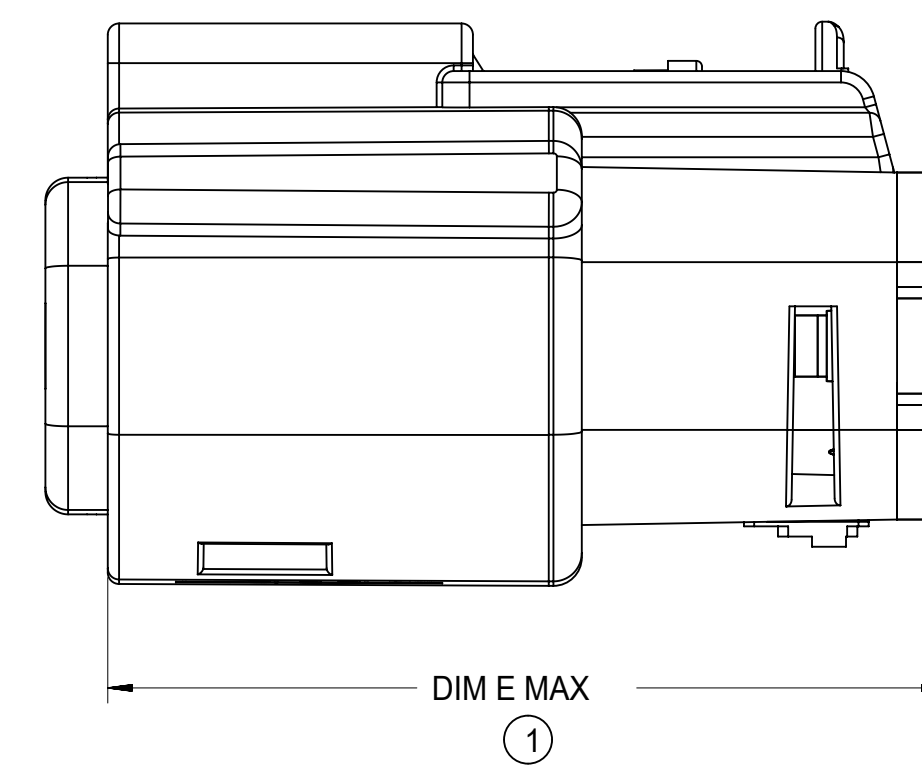
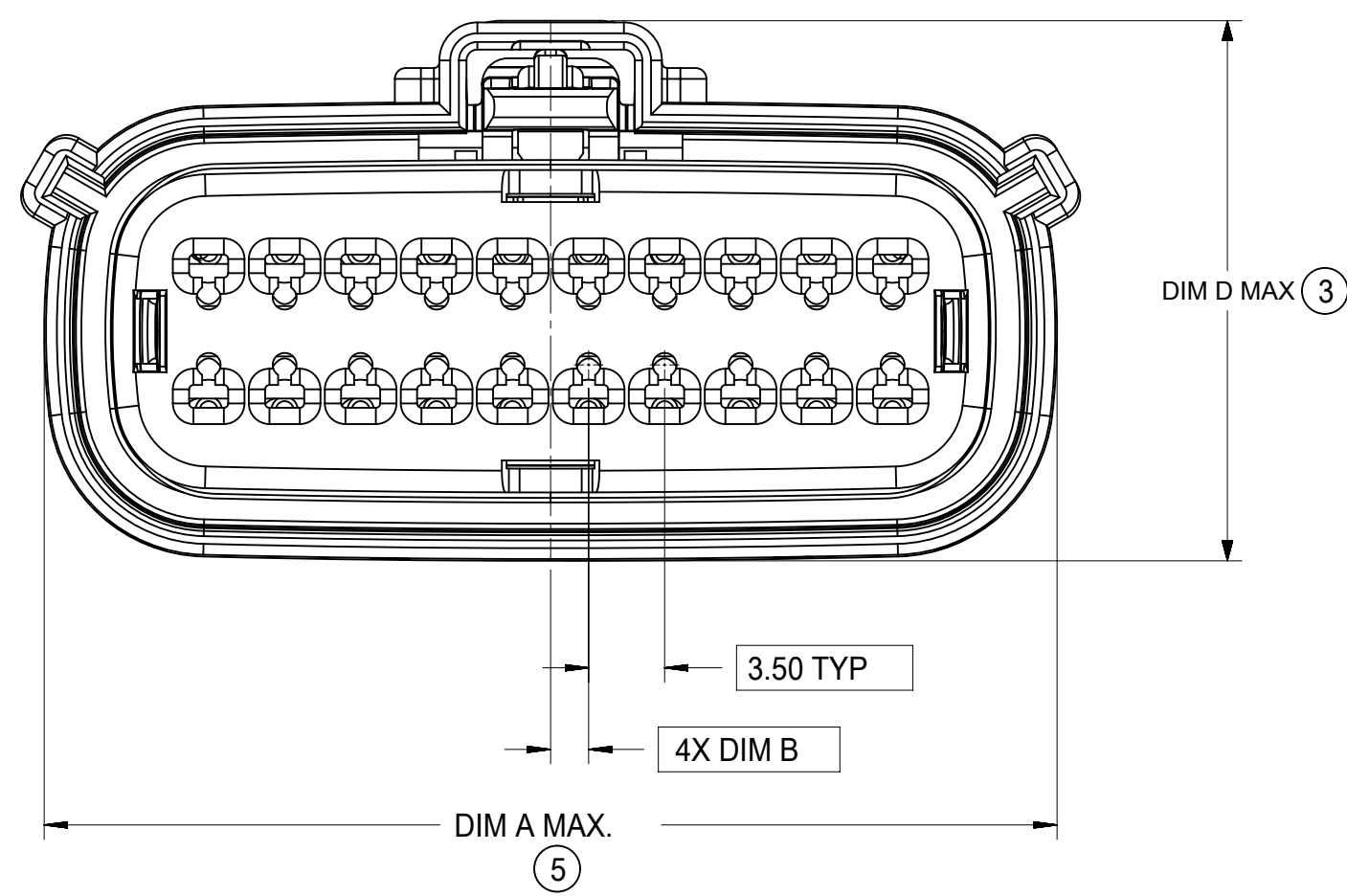
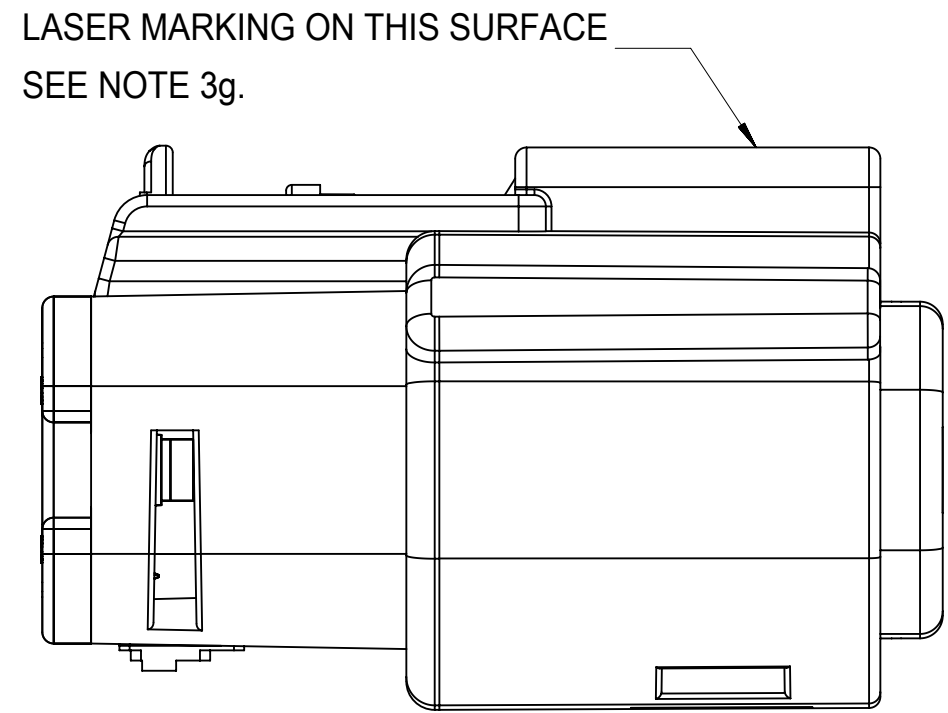
RECEPTACLE CONNECTOR ASSEMBLY

CHARTED DIMENSIONS

DESCRIPTION	DIMENSIONS						
	A	B	C	D	E	F	J
2X2 W/O CLIPSLOT	18.58	1.75	25.45	24.81	37.65	N/A	2.75±0.50
2X2 W/ CLIPSLOT	18.58	1.75	27.65	24.81	37.65	N/A	2.75±0.50
2X2 LENGTHENED	18.58	1.75	25.45	24.81	42.25	N/A	2.75±0.50
2X3 W/ CLIPSLOT	22.25	3.5	30.50	N/A	37.65	27.96	4.0±0.4
2X3 W/O CLIPSLOT	22.25	3.5	26.24	24.90	37.65	N/A	4.0±0.4
2X4 W/ CLIPSLOT	25.75	1.75	31.50	N/A	37.65	28.00	2.75±0.50
2X4 W/O CLIPSLOT	25.75	1.75	29.19	24.81	37.65	N/A	2.75±0.50
2X6 W/ CLIPSLOT	32.75	1.75	35.58	N/A	37.65	27.76	2.75±0.50
2X6 W/O CLIPSLOT	32.75	1.75	35.58	24.90	37.65	N/A	2.75±0.50
2X6 W/O CLIPSLOT V0	32.75	1.75	35.58	25.0	37.65	N/A	2.75±0.50
2X8 W/O CLIPSLOT	39.80	1.75	42.25	24.90	37.65	N/A	4.0±0.4
2X8 W/ CLIPSLOT	39.80	1.75	42.25	N/A	37.65	27.80	4.0±0.4
2X10 W/O CLIPSLOT	46.75	1.75	49.95	24.90	37.65	N/A	2.75±0.50
2X10 W/ CLIPSLOT	46.75	1.75	49.95	N/A	37.65	27.80	2.75±0.50



B APPLIES TO 2X2 - STD. - WITH CLIPSLOT ONLY



SECTION Y-Y

SECTION Z-Z

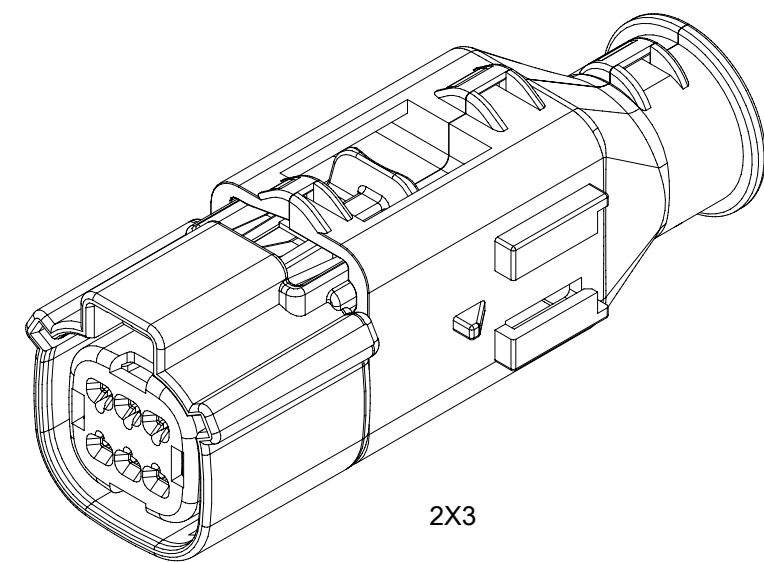
SYMBOLS THIS DRAWING CONTAINS INFORMATION THAT IS PROPRIETARY TO MOLEX ELECTRONIC TECHNOLOGIES, LLC AND SHOULD NOT BE USED WITHOUT WRITTEN PERMISSION DIMENSION UNITS: mm SCALE: 1:1 GENERAL TOLERANCES (UNLESS SPECIFIED): ANGULAR TOL: ± 1.0° 4 PLACES ± 3 PLACES ± 2 PLACES ± 0.1 1 PLACE ± 0.2 0 PLACES ± DRAFT WHERE APPLICABLE MUST REMAIN WITHIN DIMENSIONS	CURRENT REV DESC: EC NO: 171650 DRWN: DDEB 2018/01/19 CHK'D: MVANSLAMBROU 2018/02/16 APPR: MVANSLAMBROU 2018/02/16 INITIAL REVISION: DRWN: APROFFITT 2014/05/14 APPR: VKOSHY 2014/06/27		 MX150 RCPT DUAL ROW SEALED ASSEMBLY MAT SEAL PRODUCT CUSTOMER DRAWING	
	DOCUMENT NUMBER: SD-33472-0001 DOC TYPE: PSD DOC PART: 001 REVISION: C2	MATERIAL NUMBER: 33472 CUSTOMER: GENERAL MARKET SHEET NUMBER: 5 OF 11		

SHEET DESCRIPTION
BACKSHELL NOTES

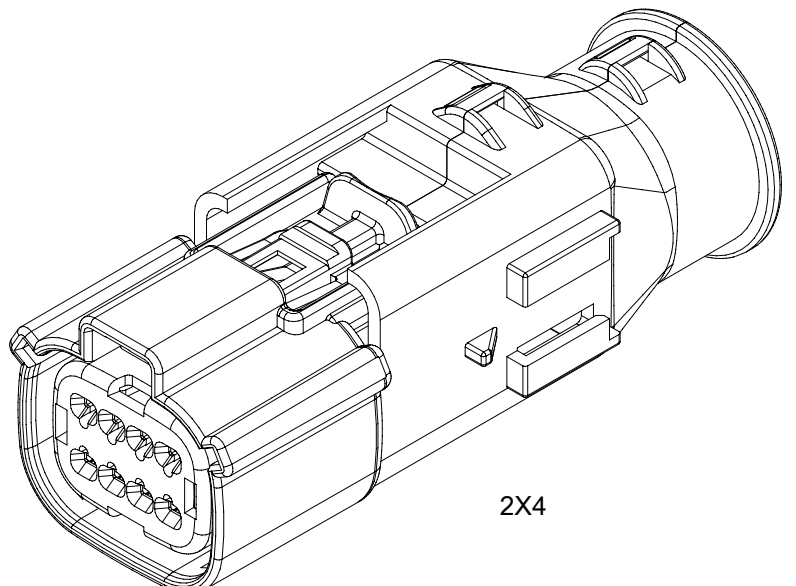
BACKSHELL NOTES: VALID UNLESS OTHERWISE SPECIFIED

1. GENERAL:

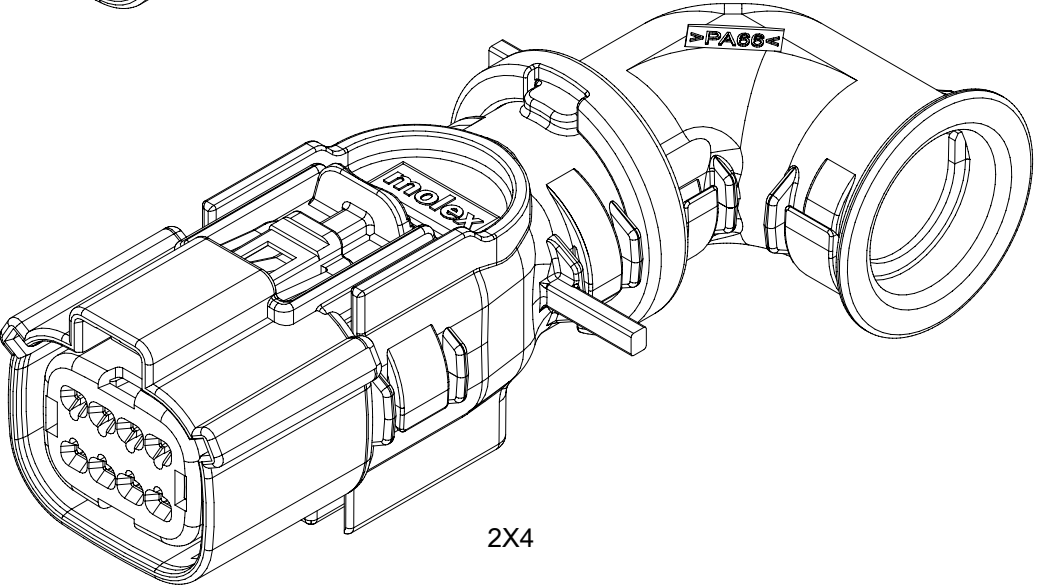
- a. APPLICATION SPECIFICATION SEE: AS-34951-001
- DESIGNED TO MATE WITH RECEPTACLE SEALED ASSEMBLY SPECIFIED IN MOLEX DRAWING SD-33472-0001.
- SYSTEM TO BE USED WITH WIRE WITHIN DIAMETER RANGE OF 1.2mm TO 2.69mm.
- COMPONENTS ARE OPTIONAL AND MUST BE PURCHASED SEPERATELY.
- DESIGN IS OWNED BY SCHLEMMER FOR SCHLEMMER BACKSHELL.
- DESIGN IS OWNED BY MOLEX FOR MOLEX BACKSHELL.
- 90° ADAPTOR DESIGN IS OWNED BY MOLEX.
- FOR ADDITIONAL INFORMATION SEE THE BACKSHELL COMPONENT DRAWING SD-34951-0001.



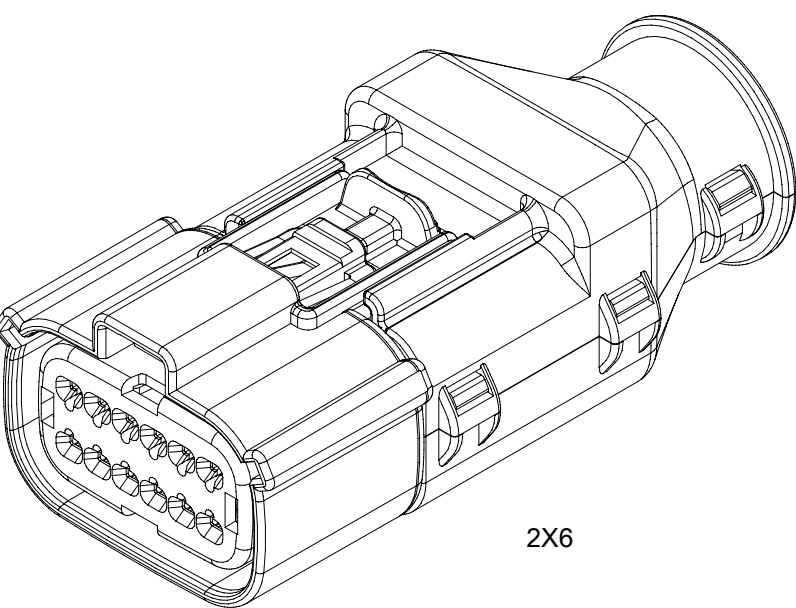
2X3



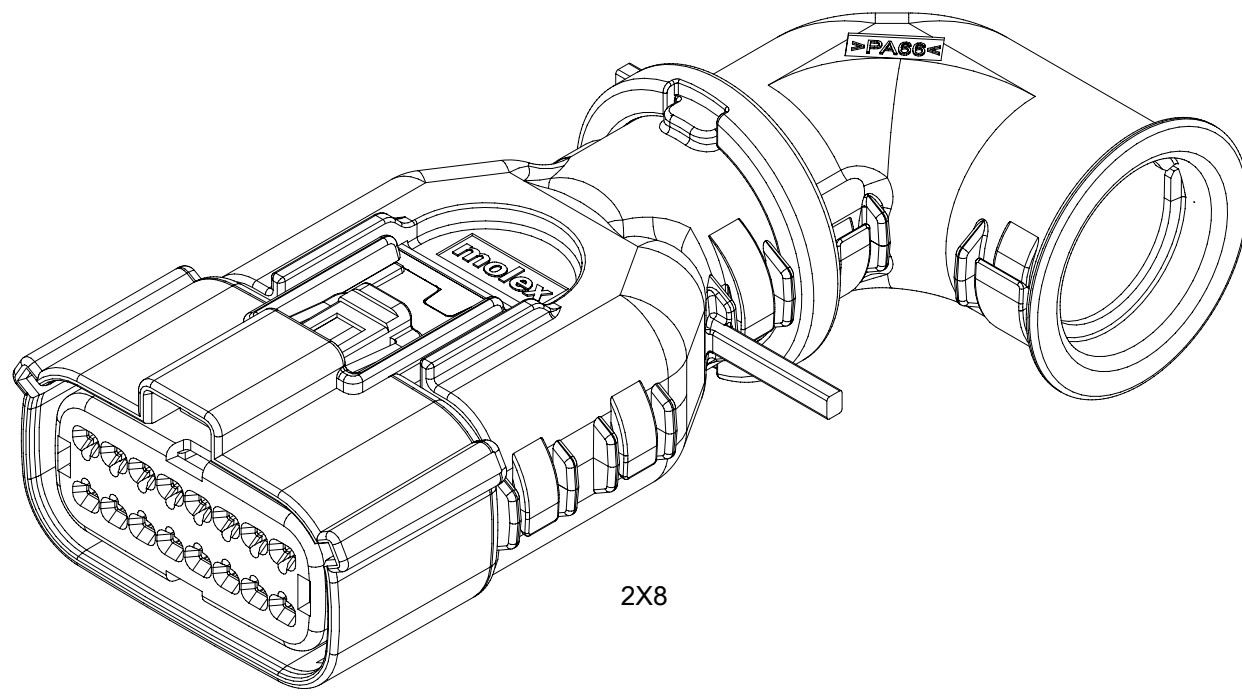
2X4



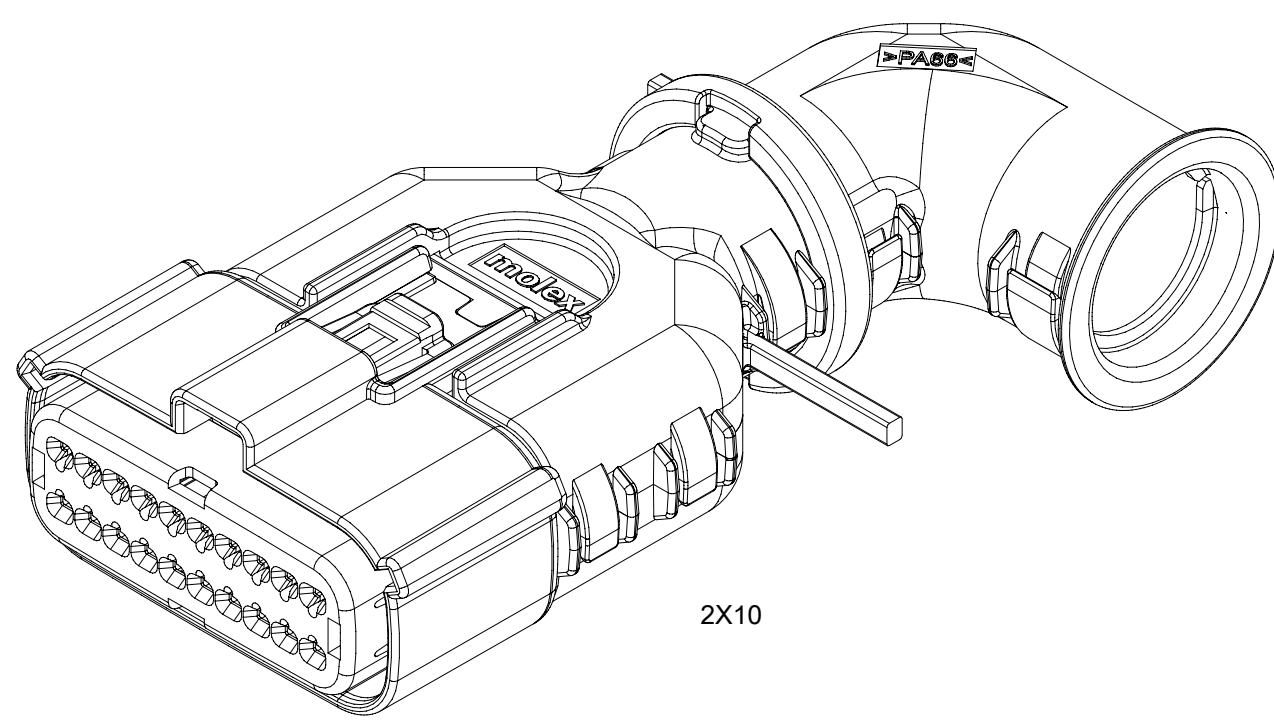
2X4



2X6



2X8



2X10

BACKSHELL CUSTOMER MODEL NUMBER LEGEND

34951-XXXX

CUSTOMER MODEL COMPONENTS

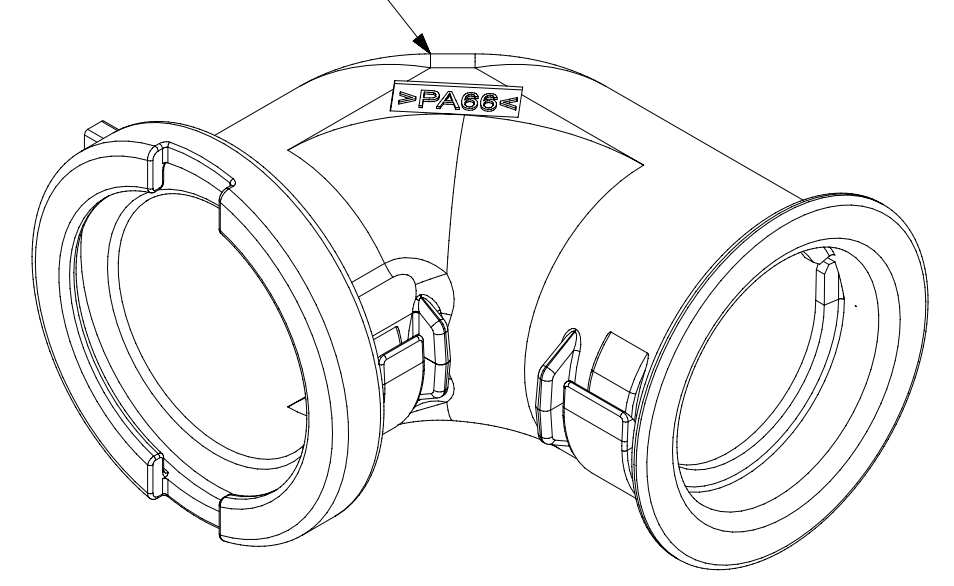
- 0 - SCHLEMMER BACKSHELL ONLY
- 1 - SCHLEMMER BACKSHELL & MX150 HOUSING KEY A ASSEMBLY
- 2 - SCHLEMMER BACKSHELL & MX150 HOUSING KEY B ASSEMBLY
- 3 - SCHLEMMER BACKSHELL & MX150 HOUSING KEY C ASSEMBLY
- 4 - SCHLEMMER BACKSHELL & MX150 HOUSING KEY D ASSEMBLY
- 5 - MOLEX BACKSHELL ONLY
- 6 - MOLEX BACKSHELL & MX150 HOUSING KEY A ASSEMBLY
- 7 - MOLEX BACKSHELL & MX150 HOUSING KEY B ASSEMBLY
- 8 - MOLEX BACKSHELL & MX150 HOUSING KEY C ASSEMBLY
- 9 - MOLEX BACKSHELL & MX150 HOUSING KEY D ASSEMBLY

BACKSHELL FEATURES

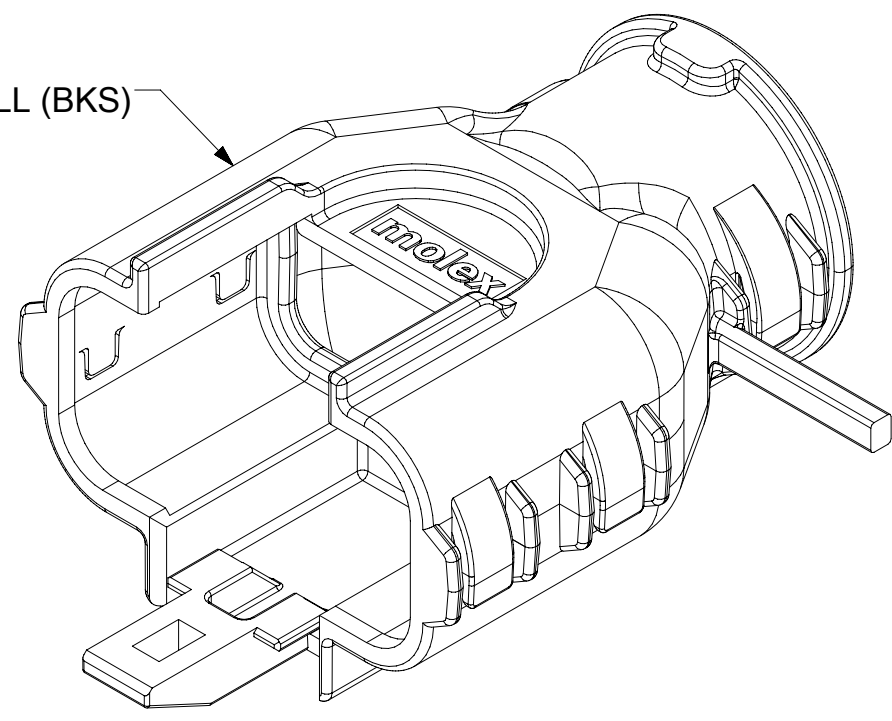
- 1 - WITH RIBS
- 2 - WITHOUT RIBS
- 3 - 90° ADAPTOR

MX150 CIRCUIT SIZE 04, 06, 08, 12, 16, 20

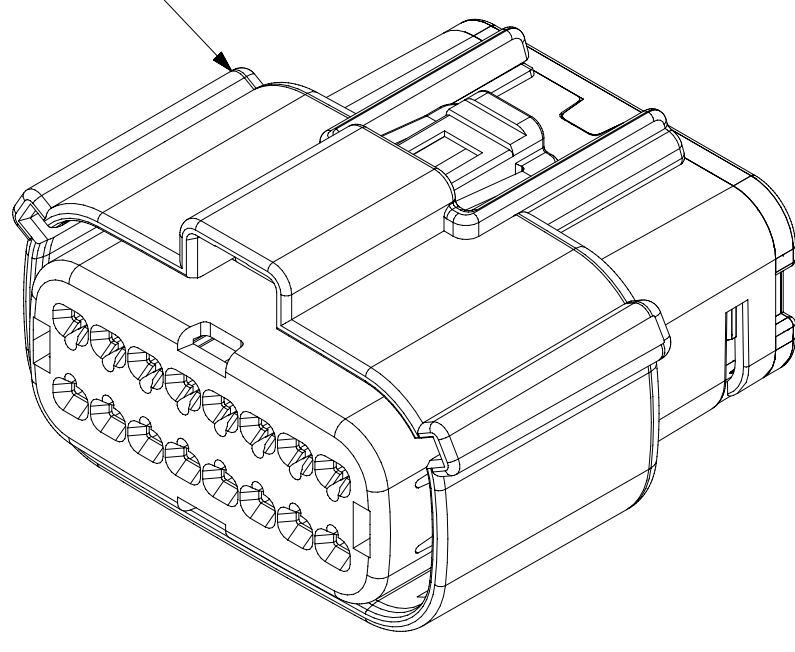
90° ADAPTOR



BACKSHELL (BKS)



RECEPTACLE SEALED ASSEMBLY

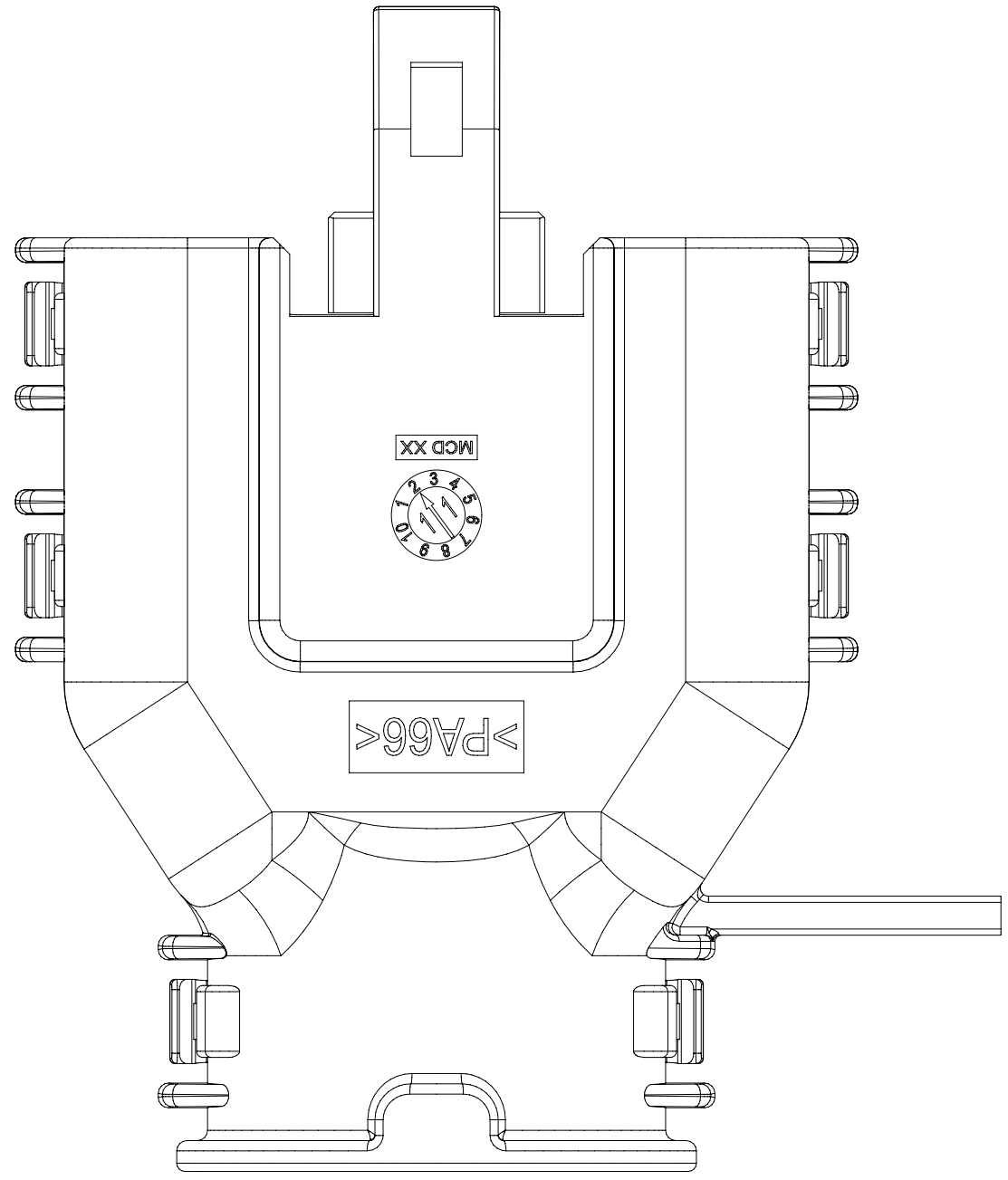
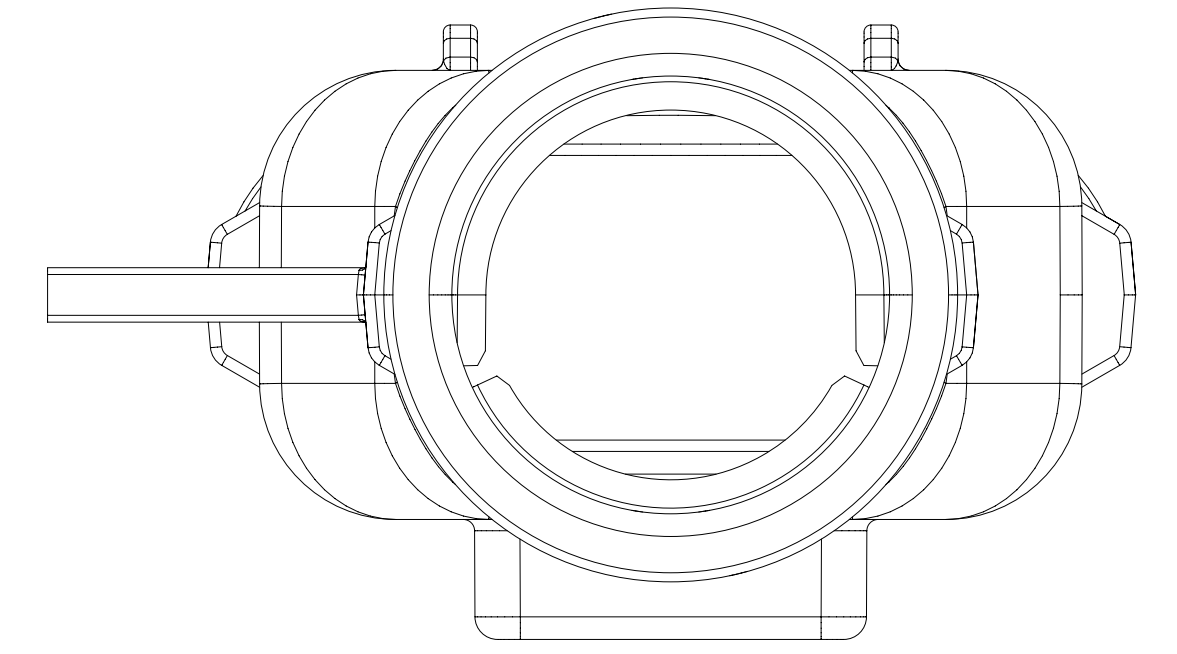
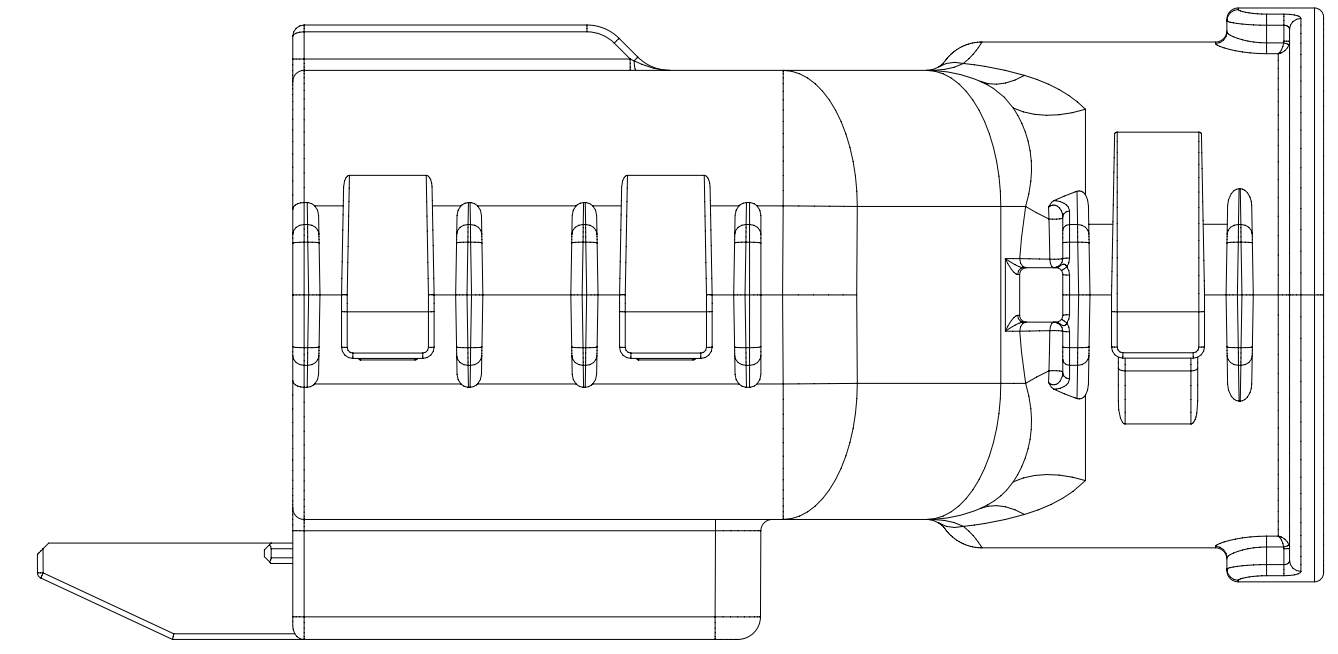
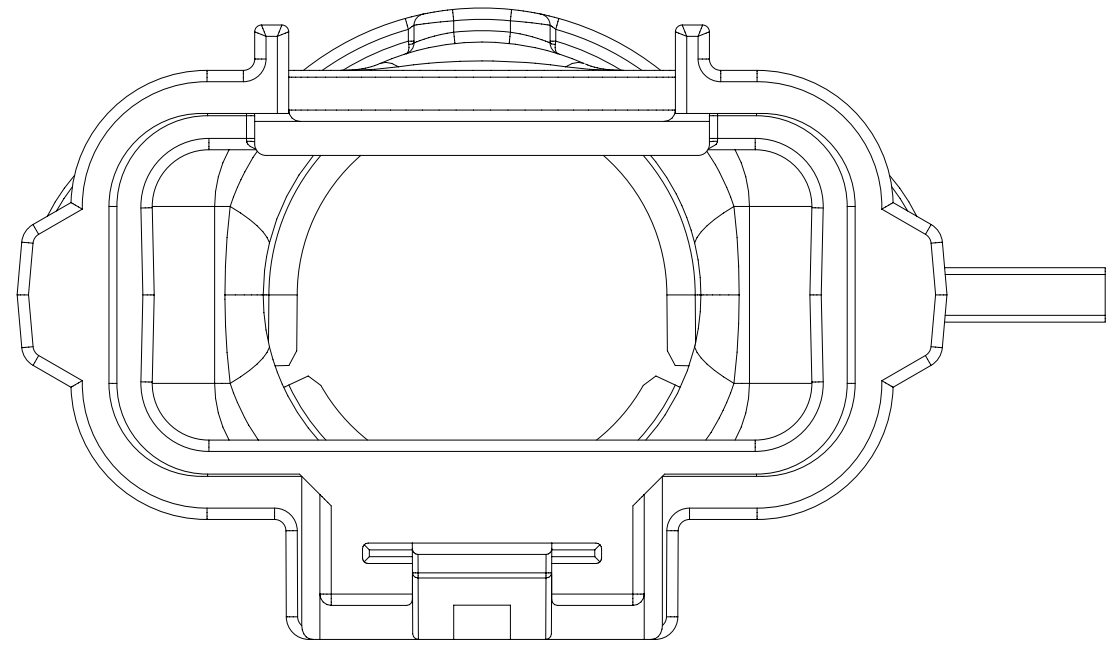
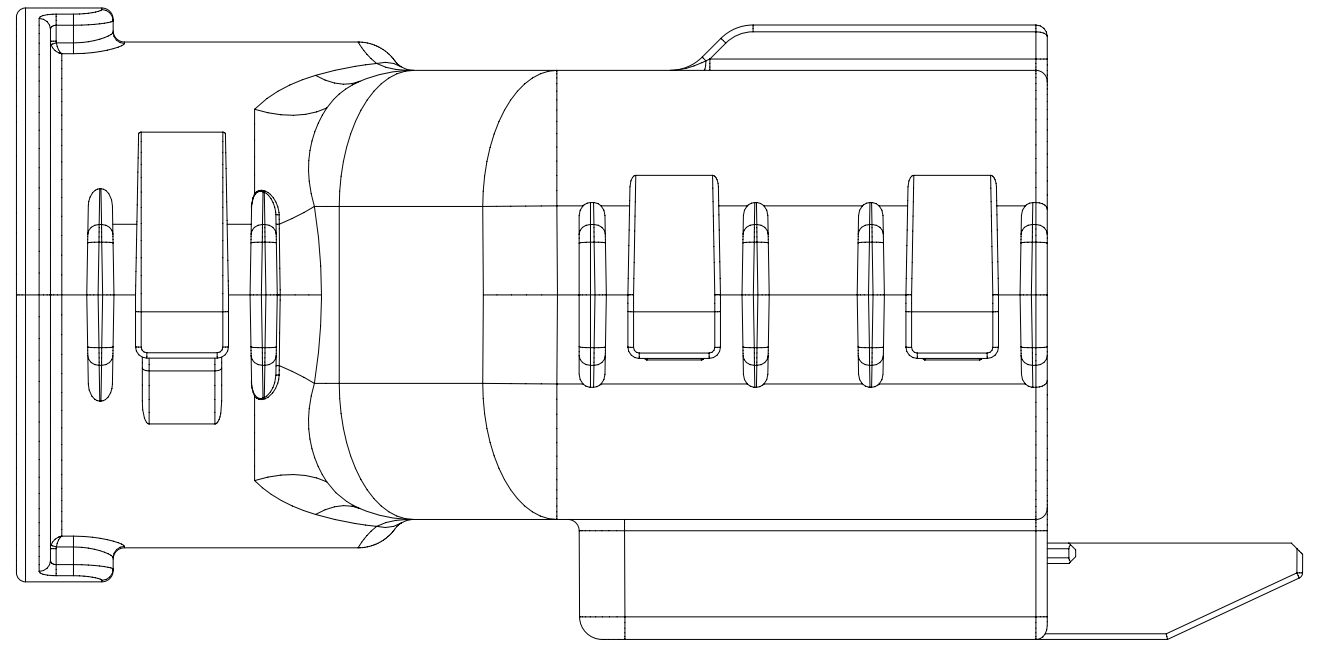


SCALE 2:1

SYMBOLS		THIS DRAWING CONTAINS INFORMATION THAT IS PROPRIETARY TO MOLEX ELECTRONIC TECHNOLOGIES, LLC AND SHOULD NOT BE USED WITHOUT WRITTEN PERMISSION		CURRENT REV DESC:		molex	
▽ = 0	DIMENSION UNITS	mm	SCALE	EC NO: 171650		MX150 RCPT	
▽ = 0		1.5:1		DRWN: DDEB 2018/01/19		DUAL ROW SEALED ASSEMBLY MAT SEAL	
▽ = 0				CHK'D: MVANSLAMBROU 2018/02/16			
▽ = 0	GENERAL TOLERANCES (UNLESS SPECIFIED)			APPR: MVANSLAMBROU 2018/02/16		PRODUCT CUSTOMER DRAWING	
▽ = 0	ANGULAR TOL ± 1.0°			INITIAL REVISION:		DOCUMENT NUMBER	
▽ = 0	4 PLACES ±			DRWN: APROFFITT 2014/05/14		SD-33472-0001	
▽ = 0	3 PLACES ±			APPR: VKOSHY 2014/06/27		DOC TYPE DOC PART REVISION	
▽ = 0	2 PLACES ± 0.1			THIRD ANGLE PROJECTION		PSD 001 C2	
▽ = 0	1 PLACE ± 0.2			DRAWING		MATERIAL NUMBER	
▽ = 0	0 PLACES ±			SERIES		CUSTOMER	
▽ = 0	DRAFT WHERE APPLICABLE MUST REMAIN WITHIN DIMENSIONS			A1-SIZE		GENERAL MARKET	
▽ = 0				33472		SHEET NUMBER	
						6 OF 11	

18 17 16 15 14 13 12 11 10 9 8 7 6 5 4 3 2 1

SHEET DESCRIPTION
MOLEX BACKSHELL



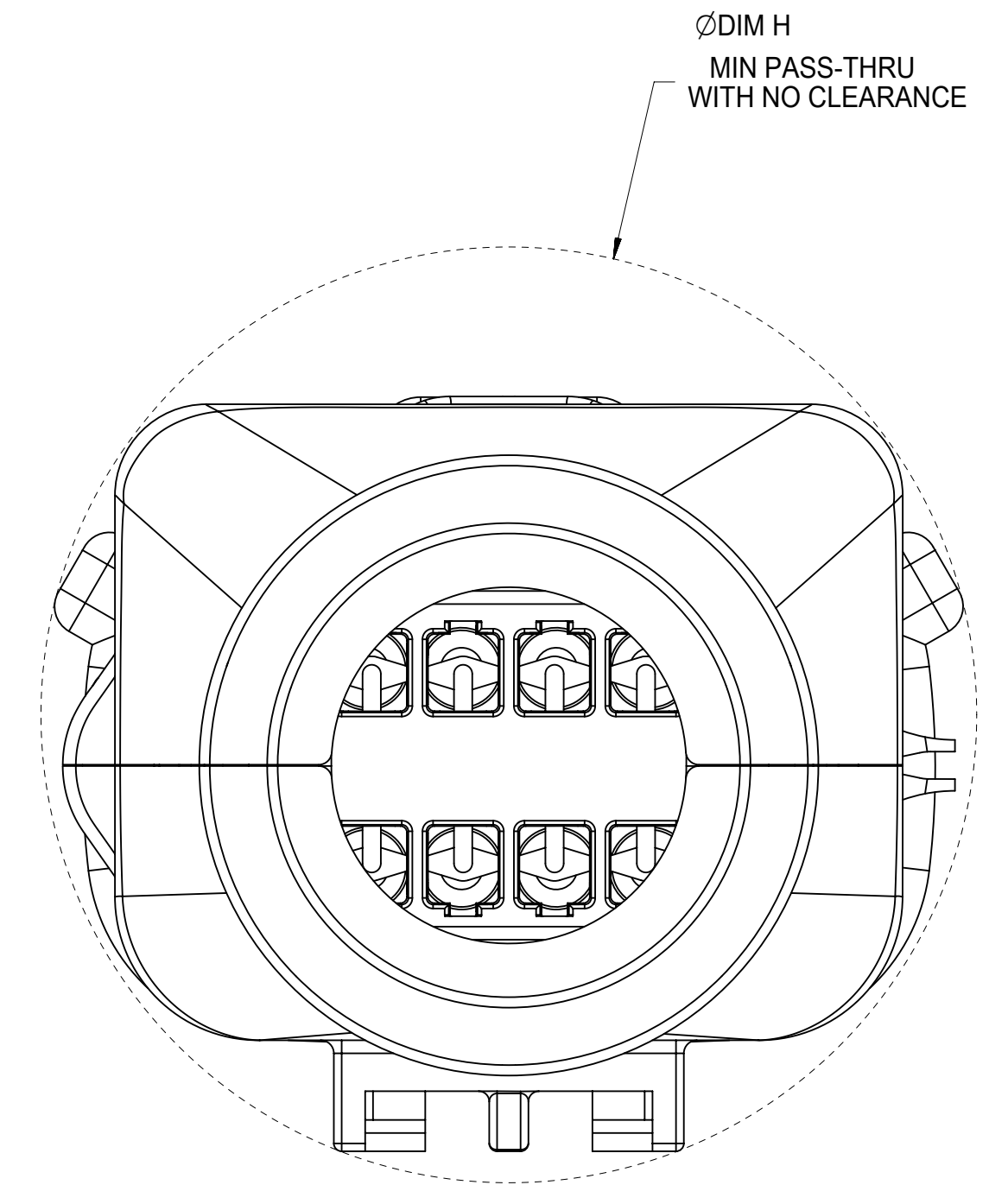
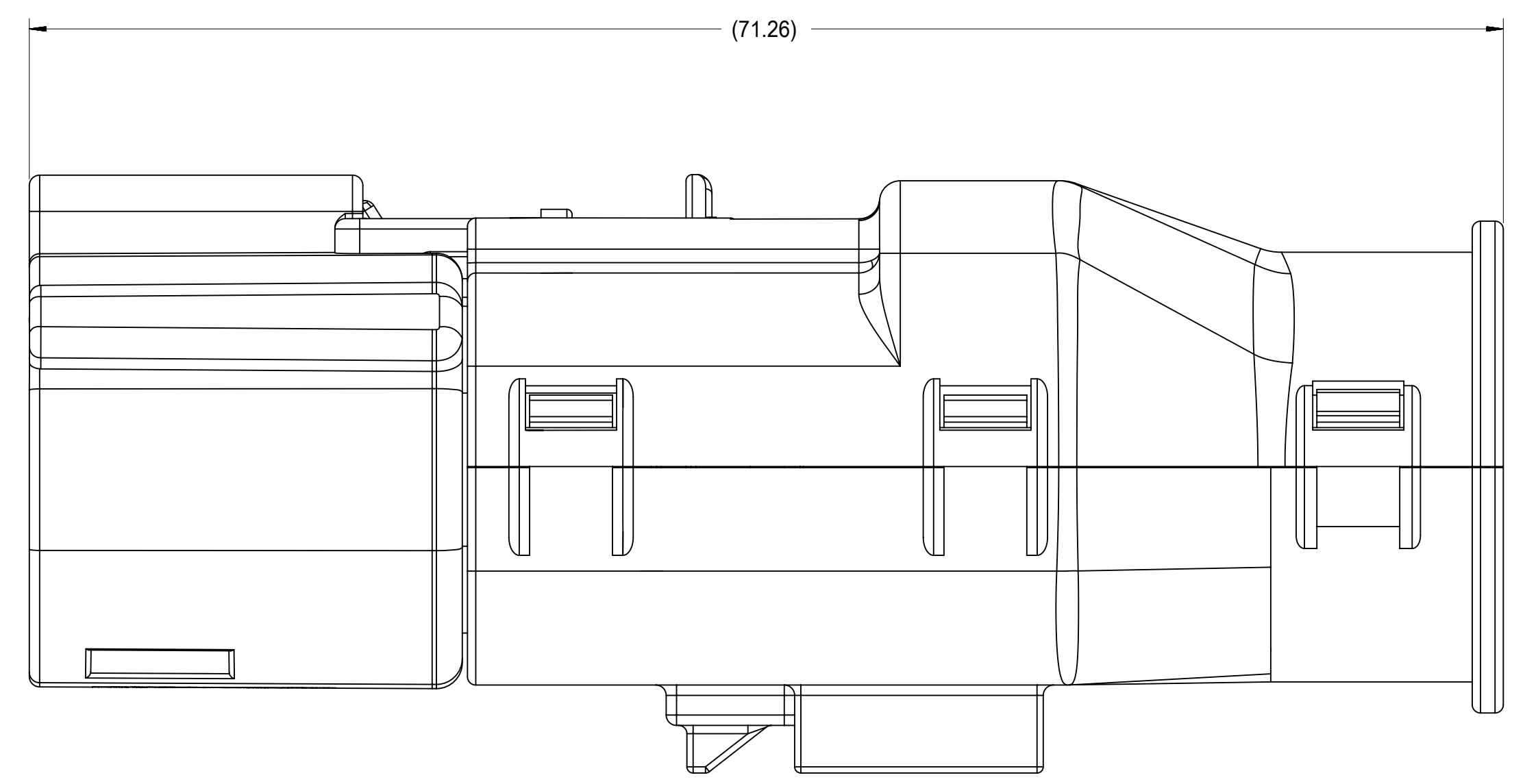
SYMBOLS = 0 = 0 = 0 = 0 = 0 = 0 = 0 = 0 = 0 = 0	THIS DRAWING CONTAINS INFORMATION THAT IS PROPRIETARY TO MOLEX ELECTRONIC TECHNOLOGIES, LLC AND SHOULD NOT BE USED WITHOUT WRITTEN PERMISSION		CURRENT REV DESC:		 MX150 RCPT DUAL ROW SEALED ASSEMBLY MAT SEAL			
	DIMENSION UNITS	SCALE	EC NO: 171650					DOCUMENT NUMBER
	mm	3:1	DRWN: DDEB 2018/01/19		SD-33472-0001	PSD	001	C2
	GENERAL TOLERANCES (UNLESS SPECIFIED)		CHK'D: MVANSLAMBROU 2018/02/16		PRODUCT CUSTOMER DRAWING			
	ANGULAR TOL ± 1.0°		APPR: MVANSLAMBROU 2018/02/16		INITIAL REVISION:			
	4 PLACES ±		DRWN: APROFFITT 2014/05/14		MATERIAL NUMBER			
	3 PLACES ±		APPR: VKOSHY 2014/06/27		CUSTOMER			
	2 PLACES ± 0.1		THIRD ANGLE PROJECTION		GENERAL MARKET			
	1 PLACE ± 0.2		DRAWING		SHEET NUMBER			
	0 PLACES ±		SERIES		8 OF 11			
DRAFT WHERE APPLICABLE MUST REMAIN WITHIN DIMENSIONS		A1-SIZE						

DOCUMENT STATUS	P1	RELEASE DATE	2018/02/16 22:02:25
-----------------	----	--------------	---------------------

18 17 16 15 14 13 12 11 10 9 8 7 6 5 4 3 2 1

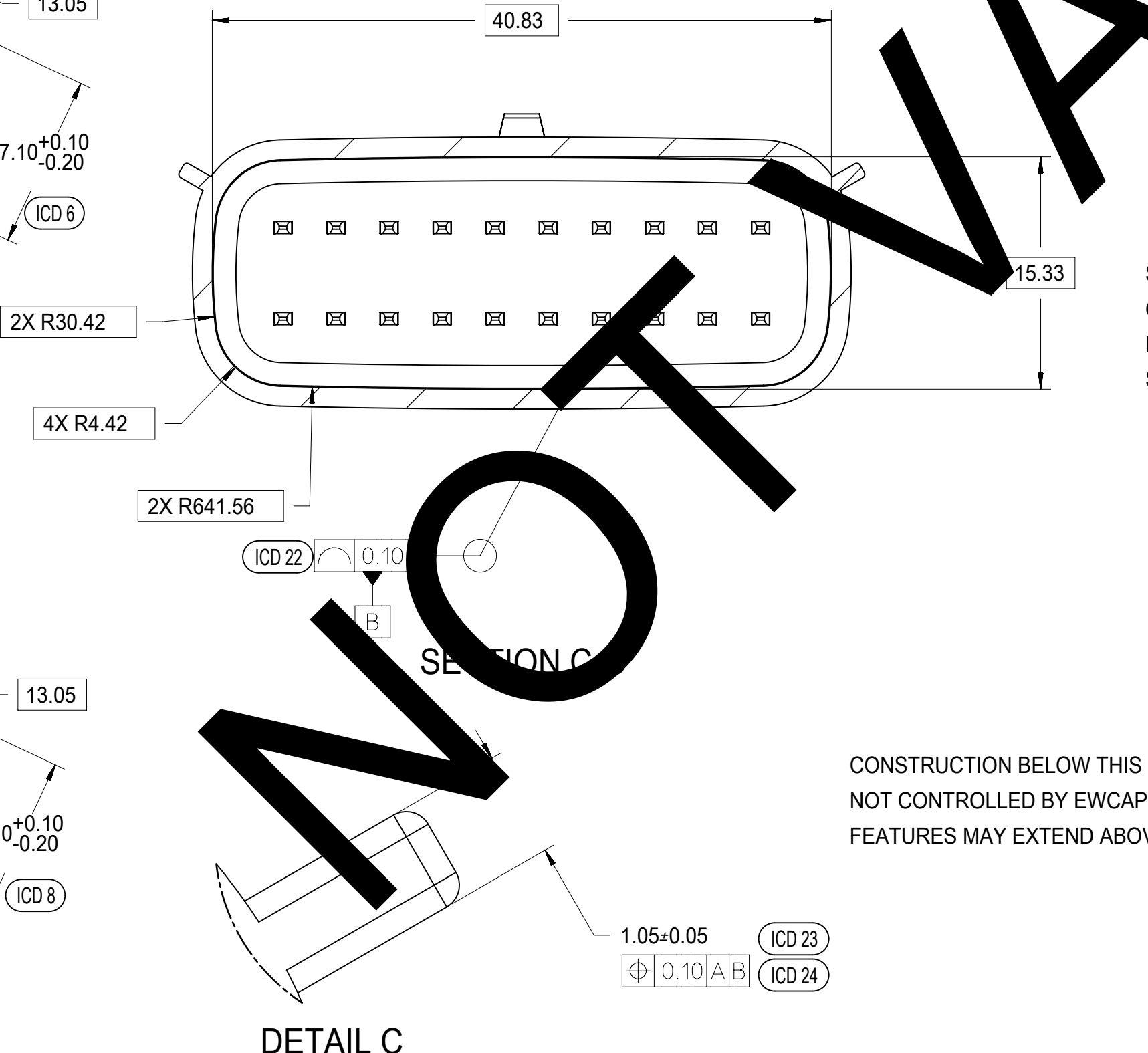
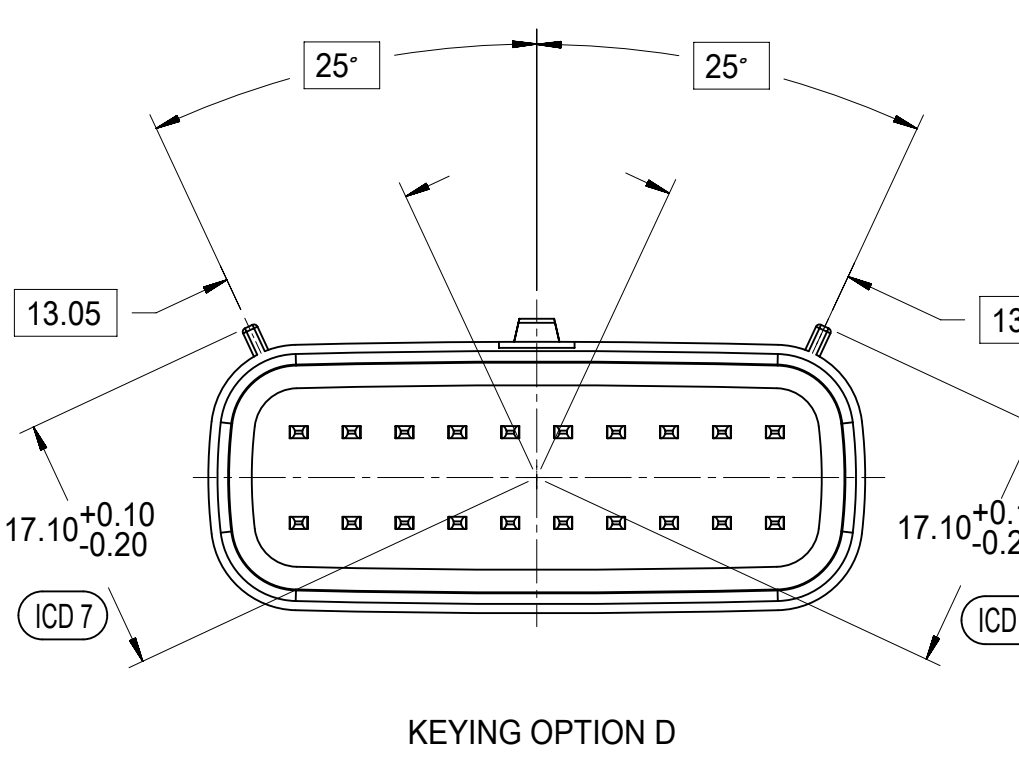
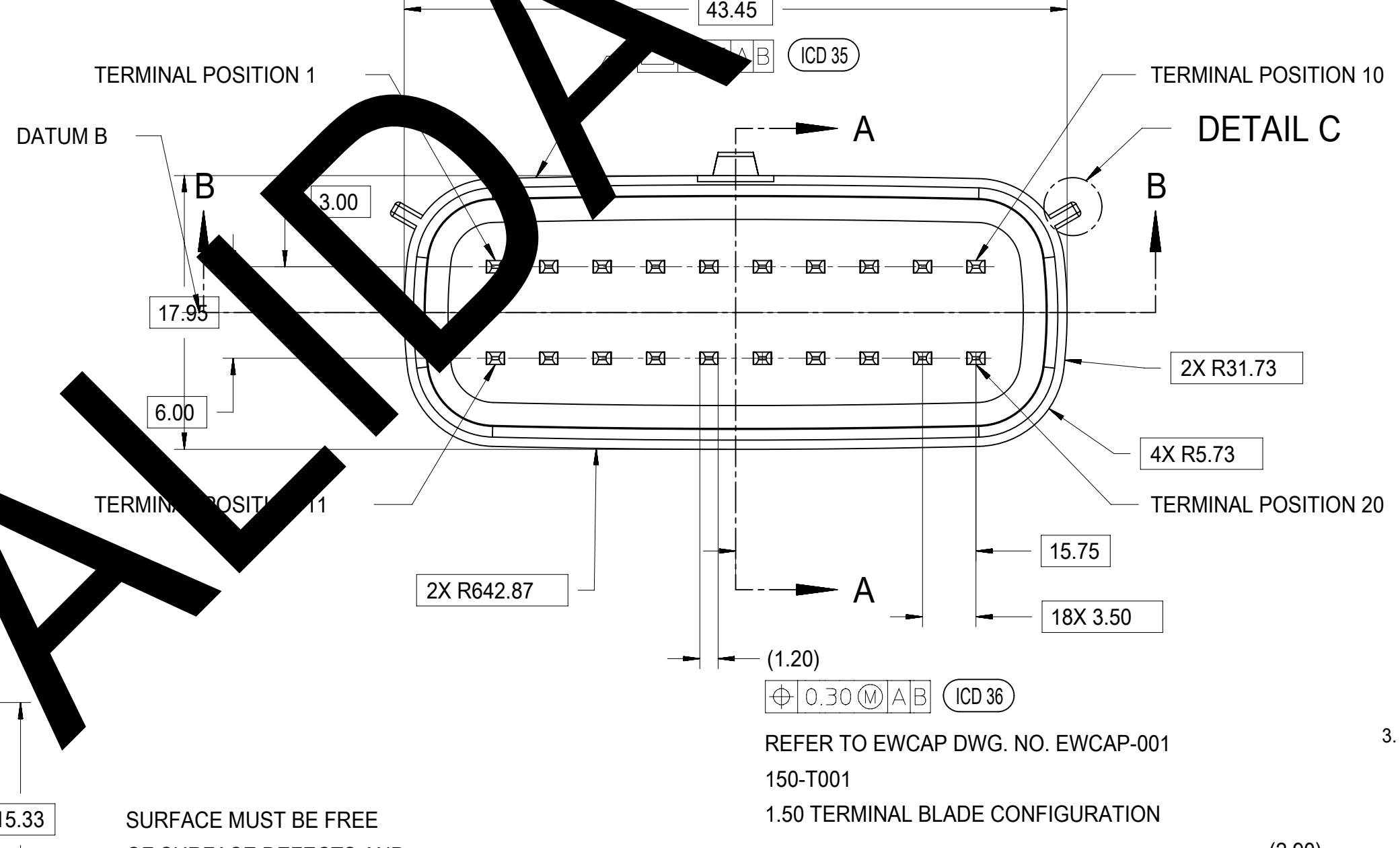
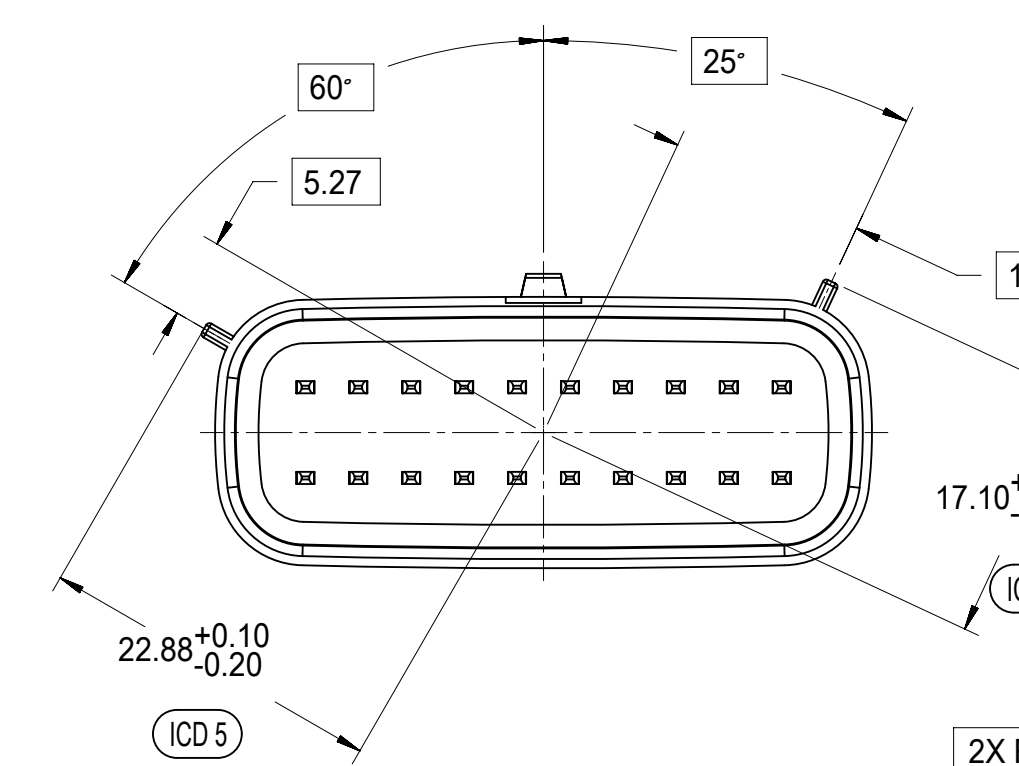
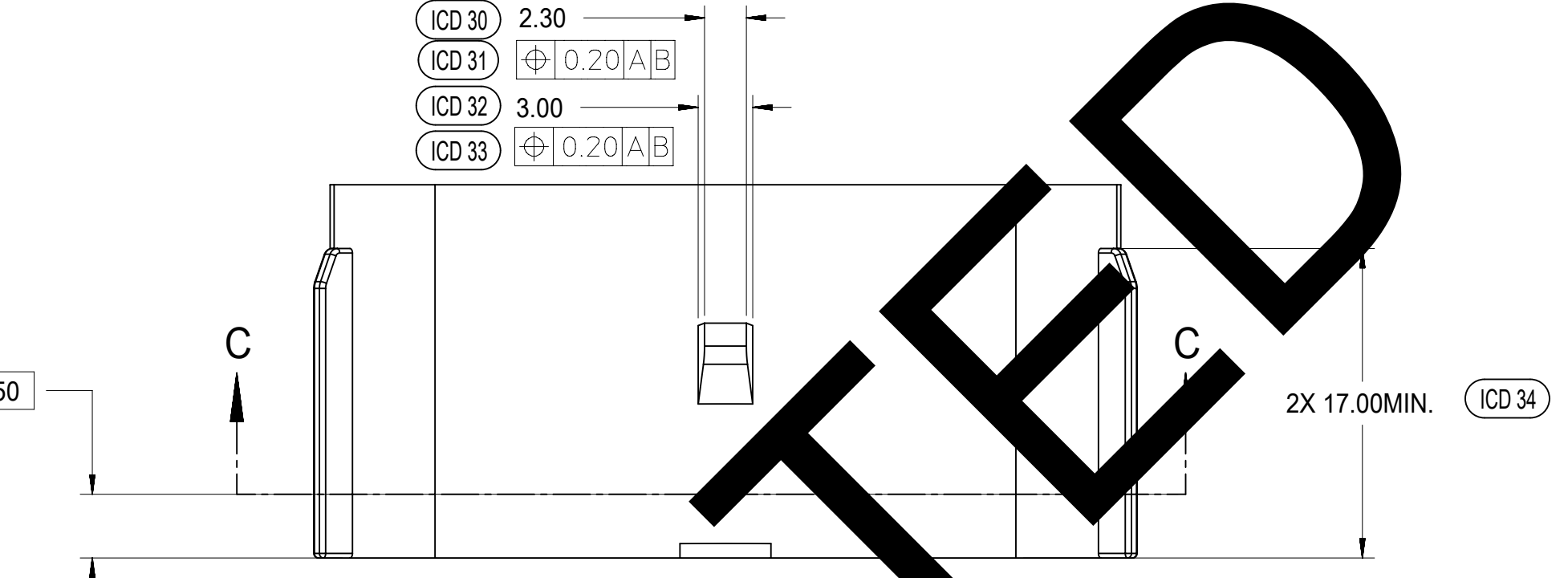
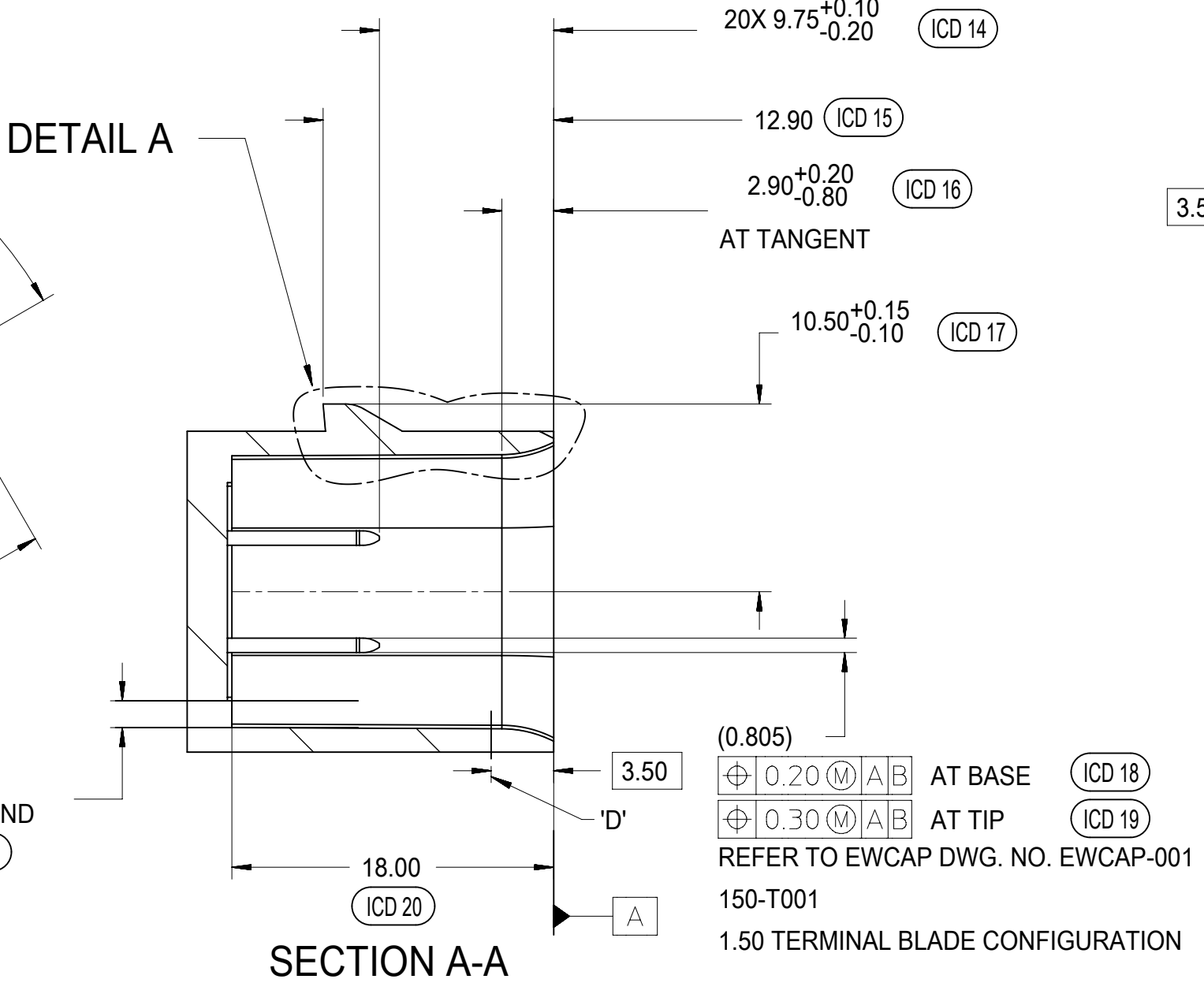
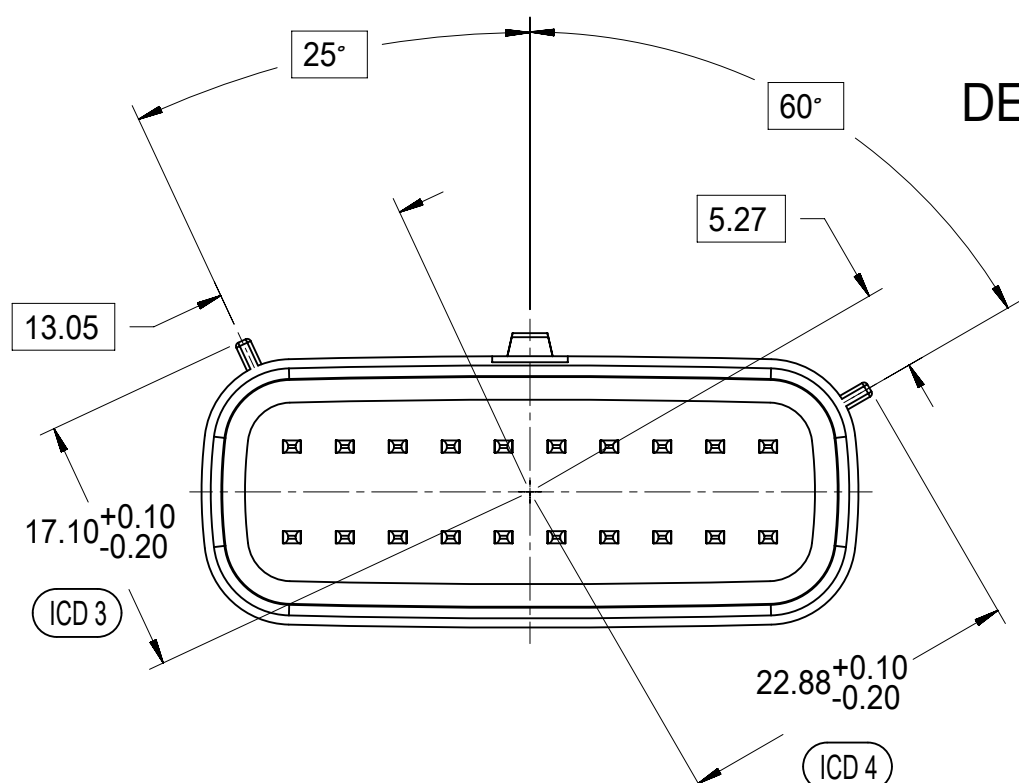
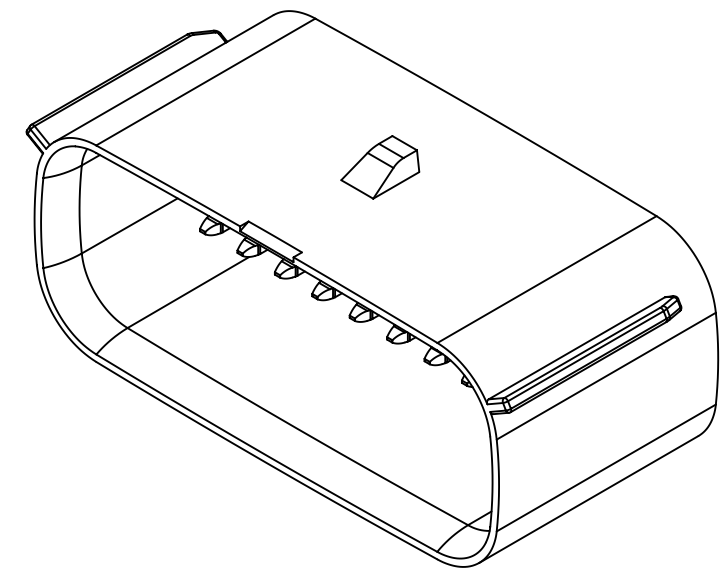
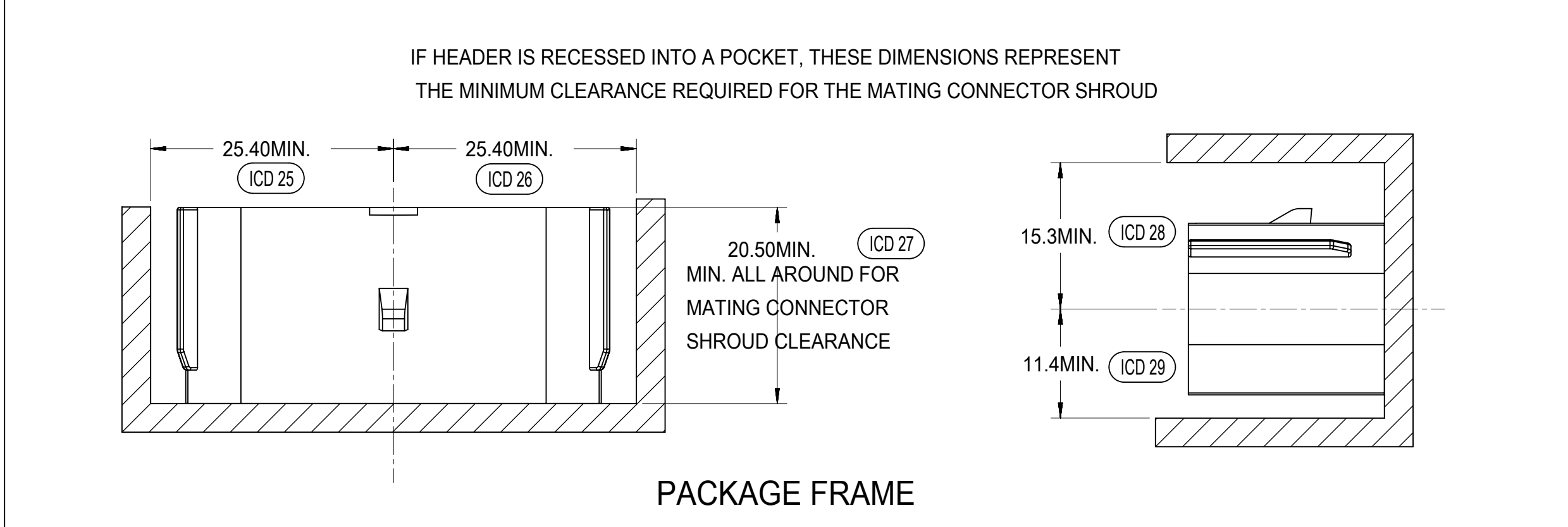
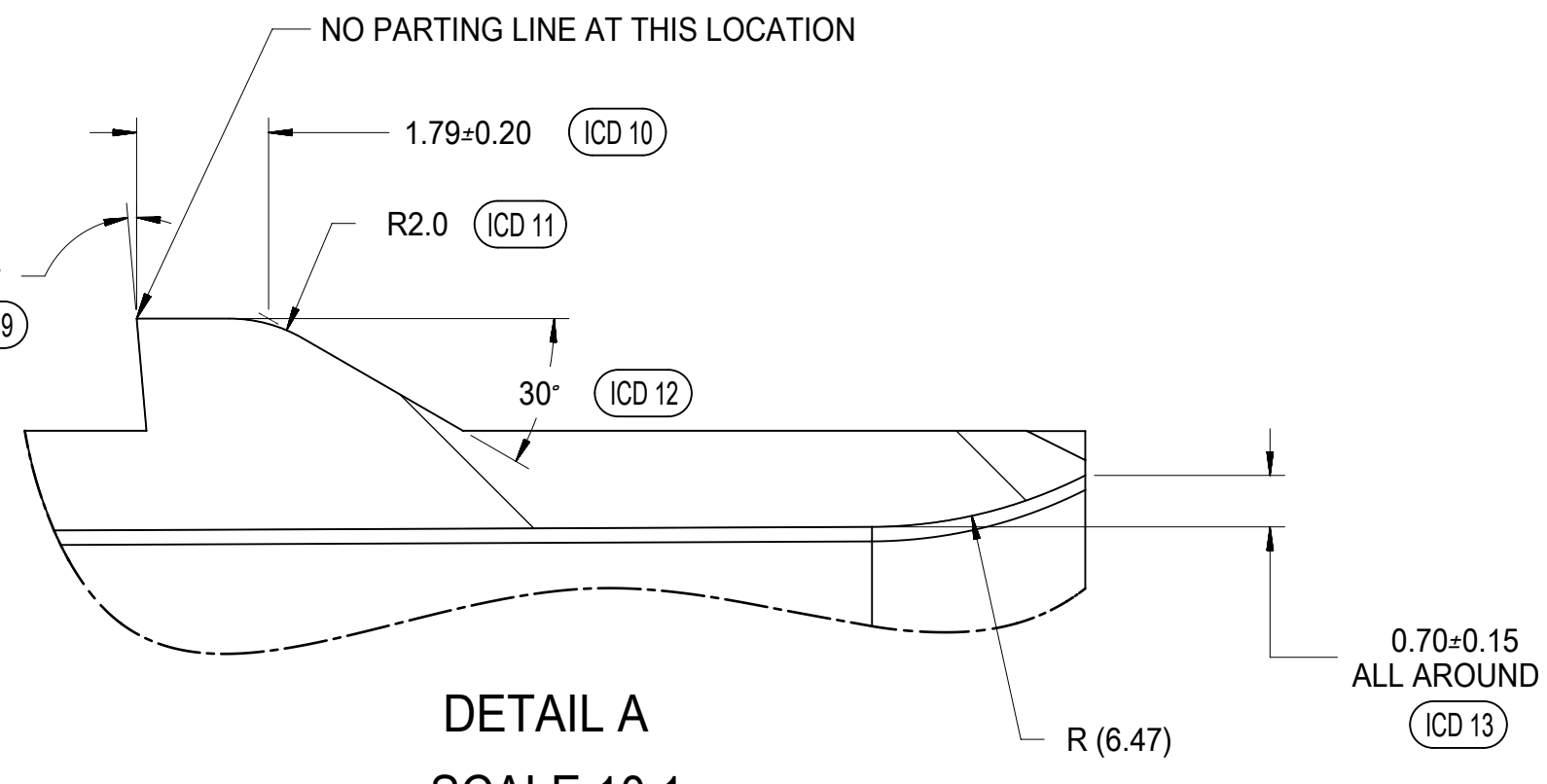
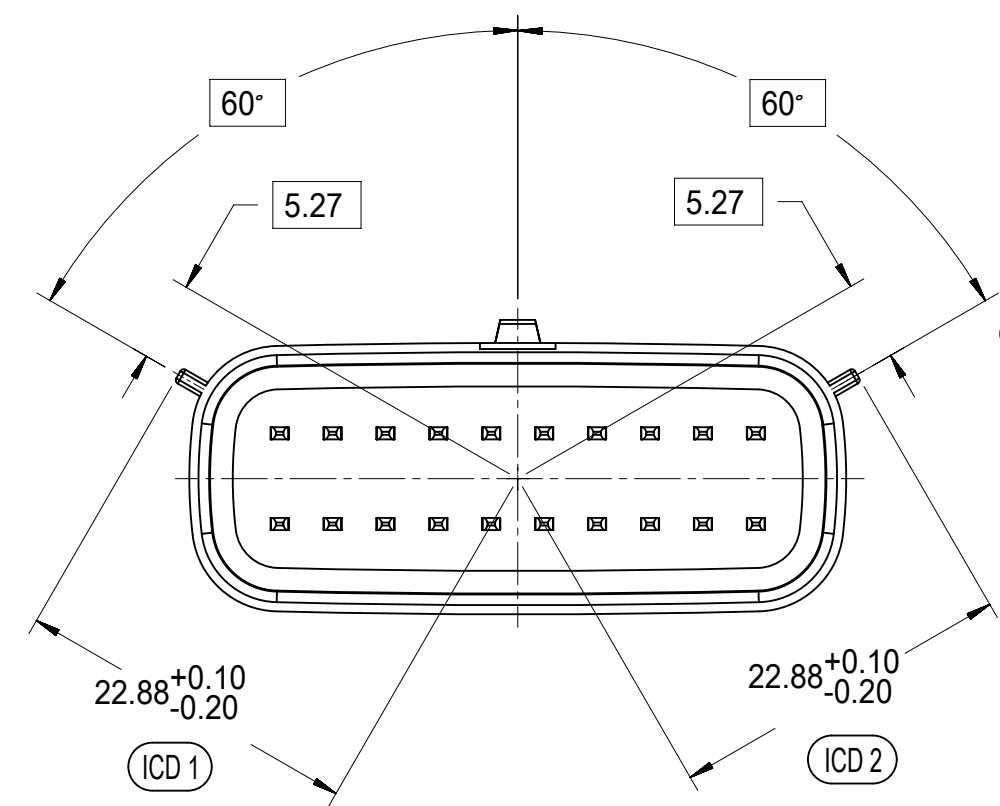
SHEET DESCRIPTION			
SCHLEMMER BACKSHELL CONFIGURATIONS			

CHARTED DIMENSIONS	
DESCRIPTION	DIMENSIONS
	H
2X3 W/ CLIPSLOT	N/A
2X3 W/O CLIPSLOT	28.50
2X4 W/ CLIPSLOT	N/A
2X4 W/O CLIPSLOT	30.75
2X6 W/ CLIPSLOT	N/A
2X6 W/O CLIPSLOT	35.83

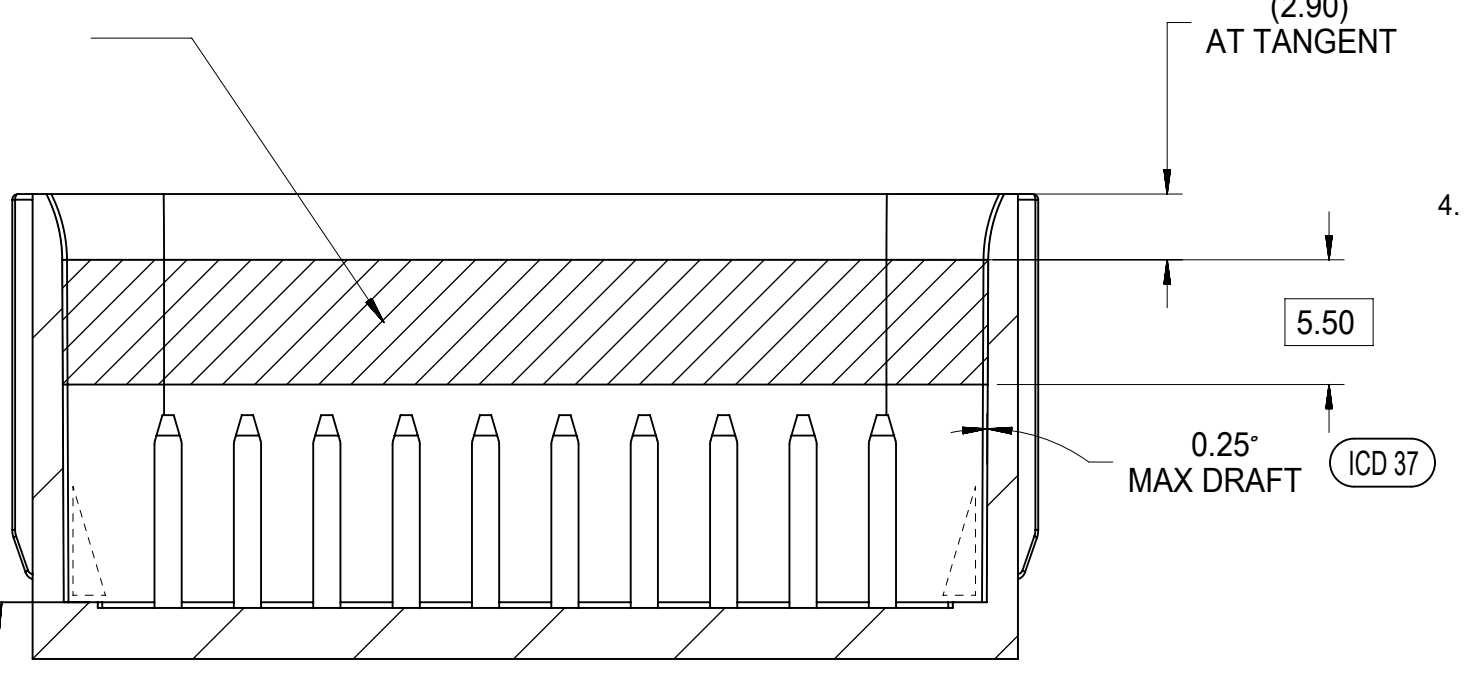


RECEPTACLE SEALED ASSEMBLY WITH RECEPTACLE BACKSHELL

QUALITY SYMBOLS FA = 0 FE = 0 FE = 0 ▼ = 0 C = 0 ☒ = 0 ■ = 0 ∇ = 0	THIS DRAWING CONTAINS INFORMATION THAT IS PROPRIETARY TO MOLEX ELECTRONIC TECHNOLOGIES, LLC AND SHOULD NOT BE USED WITHOUT WRITTEN PERMISSION										
	EC NO: 171650 DRWN: DDEB CHKD: MYANSLAMBROU APPR: MYANSLAMBROU	GENERAL TOLERANCES (UNLESS SPECIFIED) mm 4:1		DIMENSION UNITS mm SCALE 4:1							
		ANGULAR TOL ± 1.0 ° 4 PLACES ± 3 PLACES ± 2 PLACES ± 0.1 1 PLACE ± 0.2 0 PLACES ±		DRWN BY DATE 2018/02/16 2018/02/16							
	DRAFT WHERE APPLICABLE MUST REMAIN WITHIN DIMENSIONS		APROFFITT 2014/05/14		MX150 RCPT DUAL ROW SEALED ASSEMBLY MAT SEAL						
C2		A1		THIRD ANGLE PROJECTION		PRODUCT CUSTOMER DRAWING					
SERIES 33472		MATERIAL NUMBER		CUSTOMER GENERAL MARKET							
DOCUMENT NUMBER SD-33472-0001		DOC TYPE PSD		DOC PART 001		SHEET NUMBER 9 OF 11					



SURFACE MUST BE FREE OF SURFACE DEFECTS AND PARTING LINES FOR SEALING ALL AROUND



SECTION B-B

CONSTRUCTION BELOW THIS SURFACE IS NOT CONTROLLED BY EWCAP. NO PLASTIC FEATURES MAY EXTEND ABOVE THIS SURFACE.

MATING INTERFACE NOTES: VALID UNLESS OTHERWISE SPECIFIED

- GENERAL:
 - DESIGNED TO MATE WITH MOLEX CONNECTOR 33472-2XXX & 160008-0XXX & 160074-0XXX. A FULL SHROUD ON THE MATING CONNECTOR IS REQUIRED TO INSURE THAT THE CONNECTOR-HEADER POLARIZATION FEATURES (OPTIONS A THRU D) WILL FUNCTION. THE FULL SHROUD ALSO PREVENTS SCOOP DAMAGE TO THE HEADER PINS. REFER TO 'SAE/USCAR-12 CONNECTOR DESIGN GUIDE LINES' FOR ADDITIONAL INFORMATION.
 - PARTS MUST BE IN COMPLIANCE TO MOLEX CHEMICAL SUBSTANCES FOR PRODUCTS AND PACKAGING SPECIFICATION: ES-40000-5016
 - FLAMMABILITY REQUIREMENT: PER ISO3795 OR GM3191
 - BURN RATE 100mm/MIN MAXIMUM
 - MATERIAL MUST BE SELF EXTINGUISHING
- MATERIALS:
 - MATERIAL: SPS/NYLON GF20, REGRIND 20% MAX BY WEIGHT
 - STANDARD COLORS FOR POLARIZATION (SEE KEYING OPTIONS TABLE). DEVIATION REQUIRES APPROVAL OF AUTHORIZED PERSON
 - FOR BLADE BASE MATERIAL, PLATING AND PROCESS LUBRICANT:
 - TIN: - BASE MATERIAL: COPPER ALLOY, CONDUCTIVITY >=60% IACS AT 20°C; TENSILE STRENGTH >= 410 N/mm² P - BARRIER MATERIAL: NICKEL DEPOSIT FROM NICKEL SULFAMATE PLATING SOLUTION W/O ANY ADDITIVES THICKNESS: 1.25 - 2.25 MICROMETERS - TOP LAYER: 100% ELECTRO-DEPOSITED TIN, MATTE FINISH THICKNESS: 2.5 - 4.0 MICROMETERS
 - SILVER: - BARRIER MATERIAL: ELECTRO-DEPOSITED DUCTILE SULPHAMATE NICKEL THICKNESS: 1.25 - 2.25 MICROMETERS - TOP LAYER: ELECTRO-DEPOSITED SEMI-BRIGHT PURE SILVER (0.5% MAX IMPURITIES) OVER NICKEL ANTI-TARNISH TREATMENT EVERBRIGHT WS THICKNESS: 1.9 - 3.3 MICROMETERS
 - BLADES MUST CONFORM TO ES-40000-5007, EXCEPT FOR SPECULAR REFLECTIVITY - SECTION 6.0
 - ANY PROCESS LUBRICANT REMAINING ON THE TERMINAL MUST NOT VARNISH OR DEGRADE IT'S ELECTRICAL PERFORMANCE UP TO A MAXIMUM CLASS AMBIENT TEMPERATURE PER SAE USCAR-2 FOR 1008 HOURS, PROCESS LUBRICANTS SHOULD BE APPROVED BY THE RESPONSIBLE ENGINEER.
 - INFORMATION FOR BLADE DESIGN WAS DEVELOPED FROM EWCAP DWG: EWCAP-001
- GEOMETRY:
 - THIS IS A 100% CAD GENERATED PART. THE CAD MATHEMATICAL DATA IS THE MASTER FOR THIS PART. FOR DIMENSIONAL OR ANY INFORMATION NOT SHOWN ON THIS DRAWING, ANALYZE THE CAD MODEL.
 - GEOMETRIC DIMENSIONS AND TOLERANCES PER ASME Y14.5M - 1994
 - GENERAL TOLERANCES: SEE TITLE BLOCK
 - EDGES AND UNDIMENSIONED DETAILS PER ISO13715
- MANUFACTURING:
 - DRAFT TO BE WITHIN TOLERANCE. PLUS DRAFT - INDICATES A DIMENSION REPRESENTS THE SMALLEST SIZE OF A FEATURE. DRAFT WILL ADD MATERIAL. MINUS DRAFT - INDICATES A DIMENSION REPRESENTS THE LARGEST SIZE OF A FEATURE. DRAFT WILL REMOVE MATERIAL.
 - ALLOWABLE FLASH MAX 0.20 HIGH BY MAX 0.13 THICK.
 - ALLOWABLE SPLIT/PARTING LINE MISMATCH 0.2 MAX.
 - VISUAL DEFECTS SHALL MEET COSMETIC STANDARD PS-45499-002 (Class B)
 - NO EXTERNAL MOLD RELEASE AGENT ALLOWED DURING MANUFACTURING
 - NO PARTING LINES, NO DRAFT, MISMATCHES OR EJECTOR MARKS PERMISSIBLE WITHIN SEALING SURFACE. SEALING SURFACE TOOLING TO BE PROCESSED TO SURFACE FINISH OF NITRA #700 PAPER MINIMUM.

150-S-020-2-D02	D	STONE GRAY
150-S-020-2-C02	C	DK GRAY
150-S-020-2-B02	B	LT GRAY
150-S-020-2-A02	A	BLACK
PIN	OPTION	MATING CONNECTOR COLOR

DETAIL C SCALE 20:1 APPLIES 2X SEE KEYING OPTION VIEWS FOR POSITIONS

SYMBOLS	DIMENSION UNITS	SCALE
▽ = 0	mm	1:1
▽ = 0	GENERAL TOLERANCES (UNLESS SPECIFIED)	
▽ = 0	ANGULAR TOL ± 1.0°	
▽ = 0	4 PLACES ±	
▽ = 0	3 PLACES ±	
▽ = 0	2 PLACES ±	0.1
▽ = 0	1 PLACE ±	0.2
▽ = 0	0 PLACES ±	
▽ = 0	DRAFT WHERE APPLICABLE MUST REMAIN WITHIN DIMENSIONS	

THIS DRAWING CONTAINS INFORMATION THAT IS PROPRIETARY TO MOLEX ELECTRONIC TECHNOLOGIES, LLC AND SHOULD NOT BE USED WITHOUT WRITTEN PERMISSION	
CURRENT REV DESC:	
EC NO: 171650	2018/01/19
DRWN: DDEB	2018/02/16
CHK'D: MVANSLAMBROU	2018/02/16
APPR: MVANSLAMBROU	2018/02/16
INITIAL REVISION:	
DRWN: APROFFITT	2014/05/14
APPR: VKOSHY	2014/06/27
THIRD ANGLE PROJECTION	DRAWING
A1-SIZE	SERIES
33472	

molex			
MX150 RCPT DUAL ROW SEALED ASSEMBLY MAT SEAL			
PRODUCT CUSTOMER DRAWING			
DOCUMENT NUMBER	DOC TYPE	DOC PART	REVISION
SD-33472-0001	PSD	001	C2
MATERIAL NUMBER	CUSTOMER	SHEET NUMBER	
	GENERAL MARKET	11 OF 11	

DOCUMENT STATUS	P1	RELEASE DATE	2018/02/16	22:02:25
-----------------	----	--------------	------------	----------

TABLE OF CONTENTS	
SHEET NO.	SHEET DESCRIPTION
1	NOTES AND BOM
2	CONFIGURATIONS
3-4	KEY CONFIGURATIONS
5	BLADE SEALED ASSEMBLY
6	SYSTEM PACKAGING
7	BACKSHELL NOTES
8	BACKSHELL
9	BACKSHELL CONFIGURATIONS

NOTES: VALID UNLESS OTHERWISE SPECIFIED

1. GENERAL:
a. APPLICATION SPECIFICATION SEE: AS-33472-100
-CONTAINS: PRODUCT INTRODUCTION, PRODUCT SUMMARY, CONNECTOR ASSEMBLY, PACKAGING INFORMATION, CONNECTOR MATING, SERVICE INSTRUCTIONS, ELECTRICAL CONTINUITY CHECKING, CRIMPING, AND TROUBLESHOOTING.
-DESIGNED TO MATE WITH RECEPTACLE SEALED ASSEMBLY AS SPECIFIED IN THE MATING CONNECTOR DRAWINGS CHART.
*DENOTES DRAWINGS THAT CAN BE ACCESSED AT <http://ewcap.uscarteams.org/>.
-ASSEMBLY SHIPPED WITH PLR IN PRE-LOCK POSITION (SEE PLR PRE-LOCK VIEW SHEET 5).

b. PRODUCT SPECIFICATION SEE:
-STANDARD CONFIGURATION: PS-33472-000
-UL V0 CONFIGURATION: TBD
CONTAINS: PRODUCT INTRODUCTION, PRODUCT SUMMARY, RATINGS (CURRENT, TEMPERATURE, SEALING, AND FLAMMABILITY), TERMINALS, WIRE DIAMETER RANGE, PRODUCT VALIDATION, AND PRODUCT DEVIATIONS.

c. PACKAGING SPECIFICATION PER MOLEX DRAWING: PK-31300-635

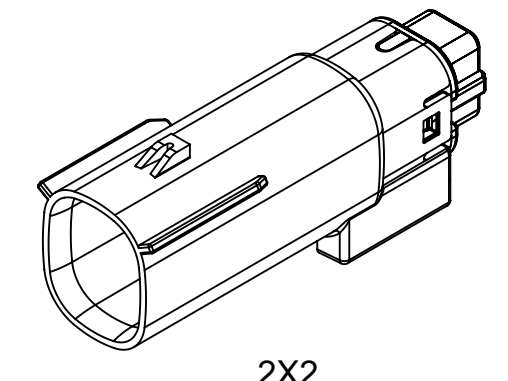
d. PARTS MUST BE IN COMPLIANCE TO MOLEX CHEMICAL SUBSTANCES FOR PRODUCTS AND PACKAGING SPECIFICATION: QEHS-699000-300

e. DATA MUST BE SUBMITTED UNDER THE MOLEX PART NUMBER TO IMDS (COMPANY ID#13255)

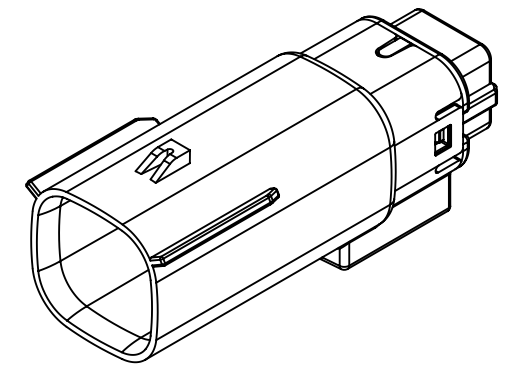
2. DESIGN - MATERIALS:
a. FOR BILL OF MATERIALS SEE:
-STANDARD CONFIGURATION: SD-33482-0002
-UL V0 CONFIGURATION: SD-160084-0002

3. DESIGN - GEOMETRY:
a. THE 3-D CAD DATA IS BASIC (WITHOUT TOLERANCE) AND MASTER FOR THIS PART WITH THE EXCEPTION OF UNDERLINED DIMENSIONS. DIMENSIONAL INFORMATION NOT SHOWN ON THIS DRAWING IS DEFINED BY THE DATA FILE AT ITS LATEST REVISION.
b. GEOMETRIC DIMENSIONS AND TOLERANCES PER ASME Y14.5M-2009
c. EDGES AND UNDIMENSIONED DETAILS PER ISO13715
d. CORNERS SHOWN AS SHARP TO BE R 0.2 MAX.
e. LETTERING SHALL BE 0.15 MAX RAISED IN 0.25 MAX RECESS PAD. THIS INCLUDES RECYCLING CODE, CAVITY ID, VENDOR IDENTIFICATION, AND CUSTOMER MATERIAL NUMBER.
f. VISUAL DEFECTS SHALL MEET COSMETIC STANDARD PS-45499-002 (Class B).
g. LASER MARKING:
1. PART NUMBER
2. DAY OF THE YEAR
3. SHIFT
4. YEAR
FOR ADDITIONAL INFORMATION SEE SECTION 5 UNDER PROCEDURES IN ES-34735-008.

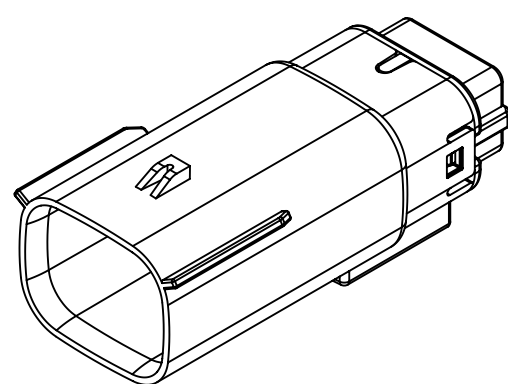
MATING CONNECTOR DRAWINGS	
DESCRIPTION	MOLEX INLINE
2X2	SD-33472-0001
2X3	SD-33472-0001
2X4	SD-33472-0001
2X6	SD-33472-0001
2X8	SD-33472-0001
2X10	SD-33472-0001



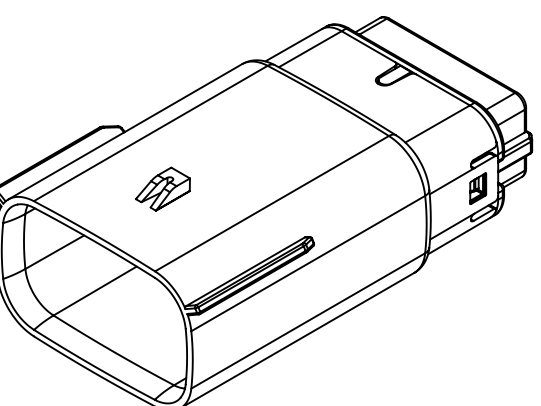
2X2



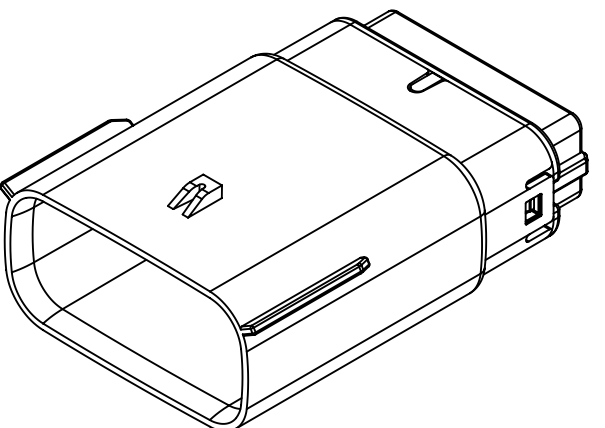
2X3



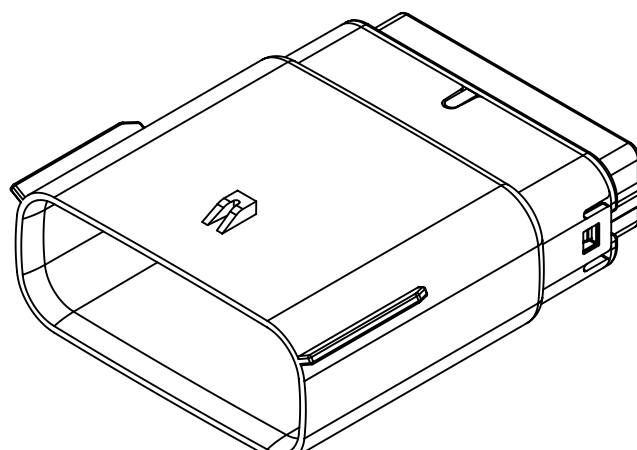
2X4



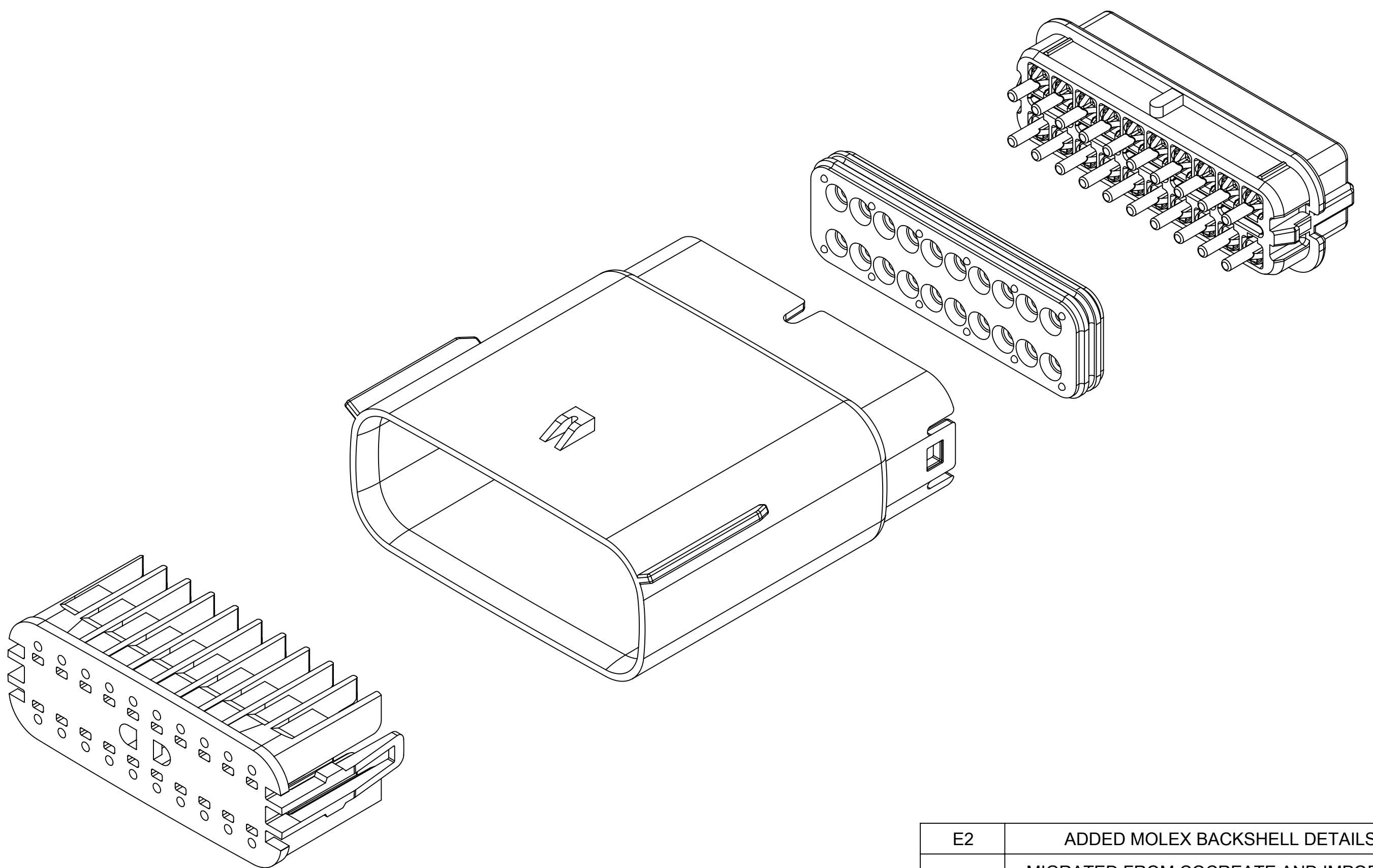
2X6



2X8



2X10

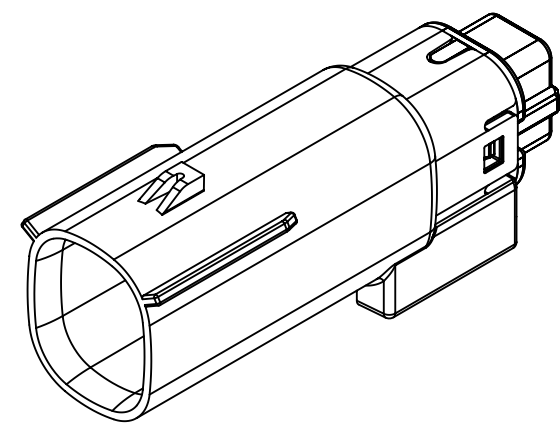


REV	DESCRIPTION
E2	ADDED MOLEX BACKSHELL DETAILS
E1	MIGRATED FROM COCREATE AND IMPORTED DXF FILES
E	ADDED CHARTED DIMENSIONS FOR 2X2, 2X4, 2X6 AND 2X8 WITH CLIPSLLOT
D	MINOR GEOMETRY CHANGE FOR UL V0
C3	ADD 2X4
C2	ADD 2X3
C1	ADD UL V0 CONFIGURATIONS
C	ADD 2X8
B1	ADD 2X6 BACKSHELL INFO
B	ADD 2X6
A	INITIAL RELEASE
REV	REV DESCRIPTION

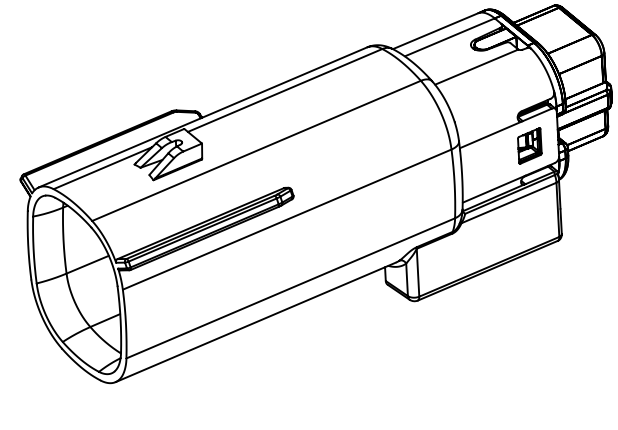
INSPECTION NUMBER LOG	
LAST NUMBER:	9
ADDED:	
REMOVED:	

SYMBOLS = 0 mm = 0 GENERAL TOLERANCES (UNLESS SPECIFIED) = 0 ANGULAR TOL ± 1.0° = 0 4 PLACES ± = 0 3 PLACES ± = 0 2 PLACES ± 0.1 = 0 1 PLACE ± 0.2 = 0 0 PLACES ± = 0 DRAFT WHERE APPLICABLE MUST REMAIN WITHIN DIMENSIONS	THIS DRAWING CONTAINS INFORMATION THAT IS PROPRIETARY TO MOLEX ELECTRONIC TECHNOLOGIES, LLC AND SHOULD NOT BE USED WITHOUT WRITTEN PERMISSION		SCALE 1.5:1		CURRENT REV DESC: EC NO: 171650 DRWN: PMANJUNATHAC 2018/01/03 CHK'D: MVANSLAMBROU 2018/02/16 APPR: MVANSLAMBROU 2018/02/16			
	GENERAL TOLERANCES (UNLESS SPECIFIED)		INITIAL REVISION: DRWN: APROFFITT 2014/04/28 APPR: VKOSHY 2014/05/14		DOCUMENT NUMBER SD-33482-0001			
	PRODUCT CUSTOMER DRAWING		MATERIAL NUMBER 33482		CUSTOMER GENERAL MARKET		SHEET NUMBER 1 OF 11	
	DRAFT WHERE APPLICABLE MUST REMAIN WITHIN DIMENSIONS		THIRD ANGLE PROJECTION		DRAWING A1-SIZE		SERIES 33482	

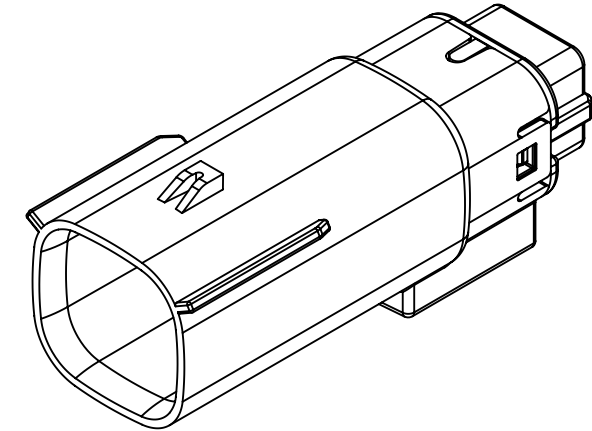
SHEET DESCRIPTION
CONFIGURATIONS



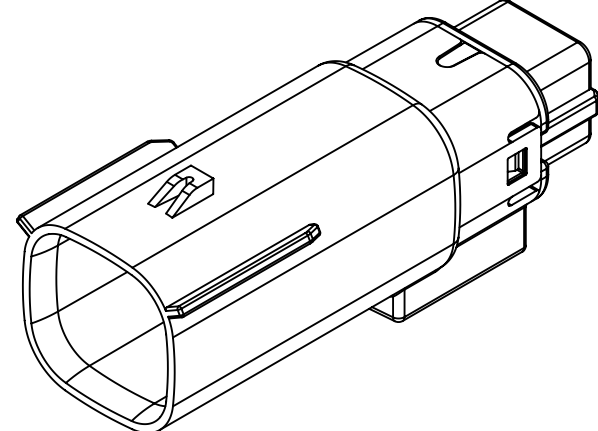
2X2 - STANDARD (STD)



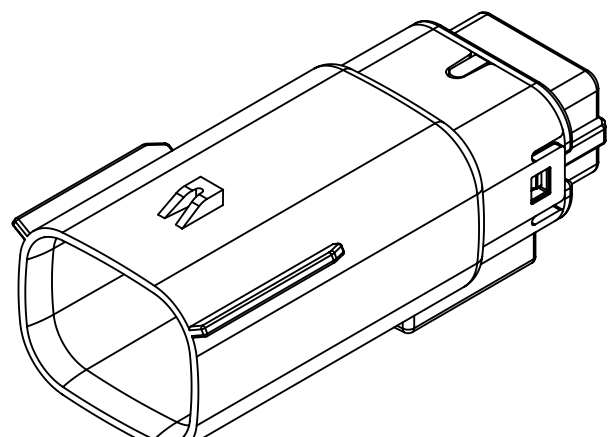
2X2 - UL V0*



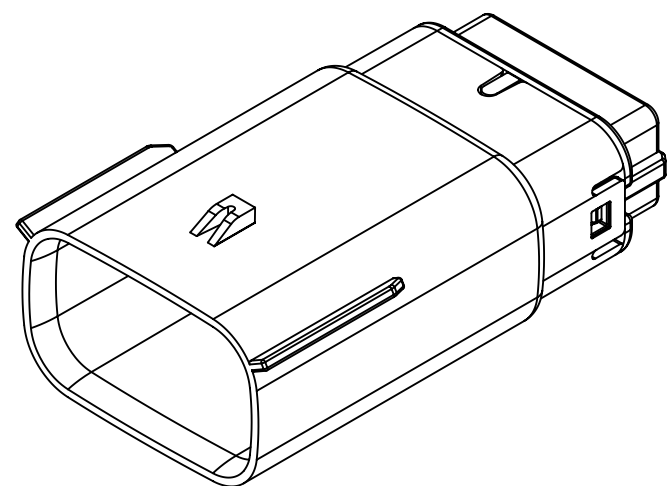
2X3 - STANDARD (STD)



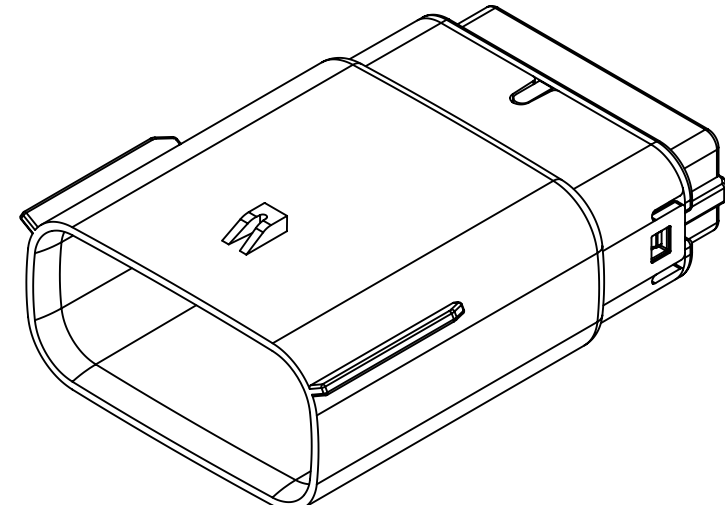
2X3 - LENGTHENED



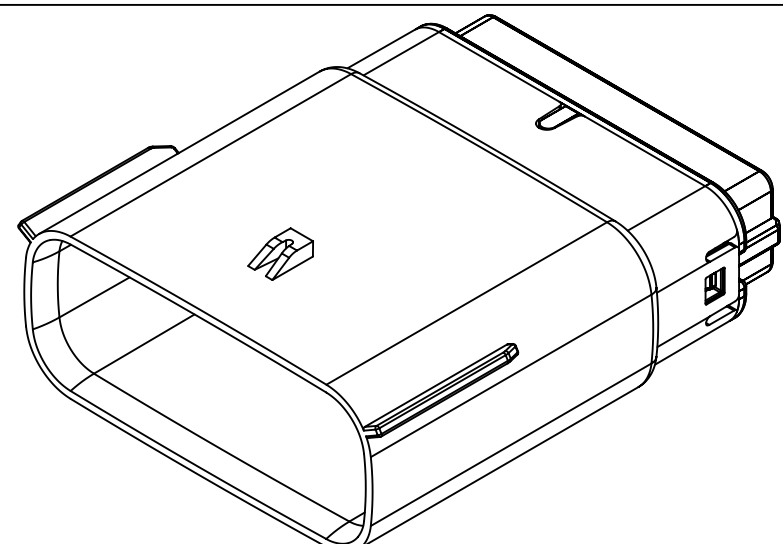
2X4 - STANDARD (STD)



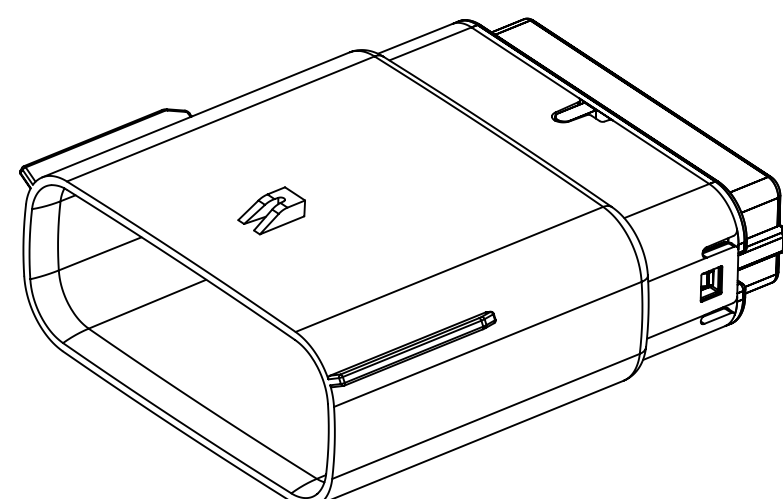
2X6 - STANDARD (STD)



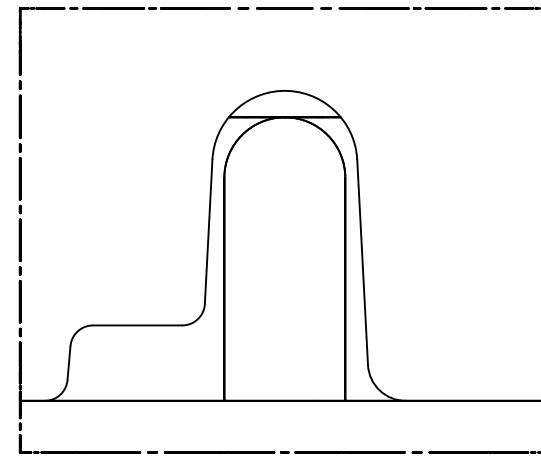
2X8 - STANDARD (STD)



2X10 - STANDARD (STD)



2X10 - UL V0*



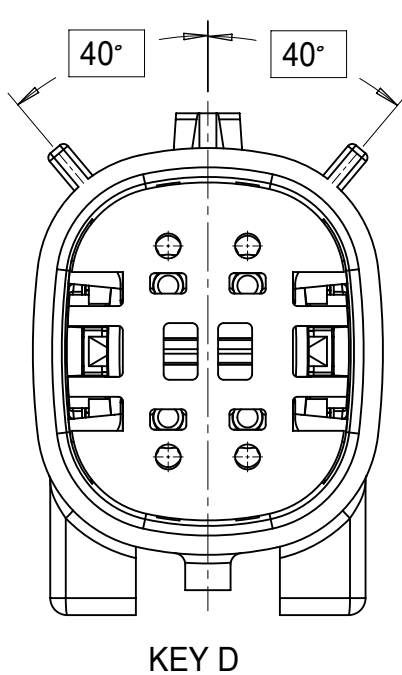
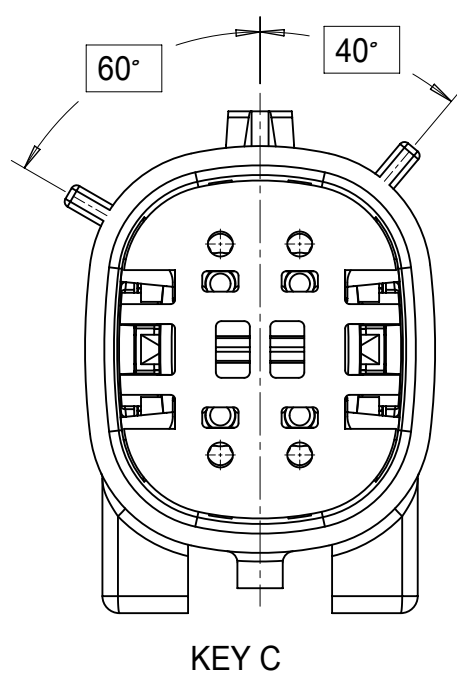
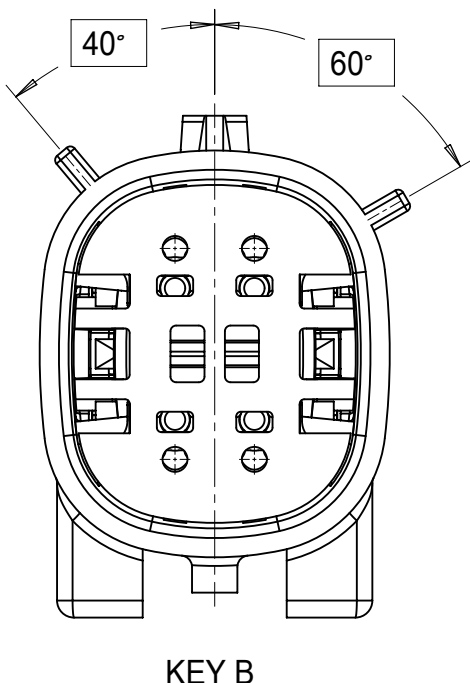
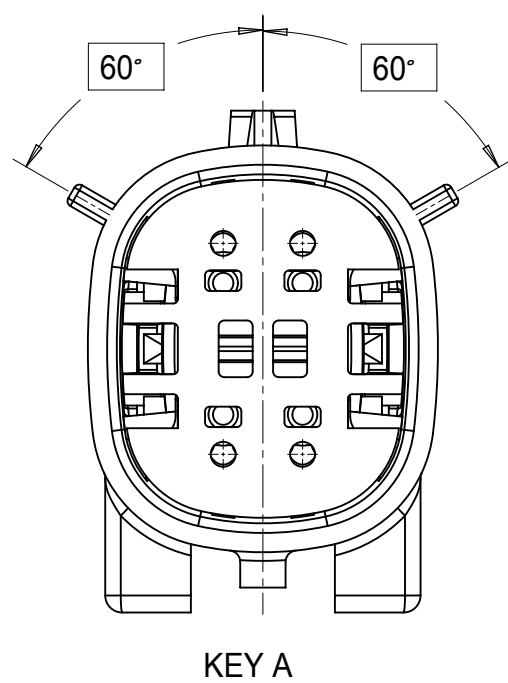
UL V0 UNIQUE FEATURE
Partial1
SCALE 10:1

* MINOR GEOMETRY CHANGE THAN STANDARD CONFIGURATION.
SEE NOTE 2a FOR MORE INFORMATION

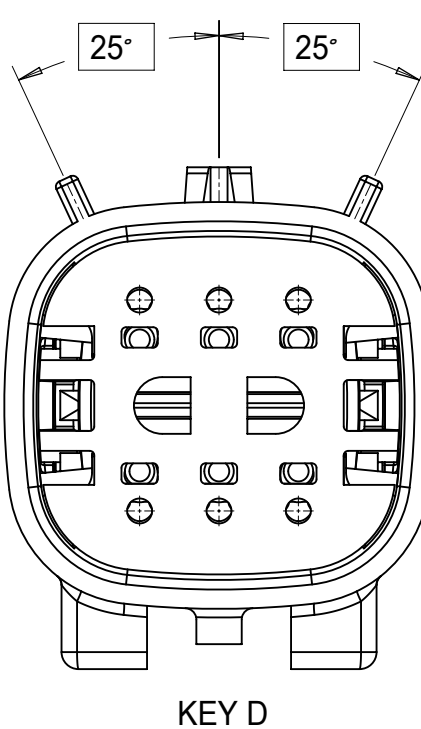
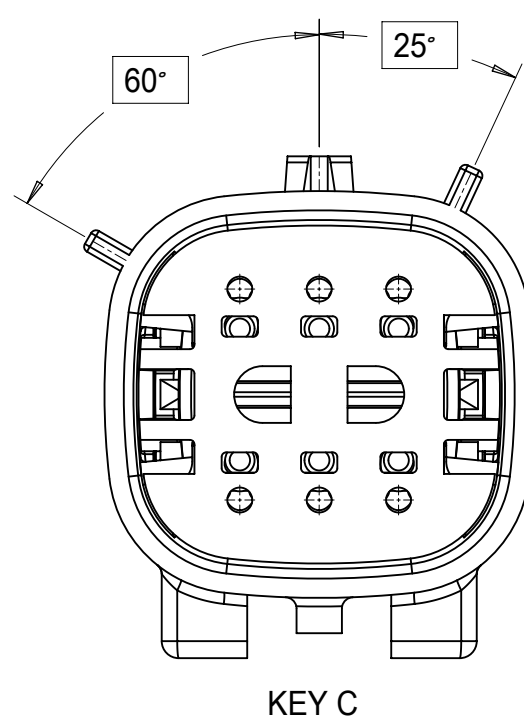
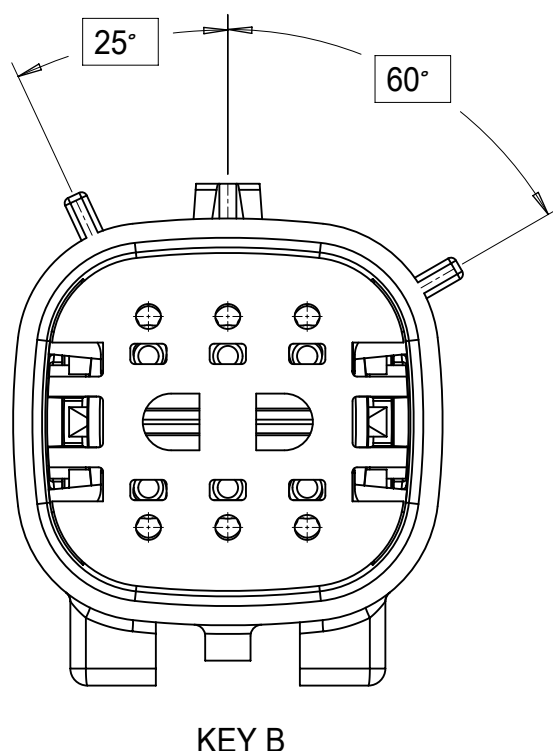
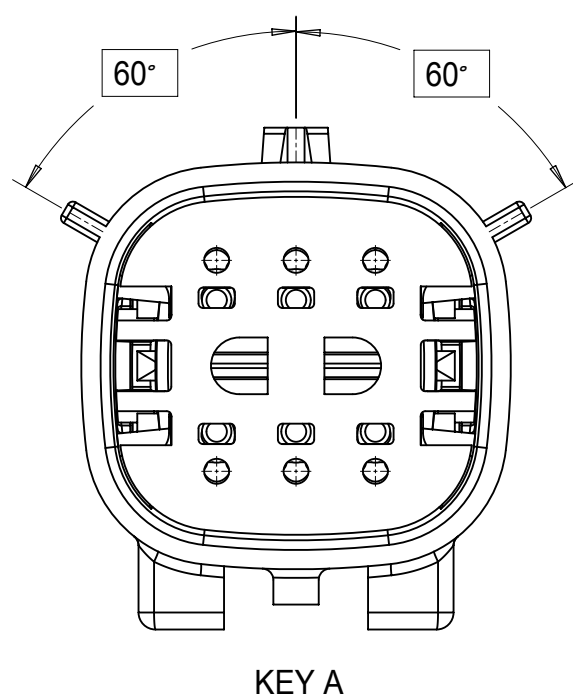
SYMBOLS	THIS DRAWING CONTAINS INFORMATION THAT IS PROPRIETARY TO MOLEX ELECTRONIC TECHNOLOGIES, LLC AND SHOULD NOT BE USED WITHOUT WRITTEN PERMISSION		CURRENT REV DESC:		molex
	DIMENSION UNITS	SCALE			
▽ = 0	mm	1.5:1	EC NO: 171650		MX150 BLADE DUAL ROW SEALED ASSEMBLY MAT SEAL
▽ = 0	GENERAL TOLERANCES (UNLESS SPECIFIED)		DRWN: PMANJUNATHAC 2018/01/03		
▽ = 0	ANGULAR TOL ± 1.0°		CHK'D: MVANSLAMBROU 2018/02/16		
▽ = 0	4 PLACES ±		APPR: MVANSLAMBROU 2018/02/16		
▽ = 0	3 PLACES ±		INITIAL REVISION:		
▽ = 0	2 PLACES ± 0.1		DRWN: APROFFITT 2014/04/28		
▽ = 0	1 PLACE ± 0.2		APPR: VKOSHY 2014/05/14		
▽ = 0	0 PLACES ±		THIRD ANGLE PROJECTION		
▽ = 0	DRAFT WHERE APPLICABLE MUST REMAIN WITHIN DIMENSIONS		DRAWING	SERIES	DOCUMENT NUMBER
▽ = 0			A1-SIZE	33482	SD-33482-0001
					DOC TYPE DOC PART REVISION
					PSD 001 E2
					MATERIAL NUMBER CUSTOMER SHEET NUMBER
					GENERAL MARKET 2 OF 11

SHEET DESCRIPTION
KEY CONFIGURATIONS

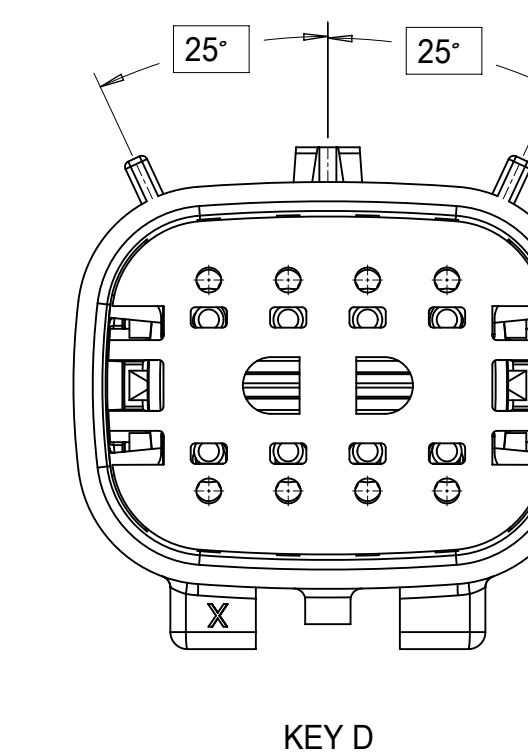
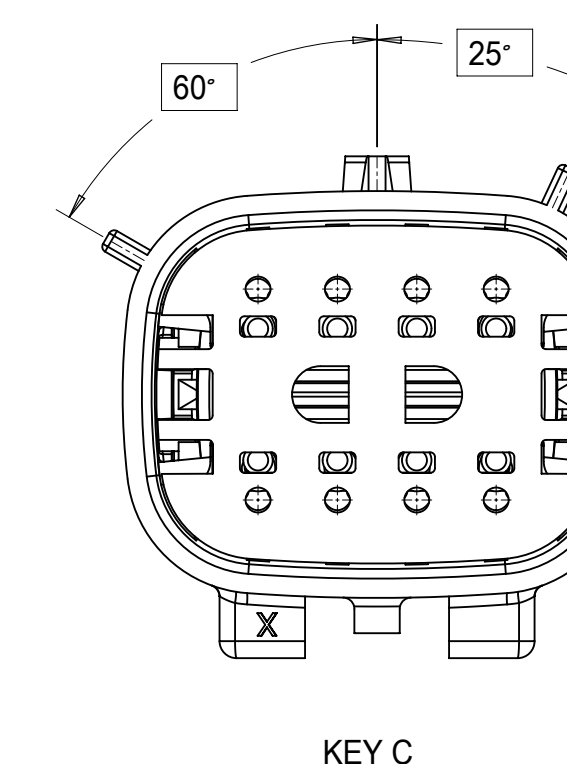
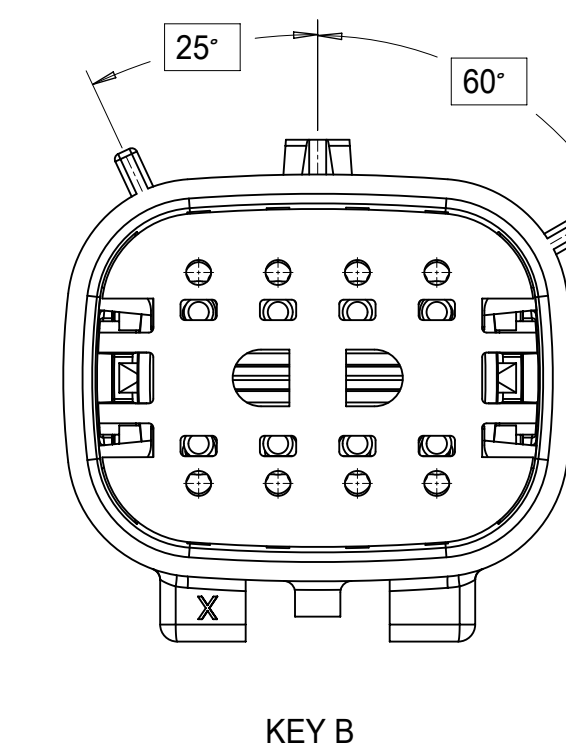
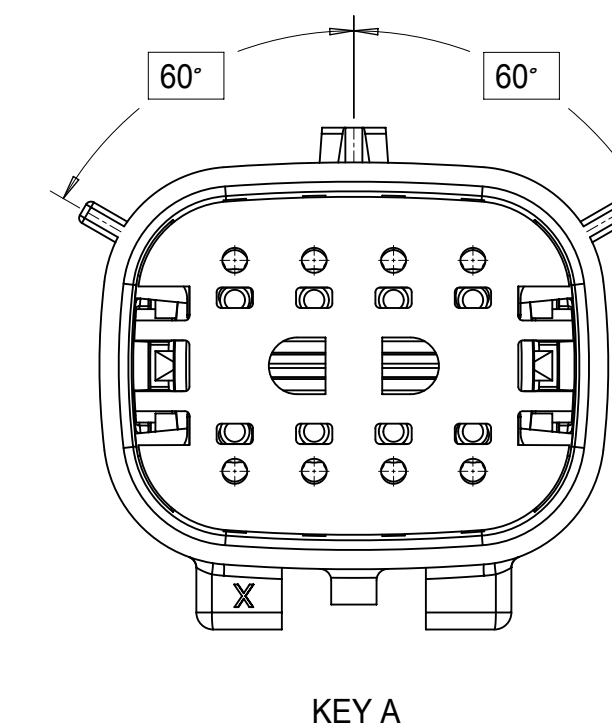
2X2



2X3



2X4



THIS DRAWING CONTAINS INFORMATION THAT IS PROPRIETARY TO MOLEX ELECTRONIC TECHNOLOGIES, LLC AND SHOULD NOT BE USED WITHOUT WRITTEN PERMISSION

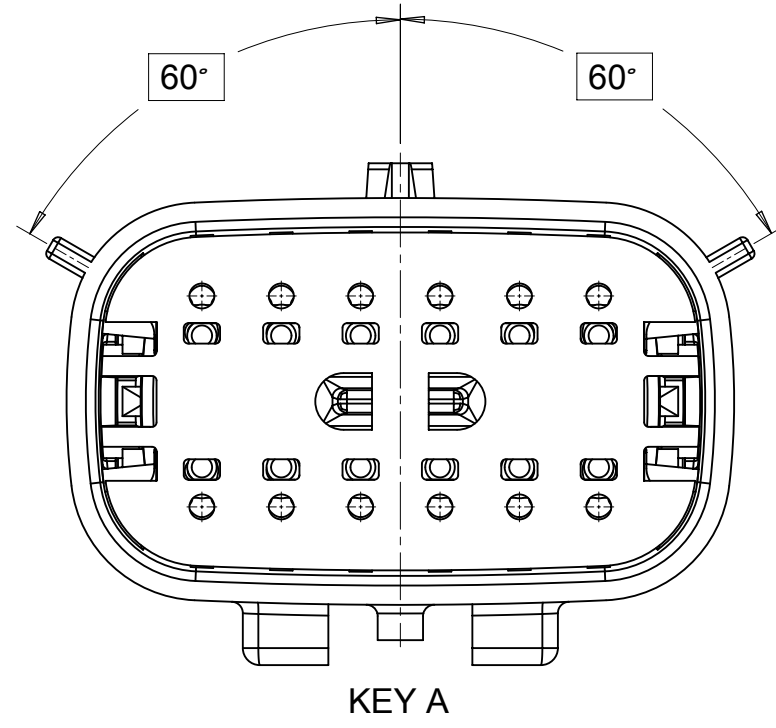
SYMBOLS	DIMENSION UNITS	SCALE
	mm	3:1
	GENERAL TOLERANCES (UNLESS SPECIFIED)	
	ANGULAR TOL ± 1.0°	
	4 PLACES	±
	3 PLACES	±
	2 PLACES	± 0.1
	1 PLACE	± 0.2
	0 PLACES	±
	DRAFT WHERE APPLICABLE MUST REMAIN WITHIN DIMENSIONS	

CURRENT REV DESC:		
EC NO:	171650	
DRWN:	PMANJUNATHAC	2018/01/03
CHK'D:	MVANSLAMBROU	2018/02/16
APPR:	MVANSLAMBROU	2018/02/16
INITIAL REVISION:		
DRWN:	APROFFITT	2014/04/28
APPR:	VKOSHY	2014/05/14
THIRD ANGLE PROJECTION	DRAWING	SERIES
	A1-SIZE	33482

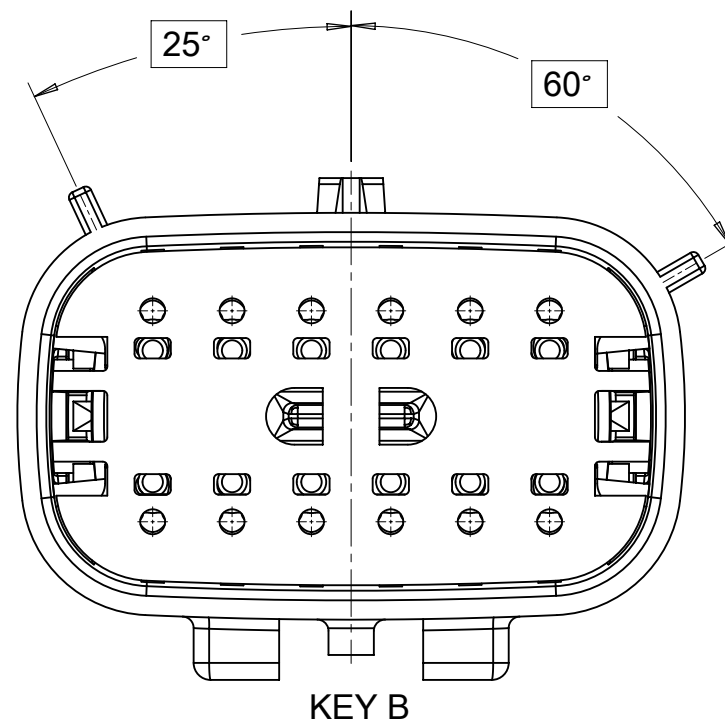
molex		
MX150 BLADE DUAL ROW SEALED ASSEMBLY MAT SEAL		
PRODUCT CUSTOMER DRAWING		
DOCUMENT NUMBER	DOC TYPE	DOC PART
SD-33482-0001	PSD	001
MATERIAL NUMBER	CUSTOMER	SHEET NUMBER
	GENERAL MARKET	3 OF 11

SHEET DESCRIPTION
KEY CONFIGURATIONS CONT.

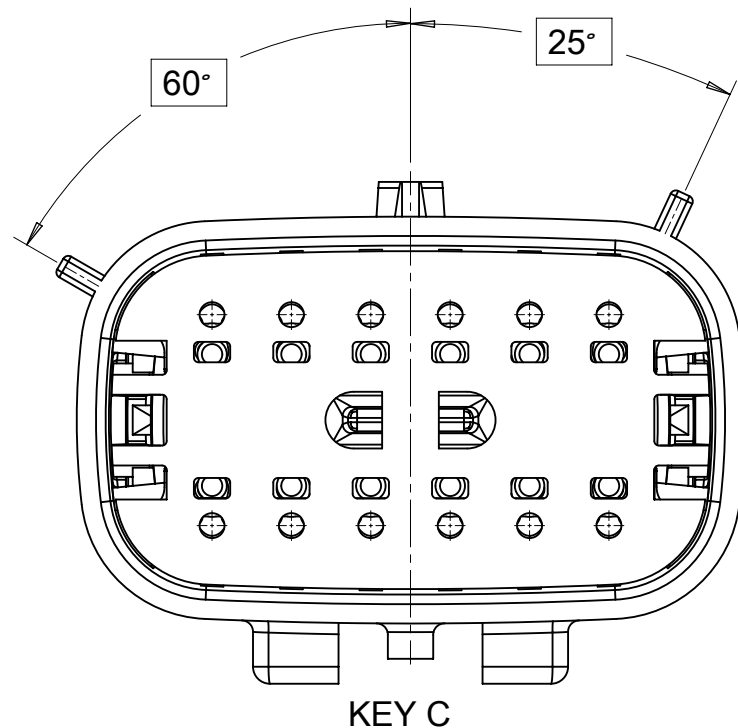
2X6



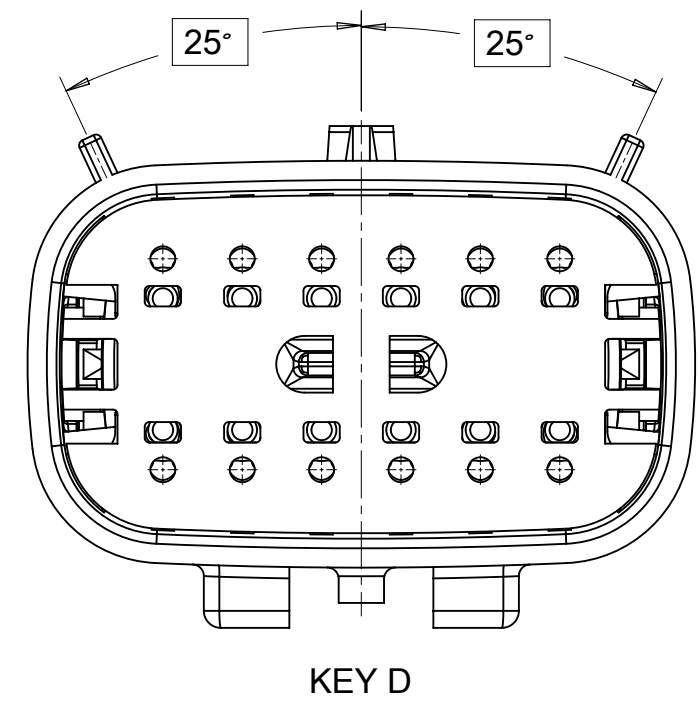
KEY A



KEY B

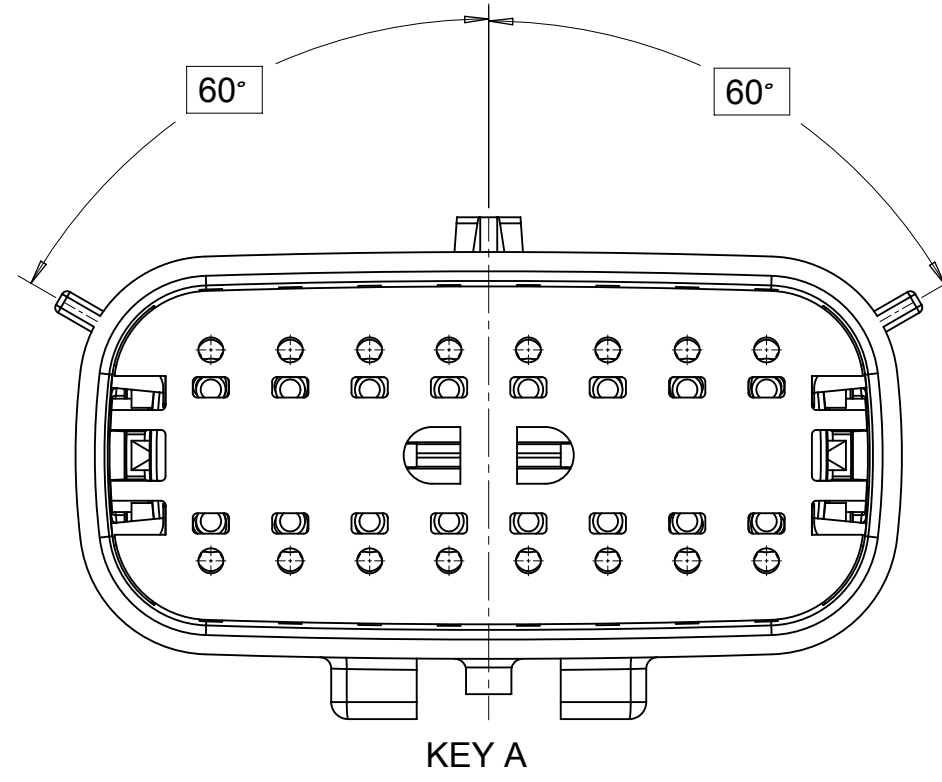


KEY C

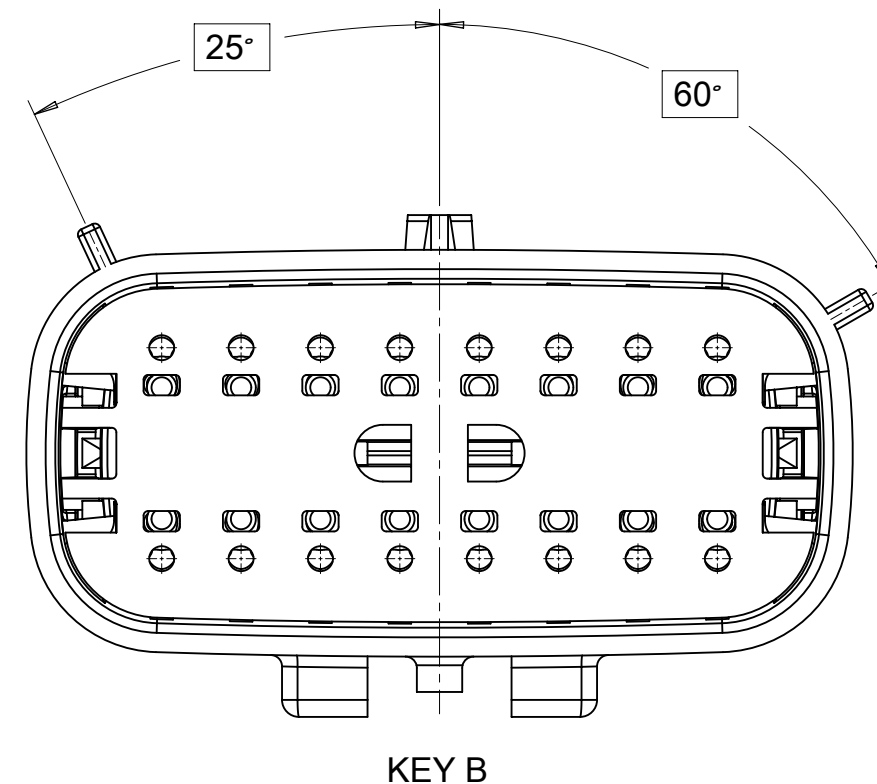


KEY D

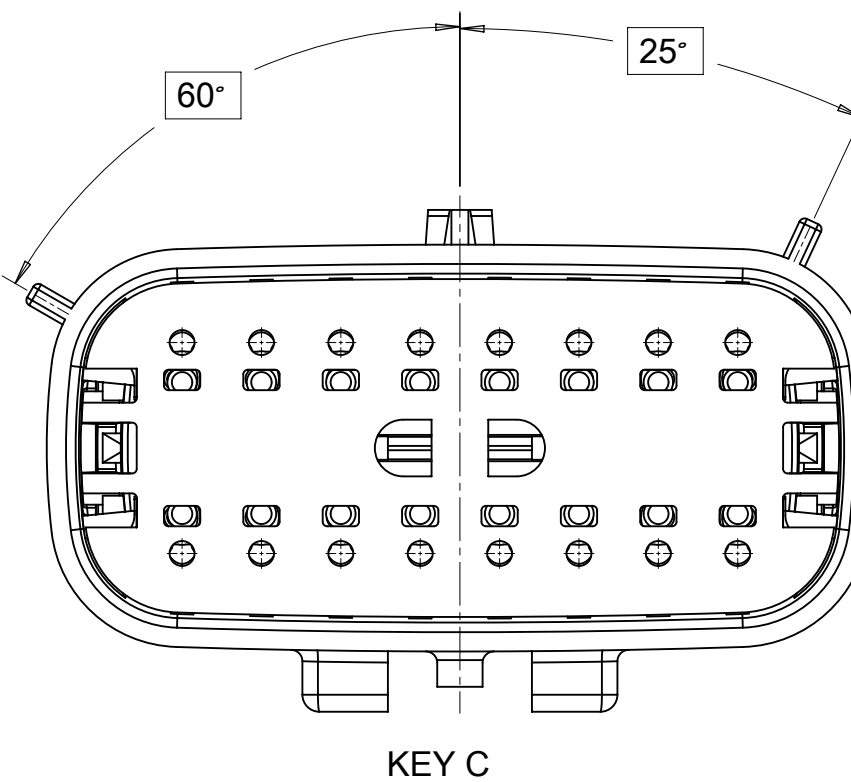
2X8



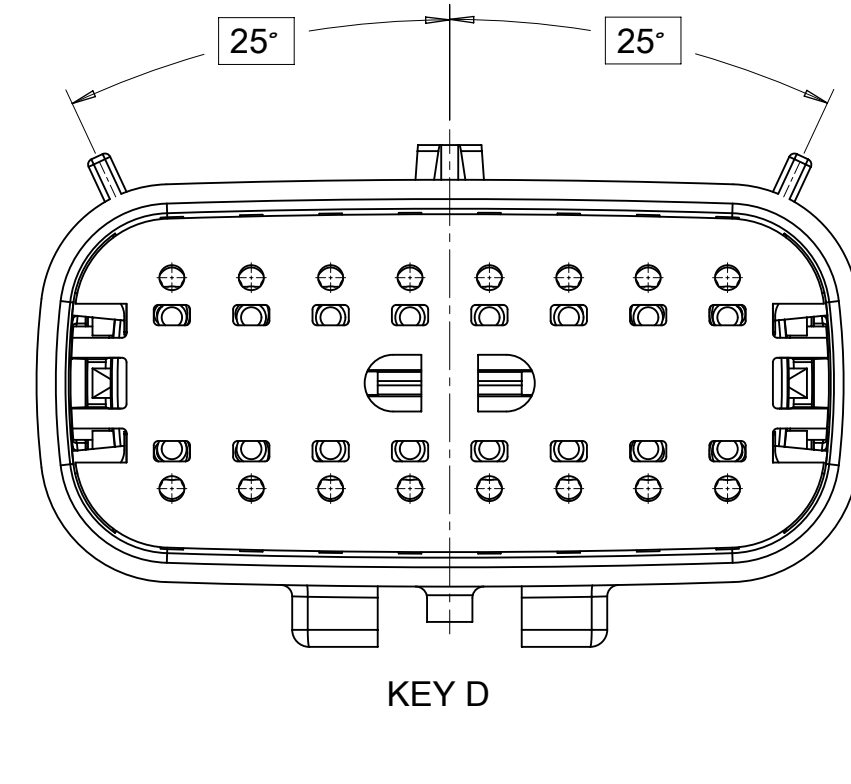
KEY A



KEY B

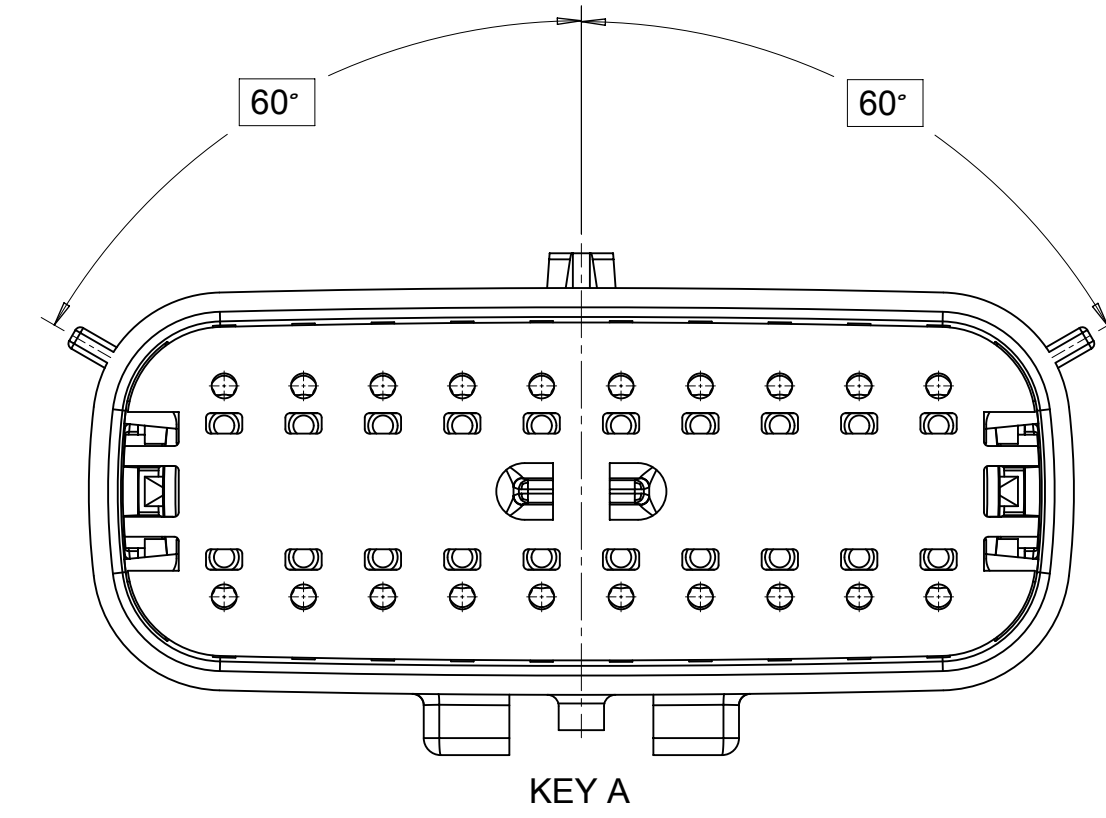


KEY C

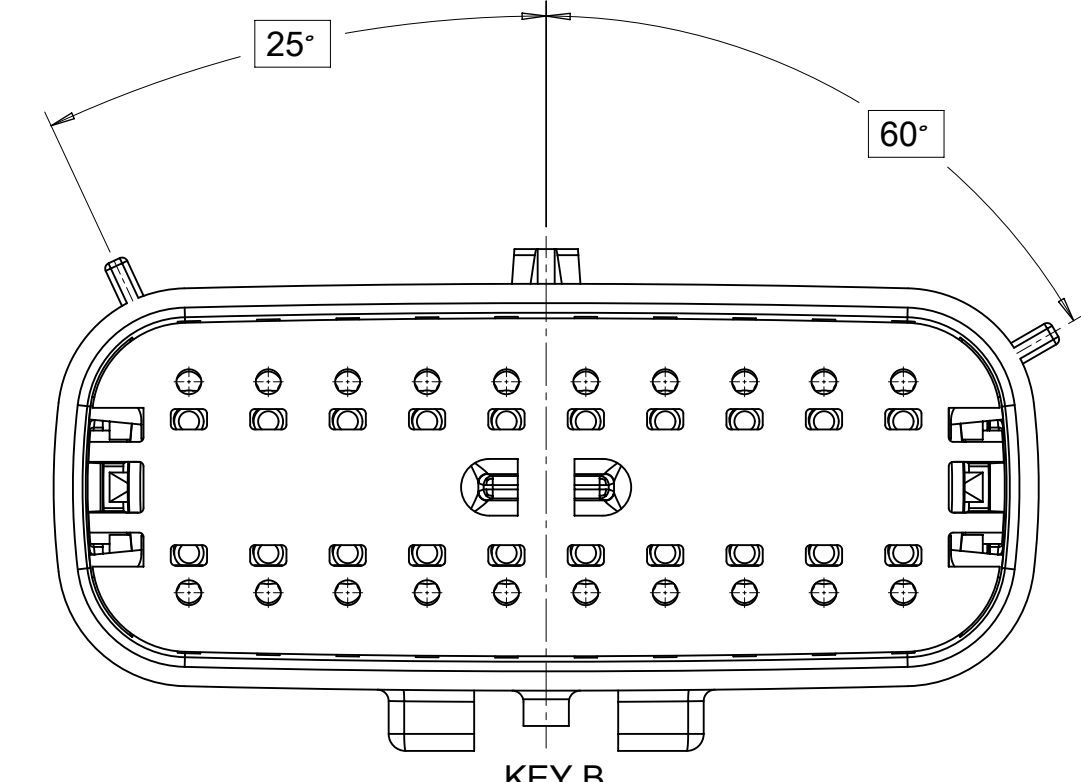


KEY D

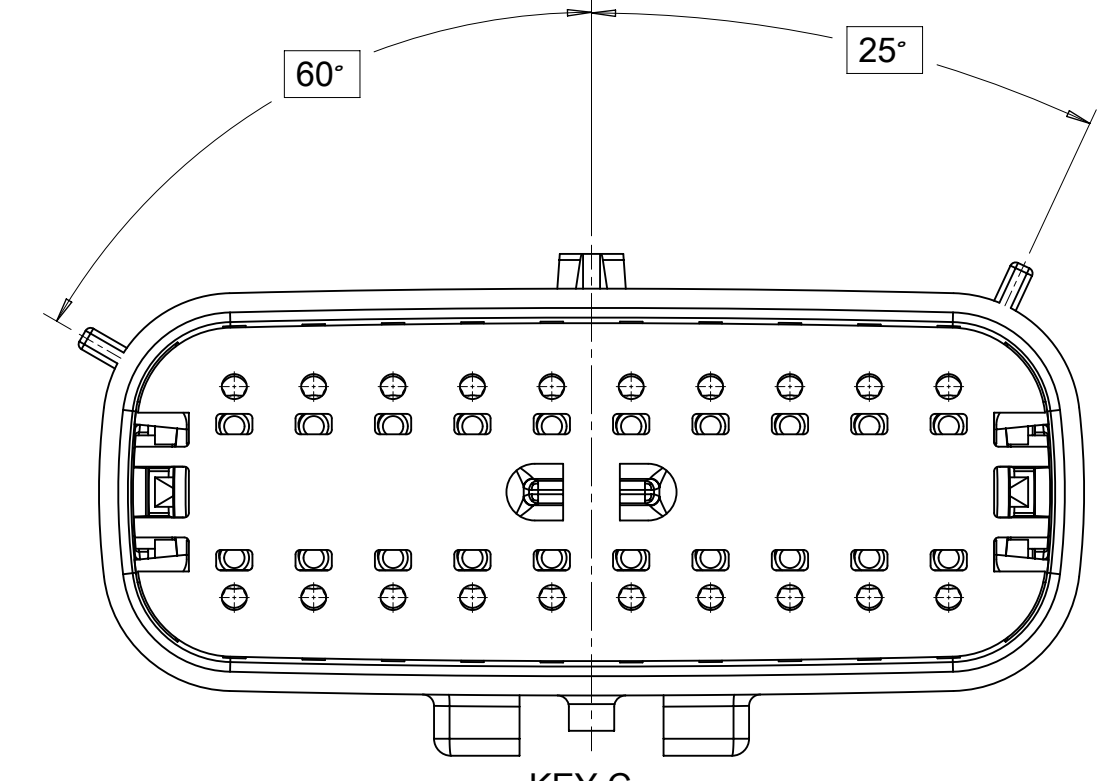
2X10



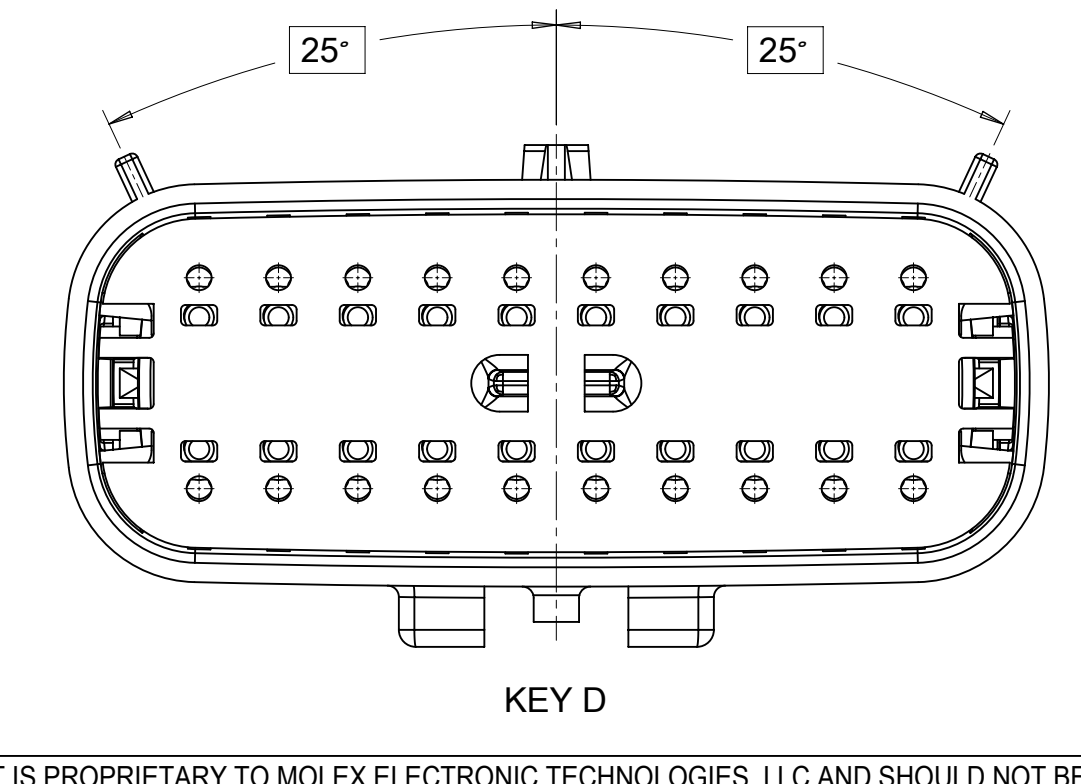
KEY A



KEY B



KEY C

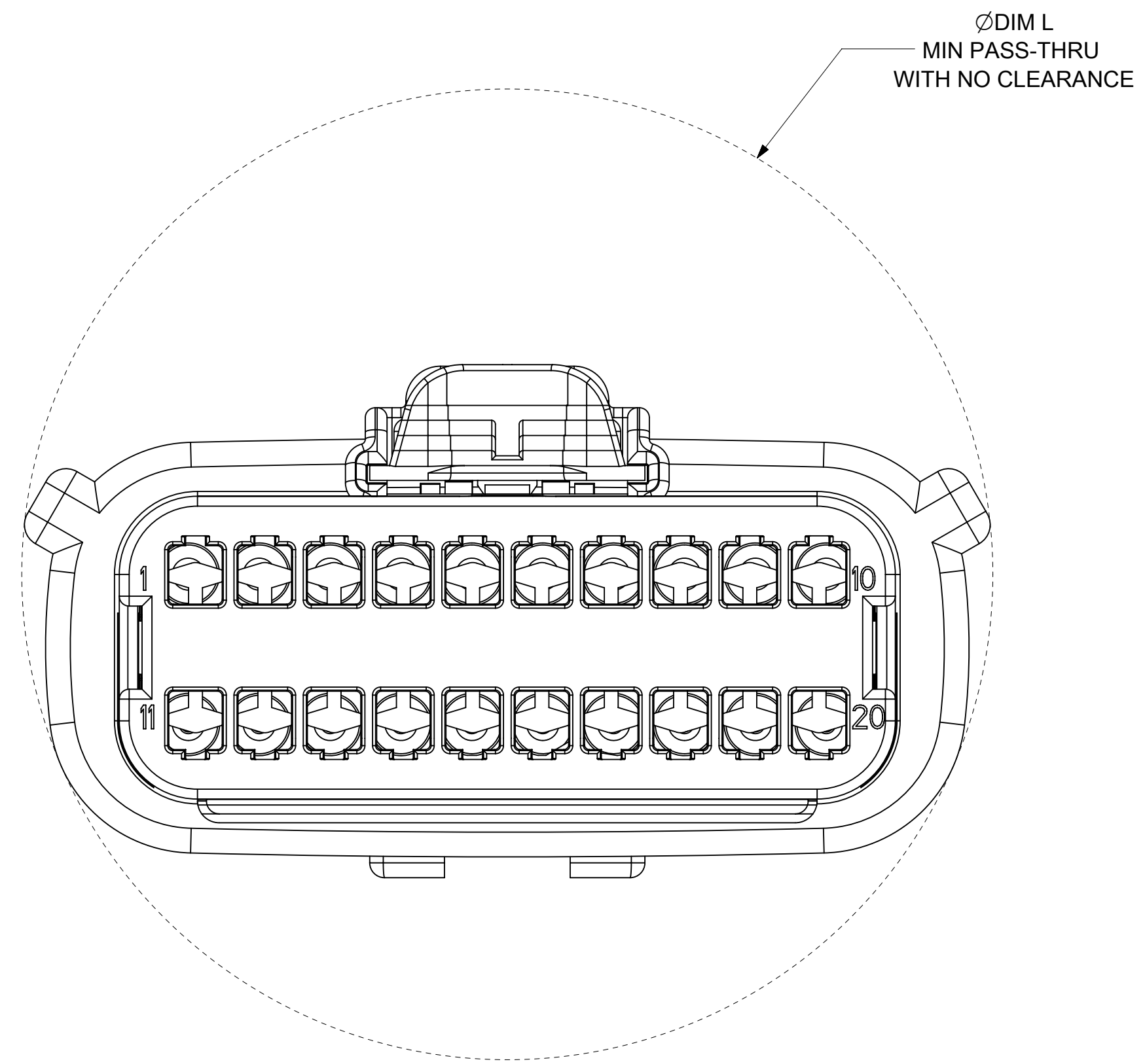
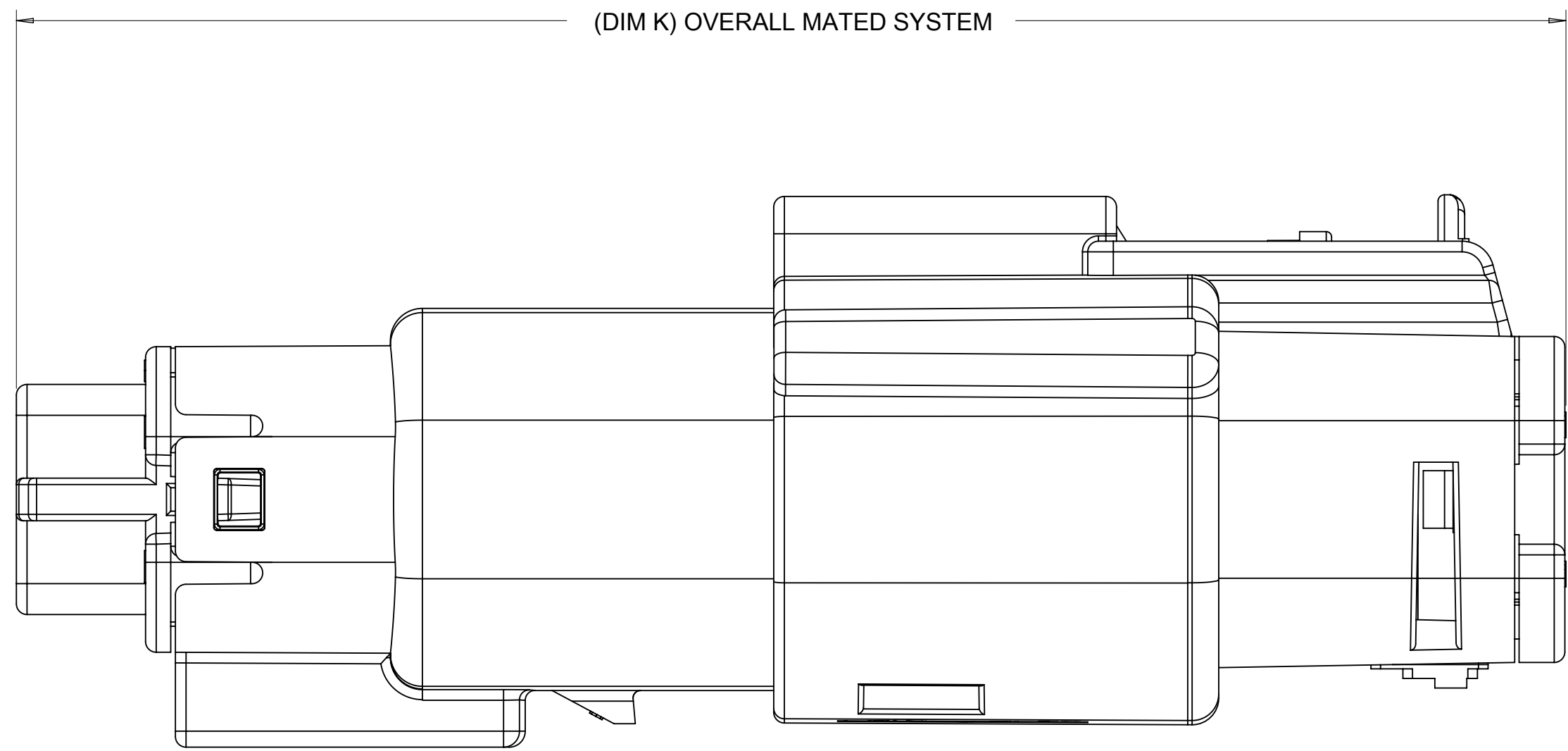


KEY D

SYMBOLS	THIS DRAWING CONTAINS INFORMATION THAT IS PROPRIETARY TO MOLEX ELECTRONIC TECHNOLOGIES, LLC AND SHOULD NOT BE USED WITHOUT WRITTEN PERMISSION		CURRENT REV DESC:					
	DIMENSION UNITS	SCALE						EC NO: 171650
▽ = 0	mm	3:1	DRWN: PMANJUNATHAC 2018/01/03	CHK'D: MVANSLAMBROU 2018/02/16	DUAL ROW SEALED ASSEMBLY MAT SEAL			
▽ = 0	GENERAL TOLERANCES (UNLESS SPECIFIED)		APPR: MVANSLAMBROU 2018/02/16	INITIAL REVISION:	PRODUCT CUSTOMER DRAWING			
▽ = 0	ANGULAR TOL ± 1.0°		DRWN: APROFFITT 2014/04/28	APPR: VKOSHY 2014/05/14	DOCUMENT NUMBER	DOC TYPE	DOC PART	REVISION
▽ = 0	4 PLACES ±		DRWN: APROFFITT 2014/04/28	APPR: VKOSHY 2014/05/14	SD-33482-0001	PSD	001	E2
▽ = 0	3 PLACES ±		DRWN: APROFFITT 2014/04/28	APPR: VKOSHY 2014/05/14	MATERIAL NUMBER	CUSTOMER	SHEET NUMBER	
▽ = 0	2 PLACES ± 0.1		DRWN: APROFFITT 2014/04/28	APPR: VKOSHY 2014/05/14	33482	GENERAL MARKET	4 OF 11	
▽ = 0	1 PLACE ± 0.2		DRWN: APROFFITT 2014/04/28	APPR: VKOSHY 2014/05/14				
▽ = 0	0 PLACES ±		DRWN: APROFFITT 2014/04/28	APPR: VKOSHY 2014/05/14				
▽ = 0	DRAFT WHERE APPLICABLE MUST REMAIN WITHIN DIMENSIONS		THIRD ANGLE PROJECTION	DRAWING	SERIES			
▽ = 0				A1-SIZE	33482			

SHEET DESCRIPTION
SYSTEM PACKAGING

CHARTED DIMENSION				
CKT	BLADE CONFIGURATION	RECEPTACLE CONFIGURATION	DIMENSIONS	
			K	L
2X2	STANDARD	W/O CLIPSLOT	72.78	28.00
		W/ CLIPSLOT	72.78	28.50
		LENGTHENED	77.21	28.00
2X3	STANDARD	W/O CLIPSLOT	72.78	28.00
		W/ CLIPSLOT		30.50
	LENGTHENED	W/O CLIPSLOT	74.79	28.00
		W/ CLIPSLOT		30.50
2X4	STANDARD	W/O CLIPSLOT	72.78	29.50
		W/ CLIPSLOT		31.50
2X6	STANDARD	W/O CLIPSLOT	72.79	35.58
		W/ CLIPSLOT		
2X8	STANDARD	W/O CLIPSLOT	72.67	42.25
		W/ CLIPSLOT		
2X10	STANDARD	STANDARD	72.78	49.05

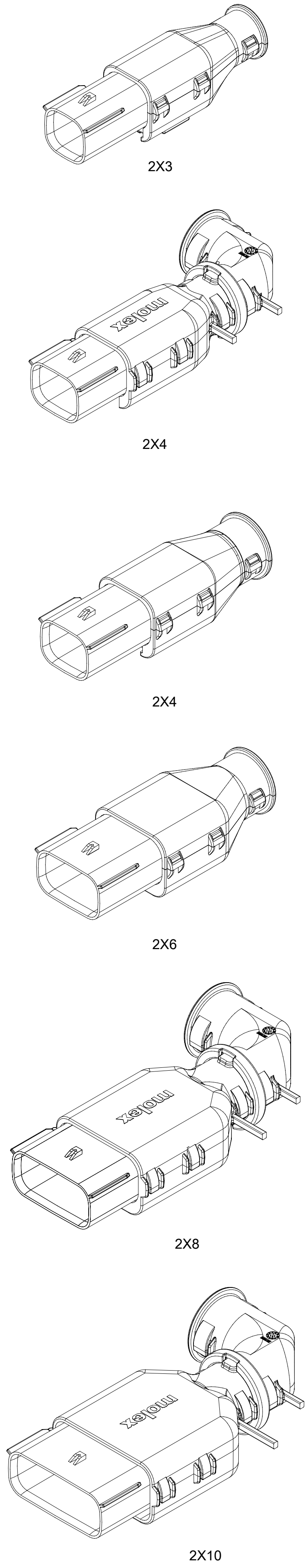


SYMBOLS ▽ = 0 ▽ = 0 ▽ = 0 ▽ = 0 ▽ = 0 ▽ = 0 ▽ = 0 ▽ = 0 ▽ = 0 ▽ = 0	THIS DRAWING CONTAINS INFORMATION THAT IS PROPRIETARY TO MOLEX ELECTRONIC TECHNOLOGIES, LLC AND SHOULD NOT BE USED WITHOUT WRITTEN PERMISSION	DIMENSION UNITS	SCALE	CURRENT REV DESC:						
	mm	4:1	EC NO: 171650 DRWN: PMANJUNATHAC 2018/01/03 CHK'D: MVANSLAMBROU 2018/02/16 APPR: MVANSLAMBROU 2018/02/16							
	GENERAL TOLERANCES (UNLESS SPECIFIED)				INITIAL REVISION:			PRODUCT CUSTOMER DRAWING		
	ANGULAR TOL ± 1.0°				DRWN: APROFFITT 2014/04/28			DOCUMENT NUMBER		
	4 PLACES ±				APPR: VKOSHY 2014/05/14			DOC TYPE DOC PART REVISION		
	3 PLACES ±				DRAFT WHERE APPLICABLE MUST REMAIN WITHIN DIMENSIONS			SD-33482-0001 PSD 001 E2		
	2 PLACES ± 0.1				THIRD ANGLE PROJECTION			MATERIAL NUMBER		
	1 PLACE ± 0.2				DRAWING			CUSTOMER		
	0 PLACES ±				A1-SIZE			SHEET NUMBER		
					SERIES			GENERAL MARKET 6 OF 11		

SHEET DESCRIPTION
BACKSHELL NOTES

BACKSHELL NOTES: VALID UNLESS OTHERWISE SPECIFIED

1. GENERAL:
a. APPLICATION SPECIFICATION SEE: AS-34951-001
-DESIGNED TO MATE WITH BLADE SEALED ASSEMBLY SPECIFIED IN MOLEX DRAWING SD-33482-0001.
-SYSTEM TO BE USED WITH WIRE WITHIN DIAMETER RANGE OF 1.2mm TO 2.69mm.
-COMPONENTS ARE OPTIONAL AND MUST BE PURCHASED SEPERATELY.
-DESIGN IS OWNED BY SCHLEMMER FOR SCHLEMMER BACKSHELL.
-DESIGN IS OWNED BY MOLEX FOR MOLEX BACKSHELL.
-90° ADAPTOR DESIGN IS OWNED BY MOLEX.
-FOR ADDITIONAL INFORMATION SEE THE BACKSHELL COMPONENT DRAWING SD-34950-0001.



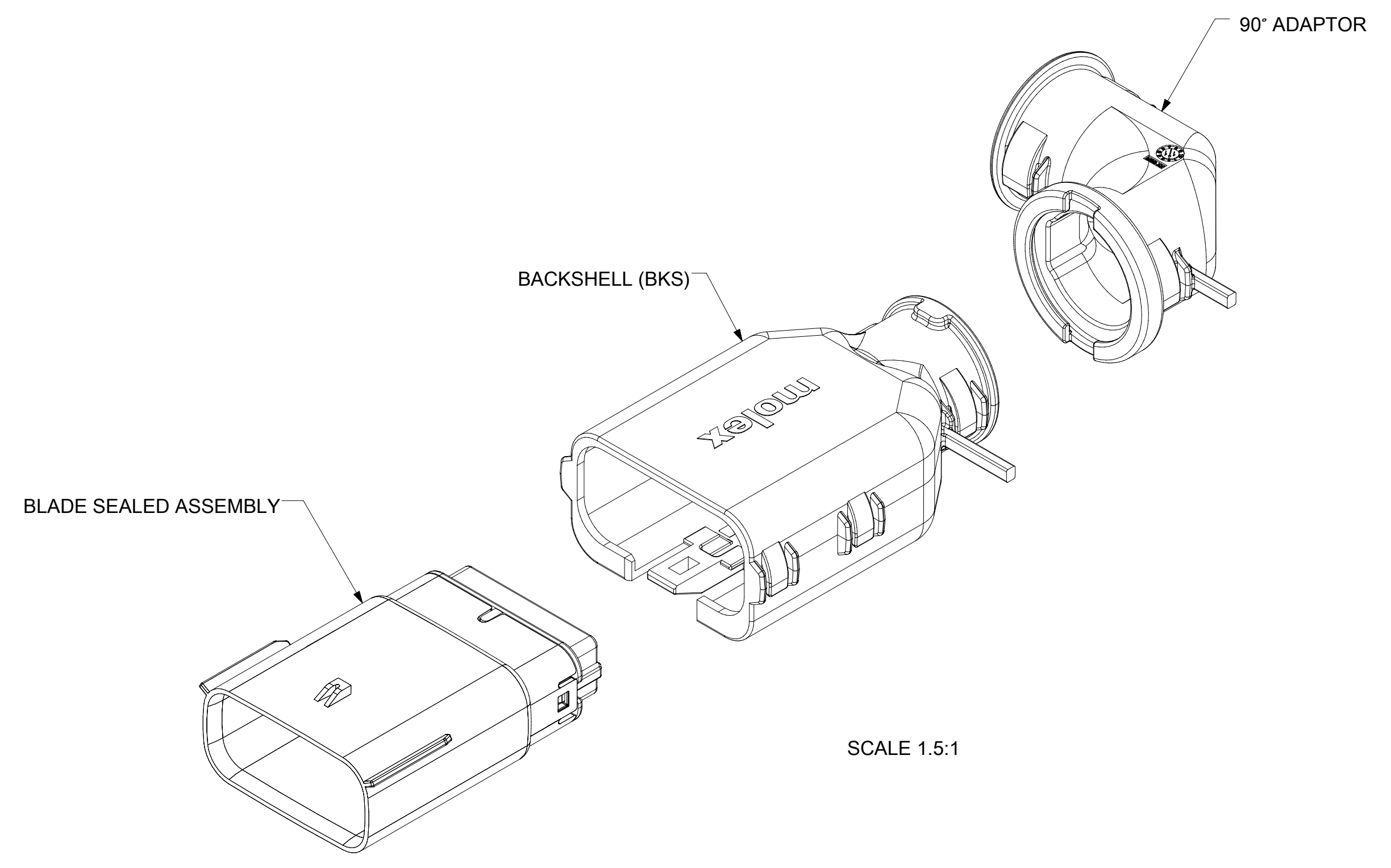
BACKSHELL CUSTOMER MODEL NUMBER LEGEND

34950-XXXX

CUSTOMER MODEL COMPONENTS
0 - SCHLEMMER BACKSHELL ONLY
1 - SCHLEMMER BACKSHELL & MX150 HOUSING KEY A ASSEMBLY
2 - SCHLEMMER BACKSHELL & MX150 HOUSING KEY B ASSEMBLY
3 - SCHLEMMER BACKSHELL & MX150 HOUSING KEY C ASSEMBLY
4 - SCHLEMMER BACKSHELL & MX150 HOUSING KEY D ASSEMBLY
5 - MOLEX BACKSHELL ONLY
6 - MOLEX BACKSHELL & MX150 HOUSING KEY A ASSEMBLY
7 - MOLEX BACKSHELL & MX150 HOUSING KEY B ASSEMBLY
8 - MOLEX BACKSHELL & MX150 HOUSING KEY C ASSEMBLY
9 - MOLEX BACKSHELL & MX150 HOUSING KEY D ASSEMBLY

BACKSHELL FEATURES
1 - WITH RIBS
2 - WITHOUT RIBS
3 - 90° ADAPTOR

MX150 CIRCUIT SIZE 04, 06, 08, 12, 16, 20



SYMBOLS	THIS DRAWING CONTAINS INFORMATION THAT IS PROPRIETARY TO MOLEX ELECTRONIC TECHNOLOGIES, LLC AND SHOULD NOT BE USED WITHOUT WRITTEN PERMISSION		CURRENT REV DESC:					
	DIMENSION UNITS	SCALE						EC NO: 171650
▽ = 0	mm	1.5:1	DRWN: APROFFITT 2014/04/28	CHK'D: MVANSLAMBROU 2018/02/16	DUAL ROW SEALED ASSEMBLY MAT SEAL			
▽ = 0	GENERAL TOLERANCES (UNLESS SPECIFIED)		APPR: MVANSLAMBROU 2018/02/16	APPR: VKOSHY 2014/05/14	PRODUCT CUSTOMER DRAWING			
▽ = 0	ANGULAR TOL ± 1.0°		INITIAL REVISION:		DOCUMENT NUMBER	DOC TYPE	DOC PART	REVISION
▽ = 0	4 PLACES	±	DRWN: APROFFITT 2014/04/28	APPR: VKOSHY 2014/05/14	SD-33482-0001	PSD	001	E2
▽ = 0	3 PLACES	±	DRAFT WHERE APPLICABLE MUST REMAIN WITHIN DIMENSIONS		MATERIAL NUMBER	CUSTOMER		SHEET NUMBER
▽ = 0	2 PLACES	± 0.1	THIRD ANGLE PROJECTION	DRAWING	GENERAL MARKET	7 OF 11		
▽ = 0	1 PLACE	± 0.2	⊕	A1-SIZE	33482			
▽ = 0	0 PLACES	±						

TABLE OF CONTENTS	
SHEET NO.	SHEET DESCRIPTION
1	NOTES AND BOM
2	CONFIGURATIONS
3	SCHLEMMER BACKSHELL DETAIL
4	MOLEX BACKSHELL DETAIL

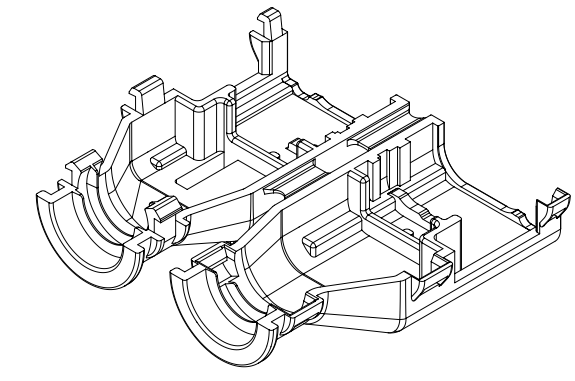
BACKSHELL NOTES: VALID UNLESS OTHERWISE SPECIFIED

1. GENERAL:
- a. APPLICATION SPECIFICATION SEE: AS-34951-001
 - DESIGNED TO MATE WITH RECEPTACLE SEALED ASSEMBLY AS SPECIFIED IN SD-33472-0001.
 - COMPONENTS ARE OPTIONAL AND MUST BE PURCHASED SEPERATELY
 - b. MOLEX PRODUCT SPECIFICATION SEE: TBD
 - BACKSHELL DESIGN IS OWNED BY MOLEX.
 - c. OUTSOURCED MFG PRODUCT SPECIFICATION
 - BACKSHELL DESIGN IS OWNED BY SCHLEMMER.
 - THESE PRODUCTS ARE ONE TIME USE ONLY.
 - REMOVAL FORCE OF THE BACKSHELL FROM THE MOLEX CONNECTOR TO BE 100N MIN.
 - REMOVAL FORCE OF SLIT CONVOLUTE FROM THE WITH RIB OPTION BACKSHELLS TO BE 100N MIN.
 - REMOVAL FORCE OF UNSLIT CONVOLUTE FROM THE WITH RIB OPTION BACKSHELLS TO BE 100N MIN.
 - d. PACKAGING SPECIFICATION: SEE BOM
 - e. PARTS MUST BE IN COMPLIANCE TO MOLEX CHEMICAL SUBSTANCES FOR PRODUCTS AND PACKAGING SPECIFICATION: QEHS-699000-300
 - f. DATA MUST BE SUBMITTED UNDER THE MOLEX PART NUMBER TO IMDS (COMPANY ID#13255)
 - g. FOLLOWING PRODUCTION CODES TO BE PRESENT
 - DATE CODE
 - MOLD CAVITY CODE
 - MOLEX LOGO
 - RECYCLE CODE
 - SUPPLIER PART NUMBER - SCHLEMMER PARTS ONLY
 - h. CONNECTOR MUST HAVE CLIPSLOT FEATURE FOR USE WITH MOLEX BACKSHELLS

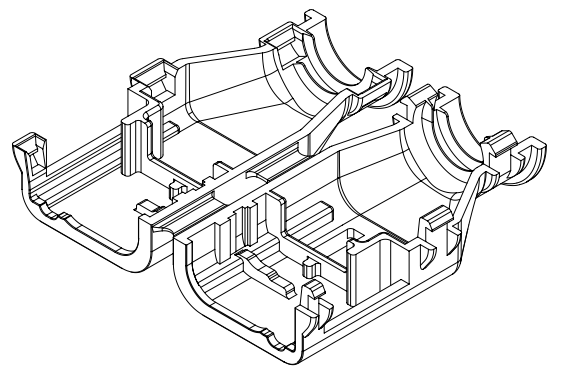
2. DESIGN - MATERIALS:
- a. PA66 0% GLASS FILLED
 - b. BLACK

3. DESIGN GEOMETRY:
- a. THIS IS A 100% CAD GENERATED PART. THE CAD MATHEMATICAL DATA IS THE MASTER FOR THIS PART. FOR DIMENSIONAL OR ANY INFORMATION NOT SHOWN ON THIS DRAWING, ANALYZE THE CAD MODEL.
 - b. GEOMETRIC DIMENSIONS AND TOLERANCES PER ASME Y14.5M - 2009.
 - c. CORNERS SHOWN AS SHARP TO BE R 0.1.
 - d. VISUAL DEFECTS SHALL MEET COSMETIC STANDARD PS-45499-002 (CLASS C).
 - e. ALLOWABLE FLASH, PARTING LINES MISMATCH, EJECTOR PINS MARK, AND GATE VESTIGE TO BE +0.30 MAX PROTUSION.

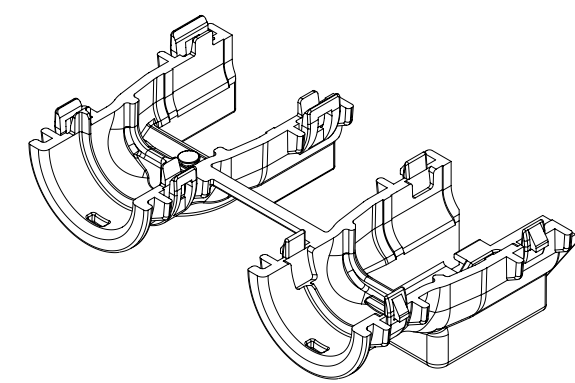
BILL OF MATERIALS (BOM)								
DESCRIPTION	PART NUMBER	CIRCUIT SIZE	COLOR	RIBS	CONVOLUTE SIZE	PACKAGING DRAWING NUMBER	STATUS	MANUFACTURER
2X3, WITH RIB	34951-0610	2X3	BLACK	YES	9 mm DELPHI	PK-31302-118	SALEABLE	OUTSOURCED MFG
2X3, WITHOUT RIB	34951-0620	2X3	BLACK	NO	9 mm DELPHI	PK-31302-118	SALEABLE	OUTSOURCED MFG
2X4, WITH RIB	34951-0811	2X4	BLACK	YES	NW 12 SCHLEMMER	349509000 PDD	SALEABLE	MOLEX
2X4, WITHOUT RIB	34951-0821	2X4	BLACK	NO	NW 12 SCHLEMMER	349509000 PDD	SALEABLE	MOLEX
2X6, WITH RIB	34951-1210	2X6	BLACK	YES	13 mm DELPHI	PK-31302-118	SALEABLE	OUTSOURCED MFG
2X6, WITHOUT RIB	34951-1220	2X6	BLACK	NO	13 mm DELPHI	PK-31302-118	SALEABLE	OUTSOURCED MFG
2X8, WITH RIB	34951-1611	2X8	BLACK	YES	NW 16 SCHLEMMER	349509000 PDD	SALEABLE	MOLEX
2X8, WITHOUT RIB	34951-1621	2X8	BLACK	NO	NW 16 SCHLEMMER	349509000 PDD	SALEABLE	MOLEX
2X10, WITH RIB	34951-2011	2X10	BLACK	YES	NW 16 SCHLEMMER	349509000 PDD	SALEABLE	MOLEX
2X10, WITHOUT RIB	34951-2021	2X10	BLACK	NO	NW 16 SCHLEMMER	349509000 PDD	SALEABLE	MOLEX



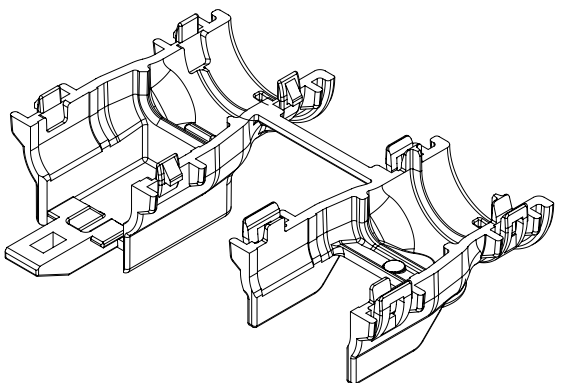
2X3 RECEPTACLE



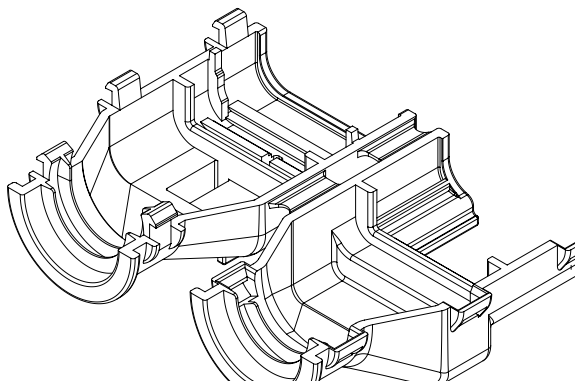
2X4 RECEPTACLE



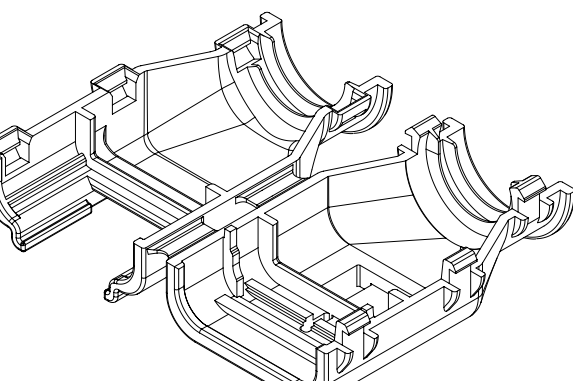
2X6 RECEPTACLE



2X8 RECEPTACLE



2X10 RECEPTACLE



B10	ADDED BALLOON NUMBER TO PAGE 3 -SCHLEMMER PAGE
B9	CHANGED PARTS STATUS TO SALEABLE
B8	ADDED BALLOON NO. 90
B7	UPDATED BALLOON NUMBERS
B6	UPDATED RIB AND WEDGE FEATURES
B3	UPDATED TOLERANCES
B2	ADDED BALLOONS & UPDATED BOM
B1	ADDED MOLEX PART NUMBERS
B	MIGRATION
A6	UPDATED BILL OF MATERIALS
A5	UPDATED STATUS COLUMN
A4	MINOR NOMENCLATURE CLEAN UP
A3	UPDATED VIEWSET & NOTES
A2	UPDATED REFERENCE DRAWINGS
A1	UPDATED NOTES
A	INITIAL RELEASE
REV	REV DESCRIPTION

INSPECTION NUMBER LOG	
LAST NUMBER:	1 - 5
ADDED:	40 42 44 46 48 49 89 90
REMOVED:	40 44

THIS DRAWING CONTAINS INFORMATION THAT IS PROPRIETARY TO MOLEX ELECTRONIC TECHNOLOGIES, LLC AND SHOULD NOT BE USED WITHOUT WRITTEN PERMISSION

EC NO: 632862 DRWN: PPALLAN CHKD: MVANSLAMBROU APPR: MVANSLAMBROU	2020/02/20 2020/02/26 2020/02/26	GENERAL TOLERANCES (UNLESS SPECIFIED) DIMENSION UNITS: mm SCALE: 1:1 DRWN BY: DAHALL DATE: 2013/03/27 CHK'D BY: [blank] DATE: [blank]	<p>MX150 DUAL ROW RECPT BACKSHELLS</p> <p>PRODUCT CUSTOMER DRAWING</p>
	4 PLACES ± 3 PLACES ± 2 PLACES ± 0.1 1 PLACE ± 0.2 0 PLACES ±	APPR BY: VKOSHY DATE: 2013/04/08	
	DRAFT WHERE APPLICABLE MUST REMAIN WITHIN DIMENSIONS	DRAWING SIZE: A1 THIRD ANGLE PROJECTION	
	SERIES: 34951 MATERIAL NUMBER: [blank] CUSTOMER: GENERAL MARKET		
B10		DOCUMENT NUMBER: SD-34951-0001 DOC TYPE: PSD DOC PART: 001 SHEET NUMBER: 1 OF 4	

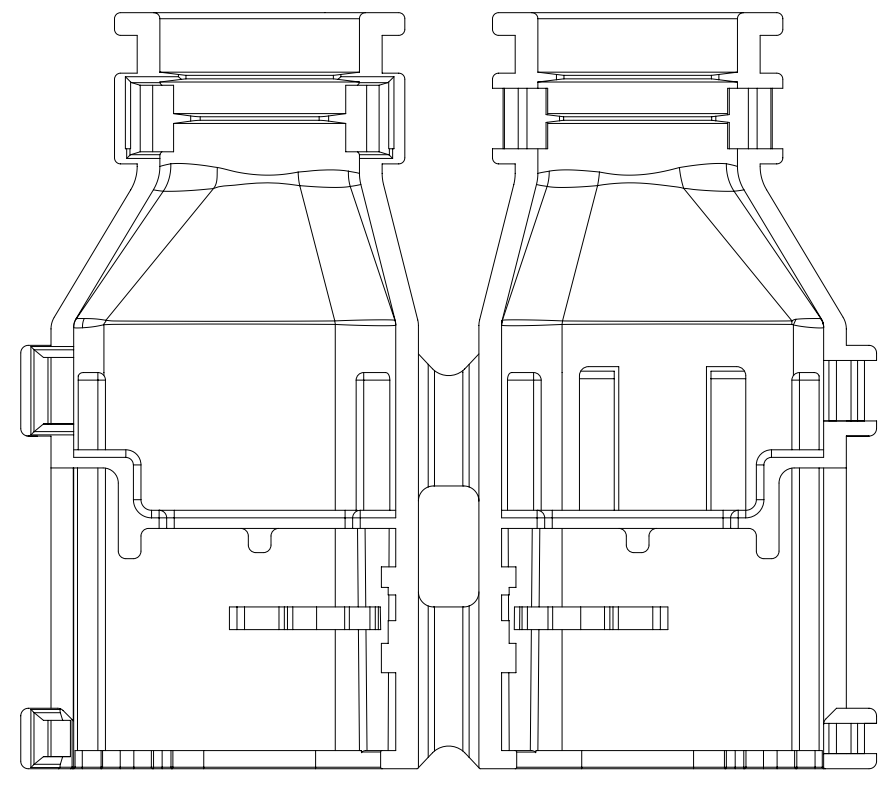
SHEET DESCRIPTION
CONFIGURATIONS

WITH RIB

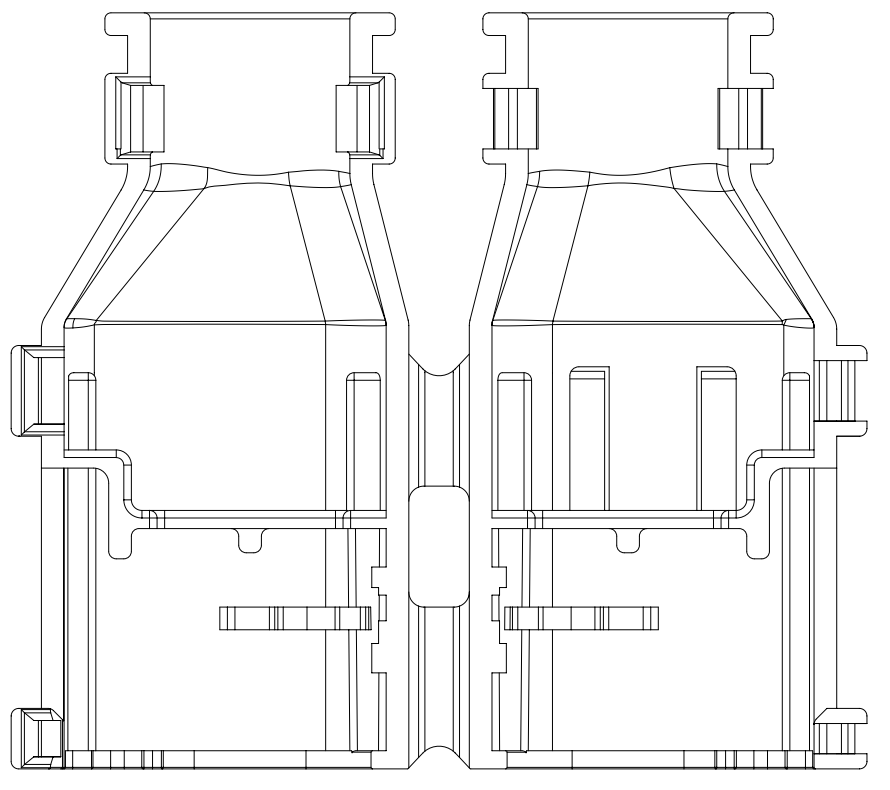
WITHOUT RIB

WITH RIB

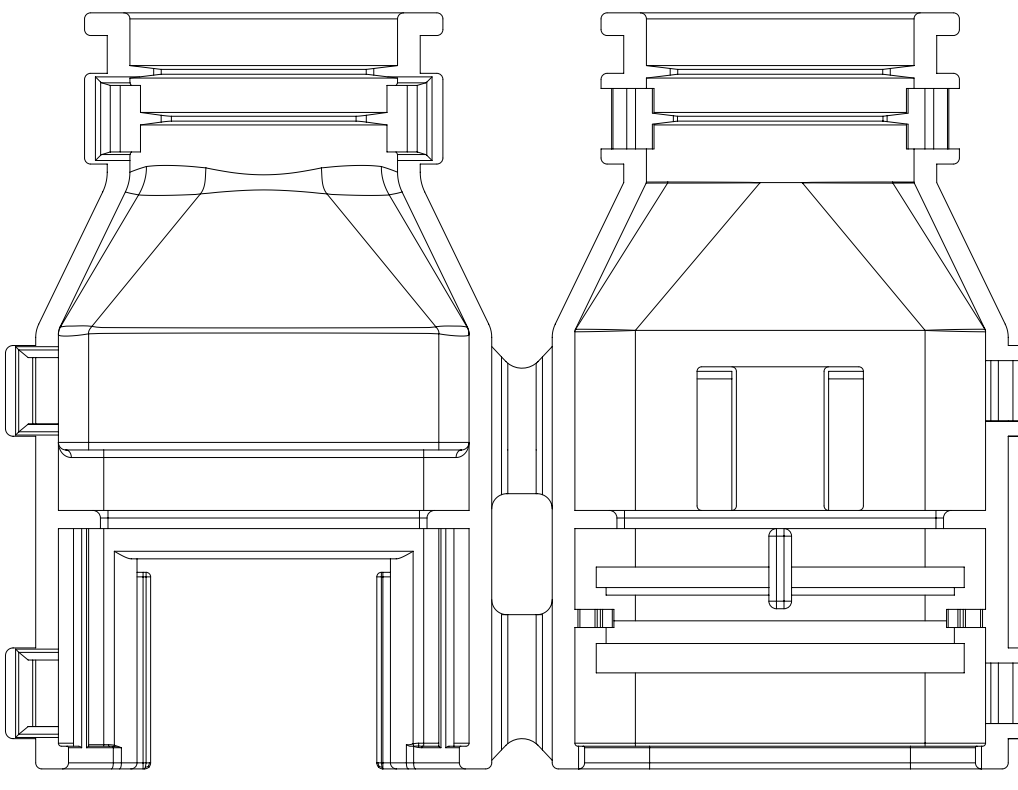
WITHOUT RIB



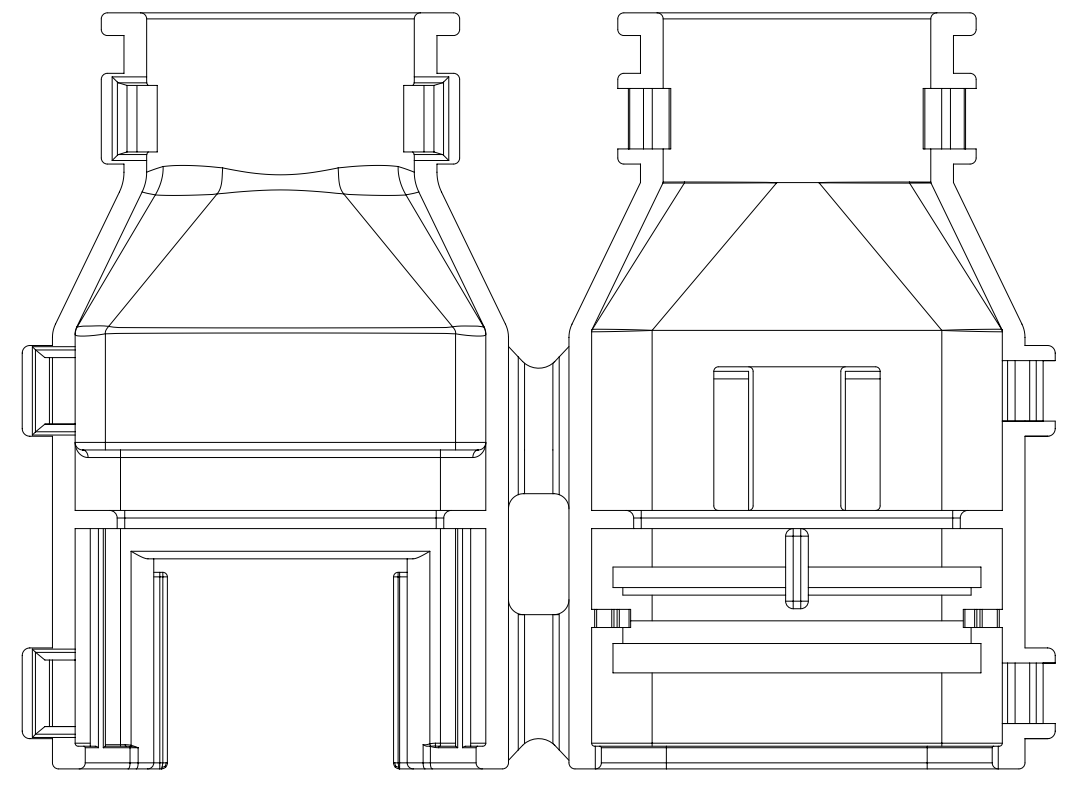
2X3
SCHLEMMER



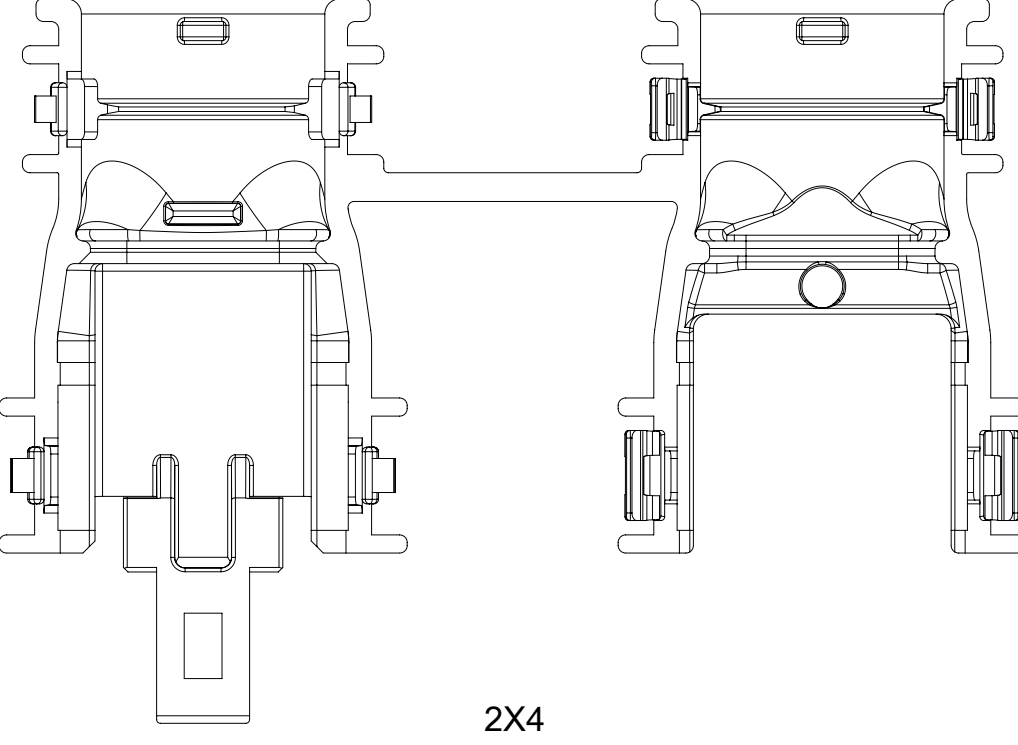
2X3
SCHLEMMER



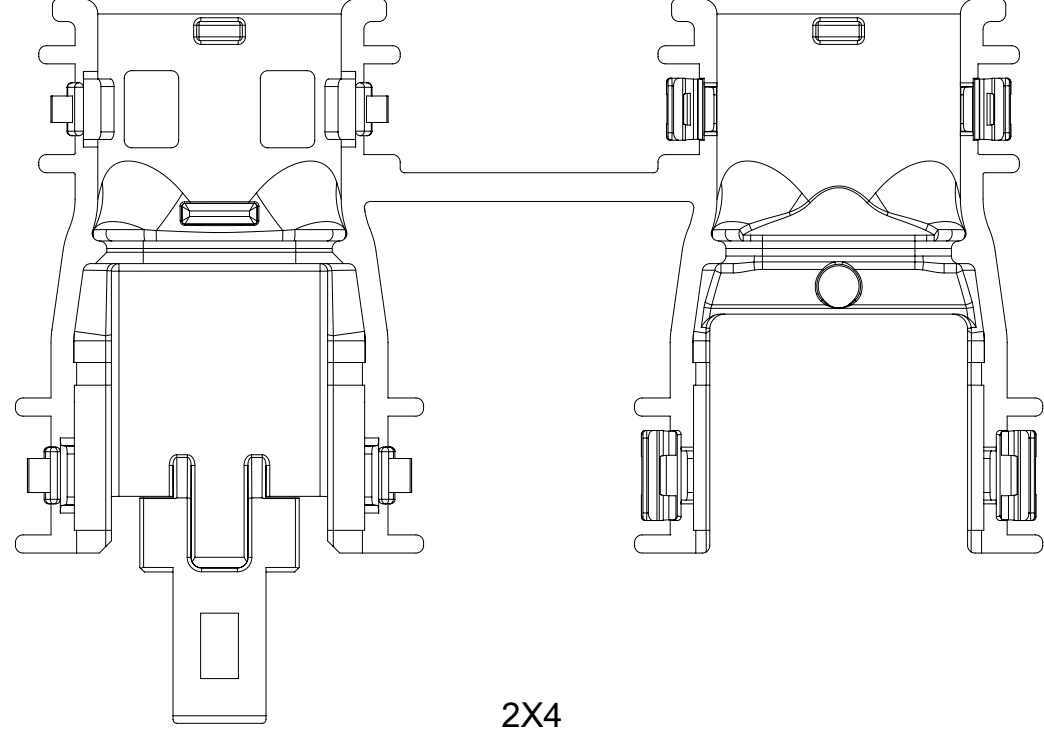
2X6
SCHLEMMER



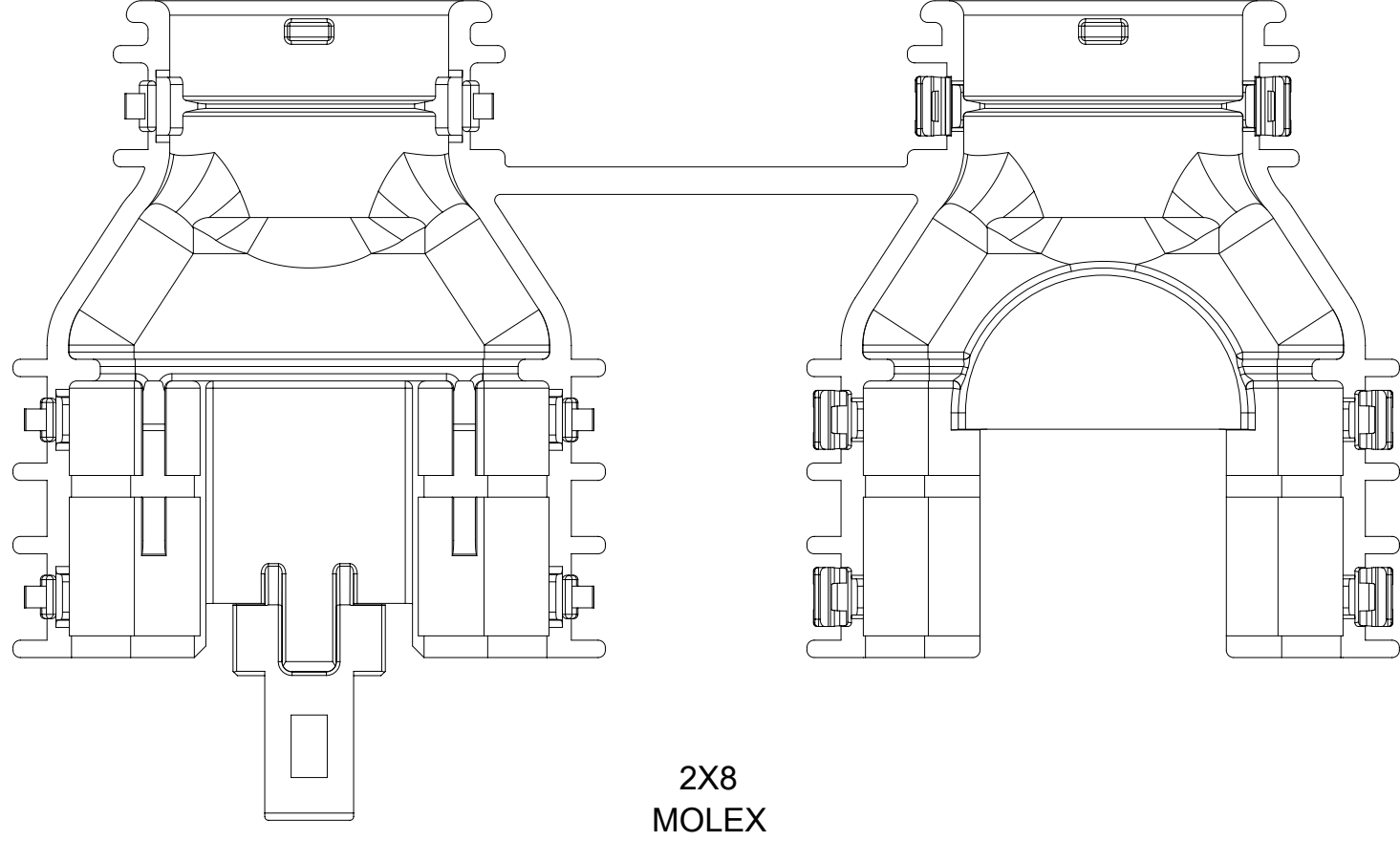
2X6
SCHLEMMER



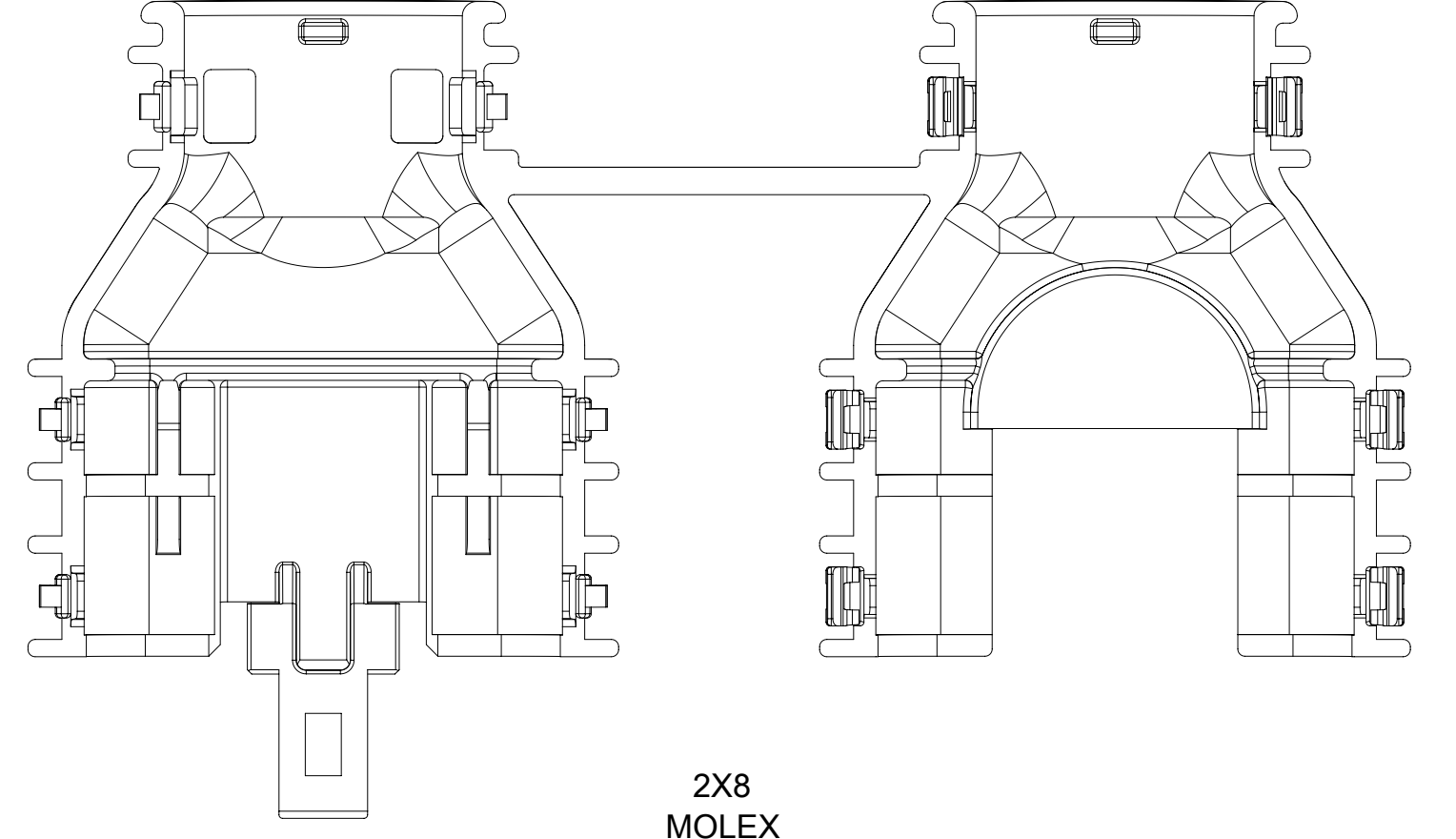
2X4
MOLEX



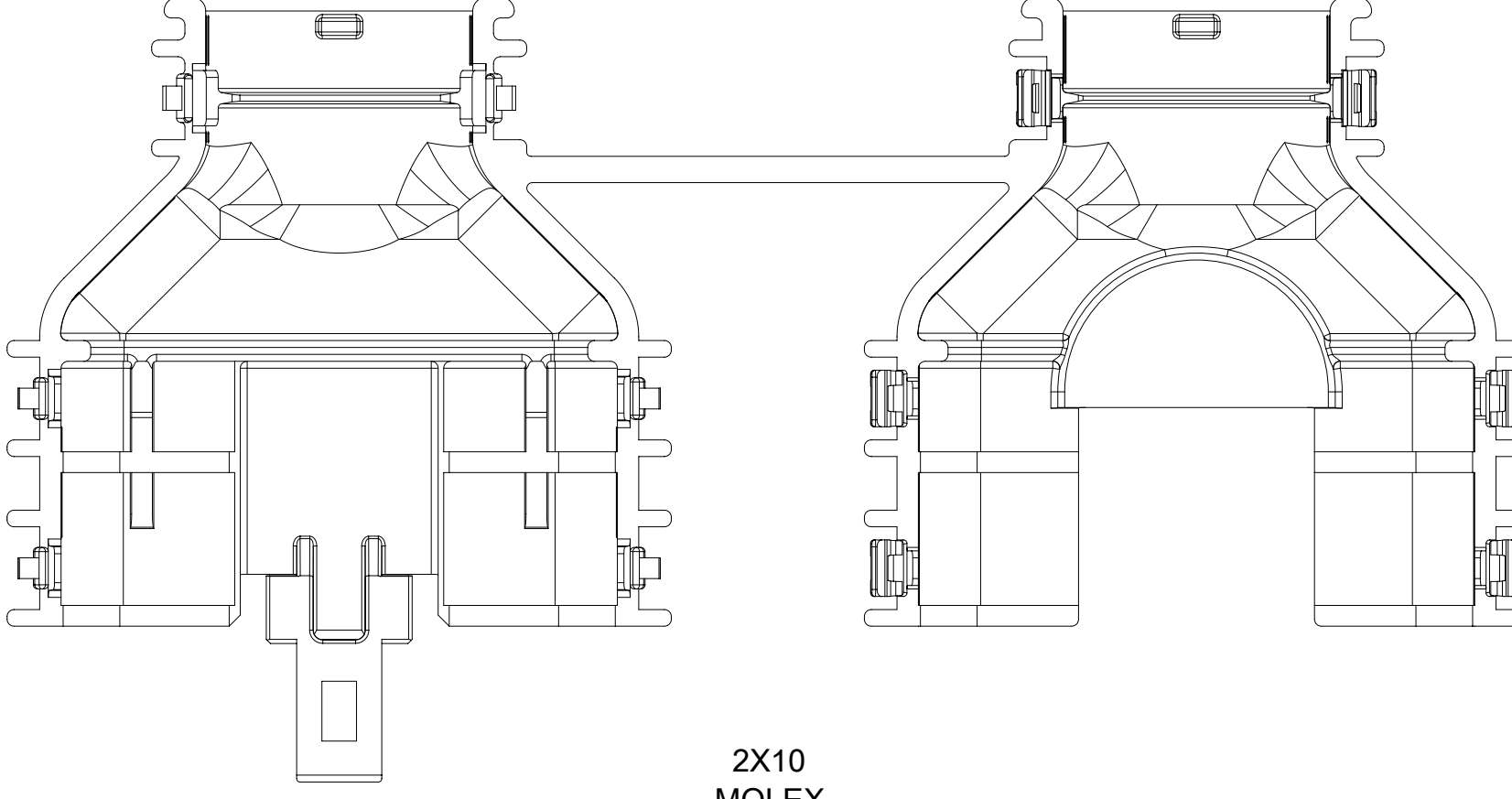
2X4
MOLEX



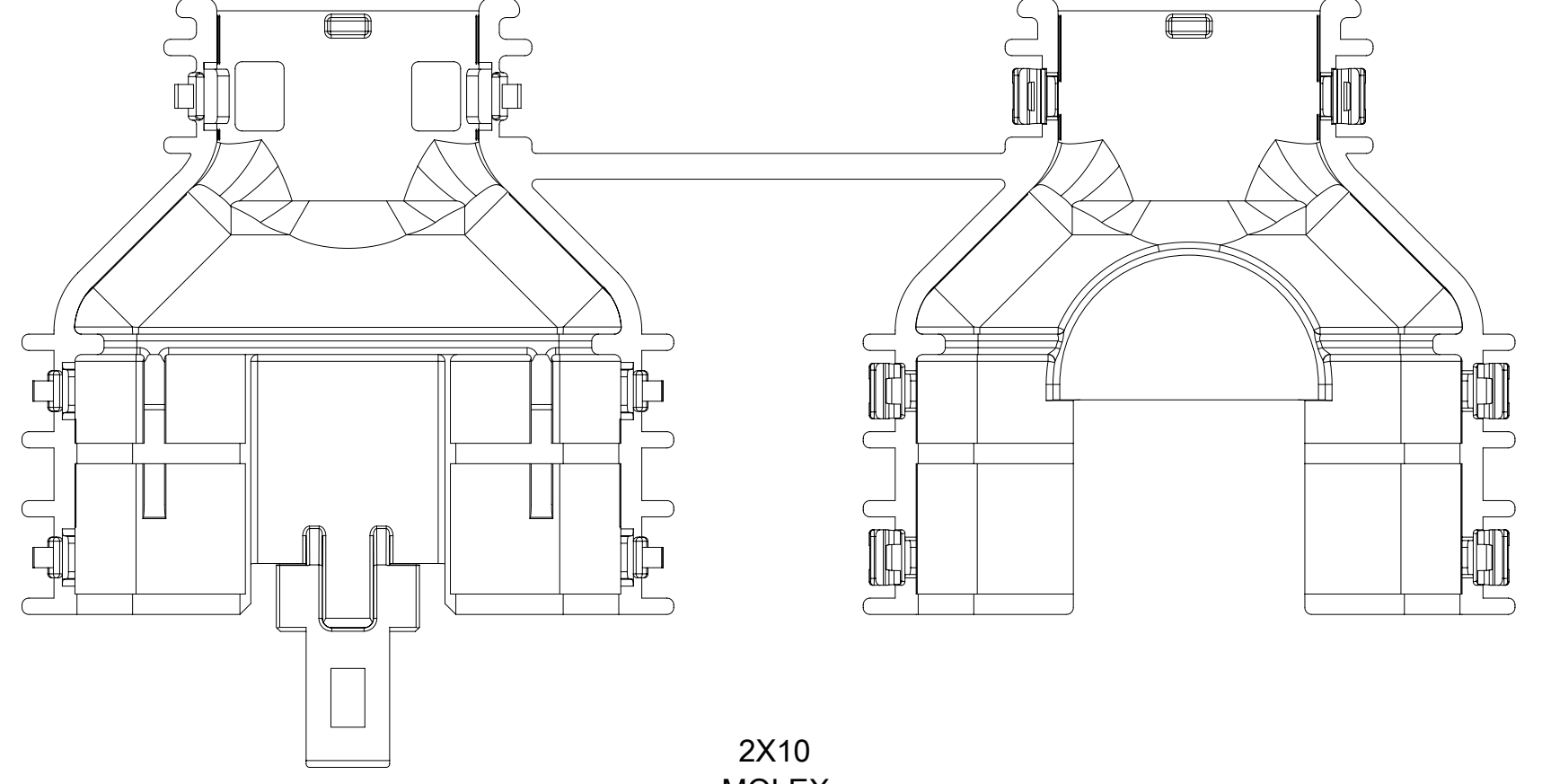
2X8
MOLEX



2X8
MOLEX



2X10
MOLEX



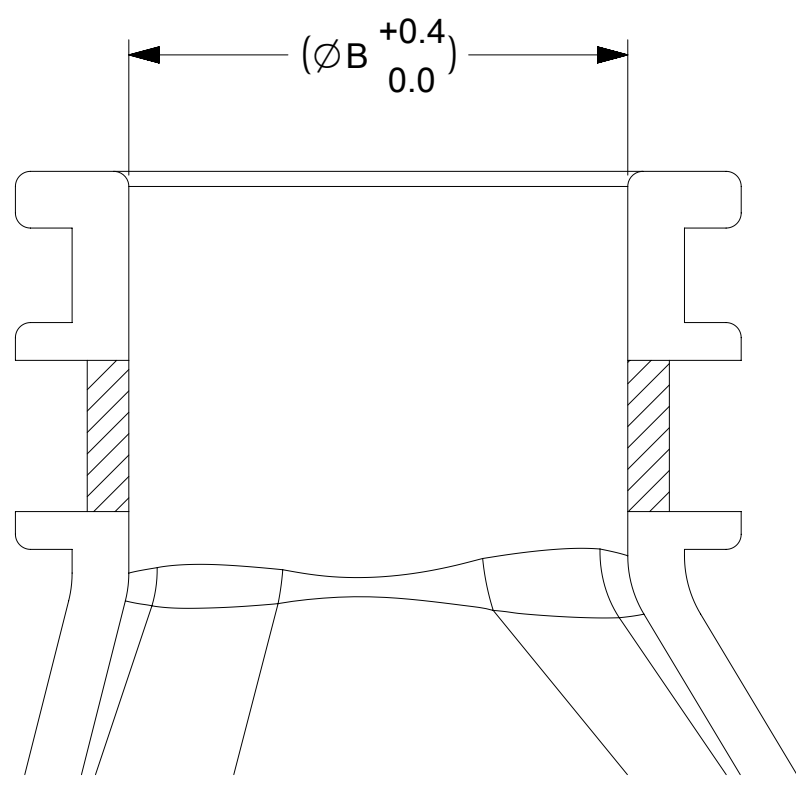
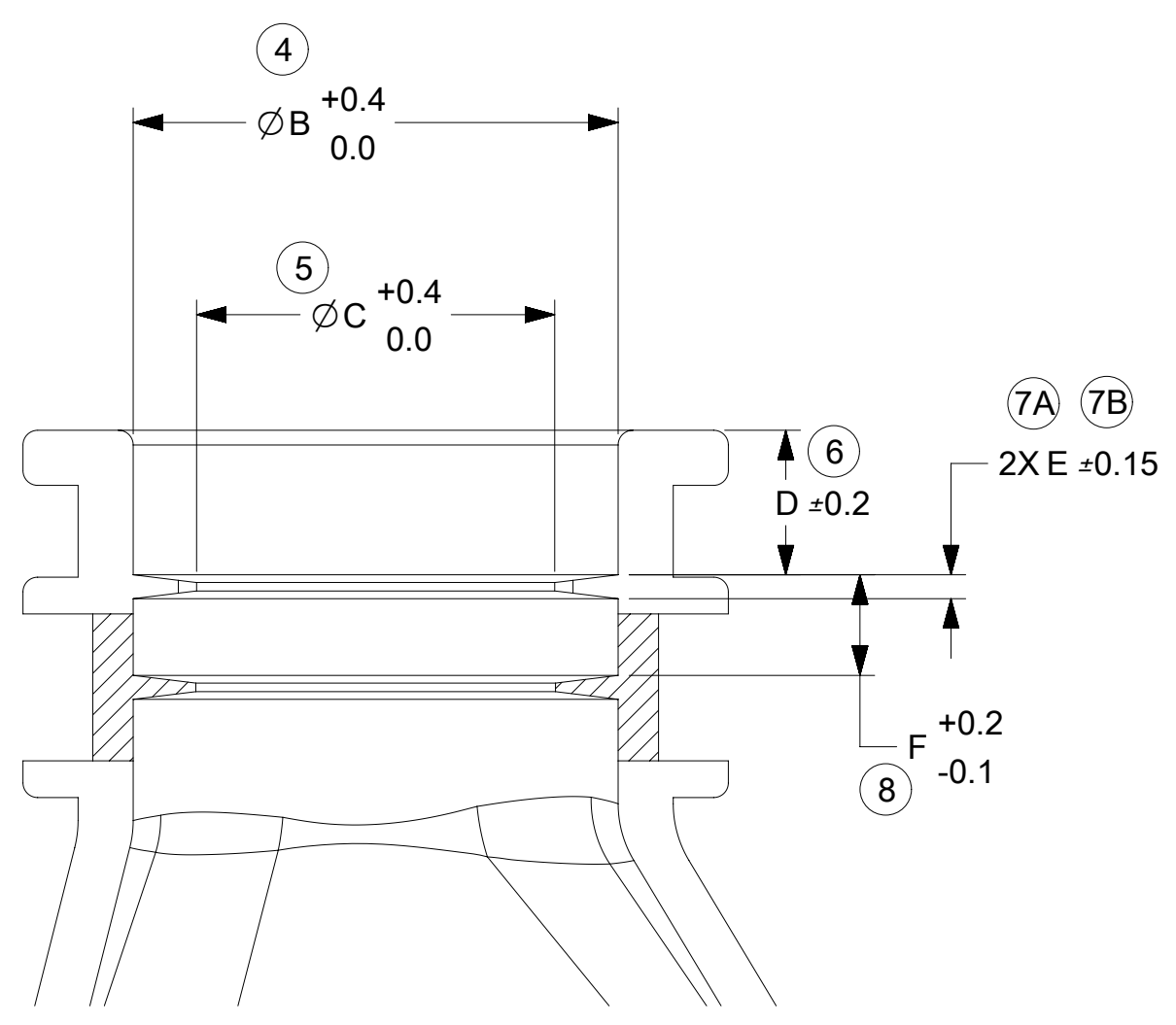
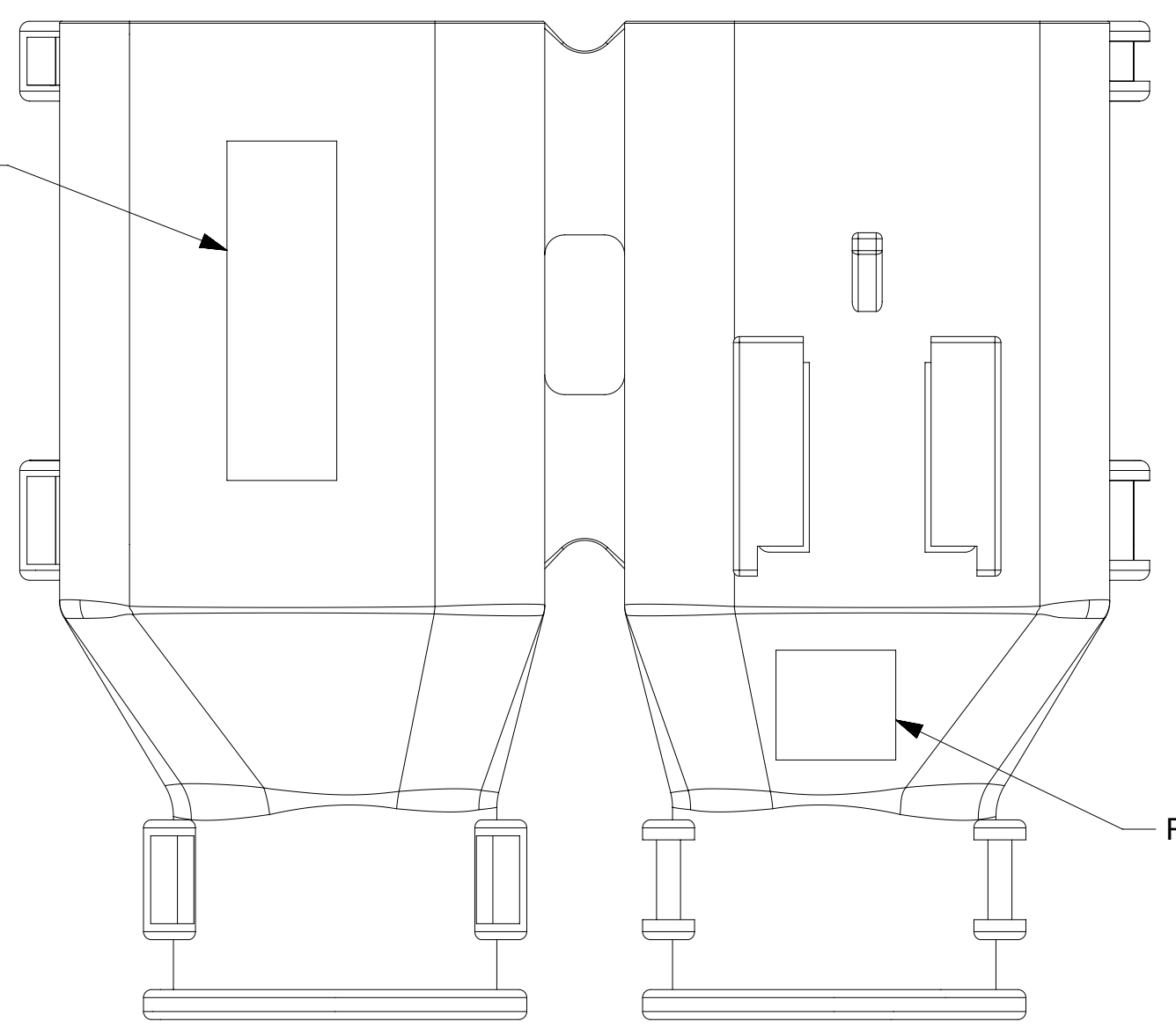
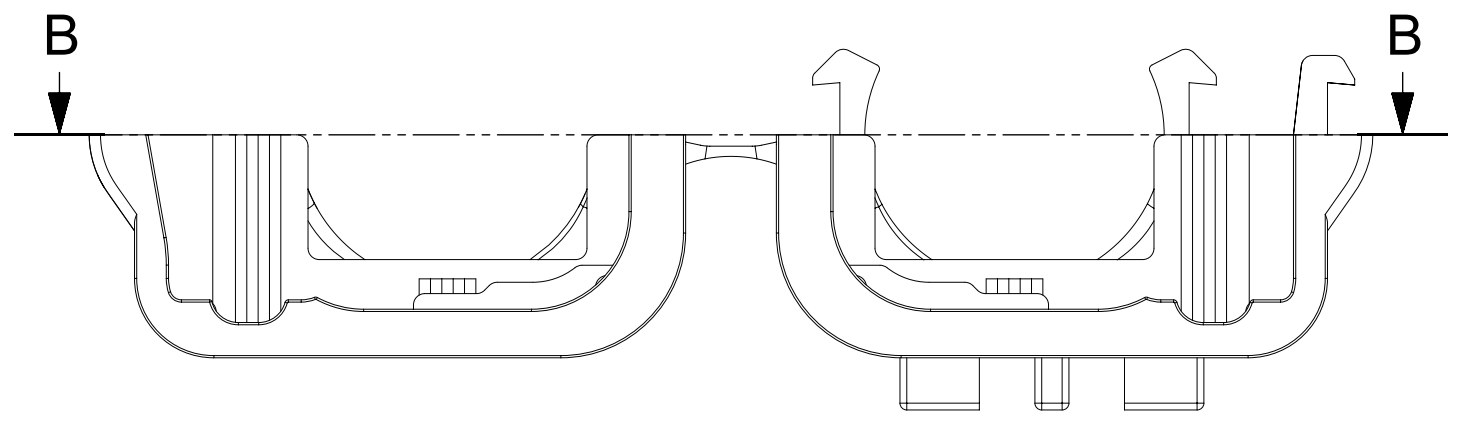
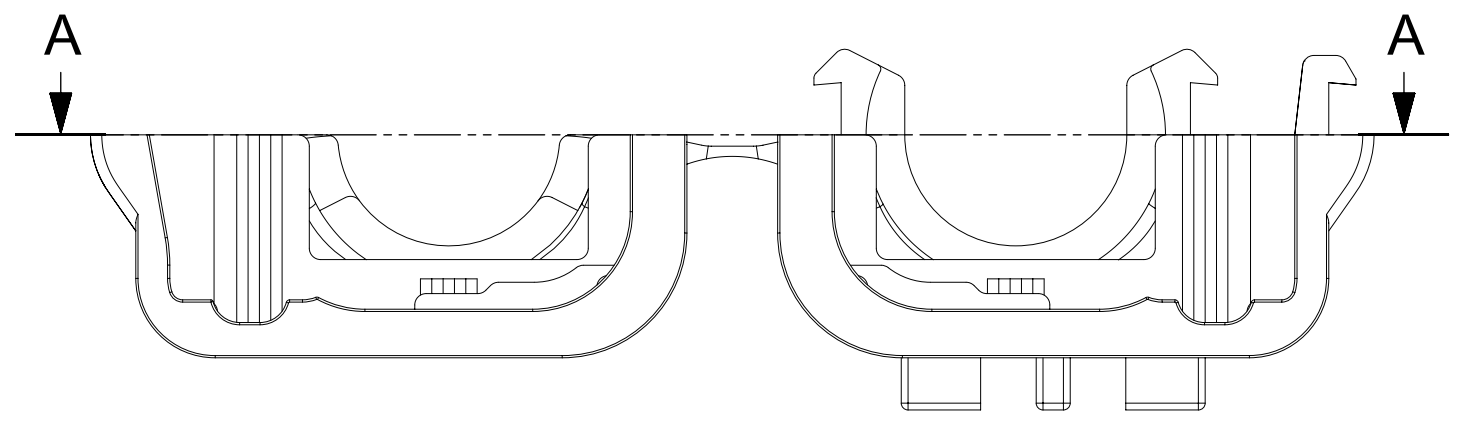
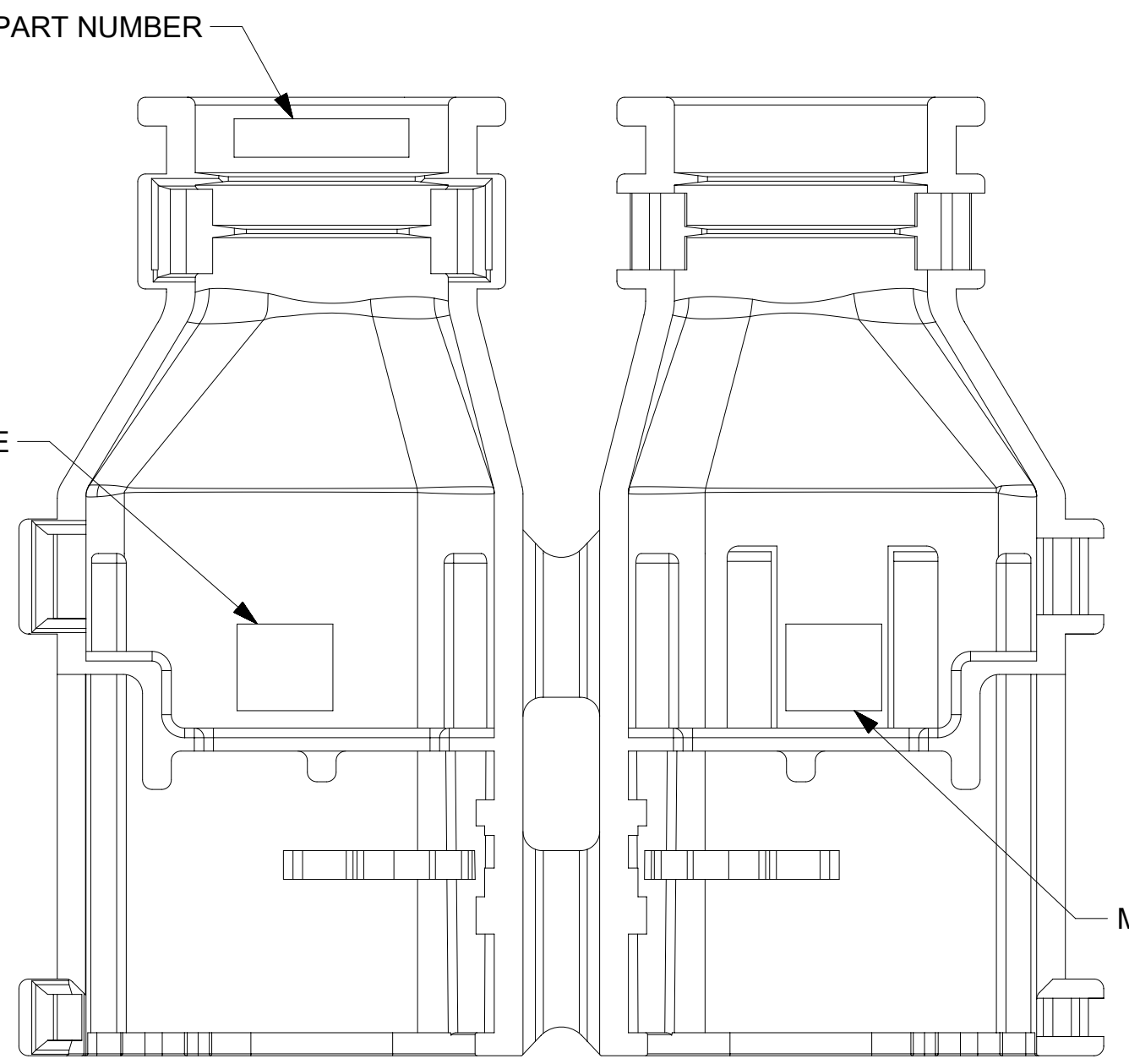
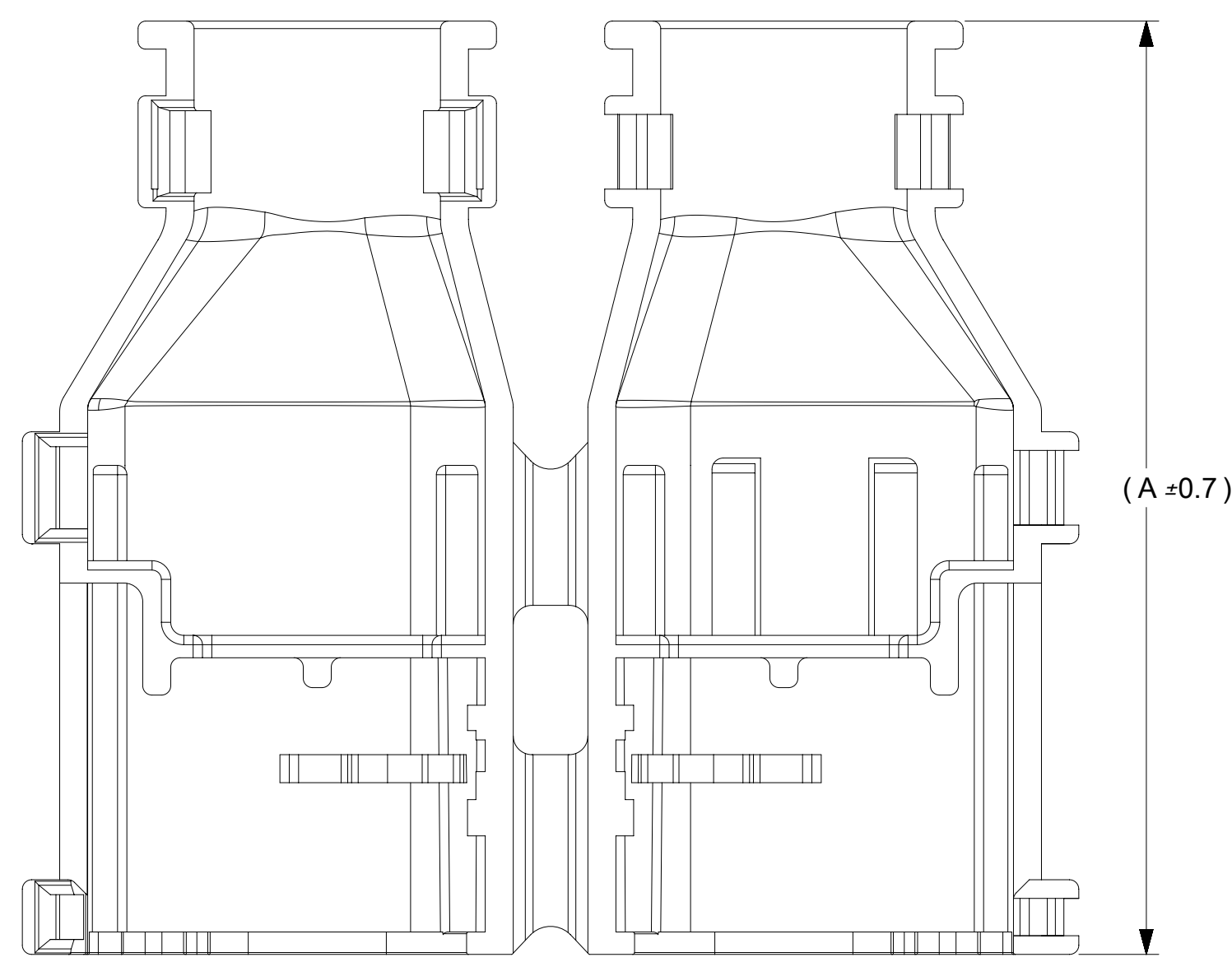
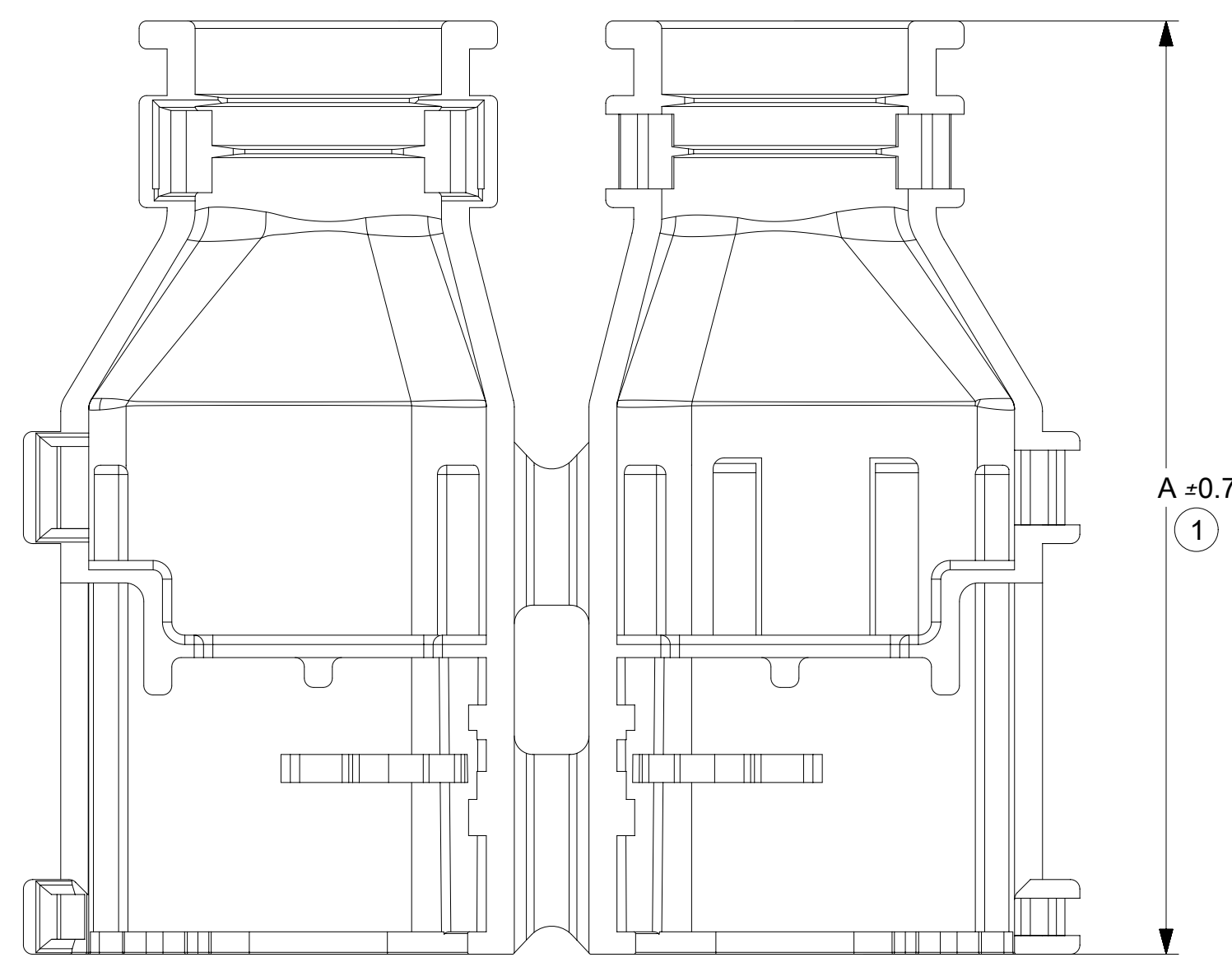
2X10
MOLEX

THIS DRAWING CONTAINS INFORMATION THAT IS PROPRIETARY TO MOLEX ELECTRONIC TECHNOLOGIES, LLC AND SHOULD NOT BE USED WITHOUT WRITTEN PERMISSION

EC NO: 632862 DRWN: PPALLAN CHKD: MVANSLAMBROU APPR: MVANSLAMBROU	2020/02/20	GENERAL TOLERANCES (UNLESS SPECIFIED)	DIMENSION UNITS	SCALE	
	2020/02/26	ANGULAR TOL ± 3.0 °	mm	2:1	
	2020/02/26	4 PLACES ±	DRWN BY	DATE	
		3 PLACES ±	DAHALL	2013/03/27	
		2 PLACES ± 0.1	CHK'D BY	DATE	
	1 PLACE ± 0.2	APPR BY	DATE		
	0 PLACES ±	VKOSHY	2013/04/08		
	DRAFT WHERE APPLICABLE MUST REMAIN WITHIN DIMENSIONS	DRAWING SIZE	THIRD ANGLE PROJECTION		
		A1			
					SERIES
					34951
					MATERIAL NUMBER
					SD-34951-0001
					CUSTOMER
					GENERAL MARKET
					DOCUMENT NUMBER
					PSD
					DOC PART SHEET NUMBER
					001 2 OF 4

SHEET DESCRIPTION
SCHLEMMER BACKSHELL DETAIL

DESCRIPTION	CHARTED DIMENSION					
	A	B	C	D	E	F
2X3, WITH RIB	50.00	13.20	9.75	3.93	0.65	2.74
2X3, WITHOUT RIB	50.00	13.20	N/A	N/A	N/A	N/A
2X4, WITH RIB	TBD	TBD	TBD	TBD	TBD	TBD
2X4, WITHOUT RIB	TBD	TBD	TBD	TBD	TBD	TBD
2X6, WITH RIB	50.00	17.70	13.60	3.50	0.83	3.10
2X6, WITHOUT RIB	50.00	17.70	N/A	N/A	N/A	N/A



PARTIAL SECTION A-A
SCALE 5:1
WITH RIBS

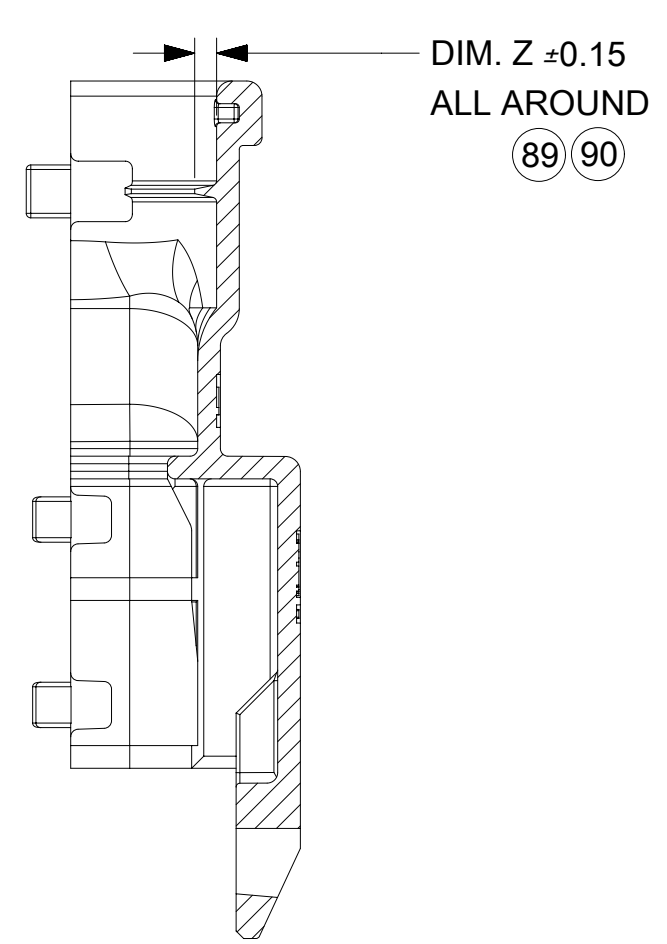
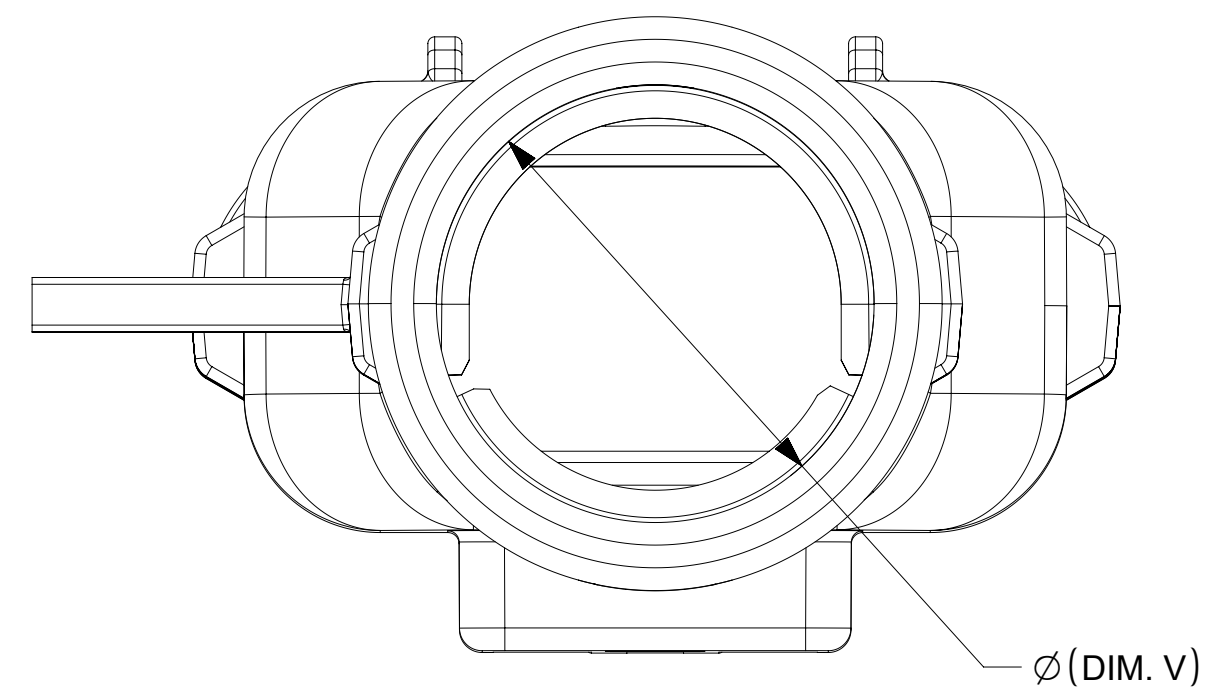
PARTIAL SECTION B-B
SCALE 5:1
WITHOUT RIBS

THIS DRAWING CONTAINS INFORMATION THAT IS PROPRIETARY TO MOLEX ELECTRONIC TECHNOLOGIES, LLC AND SHOULD NOT BE USED WITHOUT WRITTEN PERMISSION

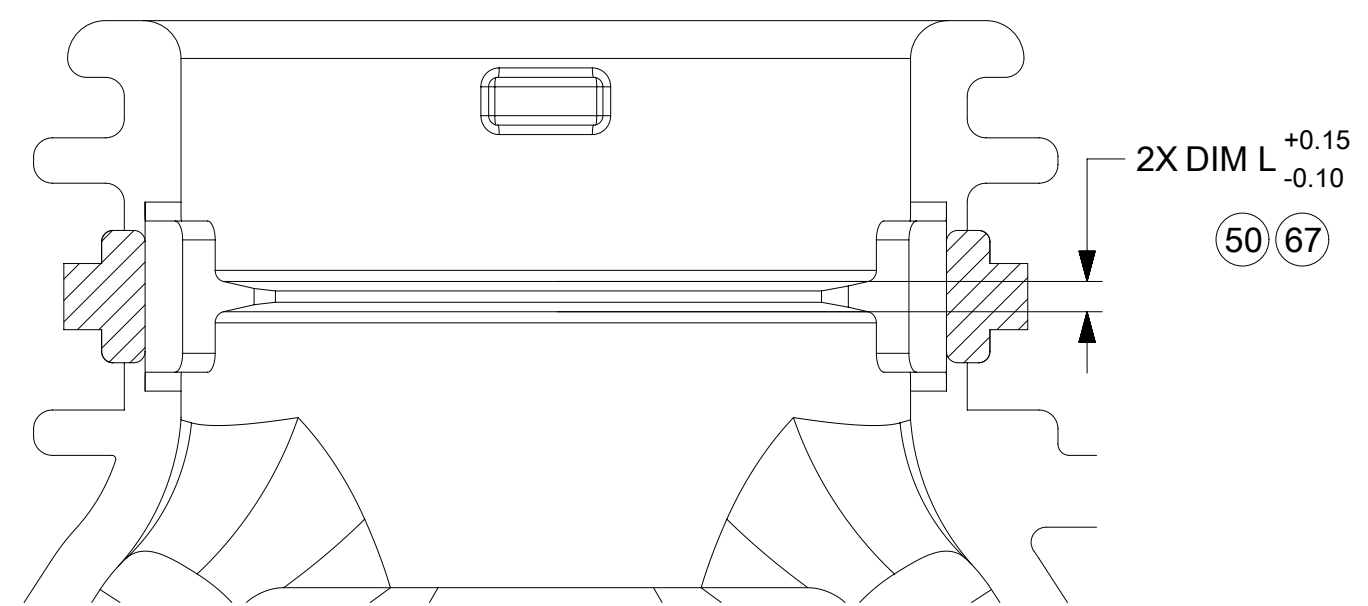
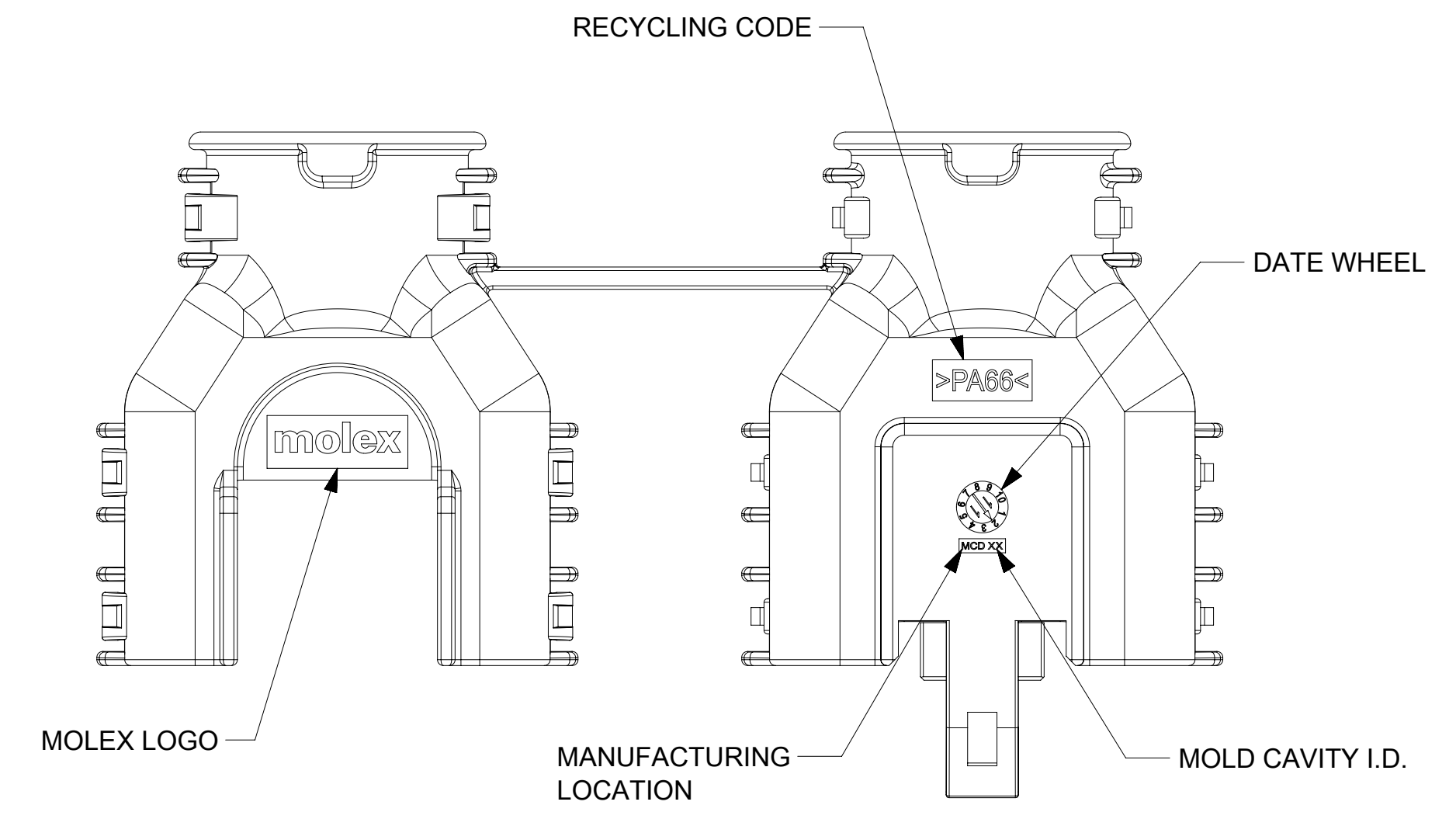
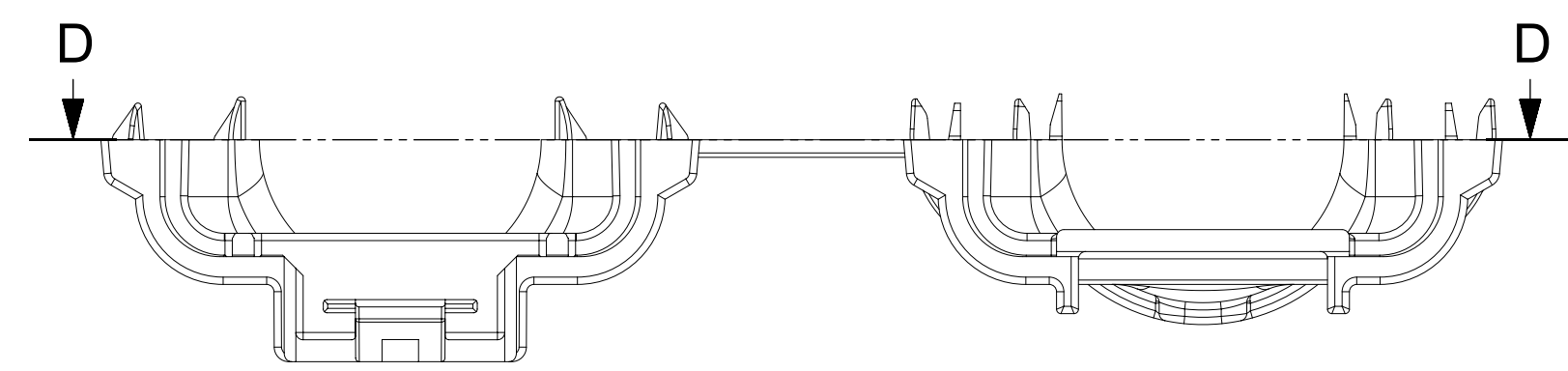
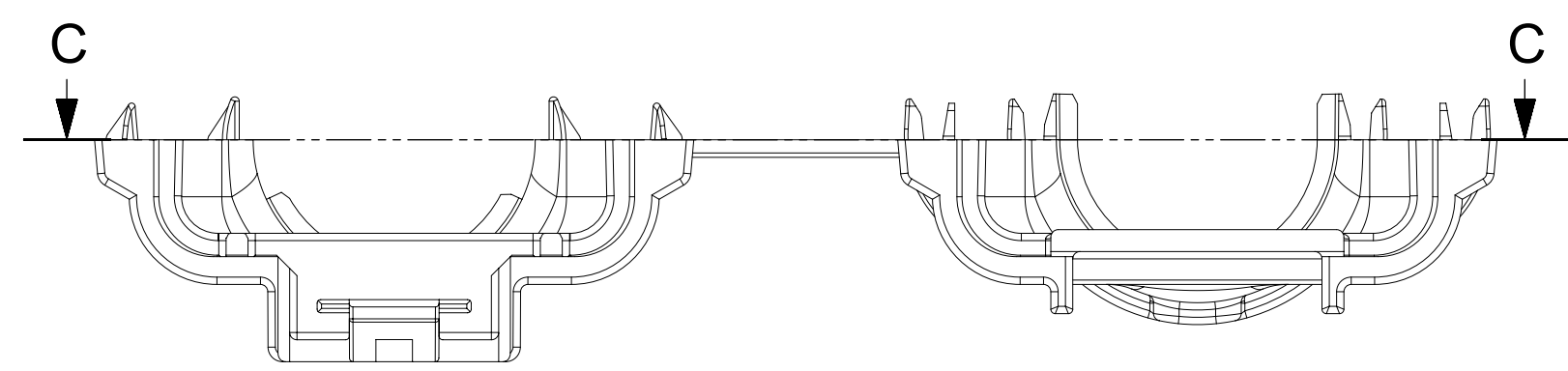
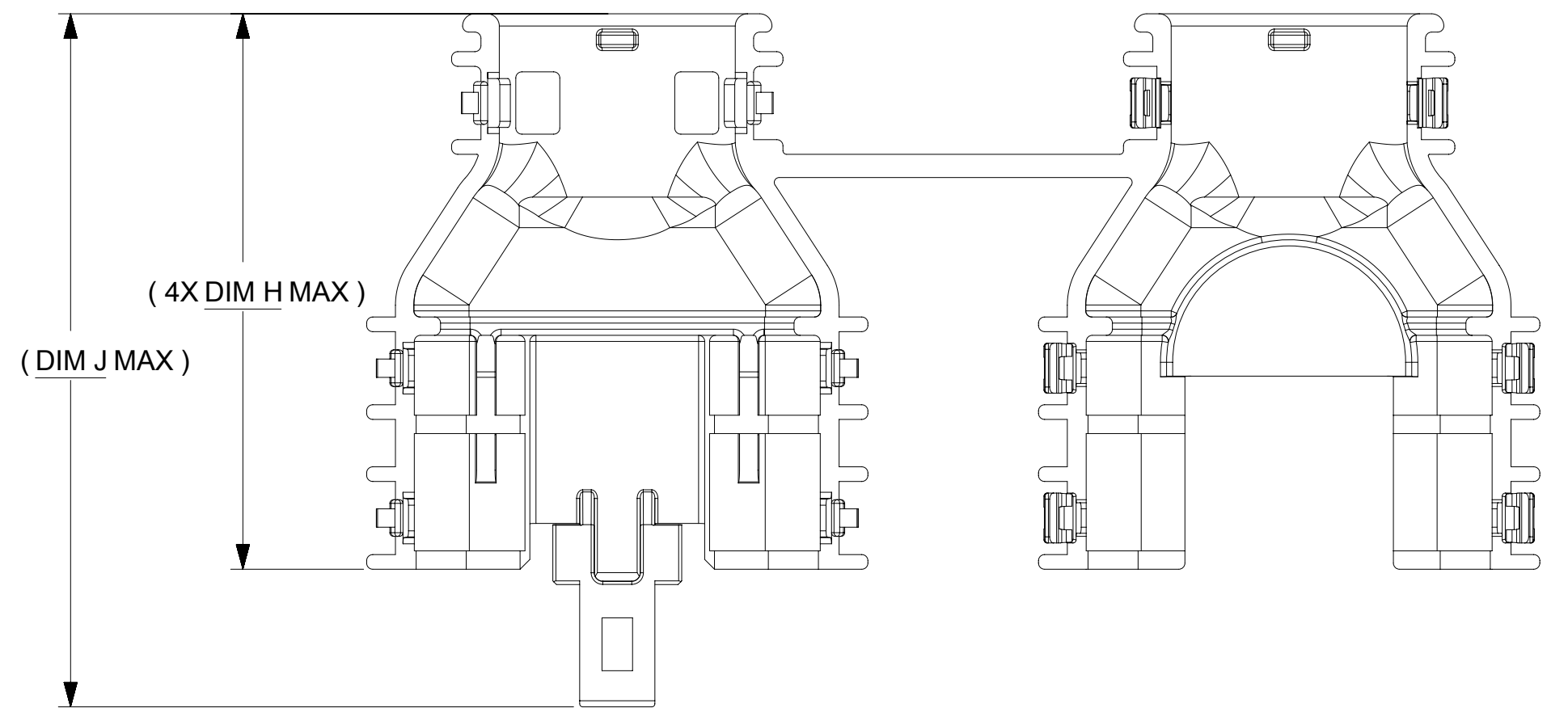
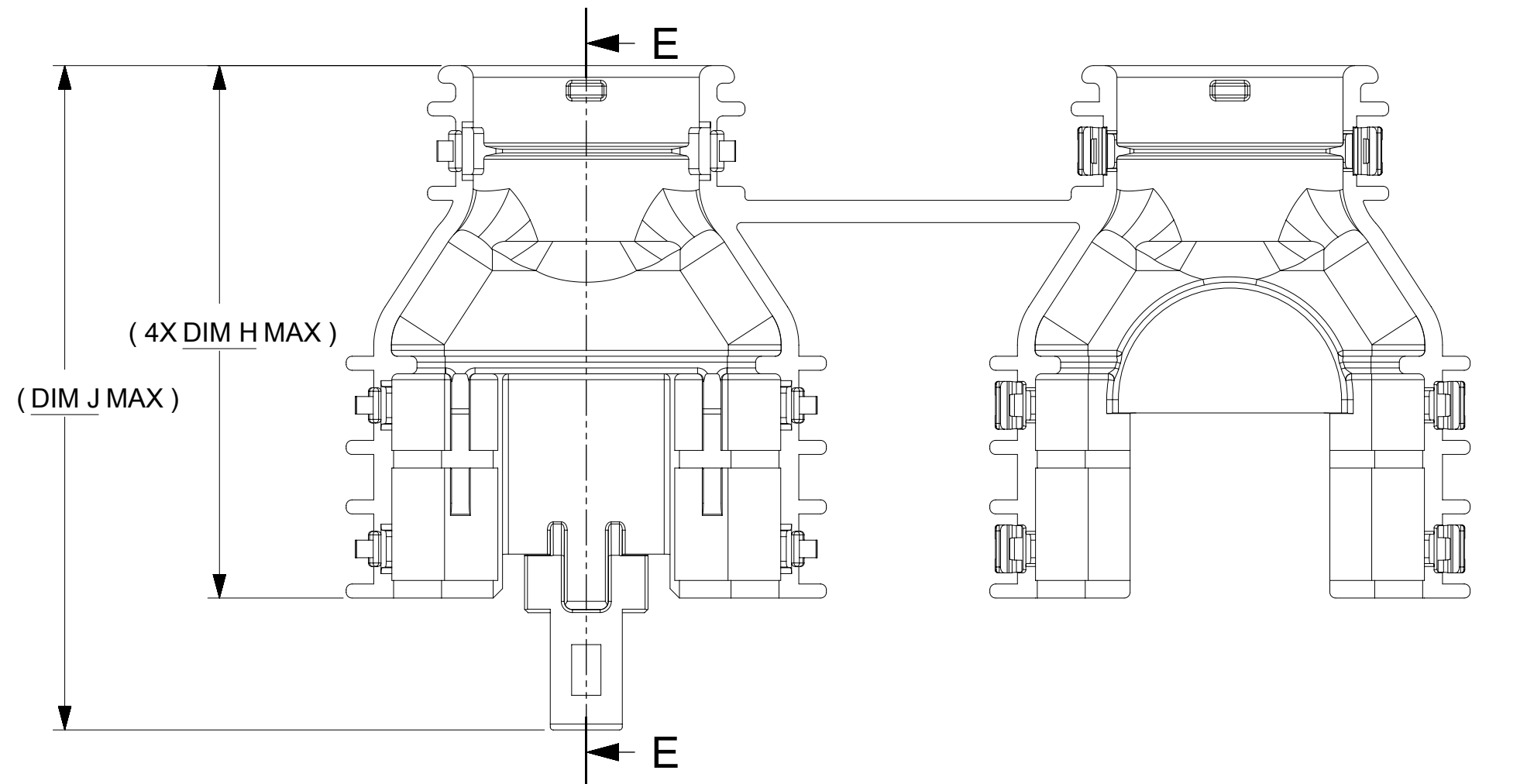
EC NO: 632862 DRWN: PPALLAN CHKD: MVANSLAMBROU APPR: MVANSLAMBROU	2020/02/20 2020/02/26 2020/02/26	GENERAL TOLERANCES (UNLESS SPECIFIED) mm ANGULAR TOL ± 3.0 °	DIMENSION UNITS: mm SCALE: 3:1	
	4 PLACES ± 3 PLACES ± 2 PLACES ± 0.1 1 PLACE ± 0.2 0 PLACES ±	DRWN BY: DAHALL DATE: 2013/03/27	CHK'D BY: [blank] DATE: [blank]	
	DRAFT WHERE APPLICABLE MUST REMAIN WITHIN DIMENSIONS	APPR BY: VKOSHY DATE: 2013/04/08	DRAWING SIZE: A1 THIRD ANGLE PROJECTION	PRODUCT CUSTOMER DRAWING
	B10	REV: [blank]	SERIES: 34951 MATERIAL NUMBER: [blank] CUSTOMER: GENERAL MARKET	DOCUMENT NUMBER: SD-34951-0001 DOC TYPE: PSD DOC PART: 001 SHEET NUMBER: 3 OF 4

SHEET DESCRIPTION
MOLEX BACKSHELL DETAIL

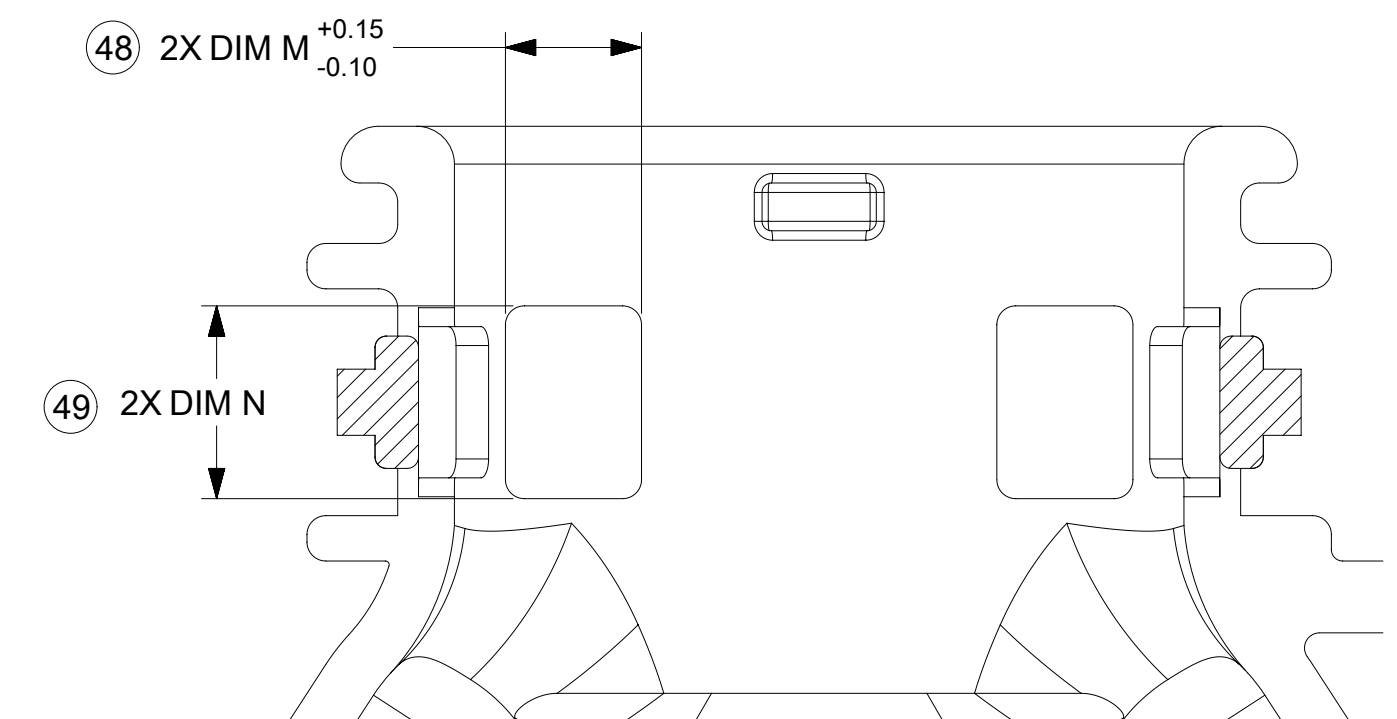
DESCRIPTION	CHARTED DIMENSION							
	V	H	J	K	L	M	N	Z
2X4, WITH RIB	16.10	36.80	48.11	16.10	0.80	N/A	N/A	1.35
2X4, WITHOUT RIB	16.10	36.80	48.11	16.10	N/A	3.60	5.10	N/A
2X8, WITH RIB	19.30	45.60	56.91	19.30	0.80	N/A	N/A	1.45
2X8, WITHOUT RIB	19.30	45.60	56.91	19.30	N/A	3.60	5.10	N/A
2X10, WITH RIB	19.30	45.60	56.91	19.30	0.80	N/A	N/A	1.45
2X10, WITHOUT RIB	19.30	45.60	56.91	19.30	N/A	3.60	5.10	N/A



SECTION E-E



PARTIAL SECTION C-C
SCALE 5:1
WITH RIBS



PARTIAL SECTION D-D
SCALE 5:1
WITHOUT RIBS

THIS DRAWING CONTAINS INFORMATION THAT IS PROPRIETARY TO MOLEX ELECTRONIC TECHNOLOGIES, LLC AND SHOULD NOT BE USED WITHOUT WRITTEN PERMISSION

EC NO: 632862 DRWN: PPALLAN CHKD: MVANSLAMBROU APPR: MVANSLAMBROU	2020/02/20	GENERAL TOLERANCES (UNLESS SPECIFIED) ANGULAR TOL $\pm 3.0^\circ$	DIMENSION UNITS	SCALE		
	2020/02/26		mm	2:1		
	2020/02/26	4 PLACES \pm	DRWN BY	DATE		MX150 DUAL ROW RECPT BACKSHELLS
		3 PLACES \pm	DAHALL	2013/03/27		
		2 PLACES ± 0.1	CHK'D BY	DATE		PRODUCT CUSTOMER DRAWING
	1 PLACE ± 0.2	VKOSHY	2013/04/08			
	0 PLACES \pm	APPR BY	DATE	SERIES	MATERIAL NUMBER	CUSTOMER
	DRAFT WHERE APPLICABLE MUST REMAIN WITHIN DIMENSIONS			34951		GENERAL MARKET
		DRAWING SIZE	THIRD ANGLE PROJECTION	DOCUMENT NUMBER	DOC TYPE	DOC PART SHEET NUMBER
		A1		SD-34951-0001	PSD	001 4 OF 4