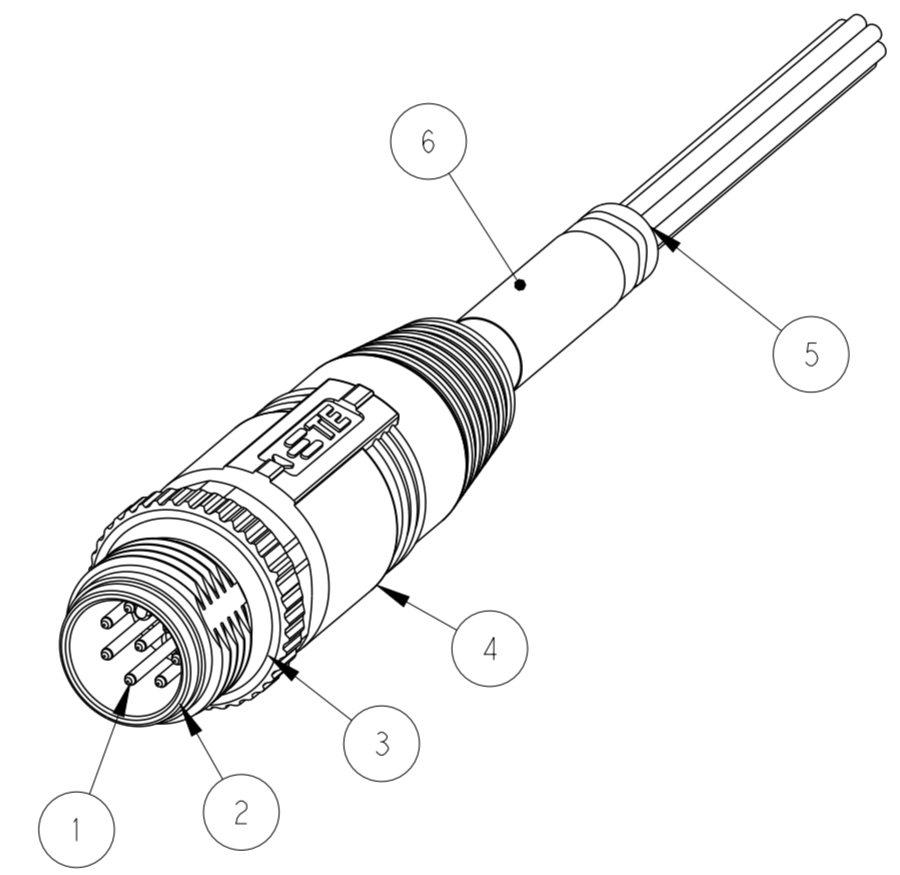
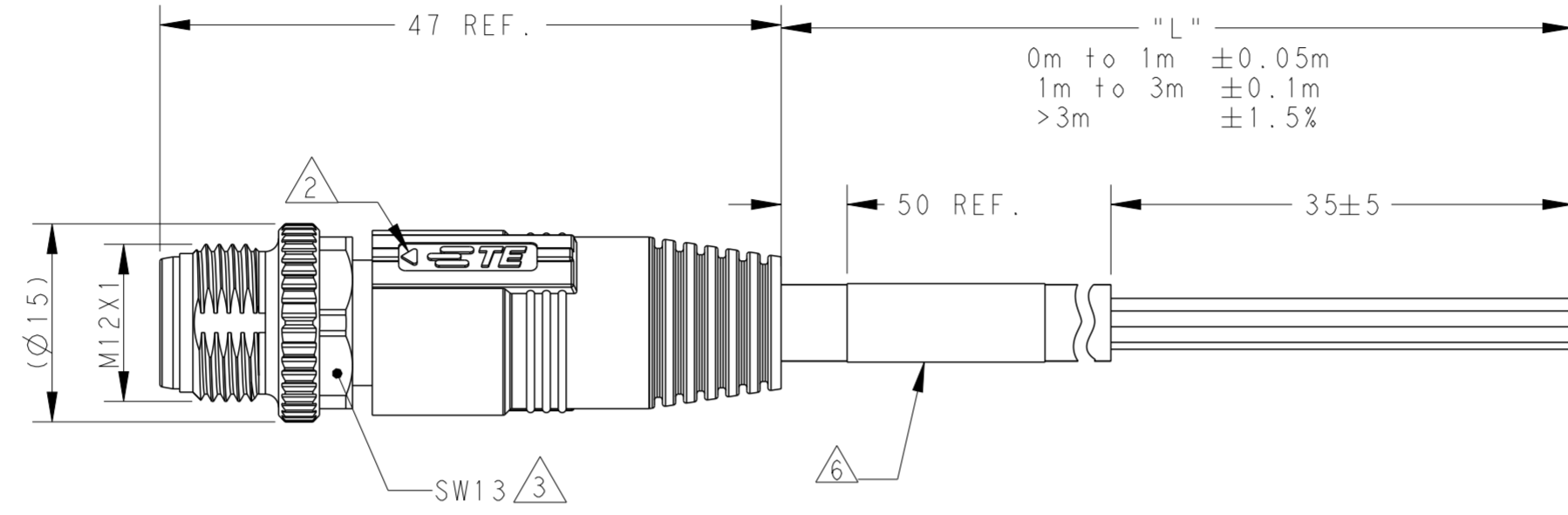
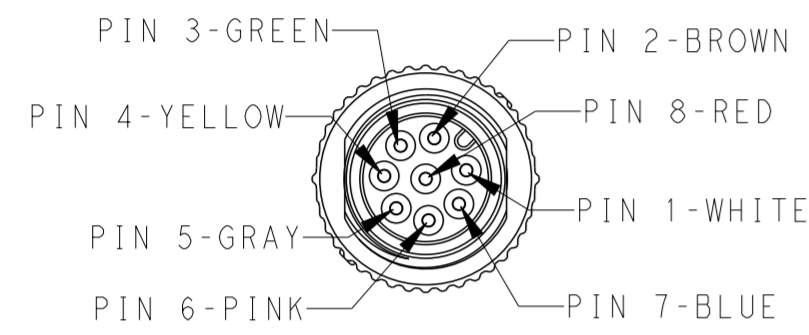


THIS DRAWING IS UNPUBLISHED. RELEASED FOR PUBLICATION 20
 © COPYRIGHT 20 BY - ALL RIGHTS RESERVED.

ITEM	DESCRIPTION	MATERIAL	OTHERS
1	MALE CONTACT	BRONZE	GOLD PLATED
2	HOUSING	NYLON	BLACK
3	COUPLING NUT	ZAMACK	NICKEL PLATED
4	OVER-MOLDING	POLYURETHANE	BLUE
5	CABLE	-	-
6	LABEL	-	-

REVISIONS				
P	LTR	DESCRIPTION	DATE	APVD
A		INITIAL RELEASE	05DEC2016	HW XX
A1		ECR-18-016060	13OCT2018	G.W C.W
B		ECR-22-134410	27OCT2022	BP CW



NOTE:

- △. STRIP ALL THE INSULATION
- △. CODE POSITION
- △. RECOMMENDED TORQUE 0.6 Nm
- △. -** : CABLE LENGTH
-0.5:0.5M,
-1.0:1.0M,
...
-10.0:10.0M,
- 5. CABLE ASSEMBLY TO BE PACKAGED IN POLYBAGS
- △. LABEL CONTAINS: PN, DATE CODE...
- △. CABLE LENGTH CODE:
STANDARD LENGTH: 001...007
CUSTOMIZATION LENGTH: >1.0M; XX OR XX5
EXAMPLE: 3.5M:035; 15M:150...
<1.0M; 99X
EXAMPLE: 0.4M:994; ...0.9M:999

FOR CONFIGURED PARTS ONLINE, MATERIAL PART NUMBER START WITH C INSTEAD OF T, THESE CAN ONLY ORDER THROUGH CTO TOOL

注释:

- △. 全剥护套绝缘层
- △. CODE位置
- △. 推荐扭矩0.6 Nm
- △. -** : 线缆长度
-0.5:0.5M,
-1.0:1.0M,
...
-10.0:10.0M,
- 5. 线缆组件塑料袋包装
- △. 标签包含: 产品编号, 日期代码...
- △. 线缆长度编码:
标准长度: 001...007
定制长度: >1.0M; XX0 或 005
例如: 3.5M:035; 15.0M:150...
<1.0M; 99X
例如: 0.4M:994; 0.9M:999

对于在线定制的料号, 相关料号用C替代T, 这些料号通过CTO工具产生

TABLE 1

TECHNICAL DATA	T41511X00X8-00X
RATED VOLTAGE	MAX. 30V AC/DC
RATED CURRENT	MAX. 2A
POLLUTION DEGREE	3
OVERVOLTAGE CATEGORY	II
MATERIAL GROUP	II
DEGREE OF PROTECTION	IP67(PLUGGED)

TABLE 2

WIRES: 0.25mm ² (24AWG) WIRE COLOR: WHITE/BROWN/GREEN/YELLOW/ GRAY/PINK/BLUE/RED OD: APPROX.6.0MM FOR 8P	STANDARD: -001:0.5M -002:1.0M -003:1.5M -004:3.0M -005:5.0M -006:7.0M -007:10.0M CUSTOMIZATION: -XX0:XX.0 M -XX5:XX.5 M -99X: 0.X M	FIXED: -40°C~+80°C	YELLOW	PUR	RPC-M12-MS-8CON-PUR1-X.X△	8	T4151120068-00X△
	FLXIBLE: -25°C~+80°C	GRAY	PUR	RPC-M12-MS-8CON-PUR-X.X△	8	T4151120008-00X△	
		BLACK	PVC	RPC-M12-MS-8CON-PVC-X.X△	8	T4151110008-00X△	
CABLE CHARACTERISTIC 线缆特性	LENGTH "L" 长度 "L"	CABLE TEMP. RANGE	JACKET COLOR	JACKET MATERIAL	TYPE 型号	POS.	TE PN TE 料号

THIS DRAWING IS A CONTROLLED DOCUMENT.		DWN HAO WANG 24AUG2016	TE Connectivity	
		CHK KOBBY ZHAO 24AUG2016		
		APVD XIANG XU 24AUG2016	NAME M12X1 STRAIGHT PLUG, FREE END	
DIMENSIONS: mm		PRODUCT SPEC 108-106140	A-CODE, 8P	
TOLERANCES UNLESS OTHERWISE SPECIFIED:		APPLICATION SPEC 114-137144	UN-SHIELDED,	
0 PLC ±		SIZE A2	CAGE CODE -	DRAWING NO. C-T41511X000800X
1 PLC ±		WEIGHT -	SCALE 2:1	SHEET 1 OF 1
2 PLC ±		CUSTOMER DRAWING	REV B	
3 PLC ±				
4 PLC ±				
ANGLES ±				
FINISH -				