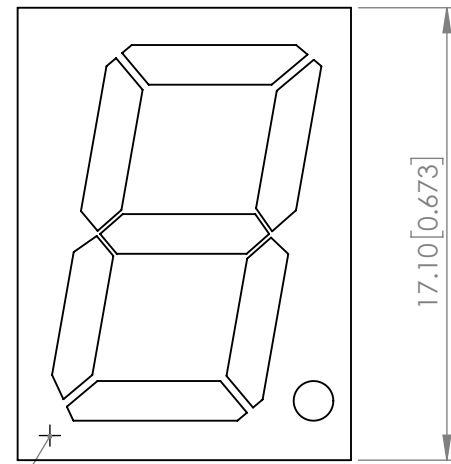
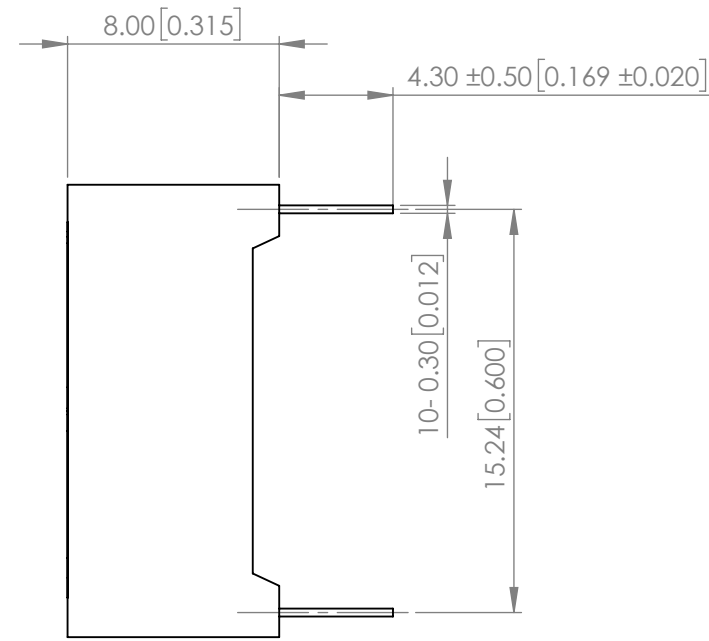


PART NUMBER		LDS-C5642RI	REV	A
REV	E.C.N. NUMBER AND REVISION COMMENTS			DATE
A	ECN-Lumex201900099			07.30.19



PIN1



**ELECTRO-OPTICAL CHARACTERISTIC TA=25°C PER SEGMENT**

PARAMETER	MIN	TYP	MAX	UNITS	TEST COND
PEAK WAVELENGTH	-	570	-	-	If=20mA
FORWARD VOLTAGE	-	2.2	2.5	Vf	If=20mA
REVERSE CURRENT	-	-	20	uA	VR=5V
LUMINOUS INTENSITY MATCHING RATE	-	1.5:1	-	-	If=20mA
EMITTED COLOR	GREEN				
FONT COLOR	GRAY				
SEGMENT COLOR	MILKY WHITE DIFFUSED				

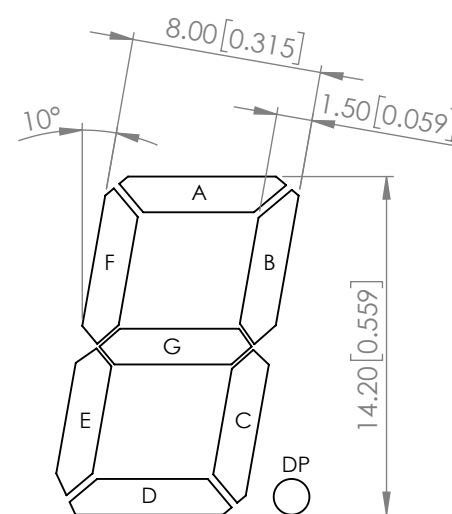
**ABSOLUTE MAXIMUM RATINGS TA=25°C PER SEGMENT**

PARAMETER	MAX	UNITS
PEAK FORWARD CURRENT*	80	mA
FORWARD CURRENT	20	mA
POWER DISSIPATION	50	mW
REVERSE VOLTAGE	5	V
STORAGE TEMPERATURE	-30 to +85	°C
OPERATING TEMPERATURE	-25 to +85	°C
SOLDERING TEMPERATURE**	3 SEC MAX. @ 260	°C

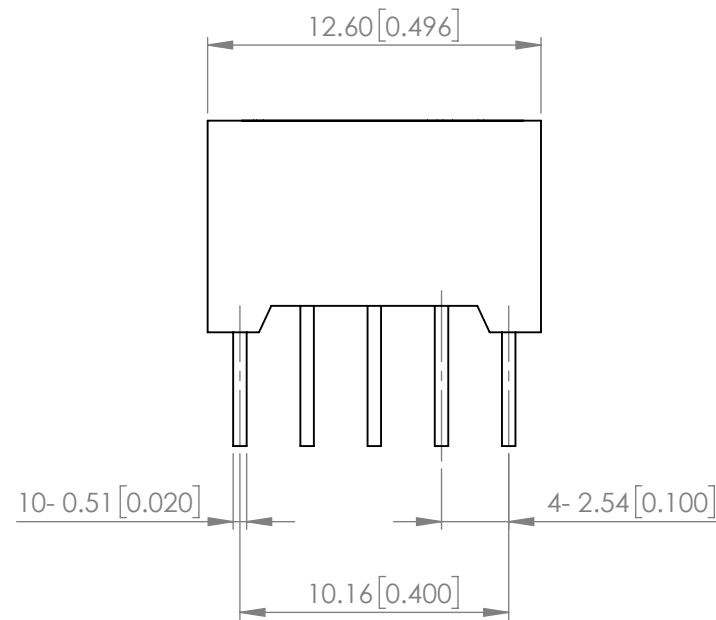
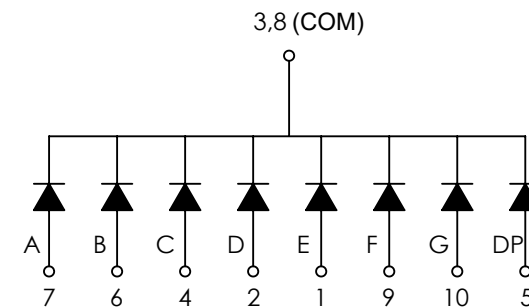
\* t<10us

\*\* AT 2mm DISTANCE FROM THE CASE OF REFLECTOR EDGE.

**DIGIT DETAIL**



**CIRCUIT DIAGRAM**



\*UNLESS OTHERWISE SPECIFIED TOLERANCES PER DECIMAL PRECISION ARE: X=±1 (±0.039), X.X=±0.5 (±0.020), X.XX=±0.25 (±0.010), X.XXX=±0.127 (±0.005). LEAD SIZE=±0.05 (±0.002), LEAD LENGTH=±0.75 (±0.030). MIN= <sup>+DECIMAL PRECISION</sup>/<sub>-0.00</sub> MAX= <sup>+0.00</sup>/<sub>-DECIMAL PRECISION</sub>

<p>425 N. GARY AVE. CAROL STREAM, IL 60188 PHONE : 800-278-5666 FAX : 630-315-2150 WEB : WWW.LUMEX.COM</p>	17.1(L)*12.6(W)*8(H)mm,0.56" SEVEN SEGMENT,SINGLE DIGITAL LED DISPLAY,GRAY FACE WITH WHITE SEGMENTS,COMMON ANODE.	DATE : 2019.07.30	DRAWN BY : C.S.	
	**THE SPECIFICATIONS MAY CHANGE AT ANY TIME WITHOUT NOTICE.**	PAGE : 1 OF 1	CHKD BY : E.C.	
	CONFIDENTIAL INFORMATION THE INFORMATION CONTAINED IN THIS DOCUMENT IS THE PROPERTY OF LUMEX INC. EXCEPT AS SPECIFICALLY AUTHORIZED IN WRITING BY LUMEX INC., THE HOLDER OF THIS DOCUMENT SHALL KEEP ALL INFORMATION CONTAINED HEREIN CONFIDENTIAL AND SHALL PROTECT SAME IN WHOLE OR IN PART FROM DISCLOSURE AND DISSEMINATION TO ALL THIRD PARTIES.	SCALE : NTF	APRVD BY : G.Y.	
		UNIT : mm [INCH]		