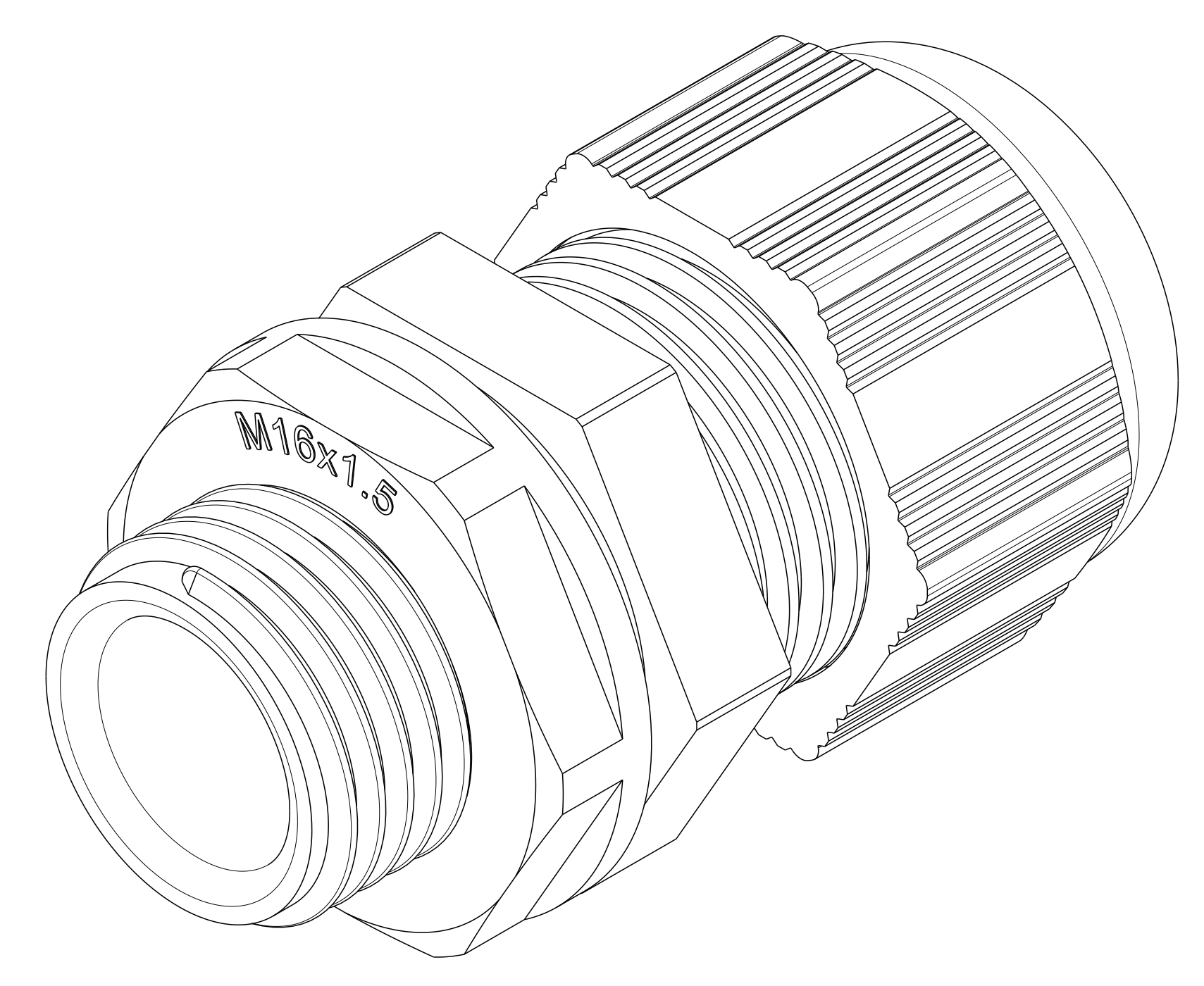
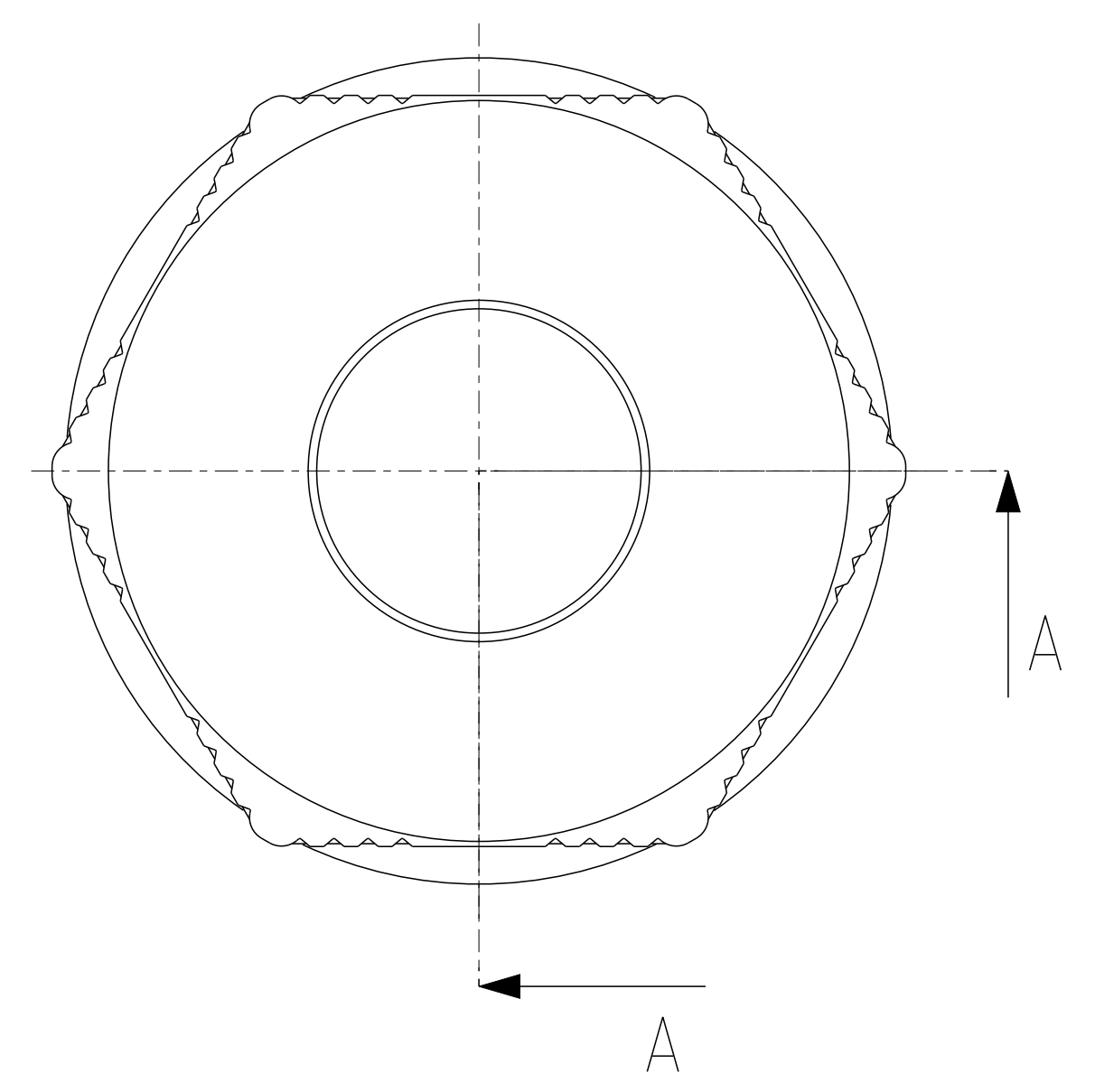
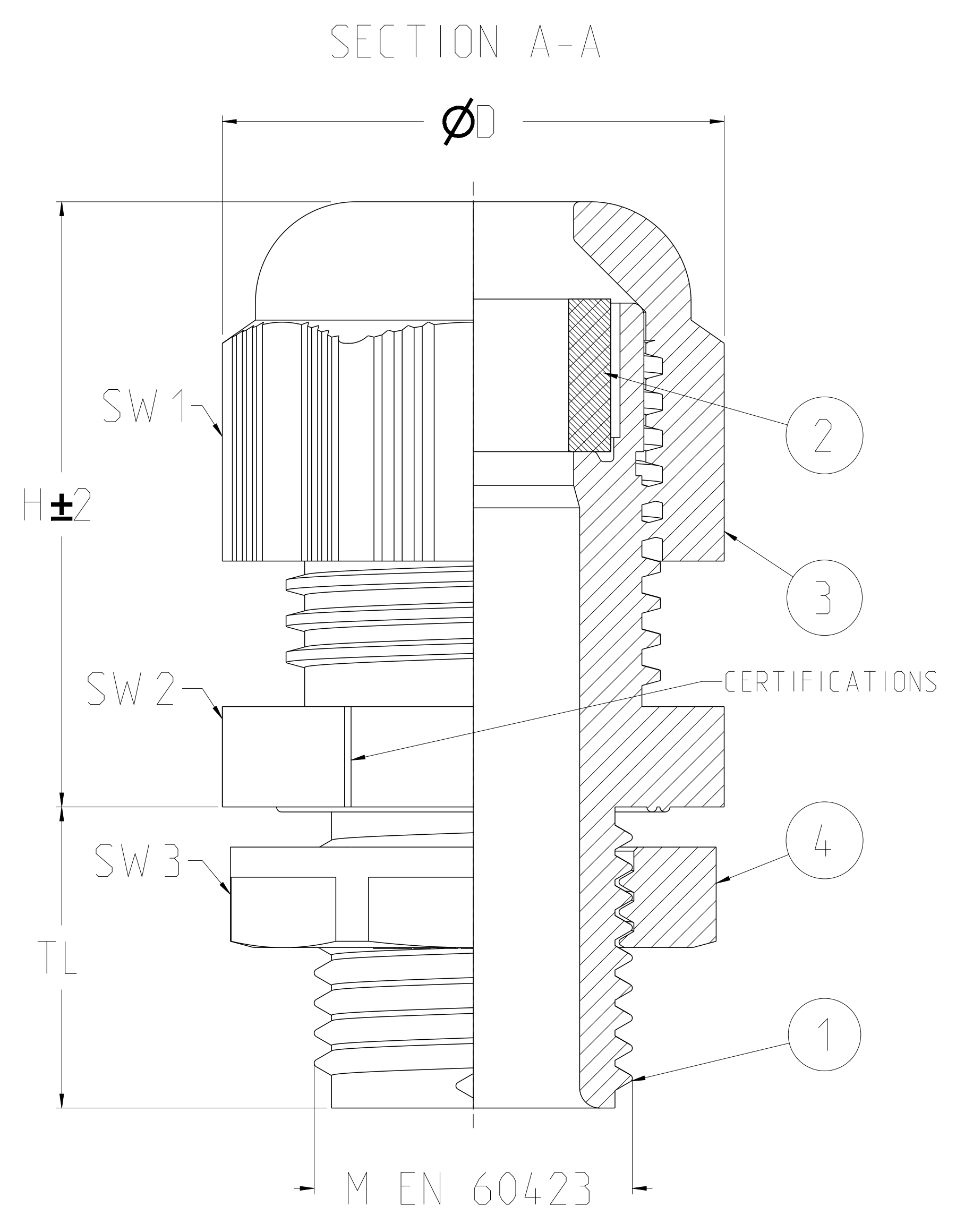


REVISIONS				
REV	DATE	DESCRIPTION	BY	APPD
A	02FEB2022	INITIAL REVISION	KR	RM



TCPN	TE Product Type (Entrelec)	RAL NUMBER	COLOR	UL RATING	CERTIFICATIONS	M EN 60423	TL	H	Ø	SW 1	SW 2	SW 3	Clamping Range Ø min - max
1SNG626001R0000	EP-SGL-M16-LGR-A	7035	L.GREY	TYPE 4X	cURus VDE cCSAus	M16x1.5	8.0	25.4	21.7	19	19	22	2.0 - 6.0
1SNG626002R0000	EP-SGL-M16-GR-A	7001	Grey	TYPE 4X	cURus VDE cCSAus	M16x1.5	8.0	25.4	21.7	19	19	22	2.0 - 6.0
1SNG626003R0000	EP-SGL-M16-BL-A	9005	Black	TYPE 4X	cURus VDE cCSAus	M16x1.5	8.0	25.4	21.7	19	19	22	2.0 - 6.0
1SNG626004R0000	EP-SGL-M16-LGR-B	7035	L.GREY	TYPE 4X	cURus VDE cCSAus	M16x1.5	10.0	25.4	21.7	19	19	22	2.0 - 6.0
1SNG626005R0000	EP-SGL-M16-GR-B	7001	Grey	TYPE 4X	cURus VDE cCSAus	M16x1.5	10.0	25.4	21.7	19	19	22	2.0 - 6.0
1SNG626006R0000	EP-SGL-M16-BL-B	9005	Black	TYPE 4X	cURus VDE cCSAus	M16x1.5	10.0	25.4	21.7	19	19	22	2.0 - 6.0
1SNG626007R0000	EP-SGL-M16-LGR-C	7035	L.GREY	TYPE 4X	cURus VDE cCSAus	M16x1.5	15.0	25.4	21.7	19	19	22	2.0 - 6.0
1SNG626008R0000	EP-SGL-M16-GR-C	7001	Grey	TYPE 4X	cURus VDE cCSAus	M16x1.5	15.0	25.4	21.7	19	19	22	2.0 - 6.0
1SNG626009R0000	EP-SGL-M16-BL-C	9005	Black	TYPE 4X	cURus VDE cCSAus	M16x1.5	15.0	25.4	21.7	19	19	22	2.0 - 6.0
1SNG626010R0000	EP-SGL-M16-LGR-D	7035	L.GREY	TYPE 4X	cURus VDE cCSAus	M16x1.5	10.0	30.2	25.0	22	22	22	3.0 - 7.0
1SNG626011R0000	EP-SGL-M16-GR-D	7001	Grey	TYPE 4X	cURus VDE cCSAus	M16x1.5	10.0	30.2	25.0	22	22	22	3.0 - 7.0
1SNG626012R0000	EP-SGL-M16-BL-D	9005	Black	TYPE 4X	cURus VDE cCSAus	M16x1.5	10.0	30.2	25.0	22	22	22	3.0 - 7.0
1SNG626013R0000	EP-SGL-M16-LGR-E	7035	L.GREY	TYPE 4X	cURus VDE cCSAus	M16x1.5	15.0	30.2	25.0	22	22	22	3.0 - 7.0
1SNG626014R0000	EP-SGL-M16-GR-E	7001	Grey	TYPE 4X	cURus VDE cCSAus	M16x1.5	15.0	30.2	25.0	22	22	22	3.0 - 7.0
1SNG626015R0000	EP-SGL-M16-BL-E	9005	Black	TYPE 4X	cURus VDE cCSAus	M16x1.5	15.0	30.2	25.0	22	22	22	3.0 - 7.0
1SNG626016R0000	EP-SGL-M16-LGR-F	7035	L.GREY	TYPE 4X	cURus VDE cCSAus	M16x1.5	8.0	25.4	21.7	19	19	22	4.0 - 8.0
1SNG626017R0000	EP-SGL-M16-GR-F	7001	Grey	TYPE 4X	cURus VDE cCSAus	M16x1.5	8.0	25.4	21.7	19	19	22	4.0 - 8.0
1SNG626018R0000	EP-SGL-M16-BL-F	9005	Black	TYPE 4X	cURus VDE cCSAus	M16x1.5	8.0	25.4	21.7	19	19	22	4.0 - 8.0
1SNG626019R0000	EP-SGL-M16-LGR-G	7035	L.GREY	TYPE 4X	cURus VDE cCSAus	M16x1.5	10.0	25.4	21.7	19	19	22	4.0 - 8.0
1SNG626020R0000	EP-SGL-M16-GR-G	7001	Grey	TYPE 4X	cURus VDE cCSAus	M16x1.5	10.0	25.4	21.7	19	19	22	4.0 - 8.0
1SNG626021R0000	EP-SGL-M16-BL-G	9005	Black	TYPE 4X	cURus VDE cCSAus	M16x1.5	10.0	25.4	21.7	19	19	22	4.0 - 8.0
1SNG626022R0000	EP-SGL-M16-LGR-H	7035	L.GREY	TYPE 4X	cURus VDE cCSAus	M16x1.5	15.0	25.4	21.7	19	19	22	4.0 - 8.0
1SNG626023R0000	EP-SGL-M16-GR-H	7001	Grey	TYPE 4X	cURus VDE cCSAus	M16x1.5	15.0	25.4	21.7	19	19	22	4.0 - 8.0
1SNG626024R0000	EP-SGL-M16-BL-H	9005	Black	TYPE 4X	cURus VDE cCSAus	M16x1.5	15.0	25.4	21.7	19	19	22	4.0 - 8.0
1SNG626025R0000	EP-SGL-M16-LGR-I	7035	L.GREY	TYPE 4X	cURus VDE cCSAus	M16x1.5	10.0	30.2	25.0	22	22	22	5.0 - 10.0
1SNG626026R0000	EP-SGL-M16-GR-I	7001	Grey	TYPE 4X	cURus VDE cCSAus	M16x1.5	10.0	30.2	25.0	22	22	22	5.0 - 10.0
1SNG626027R0000	EP-SGL-M16-BL-I	9005	Black	TYPE 4X	cURus VDE cCSAus	M16x1.5	10.0	30.2	25.0	22	22	22	5.0 - 10.0
1SNG626028R0000	EP-SGL-M16-LGR-J	7035	L.GREY	TYPE 4X	cURus VDE cCSAus	M16x1.5	15.0	30.2	25.0	22	22	22	5.0 - 10.0
1SNG626029R0000	EP-SGL-M16-GR-J	7001	Grey	TYPE 4X	cURus VDE cCSAus	M16x1.5	15.0	30.2	25.0	22	22	22	5.0 - 10.0
1SNG626030R0000	EP-SGL-M16-BL-J	9005	Black	TYPE 4X	cURus VDE cCSAus	M16x1.5	15.0	30.2	25.0	22	22	22	5.0 - 10.0
1SNG626031R0000	EP-SGL-M20-LGR-A	7035	L.GREY	TYPE 4X	cURus VDE cCSAus	M20x1.5	10.0	30.4	27.0	24	24	26	5.0 - 9.0
1SNG626032R0000	EP-SGL-M20-GR-A	7001	Grey	TYPE 4X	cURus VDE cCSAus	M20x1.5	10.0	30.4	27.0	24	24	26	5.0 - 9.0
1SNG626033R0000	EP-SGL-M20-BL-A	9005	Black	TYPE 4X	cURus VDE cCSAus	M20x1.5	10.0	30.4	27.0	24	24	26	5.0 - 9.0
1SNG626034R0000	EP-SGL-M20-LGR-B	7035	L.GREY	TYPE 4X	cURus VDE cCSAus	M20x1.5	15.0	30.4	27.0	24	24	26	5.0 - 9.0
1SNG626035R0000	EP-SGL-M20-GR-B	7001	Grey	TYPE 4X	cURus VDE cCSAus	M20x1.5	15.0	30.4	27.0	24	24	26	5.0 - 9.0
1SNG626036R0000	EP-SGL-M20-BL-B	9005	Black	TYPE 4X	cURus VDE cCSAus	M20x1.5	15.0	30.4	27.0	24	24	26	5.0 - 9.0
1SNG626037R0000	EP-SGL-M20-LGR-C	7035	L.GREY	TYPE 4X	cURus VDE cCSAus	M20x1.5	10.0	30.4	27.0	24	24	26	6.0 - 12.0
1SNG626038R0000	EP-SGL-M20-GR-C	7001	Grey	TYPE 4X	cURus VDE cCSAus	M20x1.5	10.0	30.4	27.0	24	24	26	6.0 - 12.0
1SNG626039R0000	EP-SGL-M20-BL-C	9005	Black	TYPE 4X	cURus VDE cCSAus	M20x1.5	10.0	30.4	27.0	24	24	26	6.0 - 12.0
1SNG626040R0000	EP-SGL-M20-LGR-D	7035	L.GREY	TYPE 4X	cURus VDE cCSAus	M20x1.5	15.0	30.4	27.0	24	24	26	6.0 - 12.0
1SNG626041R0000	EP-SGL-M20-GR-D	7001	Grey	TYPE 4X	cURus VDE cCSAus	M20x1.5	15.0	30.4	27.0	24	24	26	6.0 - 12.0
1SNG626042R0000	EP-SGL-M20-BL-D	9005	Black	TYPE 4X	cURus VDE cCSAus	M20x1.5	15.0	30.4	27.0	24	24	26	6.0 - 12.0
1SNG626043R0000	EP-SGL-M20-LGR-E	7035	L.GREY	TYPE 4X	cURus VDE cCSAus	M20x1.5	10.0	29.9	30.9	27	27	26	7.0 - 12.0
1SNG626044R0000	EP-SGL-M20-GR-E	7001	Grey	TYPE 4X	cURus VDE cCSAus	M20x1.5	10.0	29.9	30.9	27	27	26	7.0 - 12.0
1SNG626045R0000	EP-SGL-M20-BL-E	9005	Black	TYPE 4X	cURus VDE cCSAus	M20x1.5	10.0	29.9	30.9	27	27	26	7.0 - 12.0
1SNG626046R0000	EP-SGL-M20-LGR-F	7035	L.GREY	TYPE 4X	cURus VDE cCSAus	M20x1.5	15.0	29.9	30.9	27	27	26	7.0 - 12.0
1SNG626047R0000	EP-SGL-M20-GR-F	7001	Grey	TYPE 4X	cURus VDE cCSAus	M20x1.5	15.0	29.9	30.9	27	27	26	7.0 - 12.0
1SNG626048R0000	EP-SGL-M20-BL-F	9005	Black	TYPE 4X	cURus VDE cCSAus	M20x1.5	15.0	29.9	30.9	27	27	26	7.0 - 12.0
1SNG626049R0000	EP-SGL-M20-LGR-G	7035	L.GREY	TYPE 4X	cURus VDE cCSAus	M20x1.5	10.0	32.0	27.5	25	25	26	7.0 - 13.0
1SNG626050R0000	EP-SGL-M20-GR-G	7001	Grey	TYPE 4X	cURus VDE cCSAus	M20x1.5	10.0	32.0	27.5	25	25	26	7.0 - 13.0
1SNG626051R0000	EP-SGL-M20-BL-G	9005	Black	TYPE 4X	cURus VDE cCSAus	M20x1.5	10.0	32.0	27.5	25	25	26	7.0 - 13.0
1SNG626052R0000	EP-SGL-M20-LGR-H	7035	L.GREY	TYPE 4X	cURus VDE cCSAus	M20x1.5	10.0	29.9	30.9	27	27	26	10.0 - 14.0
1SNG626053R0000	EP-SGL-M20-GR-H	7001	Grey	TYPE 4X	cURus VDE cCSAus	M20x1.5	10.0	29.9	30.9	27	27	26	10.0 - 14.0
1SNG626054R0000	EP-SGL-M20-BL-H	9005	Black	TYPE 4X	cURus VDE cCSAus	M20x1.5	10.0	29.9	30.9	27	27	26	10.0 - 14.0
1SNG626055R0000	EP-SGL-M20-LGR-I	7035	L.GREY	TYPE 4X	cURus VDE cCSAus	M20x1.5	15.0	29.9	30.9	27	27	26	10.0 - 14.0
1SNG626056R0000	EP-SGL-M20-GR-I	7001	Grey	TYPE 4X	cURus VDE cCSAus	M20x1.5	15.0	29.9	30.9	27	27	26	10.0 - 14.0
1SNG626057R0000	EP-SGL-M20-BL-I	9005	Black	TYPE 4X	cURus VDE cCSAus	M20x1.5	15.0	29.9	30.9	27	27	26	10.0 - 14.0

4	1	LOCK NUT	-	PA 6 %30 GF	-
3	1	CAP	-	PA6 V2 (F1 Listed)	-
2	1	SEAL	-	CR	-
1	1	BODY	-	PA6 V2 (F1 Listed)	-
RPT QTY	DOC TITLE	DRAWING NUMBER	MATERIAL	COMMENTS	
THIS DRAWING IS A CONTROLLED DOCUMENT.					
DIMENSIONS:		DATE: 02FEB2022			
UNIT: MM		DRAWN BY: Rajan D. Raji			
TOLERANCES UNLESS OTHERWISE SPECIFIED:		CHECKED BY: Rajesh Mohi			
Ø F/6 P/3		APPROVED BY: Rajesh Mohi			
H/0.1 P/0.1		PRODUCT SPEC: M-STD-GLAND-PA-LN			
F/0.1 P/0.1		APPLICATION SPEC:			
FINISH:		SCALE: 5:1			
MATERIAL: Refer Table		WEIGHT: -			
CUSTOMER DRAWING		SITE: 00779			
		CASE CODE: 15NP061302-0100			
		RESTRICTED TO: -			
		SHEET: 1 OF 2			
		REV: A			

