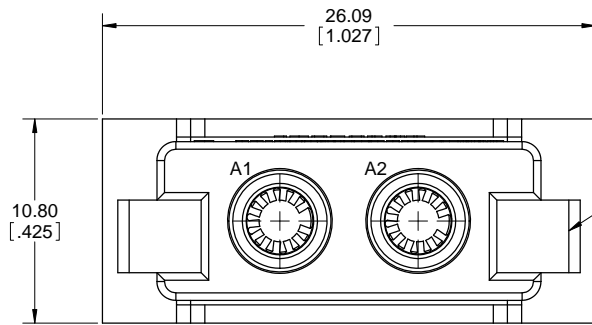
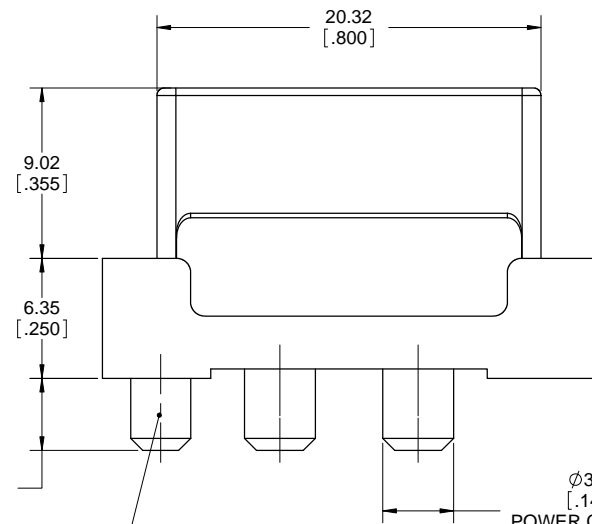




REVISIONS			
REV	DESCRIPTION, ECN, EAR NO.	DATE	APP'D
A	PROPOSAL DWG (EAR 13803)	NOV18/10	
B	UPDATE (EAR 13812)	DEC03/10	
C	UPDATE WITH FINAL DESIGN	JAN13/11	
D	SPEC UPDATE (EAR 13936)	AUG23/11	S.M
E	TOLERANCES ADDED	FEB1/12	S.M
F	UL FILE NUMBER ADDED	MAR26/12	S.M
G	UPDATED WITH MACHINED CB HOLDER	DEC06/12	S.M
H	UPDATE TO MATING CONNECTORS	MAY31/13	S.M
J	UPDATE TO MATING CONNECTORS	AUG29/13	S.M
K	UPDATE TO MATING CONNECTORS	OCT27/15	S.M

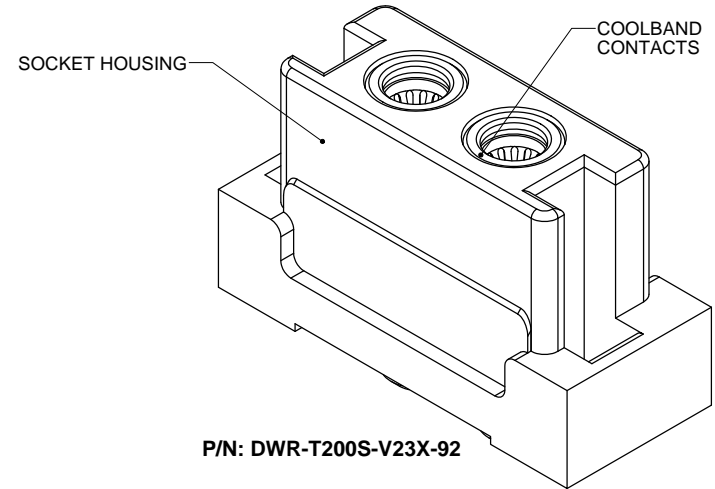
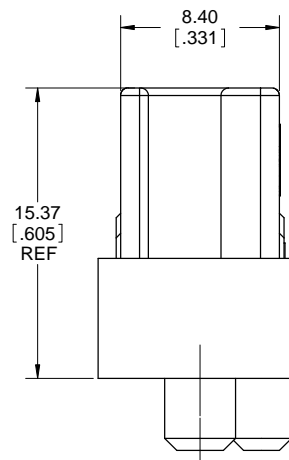


SLOT ACCEPTS PIN CONNECTOR HOUSING BLADE LOCATED OFF CENTER TO PREVENT IMPROPER MATING

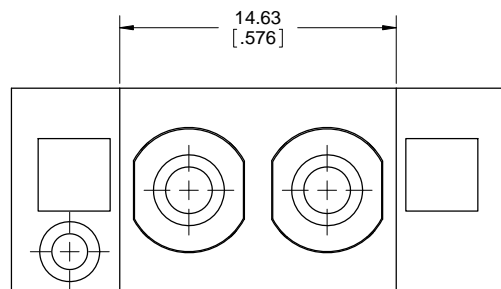


Ø3.75 [.148]
POWER CONTACT TAILS (2 PLACES)

ORIENTATION PEG PREVENTS ASSEMBLY ERRORS



P/N: DWR-T200S-V23X-92



NOTES:

- MATERIALS: ALL MATERIALS ARE RoHS COMPLIANT PER EU DIRECTIVE 2011/65/EU AND AMENDMENTS.
 - HOUSING: HIGH TEMPERATURE RESISTANT NYLON, UL FLAMMABILITY RATING 94V-0, COLOUR BLACK
 - POWER CONTACTS: BERYLLIUM COPPER COOLBAND MATING GRID, TELLURIUM COPPER ALLOY BALANCE.
- PLATING:
 - FOR P/N DWR-T200S-V233-92, MATING GRID PLATED WITH 0.76µm (30µ") GOLD OVER 1.27µm (50µ") NICKEL, 2.54µm (100µ") MATTE TIN BALANCE.
 - FOR P/N DWR-T200S-V236-92, MATING GRID PLATED WITH 5.08µm (200µ") SILVER OVER 1.27µm (50µ") NICKEL, SILVER OVER NICKEL BALANCE.
- WHEN MATING WITH PIN CONNECTOR (SEE TABLE 1 ON SHEET 2), THE INSERTION FORCE REQUIRED WILL BE 5 KG MAX. THE WITHDRAWAL FORCE REQUIRED FOR SEPARATION WILL BE 0.7 KG MIN, 3 KG MAX. THE ORDER OF MECHANICAL AND ELECTRICAL ENGAGEMENT IS A) HOUSING BLADES, B) HOUSING SHROUD AND C) POWER CONTACTS
- ELECTRICAL CHARACTERISTICS
 - CURRENT RATING: 40A PER CONTACT
 - OPERATING TEMPERATURE: -55°C TO +105°C
 - DIELECTRIC WITHSTANDING VOLTAGE: 1500VDC
 - INSULATION RESISTANCE: 5000 MEGAOHMS
- UL FILE NUMBER: E64911

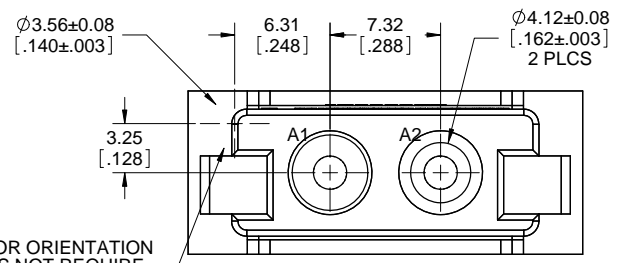
UNLESS SPECIFIED OTHERWISE	DRAWN	S.CAELERS	NOV18/10
PRIMARY UNITS MILLIMETERS	CHECKED		
SECONDARY INCHES	M.E. APP'D		
REFERENCE IN PARENTHESES	Q.A. APP'D		
GENERAL TOLERANCES	DWG APPR.		
1 DECIMAL PLACE	ENG. REL. NO.	EAR 13803	
2 DECIMAL PLACES ±0.100	REF.		
3 DECIMAL PLACES	THIRD ANGLE PROJECTION		DO NOT SCALE DRAWING
ANGULAR DEGREES			

Amphenol Canada Corp.

DWR SERIES SLIM DRAWER, 2 POWER SOCKET CONNECTOR, SIZE 10 COOL POWER, SPECIAL .288" PITCH, PCB TAILS, RoHS COMPLIANT

DWG. NO.	REV
P-DWR-T200S-V23X-92	K
CODE ID NO. 03554	DWG SIZE: X
SCALE: 5:1	SHEET 1 OF 2

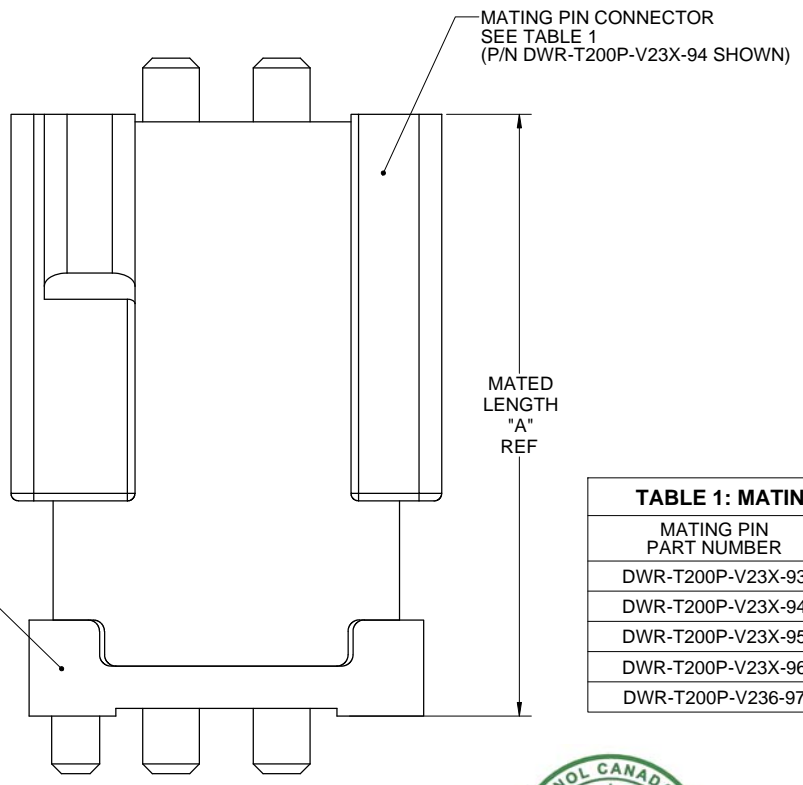
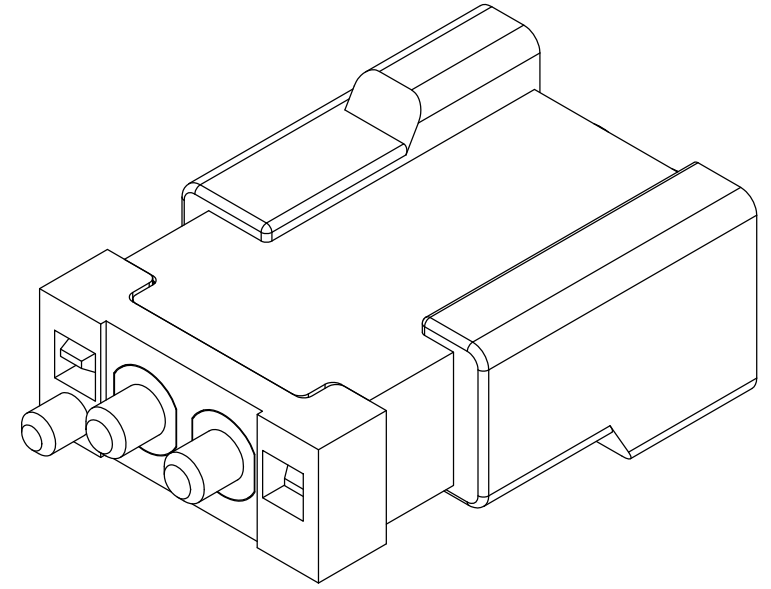
REVISIONS			
REV	DESCRIPTION, ECN, EAR NO.	DATE	APP'D
A	PROPOSAL DWG (EAR 13803)	NOV18/10	
B	UPDATE (EAR 13812)	DEC03/10	
C	UPDATE WITH FINAL DESIGN	JAN13/11	
D	SPEC UPDATE (EAR 13936)	AUG23/11	S.M
E	TOLERANCES ADDED	FEB1/12	S.M
F	UL FILE NUMBER ADDED	MAR26/12	S.M
G	UPDATED WITH MACHINED CB HOLDER	DEC06/12	S.M
H	UPDATE TO MATING CONNECTORS	MAY31/13	S.M
J	UPDATE TO MATING CONNECTORS	AUG29/13	S.M
K	UPDATE TO MATING CONNECTORS	OCT27/15	S.M



LOCATE HOLES
 $\varnothing 0.13 [0.005]$ DIA
 POSITION DIMENSIONS ARE BASIC

CONNECTOR ORIENTATION HOLE DOES NOT REQUIRE PLATING

RECOMMENDED PCB LAYOUT
 (COMPONENT SIDE OF BOARD)
 SCALE 4:1



MATING PIN CONNECTOR
 SEE TABLE 1
 (P/N DWR-T200P-V23X-94 SHOWN)

MATED LENGTH
 "A"
 REF

SOCKET CONNECTOR
 P/N DWR-T200S-V23X-92

MATING PIN PART NUMBER	MATED LENGTH "A" REF
DWR-T200P-V23X-93	39.80 [1.567]
DWR-T200P-V23X-94	39.80 [1.567]
DWR-T200P-V23X-95	42.00 [1.654]
DWR-T200P-V23X-96	38.00 [1.496]
DWR-T200P-V236-97	41.00 [1.614]

MATED ASSEMBLY
 SIDE VIEW
 SCALE 4:1



UNLESS SPECIFIED OTHERWISE	DRAWN	S.CAELERS	NOV18/10
PRIMARY UNITS MILLIMETERS	CHECKED		
SECONDARY INCHES	M.E. APP'D		
REFERENCE IN PARENTHESES	Q.A. APP'D		
GENERAL TOLERANCES	DWG APPR.		
1 DECIMAL PLACE	ENG. REL. NO.	EAR 13803	
2 DECIMAL PLACES	REF.		
40.100	THIRD ANGLE PROJECTION		DO NOT SCALE DRAWING
3 DECIMAL PLACES			
ANGULAR DEGREES			

Amphenol Canada Corp.

DWR SERIES SLIM DRAWER, 2 POWER SOCKET CONNECTOR, SIZE 10 COOL POWER, SPECIAL .288" PITCH, PCB TAILS, RoHS COMPLIANT

DWG. NO. **P-DWR-T200S-V23X-92** REV **K**

CODE ID NO. 03554 DWG SIZE: X SCALE: 5:1 SHEET 2 OF 2