

SUMMARY

Wires

Low voltage 2



Image is for illustrative purpose only

Series	2P
Termination type	Female solder
IP rating	66
AWG wire size	22.00 - 14.00
Cable Ø	5.30 - 7.20 mm
Status	active
Matching parts	CFB.M02.GLA.C72GZ

Download

[Request a quote](#)

[Catalog](#)

TECHNICAL DETAILS

Mechanics

Shell Style/Model	CS*: Free receptacle with cable collet, watertight (IP 66) and nut for fitting a bend relief
Keying	3 keys (alpha=0, gamma=60; Plug: male contacts; Receptacle: female contacts)
Housing Material	PSU (Polysulfone), gray
Weight	10.94 g

Performance

Configuration	2P.M02 : 2 Low V.
Insulator	L: PEEK for solder contacts
Rated Current	30 Amps

Specifications

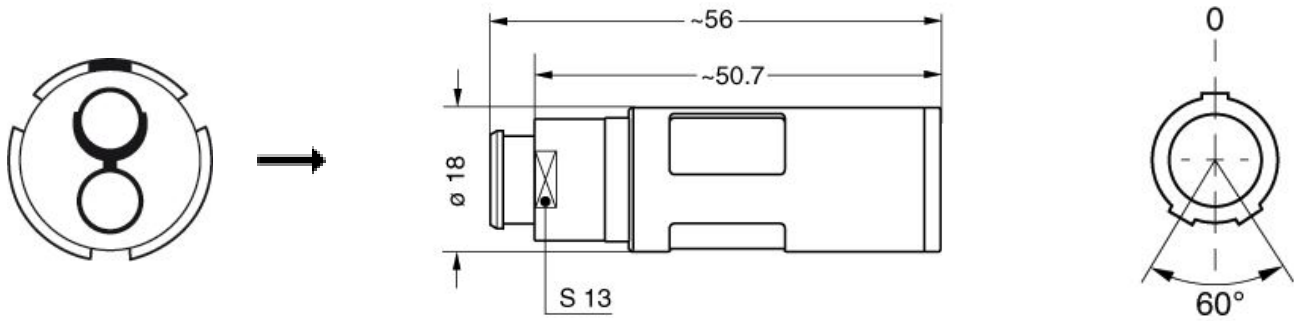
Contact Type: Solder
Contact Dia.: 2.0 mm (0.078in)
Bucket Dia.: 1.8 mm (0.070in)
Test voltage (kV rms) Contact-contact: 2.1
Air clearance min.: 1.6 mm
Creepage distance min.: 1.6 mm

Others

LEMO products and services are provided "as is". LEMO makes no warranties or representations with regard to LEMO product & services or use of them, express, implied or statutory, including for accuracy, completeness, or security. The user is fully responsible for his products and applications using LEMO components.

Endurance (Shell): >1000 mating cycles
 F ret (min): 150 N
 F ret (max): 250 N
 Steam sterilization: 20 times

DRAWINGS



Dimensions

	A	L
mm.	18	56
in.	0,71	2,20

RECOMMENDED BY LEMO

Tools

Cables

CMN.02.T14.072PGZE		Grey	
CMN.02.T14.072PNZE		Black	
CMN.02.T14.072QGZE	TPR (medical)	Grey	
CMN.02.T18.064UNCU			

LEMO products and services are provided "as is". LEMO makes no warranties or representations with regard to LEMO product & services or use of them, express, implied or statutory, including for accuracy, completeness, or security. The user is fully responsible for his products and applications using LEMO components.

102080	PVC	Grey	
120184	PVC	Black	
120500	PVC	Grey	
120751	PVC	Grey	
220151	PVC	Grey	
220750	PVC	Grey	

LEMO products and services are provided "as is". LEMO makes no warranties or representations with regard to LEMO product & services or use of them, express, implied or statutory, including for accuracy, completeness, or security. The user is fully responsible for his products and applications using LEMO components.