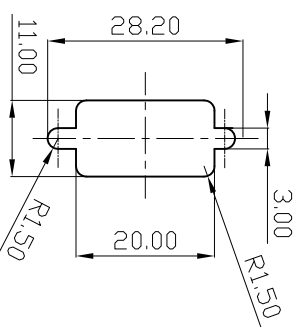
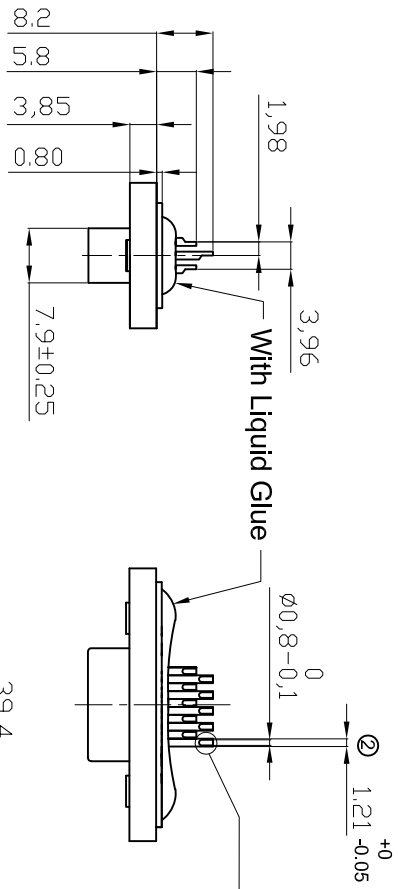


Panel Thickness  
Screw L=5.0 For Panel Thickness Under 1.2mm  
Screw L=6.0 For Panel Thickness Between 1.2-2.0mm

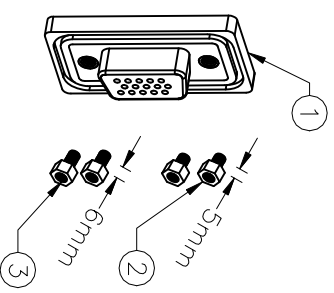


Recommended Panel Cut-Out



**NOTES:**

- MATERIAL**
1. Insulator Material: Black, NYLON+G/F
  2. Contact Material : Copper Alloy
  3. Plating : Gold Plating
  4. Waterproof Rate: IP67
  5. Applicable Wire Range: 24AWG-28AWG
  6. Do Mating Test After Glued
  7. temperature rating: -20°C to 105°C



**RoHS compliant**

Scale	1:1										
TOLERANCE											
X.X	±0.25										
X.XX	±0.10										
X.XXX	±0.05	③	Cancel LOGO	23.01.2018	Tom						
DIM	TOL	②	Update drawing	16.05.2014	Joanna						
ANGLE	±1°										
X.X°	±X°	①	Drawn	24.12.2008	JACK						
Angle	TOL		Id:		Modification						

Customer-No.							
ASSMANN WSW-No.							
<b>A-HDF 15 LL-WP</b>							
Drawing-No.							
<b>ASS 3270 CO</b>							
Replace							
rev03							
Sheet							