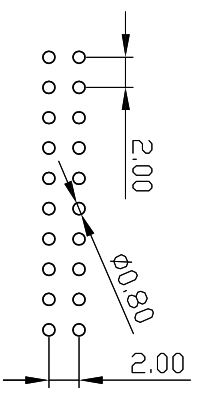
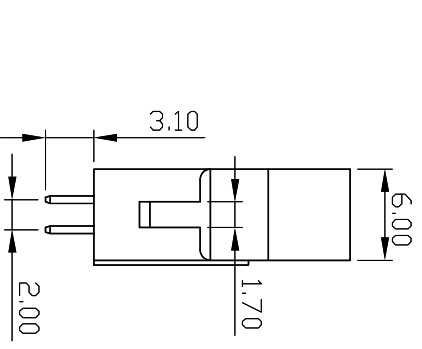
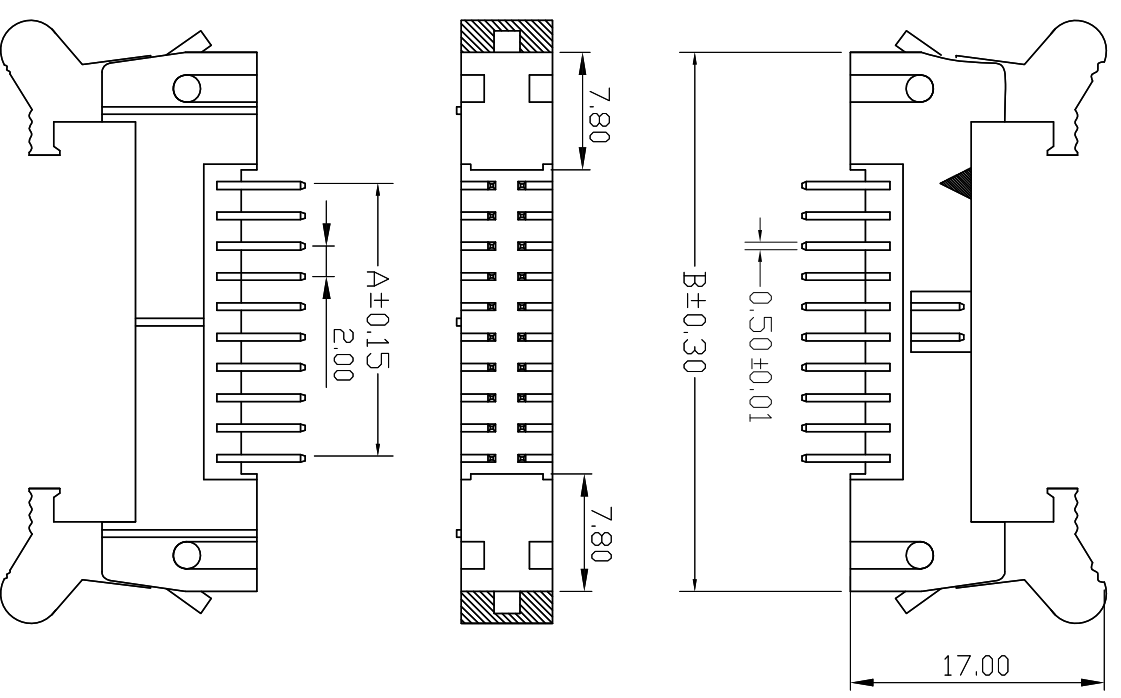


| REV. | DESCRIPTION | DATE |
|------|-------------|------------|
| A | RELEASE | 2012.11.12 |

NOTES:
 Insulator Material: PBT, UL 94V-0
 Contact Plating: TIN, 80-100 μ "
 Contact Material: Brass

Current Rating : 1A AC,DC
 Contact Resistance: 20M Ω Max.
 Dielectric Withstanding: AC 500V
 Insulator Resistance: 1000M Ω Min.
 Operating Temp.: -40°C~+105°C



ROHS

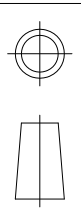
| NUMBER OF POSITIONS | DIMENSIONS | |
|---------------------|------------|-------|
| | A | B |
| 06 | 4.00 | 21.60 |
| 08 | 6.00 | 23.60 |
| 10 | 8.00 | 25.60 |
| 12 | 10.00 | 27.60 |
| 14 | 12.00 | 29.60 |
| 16 | 14.00 | 31.60 |
| 20 | 18.00 | 35.60 |
| 24 | 22.00 | 39.60 |
| 26 | 24.00 | 41.60 |
| 30 | 28.00 | 45.60 |
| 34 | 32.00 | 49.60 |
| 40 | 38.00 | 55.60 |
| 44 | 42.00 | 59.60 |
| 50 | 48.00 | 65.60 |
| 60 | 58.00 | 75.60 |

CnC Tech,LLC

Part No.

3110-XX-001-12-99

| UNLESS TOLERANCE | | DRAW BY |
|------------------|-------------|------------|
| GENERAL | ANGLE | DESIGN BY |
| X. ± 0.30 | X°. ± 3.0° | CHECK BY |
| .X ± 0.20 | .XX ± 2.0° | APPROVE BY |
| .XX ± 0.15 | .XX ± 1.0° | SCALE |
| .XXX ± 0.08 | .XXX ± 0.5° | SHEET |
| | | UNIT |
| | | MM |



| | | |
|-----|-----|----|
| 1:1 | 1/1 | MM |
|-----|-----|----|

| | | | | |
|-------|-------|------|----------|--------|
| SCALE | SHEET | UNIT | DRAW NO: | REV: A |
| 1:1 | 1/1 | MM | | |