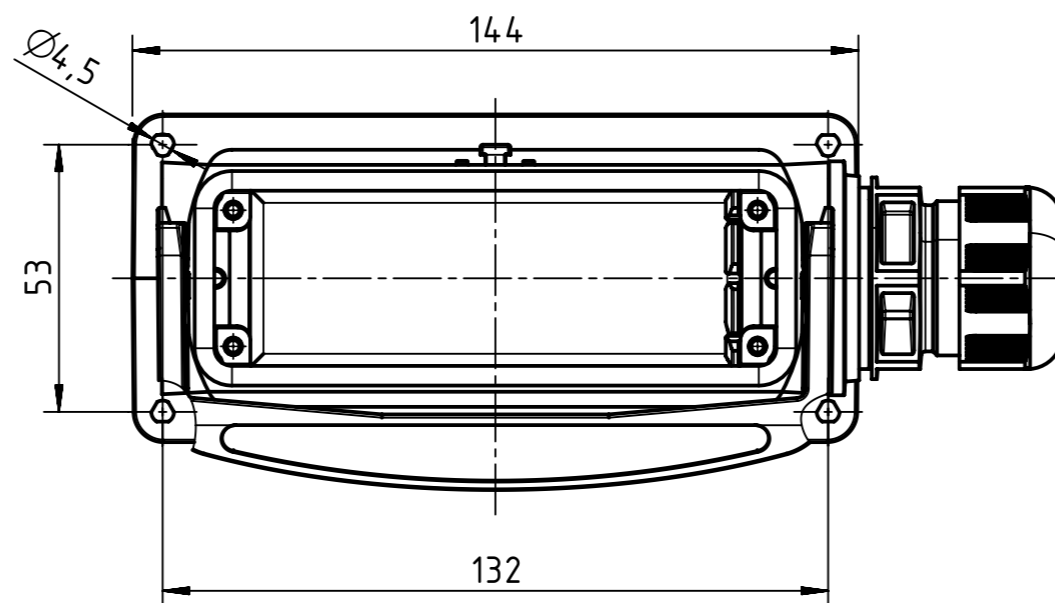
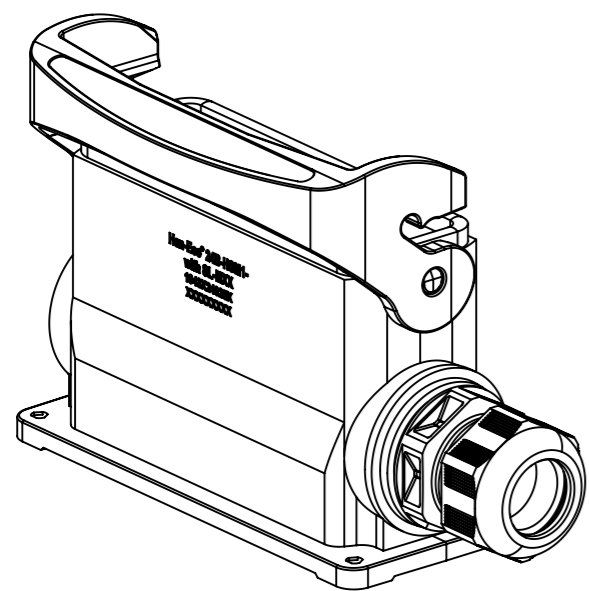
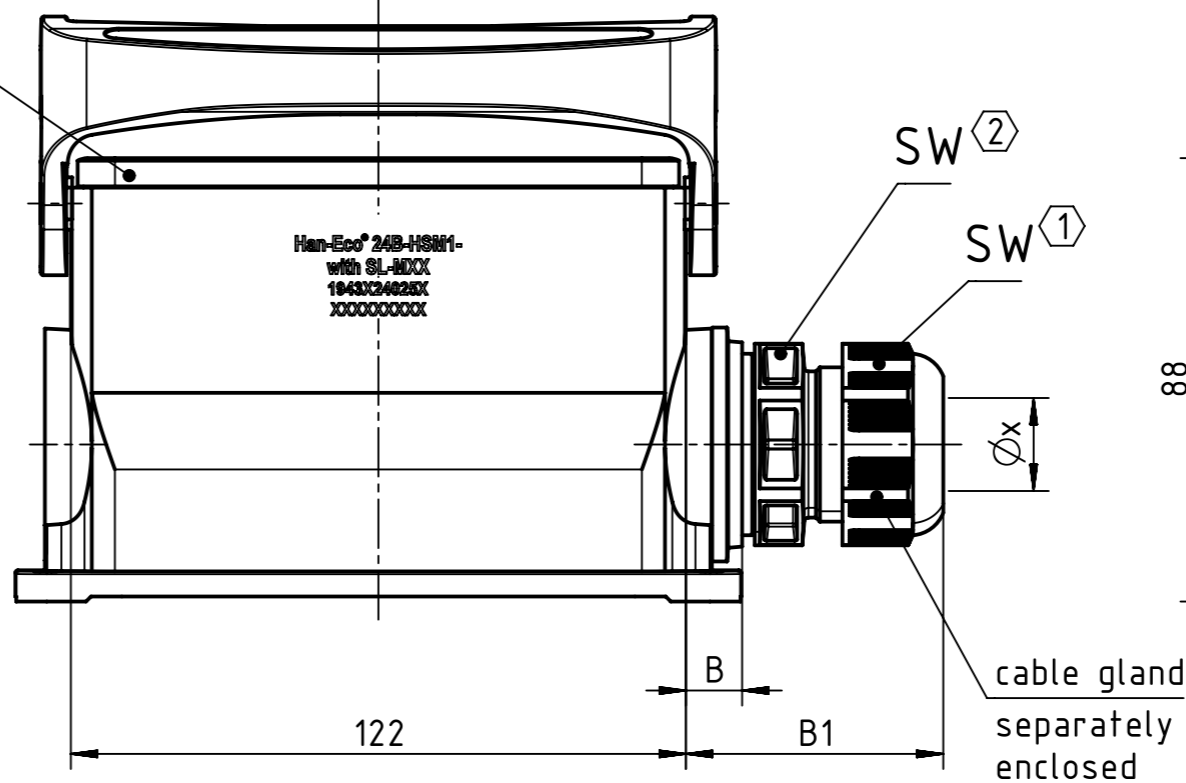


NBR seal



item 1-3 excluding cable gland

| | | | | | | | | |
|------|-------------|------------------------------|------|------|----|-------|----------------------|------|
| 6 | 19431240253 | Han-Eco 24B-HSM1-with SL-M40 | 25,1 | 77,9 | 46 | 16-28 | 20,0 | 20,0 |
| 5 | 19431240252 | Han-Eco 24B-HSM1-with SL-M32 | 11,2 | 51,0 | 36 | 13-21 | 4,0 | 15,0 |
| 4 | 19431240251 | Han-Eco 24B-HSM1-with SL-M25 | 11,2 | 47,6 | 29 | 9-17 | 4,0 | 10,0 |
| 3 | 19430240253 | Han-Eco 24B-HSM1-with SL-M40 | 25,1 | | | | | |
| 2 | 19430240252 | Han-Eco 24B-HSM1-with SL-M32 | 11,2 | | | | | |
| 1 | 19430240251 | Han-Eco 24B-HSM1-with SL-M25 | 11,2 | | | | | |
| item | partnumber | partname | B | B1 | SW | Øx | ① | ② |
| | | | | | | | tightening torque Nm | |



All Dimensions in mm
Original Size DIN A3

Scale
1:1,5

Free size tol.

Ref.

Sub.



All rights reserved
Department EL PD - DE

Created by
ROEBEN

Inspected by
SCHENK

Standardisation
TIEMANNA

Date
2018-04-05

State
Final Release

Title
Han-Eco 24B-HSM1-with SL-Mxx

Doc-Key / ECM-Nr.
100732663/UGD/004/A
500000132928

HARTING Electric GmbH & Co. KG

D-32339 Espelkamp

Type
TB

Number
19 43 X24 025X

Rev.
A

Page
1/1