

Panel feed-through - SACC-DSI-MS-5CON-M12-SCO SH - 1552968


Please be informed that the data shown in this PDF Document is generated from our Online Catalog. Please find the complete data in the user's documentation. Our General Terms of Use for Downloads are valid (<http://download.phoenixcontact.com>)



Sensor/actuator flush-type connector, 5-pos., M12-SPEEDCON, shielded, A-coded, rear/screw mounting with M12 thread, with straight solder connection



Key commercial data

Packing unit	1 PCE
Minimum order quantity	20 PCE
Catalog page	Page 49 (PC-2011)
GTIN	 4 046356 161992
Custom tariff number	85366990
Country of origin	GERMANY

Technical data

General data

Rated current at 40°C	4 A
Rated voltage	60 V
Number of positions	5
Volume resistance	≤ 3 mΩ
Insulation resistance	≥ 100 MΩ
Ambient temperature (operation)	-25 °C ... 85 °C (Plug / socket)

General characteristics

Standards/regulations	M12 plug-in connector IEC 61076-2-101
Coding	A - standard
Surge voltage category	II
Pollution degree	3

Panel feed-through - SACC-DSI-MS-5CON-M12-SCO SH - 1552968

Technical data

General characteristics

Degree of protection	IP67
Contact material	CuZn
Contact surface material	Au
Contact carrier material	PA 66
Material, knurls	Zinc die-cast, nickel-plated
Sealing material	NBR
Mounting type	Rear mounting M12 x 1 With flat nut
Connection method	Solder pins
Status display	No

Classifications

ETIM

ETIM 3.0	EC002061
ETIM 4.0	EC002062
ETIM 5.0	EC002062

UNSPSC

UNSPSC 11	31261501
UNSPSC 12.01	31261501
UNSPSC 13.2	31261501
UNSPSC 6.01	31261501
UNSPSC 7.0901	31261501

eCl@ss

eCl@ss 4.0	27250313
eCl@ss 4.1	27250313
eCl@ss 5.0	27143423
eCl@ss 5.1	27143423
eCl@ss 6.0	27143423
eCl@ss 7.0	27449001

Approvals

Approvals

Approvals

UL Recognized / GOST

Panel feed-through - SACC-DSI-MS-5CON-M12-SCO SH - 1552968

Approvals

Ex Approvals

Approvals submitted

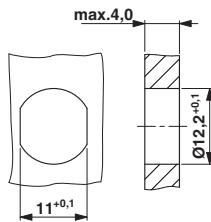
Approval details

UL Recognized	
mm ² /AWG/kcmil	26-20
Nominal current I _N	4 A
Nominal voltage U _N	60 V

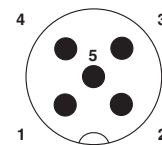
GOST	
------	--

Drawings

Dimensioned drawing



Schematic diagram

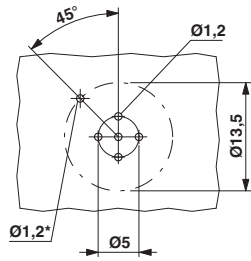


Pin assignment M12 male connector, 5-pos., A-coded, male side

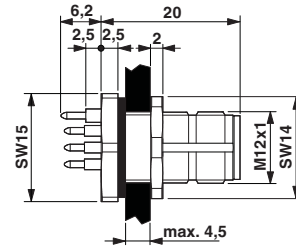
Panel cutout

Panel feed-through - SACC-DSI-MS-5CON-M12-SCO SH - 1552968

Drilling diagram

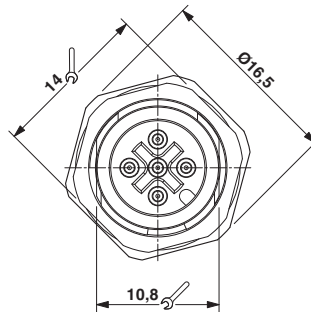


Dimensioned drawing



M12 SPEEDCON flush-type plug

Dimensioned drawing



Front view of M12 flush-type connector