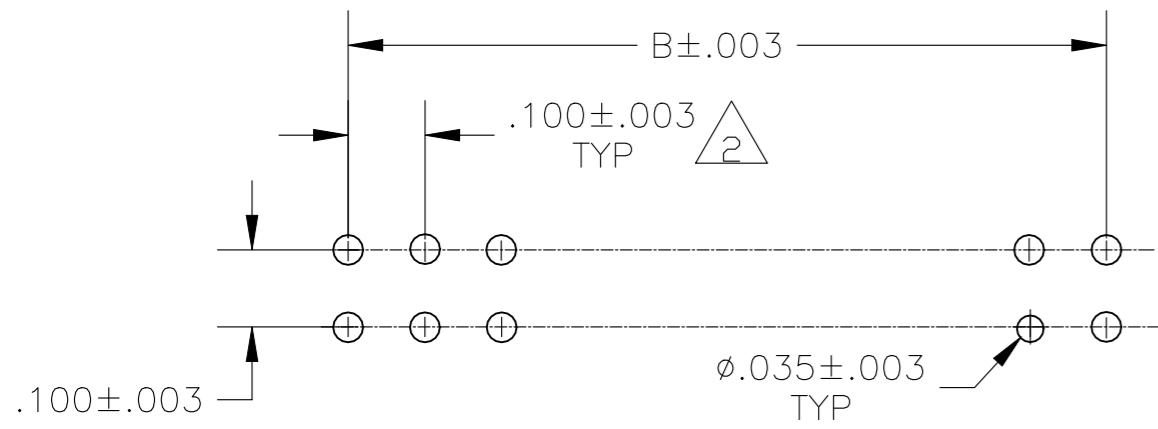
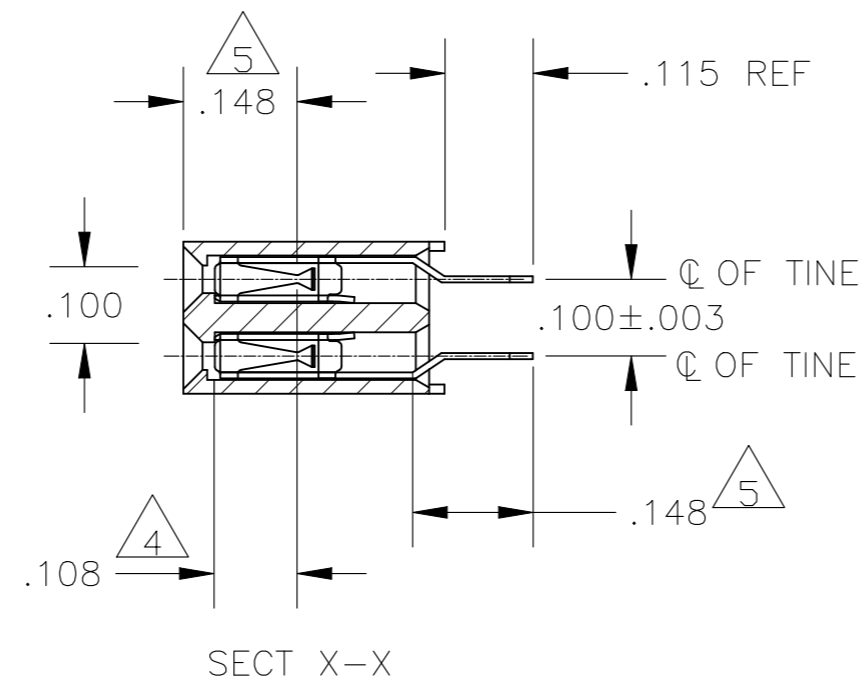
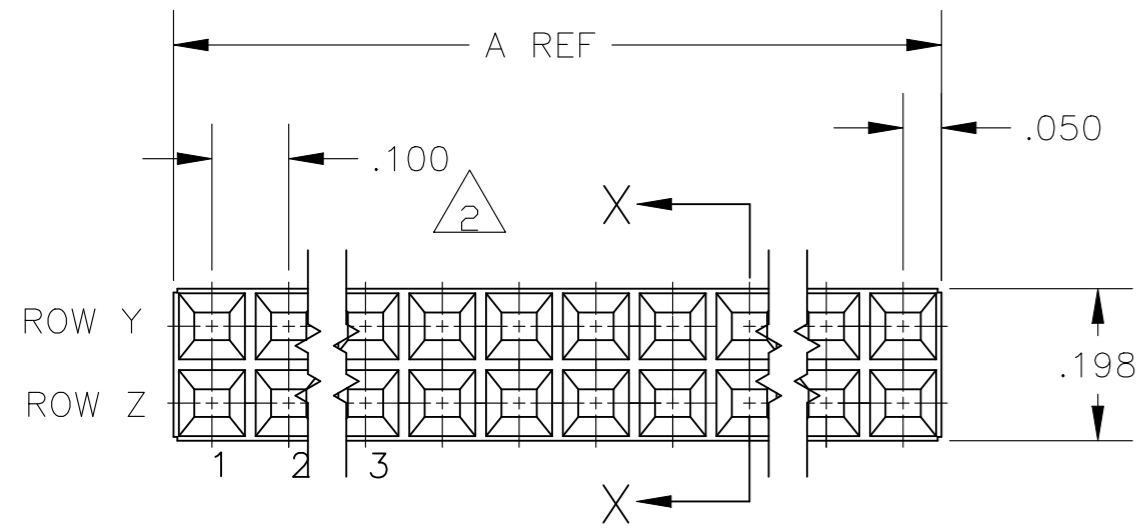
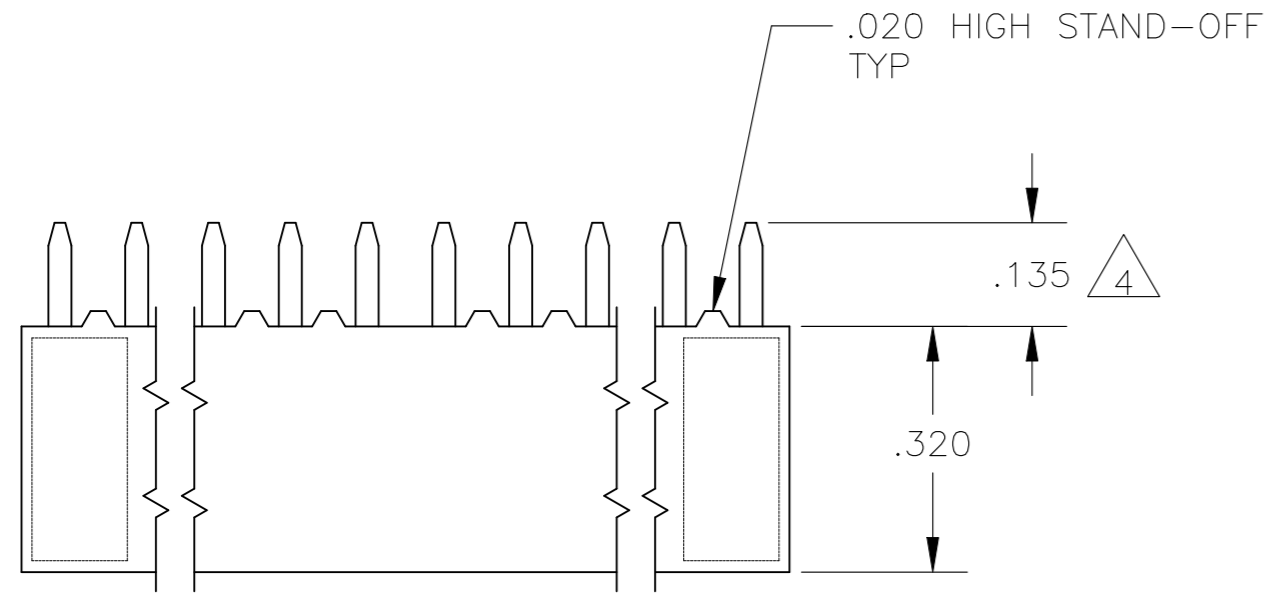


REVISIONS					
P	LTR	DESCRIPTION	DATE	DWN	APVD
G		RESIN SUPPLIER CHANGE FOR THE HOUSING	03DEC2021	SCB	KJK



RECOMMENDED HOLE LAYOUT

- 1 PART NUMBER AND DATE CODE MARKED IN APPROXIMATE LOCATION SHOWN
- 2 CONTACT: DUPLEX PLATED: .000010 GOLD ON CONTACT AREA, .000150-.000300 BRIGHT TIN-LEAD ON SOLDER LEADS, ALL OVER .000050 MINIMUM NICKEL.
- 3. TOLERANCE IS NON-CUMULATIVE.
- 4 POINT OF MEASUREMENT FOR PLATING THICKNESS (MEASURED INSIDE CONTACT BEAMS)
- 5 POINT OF CONTACT MEASUREMENT.
- 6. MATERIAL: HOUSING: GLASS FILLED POLYESTER-COLOR: BLACK CONTACT: PHOSPHOR BRONZE
- 7 CONTACT: DUPLEX PLATED: .000010 GOLD ON CONTACT AREA, .000150-.000300 MATTE TIN ON SOLDER LEADS, ALL OVER .000050 MINIMUM NICKEL.
- 8 ROHS 2002/95/EC COMPLIANT
- 9 TE LOGO AND CSA LOGO ARE MOLDED INTO HOUSING, THIS LOCATION.
- 10 OBSOLETE PARTS: OBSOLETE CIS STREAMLINING PER D.RENAUD/D.SINISI

	52	1,2,29&30	1,2,29&30	7	3.000	2.900	60	5-102766-4
OBSOLETE	44	1,2,25&26	1,2,25&26	7	2.600	2.500	52	5-102766-3
	30	1,2,18&19	1,2,18&19	7	1.900	1.800	38	5-102766-2
	40	1,2,23&24	1,2,23&24	7	2.400	2.300	48	5-102766-1
OBSOLETE	52	1,2,29&30	1,2,29&30	2	3.000	2.900	60	102766-4
	44	1,2,25&26	1,2,25&26	2	2.600	2.500	52	102766-3
	30	1,2,18&19	1,2,18&19	2	1.900	1.800	38	102766-2
10 SUPERCEDED	40	1,2,23&24	1,2,23&24	2	2.400	2.300	48	102766-1
NO ACTIVE POS		ROW Y	ROW Z	FINISH	A	B	NO OF POSN	PART NO
		CONTACTS OMITTED						

THIS DRAWING IS A CONTROLLED DOCUMENT.		DWN	14-5-81																		
DIMENSIONS: INCHES		CHK	15-5-81																		
TOLERANCES UNLESS OTHERWISE SPECIFIED:		APVD	20-5-81																		
<table border="0"> <tr><td>0 PLC</td><td>±</td><td>-</td></tr> <tr><td>1 PLC</td><td>±</td><td>-</td></tr> <tr><td>2 PLC</td><td>±</td><td>-</td></tr> <tr><td>3 PLC</td><td>±</td><td>-</td></tr> <tr><td>4 PLC</td><td>±</td><td>-</td></tr> <tr><td>ANGLES</td><td>±</td><td>-</td></tr> </table>		0 PLC	±		-	1 PLC	±	-	2 PLC	±	-	3 PLC	±	-	4 PLC	±	-	ANGLES	±	-	PRODUCT SPEC
0 PLC	±	-																			
1 PLC	±	-																			
2 PLC	±	-																			
3 PLC	±	-																			
4 PLC	±	-																			
ANGLES	±	-																			
MATERIAL	FINISH	WEIGHT	SCALE	SIZE	CAGE CODE	DRAWING NO	RESTRICTED TO														
6	CONTACTS: SEE TABLE	-	4:1	A2	00779	C=102766	-														
CUSTOMER DRAWING			SCALE	SHEET	REV																
			4:1	1 of 1	G																