

4

3

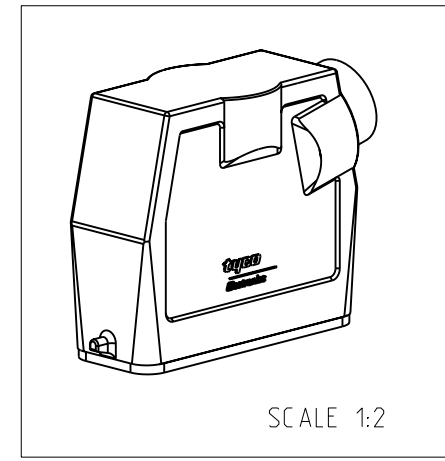
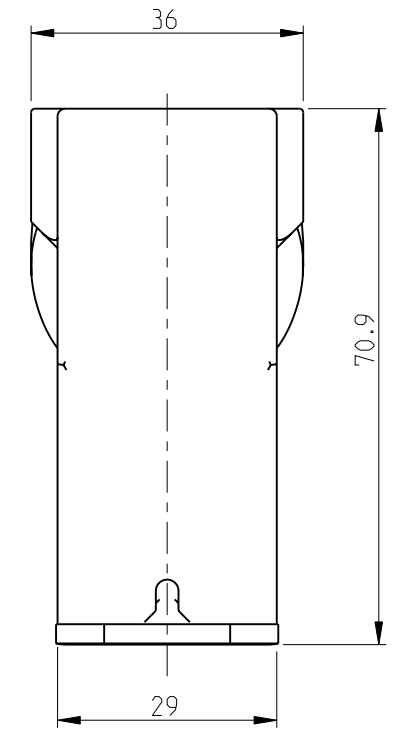
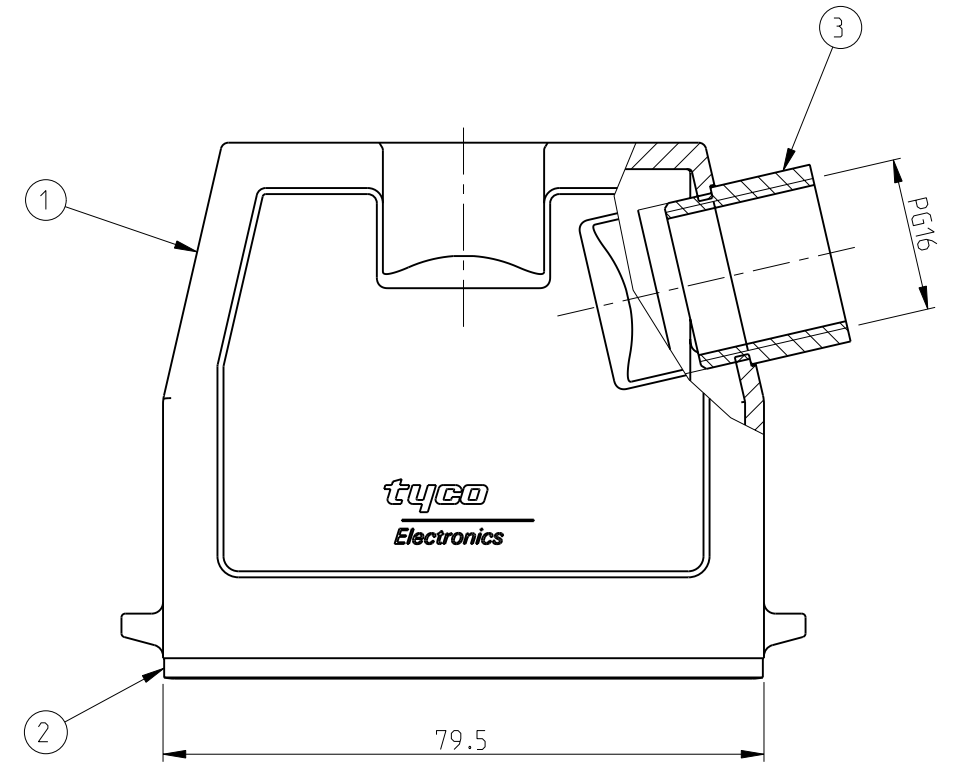
2

1

THIS DRAWING IS UNPUBLISHED. RELEASED FOR PUBLICATION 2000
 © COPYRIGHT 2000 BY TYCO ELECTRONICS CORPORATION. ALL RIGHTS RESERVED.

LOC	DIST	REVISIONS				
P	LTR	DESCRIPTION	DATE	DWN	APVD	
A1	-	B2	RELEASED AS PER ECR 09-005170	05-MAR-09	GG	TS

- NOTES:
- 1 MATERIAL: SEE TABLE
 - 2 COLOR: SEE TABLE
 - 3 VARNISH ON THE INSIDE NOT NECESSARY
 - 4 PACKAGING QUANTITY: 5 PIECES PER BOX



PN 1-7 AS SHOWN

1-7	DESCRIPTION	MATERIAL	SURFACE	COLOR	ITEM NO.	REMARKS
1	ADAPTOR ROUND	BRASS	NICKEL PLATED	BLUE	3	PG16
1	PROFILE SEAL	NEOPRENE		BLACK	2	
1	HOOD HD.25-PG THREADS	ALUMINIUM		GREY	1	

ORDERING TEXT
HD25.STS.1.16.Z

<small>THIS DRAWING IS A CONTROLLED DOCUMENT FOR TYCO ELECTRONICS CORPORATION IT IS SUBJECT TO CHANGE AND THE CONTROLLING ENGINEERING ORGANIZATION SHOULD BE CONTACTED FOR THE LATEST REVISION.</small>		DWN S.KUMAR 4/20/2006 CHK P.BENNUR 4/20/2006 APVD T.SCHNURPFEL 4/20/2006		Tyco Electronics,AMP.GmbH 53757,SanktAugustin,Germany	
DIMENSIONS: mm		TOLERANCES UNLESS OTHERWISE SPECIFIED: n.ISO 8015: n.ISO 2768-mH-E: n.DIN 16901-120		NAME HOOD HD25.STS.1.16.Z	
		0 PLC ± 1 PLC ± 2 PLC ± 3 PLC ± 4 PLC ± ANGLES ±		PRODUCT SPEC 180-74009 APPLICATION SPEC 114-74001 WEIGHT -	
MATERIAL 1		FINISH 2		SIZE A3 CAGE CODE 00779 DRAWING NO C=1102529 RESTRICTED TO -	
CUSTOMER DRAWING				SCALE 1:1 SHEET 1 OF 1 REV B2	