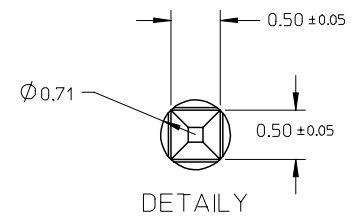
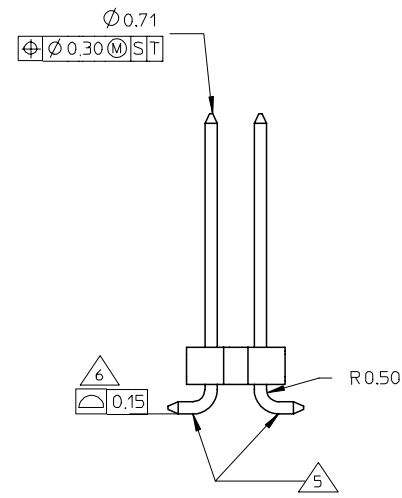
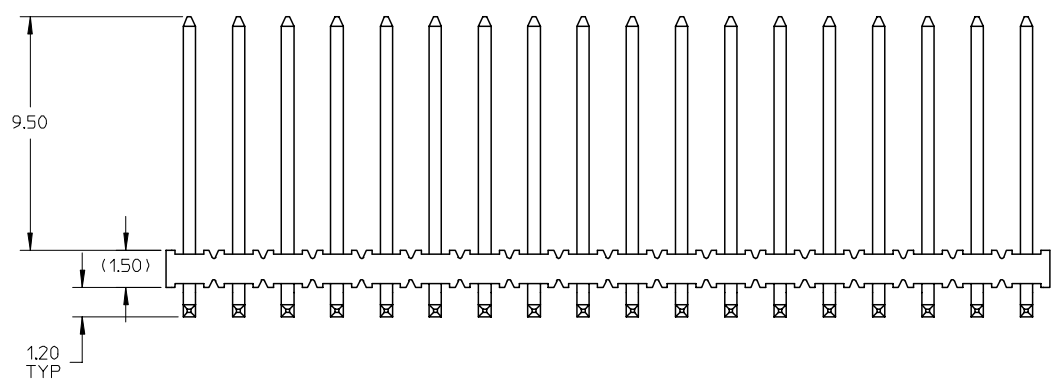
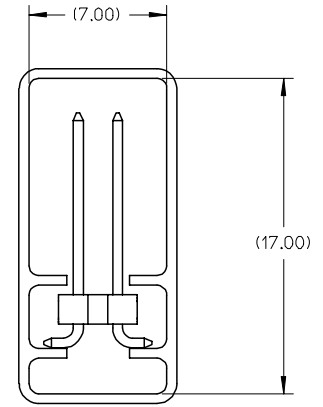
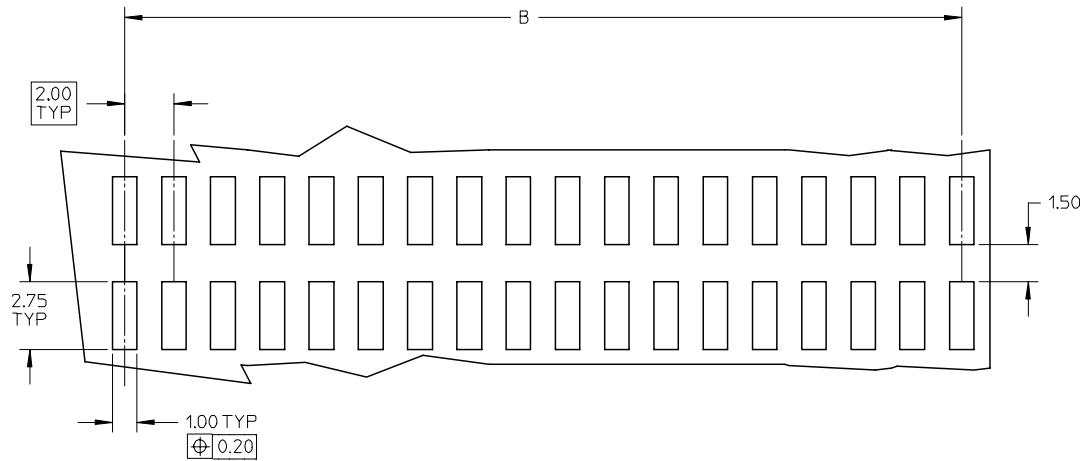


- NOTE:**
- MATERIAL:  
HSG & CAP - HIGH TEMPERATURE THERMOPLASTIC, UL 94V-0, COLOUR BLACK  
PIN - 0.50 SQ PHOSPHOR BRONZE
  - PLATING:  
0.38um MIN GOLD PLATE AT CONTACT AREA,  
TIN PLATE AT SOLDER AREA,  
BOTH OVER NICKEL UNDERPLATE
  - PIN PUSHOUT FORCE: 1KG MIN IN EITHER DIRECTION
  - PRODUCT SPEC PS-87761-100 APPLIES.
  - BEND DEPRESSION IS ACCEPTABLE SO LONG AS IT DOES NOT AFFECT THE OVERALL COPLANARITY OF TAIL.
  - COPLANARITY IS TO BE MEASURED BY RESTING THE SOLDER TAIL ON A FLAT SURFACE.
  - FOR ILLUSTRATION PURPOSES, 36CKT IS SHOWN
  - TUBE LENGTH IS 560MM REF STANDARD.
  - RECOMMENDED PCB BOARD THK IS 1.60±0.10 MM.



REVISED TUBE SPEC EC NO: S2007-0829 DRWNS:KLI M01 CHKD:CLAM APPR:KWLEE	DESCRIPTION 2007/04/10 2007/04/12 2007/04/17	QUALITY SYMBOLS ▽=0 ▽C=0	GENERAL TOLERANCES (UNLESS SPECIFIED)		DIMENSION STYLE MM ONLY		SCALE NTS	DESIGN UNITS METRIC	THIRD ANGLE PROJECTION		
			mm	INCH	DRAWN BY KSEE	DATE 2004/04/21	TITLE CUSTOM HEADER MGRID 2MM HEADER SMT				
			4 PLACES ± ---	± ---	CHECKED BY PTL IM	DATE 2004/04/22	APPROVED BY SCLOW				
			3 PLACES ± ---	± ---	APPROVED BY SCLOW	DATE 2004/04/27	MATERIAL NO. DOCUMENT NO. SD-87759-161				
	2 PLACES ± 0.2	± ---	DRAFT WHERE APPLICABLE MUST REMAIN WITHIN DIMENSIONS		SEE TABLE		SHEET NO. 1 OF 2				
	1 PLACE ± ---	± ---									
			ANGULAR ± 3 °								

PART NUMBER WITHOUT CAP IN TUBE	CKT SIZE	A	B
87759-0013	16	15.90	14.00
87759-0014	36	35.90	34.00



**PART IN TUBE  
ORIENTATION**

REVISED TUBE SPEC  
 EC NO: S2007-0829  
 DRWN:SKLIM01 2007/04/10  
 CHKD:CWAM 2007/04/12  
 APPR:KWLEE 2007/04/17

REV	DESCRIPTION

QUALITY SYMBOLS	$\nabla=0$
	$\nabla C=0$
	GENERAL TOLERANCES (UNLESS SPECIFIED)
	4 PLACES ± --- ± ---
	3 PLACES ± --- ± ---
2 PLACES ± 0.2 ± ---	
1 PLACE ± --- ± ---	
ANGULAR ± 3 °	
DRAFT WHERE APPLICABLE MUST REMAIN WITHIN DIMENSIONS	

DIMENSION STYLE MM ONLY	
DRAWN BY KSEE	DATE 2004/04/21
CHECKED BY PTL IM	DATE 2004/04/22
APPROVED BY SCLW	DATE 2004/04/27
MATERIAL NO.	
SEE TABLE	

SCALE NTS	DESIGN UNITS METRIC	THIRD ANGLE PROJECTION
TITLE CUSTOM HEADER MGRID 2MM HEADER SMT		
MOLEX INCORPORATED		
MATERIAL NO.	DOCUMENT NO. SD-87759-161	SHEET NO. 2 OF 2
SIZE A3 THIS DRAWING CONTAINS INFORMATION THAT IS PROPRIETARY TO MOLEX INCORPORATED AND SHOULD NOT BE USED WITHOUT WRITTEN PERMISSION		