

MATERIALS AND FINISHES:

SMA JACK BULKHEAD CONNECTOR:

BODY, CRIMP TUBE, JAM NUT: BRASS  
PLATED GOLD

CENTER CONTACT: BERYLLIUM COPPER  
PLATED GOLD

INSULATOR: TEFLON

LOCK WASHER: PHOSPHOR BRONZE  
PLATED GOLD

MHF® I LK CONNECTOR

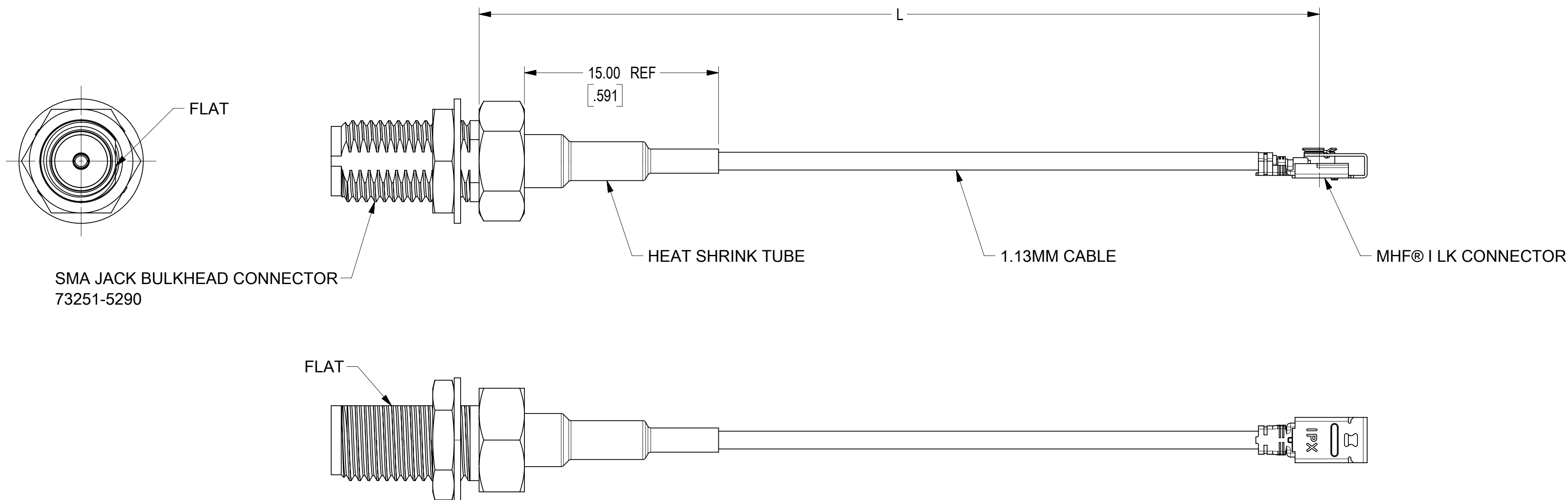
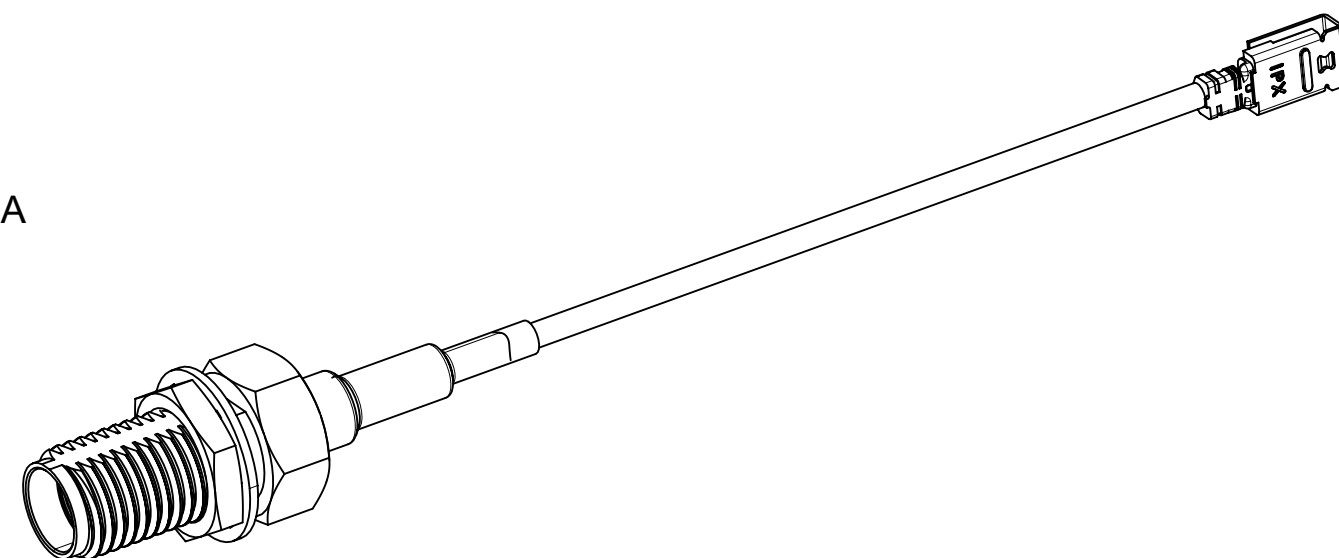
CABLE: 1.13MM CABLE

HEAT SHRINK TUBE: PE

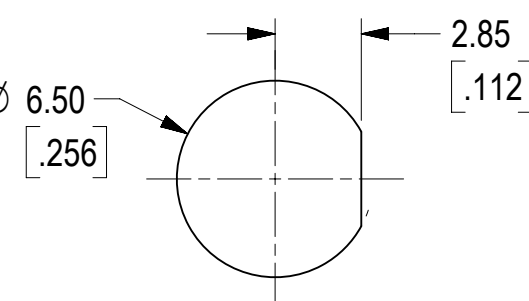
PERFORMANCE REQUIREMENTS

FREQUENCY RANGE: 0-6GHz  
IMPEDANCE: 50 Ω  
WITHSTAND VOLTAGE(AC): 350V @0.5mA  
CONTINUITY: 100% TEST

PACKAGING BY PLASTIC BAG



SMA JACK BULKHEAD CONNECTOR  
73251-5290



RECOMMENDED MOUNTING HOLE

73230-6235	50.80±3.00	2.00±.118
73230-6234	101.60±6.00	4.00±.236
73230-6233	152.40±6.00	6.00±.236
73230-6232	203.20±6.00	8.00±.236
73230-6231	254.00±6.00	10.00±.236
73230-6230	305.00±6.00	12.00±.236
MOLEX PART NO.	MM	IN
	L	

FUNCTIONAL SYMBOLS	THIS DRAWING CONTAINS INFORMATION THAT IS PROPRIETARY TO MOLEX ELECTRONIC TECHNOLOGIES, LLC AND SHOULD NOT BE USED WITHOUT WRITTEN PERMISSION		
DIMENSION UNITS	SCALE	CURRENT REV DESC: ADD NEW LENGTHS	
$\frac{F}{A} = 0$	MM/INCH	4:1	
$\frac{F}{C} = 0$	GENERAL TOLERANCES (UNLESS SPECIFIED)		
$\frac{F}{P} = 0$	ANGULAR TOL	±	°
DIVISIONAL SYMBOLS	4 PLACES	±	
	3 PLACES	±	
	2 PLACES	±	
	1 PLACE	±	
	0 PLACES	±	
DRAFT WHERE APPLICABLE MUST REMAIN WITHIN DIMENSIONS	THIRD ANGLE PROJECTION	DRAWING	SERIES
		C-SIZE	73230
EC NO: 745951		DRWN: MYLU07	2023/02/16
CHK'D: YHUANG11		APPR: LCHEN03	2023/04/25
INITIAL REVISION:		DRWN: MYLU07	2022/07/12
APPR: LCHEN03			2022/09/22
DOCUMENT NUMBER		DOC TYPE	DOC PART
732306230		PSD	000
MATERIAL NUMBER		CUSTOMER	SHEET NUMBER
SEE TABLE		GENERAL MARKET	1 OF 1
REVISION		A1	

DOCUMENT STATUS	P1	RELEASE DATE	2023/05/04	06:58:41
12	11	10	9	8