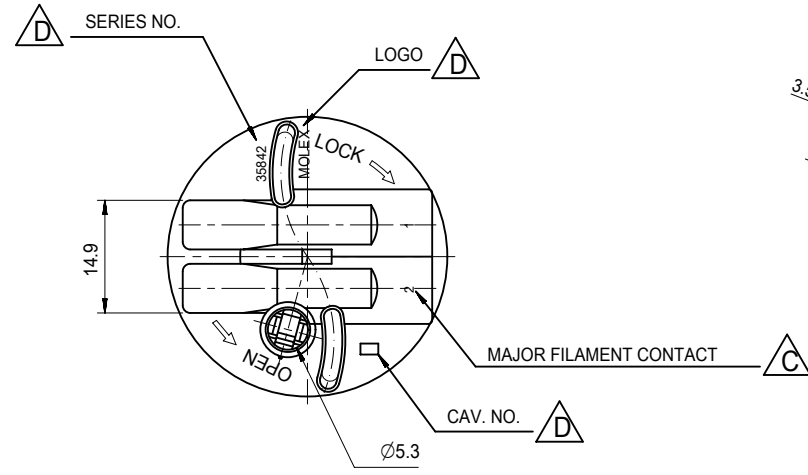


- NOTES
 1. FOCAL LENGTH = 31.8mm
 2. PRODUCT SPECIFICATION: PS-35842-001
 3. APPLICABLE BULB CAP: P21/5W(BAY15d)
 4. MATES WITH

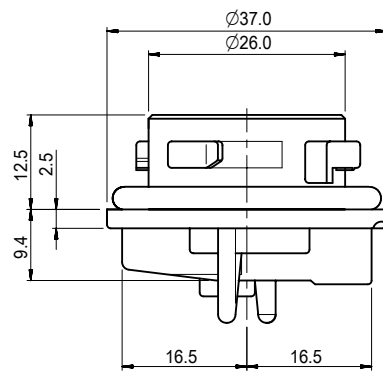
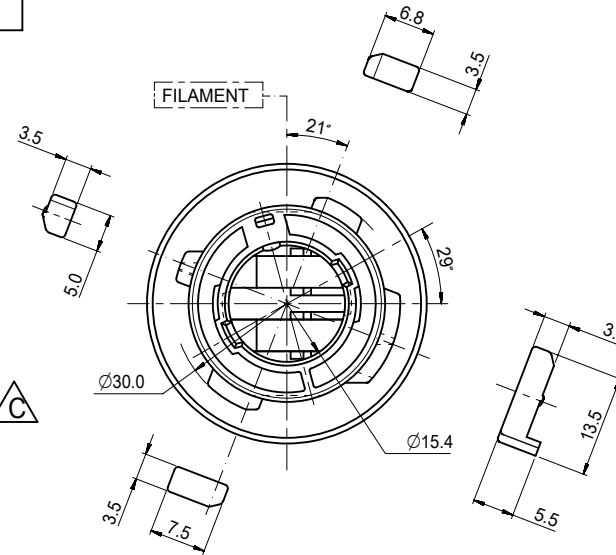
NO.	DESCRIPTION	MATERIAL	ORDER NO.	REMARK
③	POSITIVE TERMINAL	PHOSPHOR BRONZE	35464-8000	UNPLATED
④	POSITIVE WIRE SEAL	SILICONE	35903-0096	BROWN
⑤	EARTH TERMINAL	PHOSPHOR BRONZE	35465-8000	UNPLATED
⑥	EARTH WIRE SEAL	SILICONE	35903-0106	BLUE

<PART LIST>

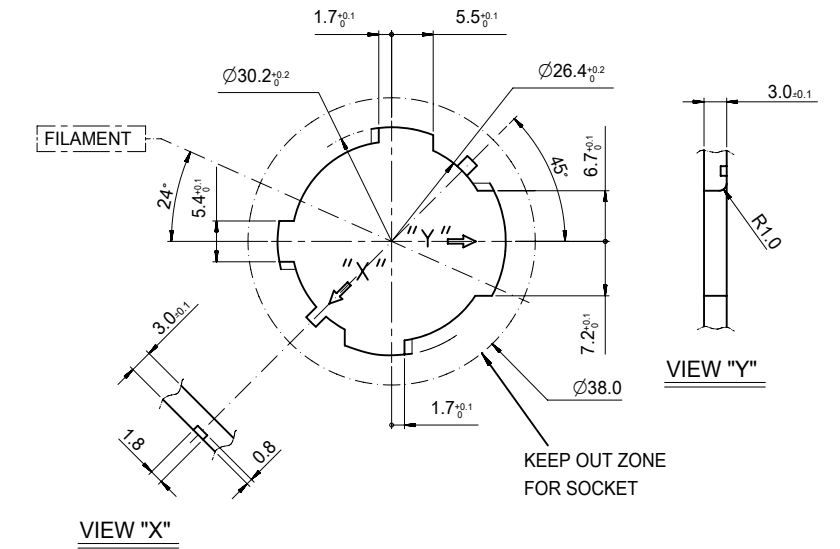
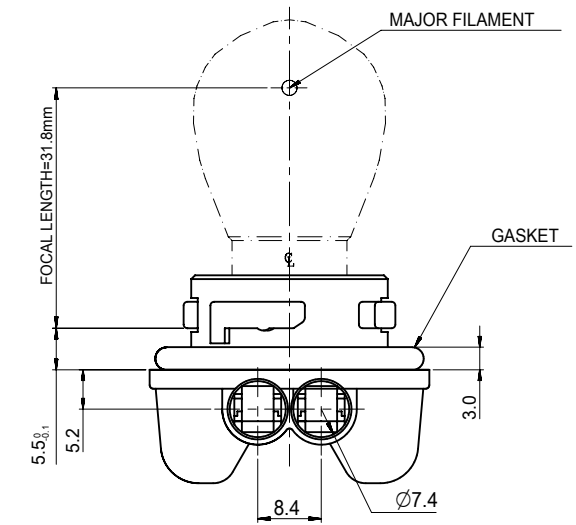
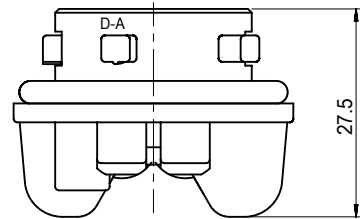
NO.	DESCRIPTION	MATERIAL	USAGE	REMARK
①	DOUBLE SOCKET	PA66 M/F	1	A TYPE
②	SEAL GASKET	SILICONE	1	BLUE



VIEW "A"



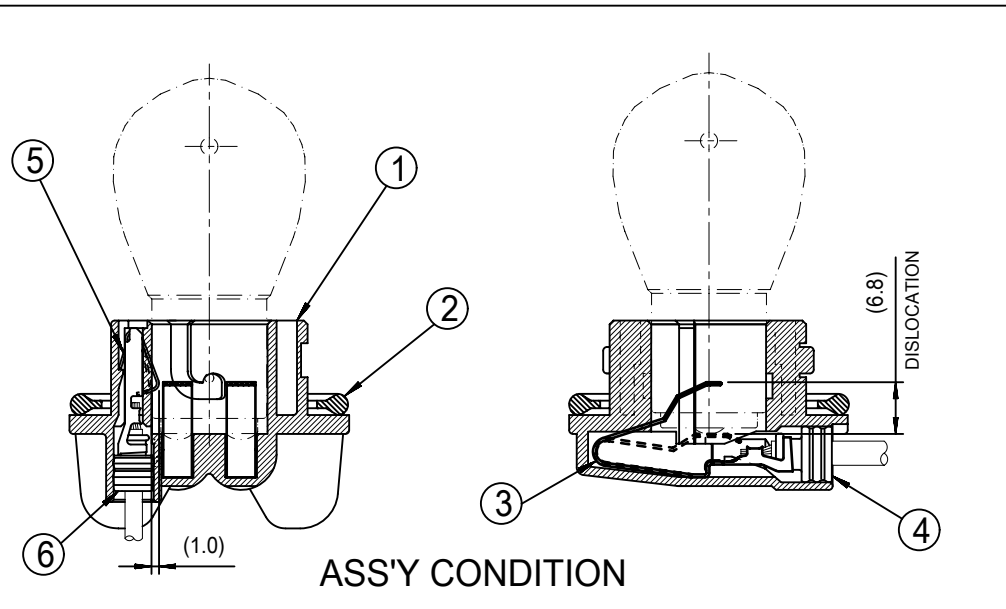
"A"



MOUNTING INTERFACE
(MI-4)

<TABLE 1>

MATERIAL NO.	ORDER NO.	COLOR
358422301	35842-2301	BLACK
358422305	35842-2305	GRAY
358422306	35842-2306	WHITE
358422307	35842-2307	BROWN



ASS'Y CONDITION

THIS DRAWING CONTAINS INFORMATION THAT IS PROPRIETARY TO MOLEX ELECTRONIC TECHNOLOGIES, LLC AND SHOULD NOT BE USED WITHOUT WRITTEN PERMISSION

QUALITY SYMBOLS	THIS DRAWING CONTAINS INFORMATION THAT IS PROPRIETARY TO MOLEX ELECTRONIC TECHNOLOGIES, LLC AND SHOULD NOT BE USED WITHOUT WRITTEN PERMISSION	DIMENSION UNITS		SCALE							
		mm		1:1							
▽ = 0	EC NO: 607528 DRWN: SAKIM CHKD: JHJANG APPR: JHJANG 2018/11/13 2018/11/14 2018/11/14	GENERAL TOLERANCES (UNLESS SPECIFIED)		DRWN BY	DATE	SEALED PT BULB SOCKET DOUBLE ASS'Y-A TYPE (SEAL GASKET-SILICONE)					
▽ = 0		ANGULAR TOL ± 2.0 °		EOKIM	2007/12/10						
▽ = 0		4 PLACES ±		CHK'D BY	DATE						
▽ = 0		3 PLACES ±		BCYOON	2007/12/10	PRODUCT CUSTOMER DRAWING					
▽ = 0		2 PLACES ± 0.15		APP'R BY	DATE						
▽ = 0		1 PLACE ± 0.25		YUNSIKKIM	2007/12/10	SERIES	MATERIAL NUMBER	CUSTOMER			
▽ = 0		0 PLACES ±		DRAWING SIZE		THIRD ANGLE PROJECTION		GENERAL MARKET			
▽ = 0		DRAFT WHERE APPLICABLE MUST REMAIN WITHIN DIMENSIONS		B							
▽ = 0		D1	REV					DOCUMENT NUMBER	DOC TYPE	DOC PART	SHEET NUMBER
								35842	SD-35842-230	PSD	001