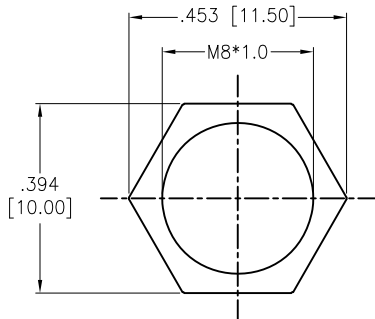
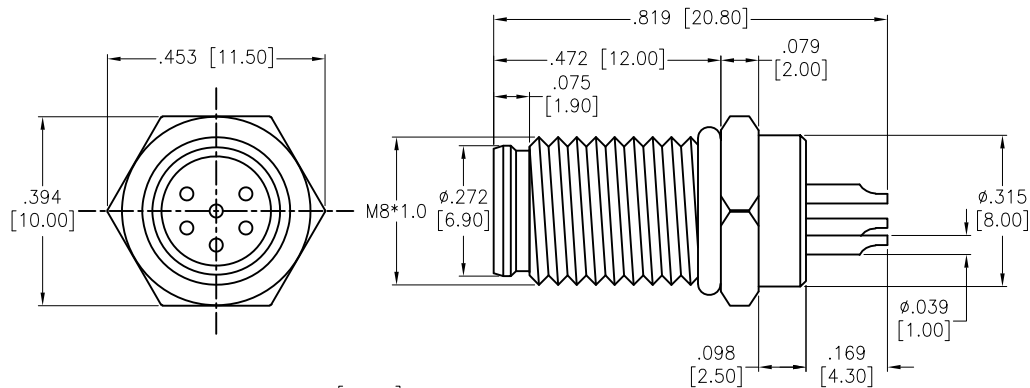
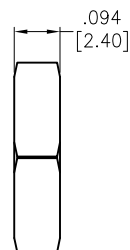


APPROVED: _____
 DATE: _____ TITLE: _____

Rev	AWO #	Description	Date	Appr
-		RELEASED	6/1/16	
A		UPDATE DRAWING	10/12/22	WX/CK



Nut

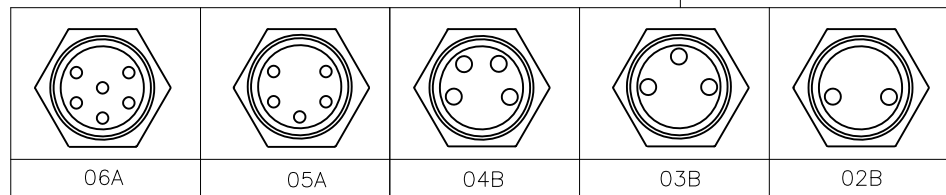


RECOMMENDED PANEL CUT

SD-MMEXXX-MMTPH-SX0-000
 7=IP67

SD-MMEXXX-MMTPH-SX0-000

HOUSING	PBT	BLACK
NUT	BRASS, NICKEL PLATED	
O-RING	NBR	BLACK
CONTACT	BRASS, 10u" GOLD PLATED	
SHELL	BRASS, NICKEL PLATED	
PART NAME	DESCRIPTION	COLOR



SPECIFICATIONS:
 Electrical:
 Voltage rating: 60V
 Current rating: XXA=1A, XXB=3A
 Temperature Rating:
 Operating temperature: -40°C to +105°C
 Environmental:
 Waterproof: IP67
 Lead free, RoHS compliant.



UNLESS OTHERWISE SPECIFIED ALL DIMENSIONS ARE INCHES [MM]. TOLERANCES: EXCEPT AS NOTED

INCHES		HOLES	
.X	± .10	∅X	± .10
.XX	± .020	∅XX	± .015
.XXX	± .015	∅XXX	± .010



909 Rahway Avenue,
 Union, NJ 07083
 Phone: 908-687-5000
 Fax: 908-687-5710

DRAWN	HR	6/1/16
CHECKED	CK	6/1/16
APPROVED		

TITLE WATERPROOF CONNECTOR, MALE, M8
 SCREW MOUNT, SOLDER TYPE

THIS DRAWING CONTAINS INFORMATION THAT IS PROPRIETARY AND SHOULD NOT BE USED WITHOUT PRIOR WRITTEN PERMISSION FROM ADAM TECH

SIZE	PART NO.	REV.
X	SD-MMEXXX-MMTPH-SX0-000	-

REF: S00298T SCALE: NTS SHEET 1 OF 1