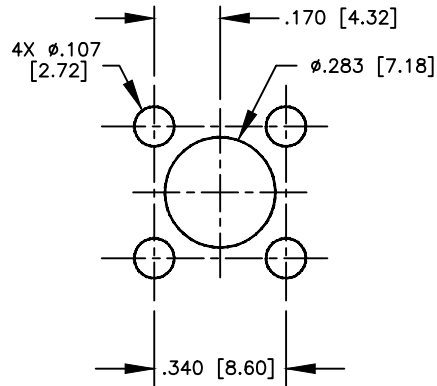


# SPECIFICATION CONTROL DRAWING

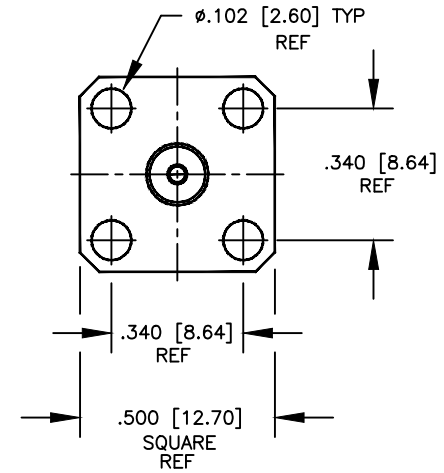
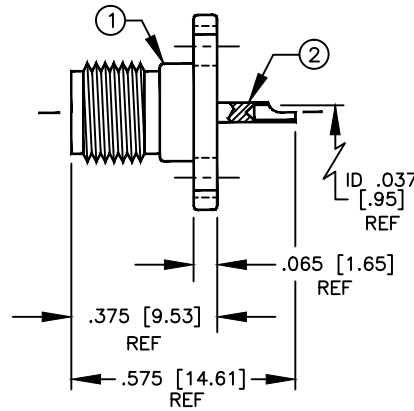
THIS DRAWING CONTAINS INFORMATION PROPRIETARY TO RF INDUSTRIES, LTD. ANY UNAUTHORIZED USE OF THIS DRAWING IS EXPRESSLY PROHIBITED. ANY VIOLATION IS PUNISHABLE UNDER U.S. COPYRIGHT LAWS.

REV	DESCRIPTION	DWN	DATE	APPROVED
A	ENGINEERING RELEASE	WMD	11/11/93	C. JONES
B	CHG PART # FROM RSA-2373 TO RSA-3271	WMD	1/3/94	C. JONES
C	CHANGE TERMINATION TO SOLDER POT	KMM	9/7/96	R. RICE

008974



SUGGESTED MOUNTING CONFIGURATION



## SPECIFICATIONS:

IMPEDANCE: 50 OHMS  
 WORKING VOLTAGE: 335 VRMS @ SEA LEVEL  
 FREQUENCY RANGE: 0-12.4 GHz

DIMENSIONS ARE IN INCHES AND [MILLIMETERS]

UNLESS OTHERWISE NOTED TOLERANCES ARE:

DECIMALS      DIAMETER

**RFconnectors**  
 DIVISION OF RF INDUSTRIES, LTD.

7610 MIRAMAR RD  
 SAN DIEGO, CA 92126  
 (619)549-6340  
 (619)549-6345 FAX

RSA-3271

SMA FEMALE 4 HOLE FLANGE PANEL MOUNT, SOLDER

ITEM	DESCRIPTION	QTY	MATERIAL	FINISH
5	RETAINING RING	1	BRASS	NICKEL
4	DIELECTRIC	1	PTFE	NONE
3	DIELECTRIC	1	PTFE	NONE
2	PIN	1	BeCu	GOLD
1	BODY	1	BRASS	NICKEL

DRAWN K. MAXWELL	9/7/96
CHECKED	
ORJ DRAWN K. MAXWELL	11/11/93
APPROVALS	DATE

SIZE A	CABLE GROUP N/A	DWG NO. 8250	REV C
SCALE: 2:1		CAD FILE 13ARC B	SHEET 1 OF 1