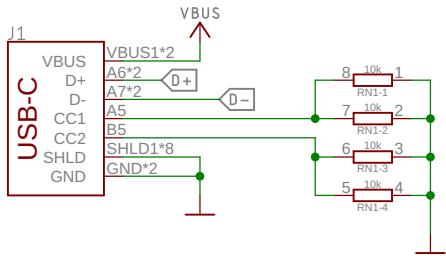
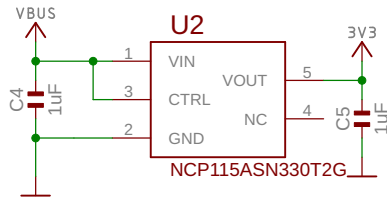


# Keybow 2040

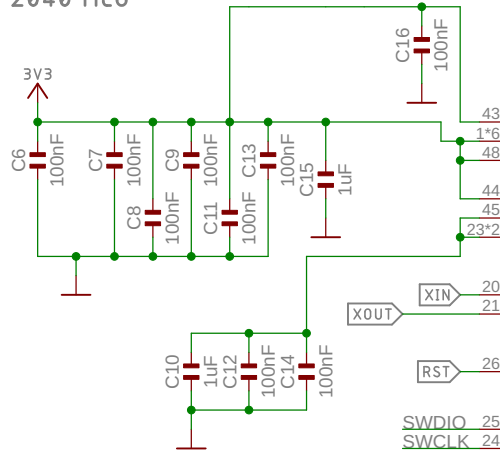
## USB-C connector



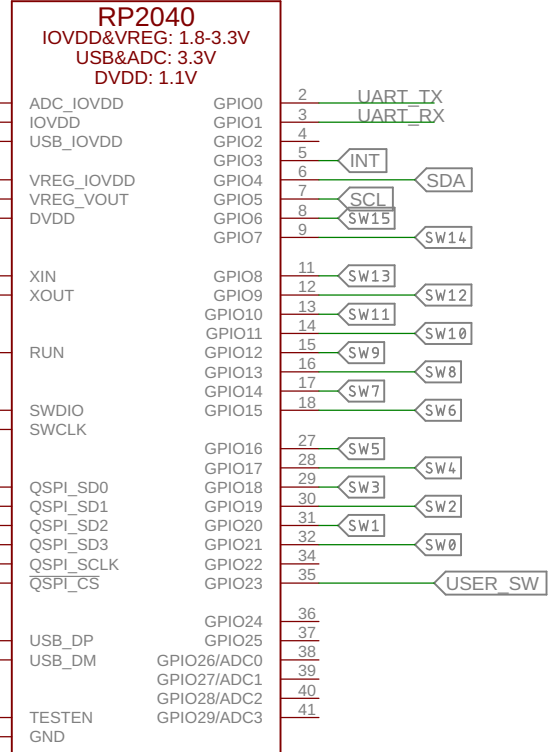
## LD0



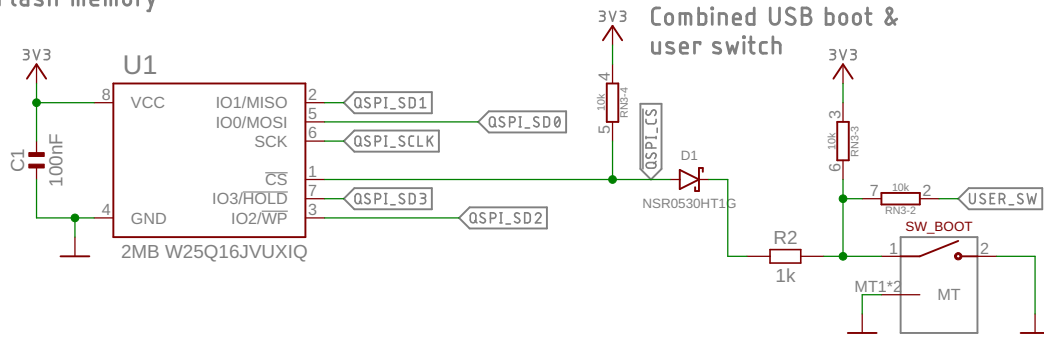
## RP2040 MCU



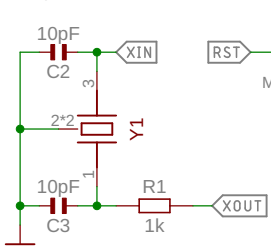
## MCU1



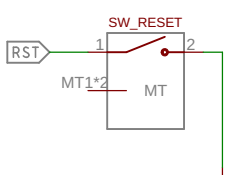
## Flash memory



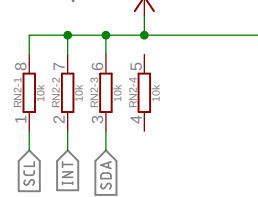
## Crystal



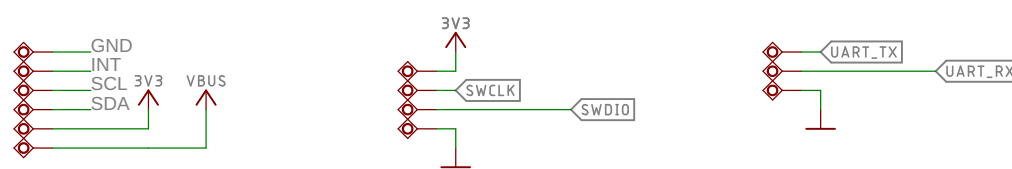
## Mr. Resetti



## Pullups



## Extension & Debug Headers

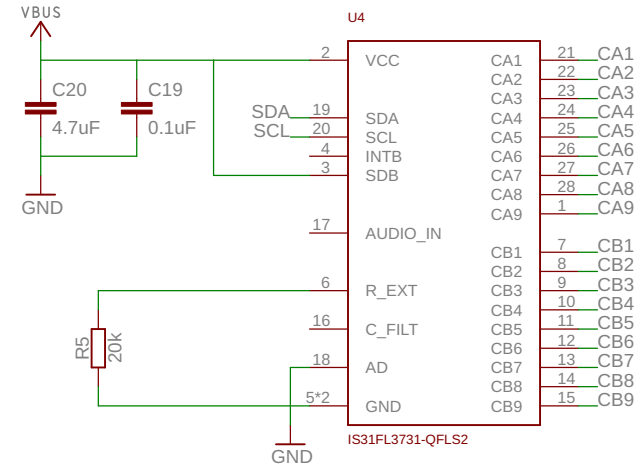


# Keybow 2040

## Switch sockets



## LED driver



## LEDs

