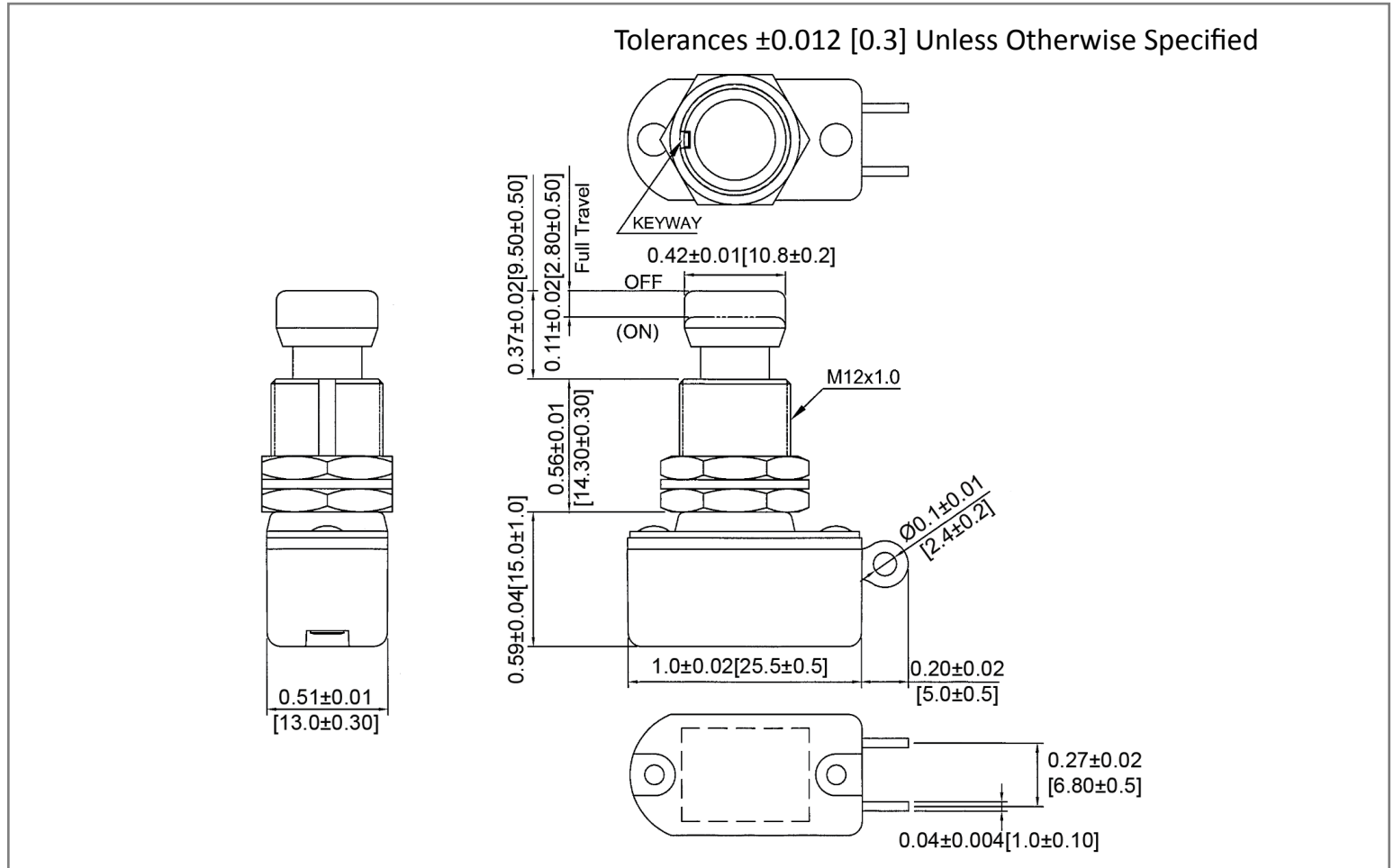
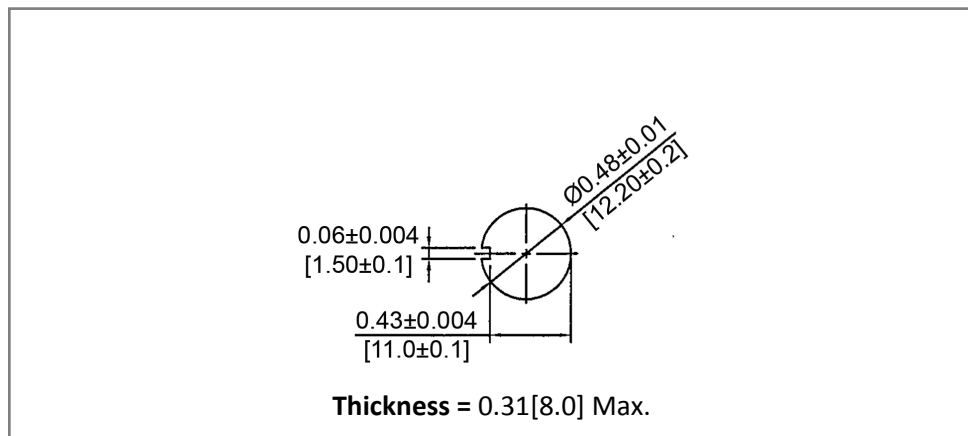


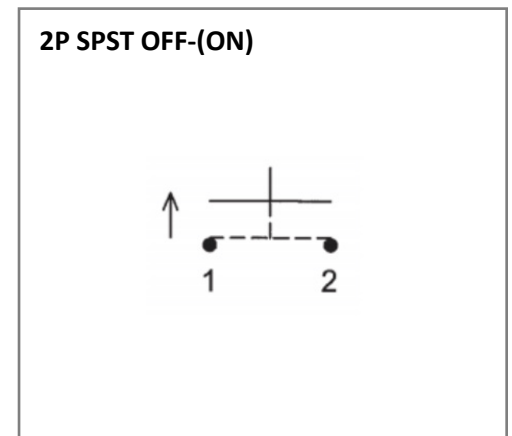
Mechanical Dimensions: Inches [mm]



Mounting Hole



Circuit Diagram



Electrical Specifications

Rating	10A 12V DC
Contact Resistance	50m ohm Max.
Insulation Resistance	DC 500V 100M ohm Min
Dielectric Strength	AC 1000V 1 minute
Operation Temperature	-20°C~65°C

Material Specifications

Frame	Black, PF
Actuator	Ni-plated, Brass
	2 Hex Nut Assy
	1 Spring Washer Assy

Rev **Date of issue** **Revision Notes**

Designed **Approved**

A	04-26-2021	Initial Drawing	RC	OF
---	------------	-----------------	----	----