



NO: TC-062 **PRODUCT:** E52 Temperature Sensors
DATE: December 2013 **TYPE:** Discontinuation Notice, 2 of 2

Additional E52 Temperature Sensors were Discontinued March 31, 2013

Omron discontinued a second group of E52 temperature sensors after the initial notice in April 2012. The following temperature sensors were discontinued and replaced with “Y type” or “-N” models:

Product Discontinuation	Recommended Replacement
Temperature Sensors	Temperature Sensors
Model E52-P□C Model E52-P□B Model E52-CA□B E52-IC□B Model E52-CA□C E52-IC□C Model E52-PR□C	Model E52-P□C-N Model E52-P□B-N Model E52-CA□B-N E52-IC□B-N Model E52-CA□C-N E52-IC□C-N Model E52-PR□C-N
Model E52-P6F Model E52-P10AE Model E52-CA□AS Model E52-IC□AS Model E52-CA6F E52-IC6F	Model E52-P6FY Model E52-P10AEY Model E52-CA□ASY Model E52-IC□ASY Model E52-CA6F-N E52-IC6F-N
Model E52-CA6D E52-IC6D Model E52-CA□AE Model E52-CA2GV Model Adapter E52-CA2GV Model E52-P2GS	Model E52-CA6D-N E52-IC6D-N Model E52-CA□AE-N Model E52-CA2GVY Model Y92F-S1 Model E52-P2GSY
Model E52-P10GR Model E52-P20GW Model E52-P10GP Model E52-CA□A-1 Model E52-IC20A-1 D=4.6 4M	Model E52-P10GRY Model E52-P20AY-7 Model E52-P10GPY Model E52-CA□AY-1 No recommended replacement
Model E52-P□A-1 Model E52-P5A-40 Model E52-CA□C-6 Model E52-P□C-6	Model E52-P□AY-1 Model E52-P5AY-40 Model E52-CA□C-N-6 Model E52-P□C-N-6
Model E52-CA20A-7 Model E52-P20A-7 Model E52-P20C-7	Model E52-CA20AY-7 Model E52-P20AY-7 Model E52-P20C-N-7

Difference from Discontinued Product

Recommended replacement Model	Body Color	Dimensions	Wire connection	Mounting dimensions	Characteristics	Operation ratings	Operation methods
E52-P□C-N	*	--	**	*	*	*	**
E52-P□B-N	--	--	**	*	*	*	**
E52-□□B-N	--	--	**	*	**	*	**
E52-□□C-N	*	--	**	*	**	*	**
E52-PR□C-N	*	--	**	*	**	*	**
E52-P6FY	**	*	**	**	**	**	**
E52-P10AEY	*	*	**	*	*	*	**
E52-□□ASY	*	*	**	**	**	**	**
E52-□6F-N	--	*	**	*	**	*	**
E52-□6D-N	--	*	**	*	**	*	**
E52-□10AE-N	--	*	**	*	**	*	**
E52-□2GVY	--	*	**	*	**	*	**
E52-P2GSY	*	*	**	*	**	*	**
E52-P10GRY	*	--	**	--	**	*	**
E52-P10GPY	*	*	**	*	**	*	**
E52-CA20AY-1	*	*	**	*	**	*	**
E52-P20AY-1	*	*	**	*	**	*	**
E52-P5AY-40	--	--	**	*	**	*	**
E52-CA□C-N-6	*	--	**	*	*	*	**
E52-P□C-N-6	*	--	**	*	*	*	**
E52-CA20AY-7	*	*	**	*	**	*	**
E52-P20AY-7	*	*	**	*	*	*	**
E52-P20C-N-7	*	--	**	*	**	*	**

- ** : Fully compatible
 * : The change is a little/Almost compatible
 -- : Not compatible
 - : No corresponding specification

Caution on Applying Recommended Replacement

1. The size of crimping terminal for all discontinued products is M4 (allows connection to M4 screw terminal block and M3.5 screw terminal block.); however, the size of “Y type” crimping terminal for all recommended replacements is M3.5 (allows connection to M3 screw terminal block and M3.5 screw terminal block.). Please be aware that “Y type” replacement sensors cannot be connected to M4 screw terminal blocks.

Recommended replacement: Model E52-P6FY, Model E52-P10AEY, Model E52-CA□ASY, Model E52-IC□ASY, Model E52-CA2GVY, Model 52-IC2GVY, Model E52-P2GSY, Model E52-P10GRY, Model E52-P10GPY, Model E52-CA20AY-1, Model E52-P20AY-1, Model E52-P5AY-40, Model E52-CA20AY-7, Model E52-P20AY-7

Discontinued product E52-P20GW has an M3.5 round type crimping terminal; however, the recommended replacement E52-P20AY-7 has an M3.5 Y-type crimping terminal.

2. For models with terminal box, the shape and dimension of the terminal box have changed. Please note the surrounding configuration and objects that may interfere with the installation of the replacement product.

Recommended replacement: Model E52-P□C-N, Model E52-P□B-N, Model E52-CA□B-N, Model E52-IC□B-N, Model E52-CA□C-N, Model E52-IC□C-N, Model E52-PR□C-N, Model E52-P20C-N-7

3. In the explosion-proof type, the explosion-proof specification and the shape/dimension of terminal box have changed. Please note the needed explosion-proof level, the surrounding configuration and objects that may interfere with the installation of the replacement product.

Recommended replacement: Model E52-CA□C-N-6, Model E52-P□C-N-6

There are no performance differences between the recommended replacement and the discontinued product due to the change of parts used and internal configuration.

Affected Parts

Product discontinuation	Recommendable replacement
E52-P20C D=3.2	E52-P20C-N D=3.2
E52-P20C D=4.8	E52-P20C-N D=4.8
E52-P20C D=6.4	E52-P20C-N D=6.4
E52-P35C D=4.8	E52-P35C-N D=4.8
E52-P35C D=6.4	E52-P35C-N D=6.4
E52-P35C D=10	E52-P35C-N D=10
E52-P50C D=4.8	E52-P50C-N D=4.8
E52-P50C D=6.4	E52-P50C-N D=6.4
E52-P50C D=8	E52-P50C-N D=8
E52-P50C D=10	E52-P50C-N D=10
E52-P75C D=6.4	E52-P75C-N D=6.4
E52-P75C D=10	E52-P75C-N D=10
E52-P20B D=8	E52-P20B-N D=8
E52-P50B D=8	E52-P50B-N D=8
E52-CA20B D=3.2	E52-CA20B-N D=3.2
E52-CA20B D=6.4	E52-CA20B-N D=6.4
E52-CA35B D=6.4	E52-CA35B-N D=6.4
E52-CA50B D=3.2	E52-CA50B-N D=3.2
E52-CA100B D=10	E52-CA100B-N D=10
E52-IC20B D=3.2	E52-IC20B-N D=3.2
E52-IC20B D=6.4	E52-IC20B-N D=6.4
E52-IC35B D=3.2	E52-IC35B-N D=3.2
E52-IC50B D=6.4	E52-IC50B-N D=6.4
E52-IC75B D=8	E52-IC75B-N D=8
E52-IC100B D=10	E52-IC100B-N D=10
E52-CA20C D=3.2	E52-CA20C-N D=3.2
E52-CA20C D=4.8	E52-CA20C-N D=4.8
E52-CA20C D=6.4	E52-CA20C-N D=6.4
E52-CA35C D=3.2	E52-CA35C-N D=3.2
E52-CA35C D=4.8	E52-CA35C-N D=4.8
E52-CA35C D=6.4	E52-CA35C-N D=6.4
E52-CA35C D=8	E52-CA35C-N D=8
E52-CA35C D=10	E52-CA35C-N D=10
E52-CA35C D=15	E52-CA35C-N D=15
E52-CA50C D=3.2	E52-CA50C-N D=3.2
E52-CA50C D=4.8	E52-CA50C-N D=4.8
E52-CA50C D=6.4	E52-CA50C-N D=6.4
E52-CA50C D=8	E52-CA50C-N D=8
E52-CA50C D=10	E52-CA50C-N D=10
E52-CA50C D=22	E52-CA50C-N D=22
E52-CA75C D=4.8	E52-CA75C-N D=4.8
E52-CA75C D=8	E52-CA75C-N D=8
E52-CA75C D=10	E52-CA75C-N D=10
E52-CA75C D=15	E52-CA75C-N D=15
E52-CA100C D=10	E52-CA100C-N D=10
E52-IC20C D=3.2	E52-IC20C-N D=3.2
E52-IC20C D=4.8	E52-IC20C-N D=4.8
E52-IC20C D=6.4	E52-IC20C-N D=6.4
E52-IC35C D=4.8	E52-IC35C-N D=4.8
E52-IC35C D=6.4	E52-IC35C-N D=6.4
E52-IC35C D=8	E52-IC35C-N D=8
E52-IC35C D=10	E52-IC35C-N D=10
E52-IC35C D=12	E52-IC35C-N D=12

Product discontinuation	Recommendable replacement
E52-IC50C D=3.2	E52-IC50C-N D=3.2
E52-IC50C D=6.4	E52-IC50C-N D=6.4
E52-IC50C D=8	E52-IC50C-N D=8
E52-IC50C D=12	E52-IC50C-N D=12
E52-IC75C D=4.8	E52-IC75C-N D=4.8
E52-IC75C D=6.4	E52-IC75C-N D=6.4
E52-P6F 2M	E52-P6FY 2M
E52-P10AE 1M	E52-P10AEY 1M
E52-P10AE 2M	E52-P10AEY 2M
E52-P10AE 4M	E52-P10AEY 4M
E52-CA6AS 1M	E52-CA6ASY 1M
E52-CA6AS 4M	E52-CA6ASY 4M
E52-CA10AS 1M	E52-CA10ASY 1M
E52-CA10AS 2M	E52-CA10ASY 2M
E52-CA10AS 4M	E52-CA10ASY 4M
E52-CA15AS 2M	E52-CA15ASY 2M
E52-CA15AS 4M	E52-CA15ASY 4M
E52-CA20AS 4M	E52-CA20ASY 4M
E52-IC6AS 1M	E52-IC6ASY 1M
E52-IC6AS 2M	E52-IC6ASY 2M
E52-IC6AS 4M	E52-IC6ASY 4M
E52-IC10AS 1M	E52-IC10ASY 1M
E52-IC10AS 2M	E52-IC10ASY 2M
E52-IC10AS 4M	E52-IC10ASY 4M
E52-IC15AS 2M	E52-IC15ASY 2M
E52-IC15AS 4M	E52-IC15ASY 4M
E52-IC20AS 1M	E52-IC20ASY 1M
E52-IC20AS 4M	E52-IC20ASY 4M
E52-CA6F 1M	E52-CA6F-N 1M
E52-CA6F 4M	E52-CA6F-N 4M
E52-IC6F 1M	E52-IC6F-N 1M
E52-CA6D 1M	E52-CA6D-N 1M
E52-CA6D 2M	E52-CA6D-N 2M
E52-CA6D 4M	E52-CA6D-N 4M
E52-IC6D 1M	E52-IC6D-N 1M
E52-IC6D 2M	E52-IC6D-N 2M
E52-IC6D 4M	E52-IC6D-N 4M
E52-P2GS 2M	E52-P2GSY 2M
E52-P10GR 2M	E52-P10GRY 2M
E52-P10GP 4M	E52-P10GPY 4M
E52-CA20A-1 D=6 2M	E52-CA20AY-1 D=6 2M
E52-CA20A-1 D=8 2M	E52-CA20AY-1 D=8 2M
E52-P20A-1 D=4.6 2M	E52-P20AY-1 D=4.6 2M
E52-P5A-40 4M	E52-P5AY-40 4M
E52-CA20A-7 D=3.2 2M	E52-CA20AY-7 D=3.2 2M
E52-CA20A-7 D=4.8 2M	E52-CA20AY-7 D=4.8 2M
E52-CA20A-7 D=6.4 2M	E52-CA20AY-7 D=6.4 2M
E52-CA20A-7 D=8.0 2M	E52-CA20AY-7 D=8.0 2M
E52-P20A-7 D=4.8 2M	E52-P20AY-7 D=4.8 2M
E52-P20A-7 D=6.4 2M	E52-P20AY-7 D=6.4 2M
E52-P20C-7 D=4.8	E52-P20C-N-7 D=4.8
E52-P20C-7 D=6.4	E52-P20C-N-7 D=6.4
E52-PR50C D=17 PT1	E52-PR50C-N D=15 PT1
E52-PR75C D=17 PT1	E52-PR75C-N D=15 PT1
E52-PR100C D=17 PT1	E52-PR100C-N D=15 PT1

Body Color and Material

Product discontinuation Model E52-P□C	Recommended replacement Model E52-P□C-N
①Sheath material [Sheath outer diameter=3.2, 4.8, 6.4 type] SUS316 ②Protective tubing material [Protective tubing outer diameter=8.0 type] SUS316	①Sheath material [Sheath outer diameter=3.2, 4.8, 6.4 type] ASTM316L ②Sheath material(changed from protective tubing) [Sheath outer diameter=8.0 type] ASTM316L

Product discontinuation Model E52-P□B	Recommended replacement Model E52-P□B-N
①Protective tubing material SUS316 ②Armored color of terminal box Black	①Sheath material (changed from protective tubing) ASTM316L ②Armored color of terminal box Metallic silver

Product discontinuation Model E52-CA□B E52-IC□B	Recommended replacement Model E52-CA□B-N E52-IC□B-N
①Armored color of terminal box Black ②Sheath material [Sheath outer diameter=3.2, 4.8, 6.4, 8.0 type] SUS316	①Armored color of terminal box Metallic silver ②Sheath material [Sheath outer diameter=3.2, 4.8, 6.4, 8.0 type] ASTM316L

Product discontinuation Model E52-CA□C E52-IC□C	Recommended replacement Model E52-CA□C-N E52-IC□C-N
①Sheath material [Sheath outer diameter=3.2, 4.8, 6.4, 8.0 type] SUS316	①Sheath material [Sheath outer diameter=3.2, 4.8, 6.4, 8.0 type] ASTM316L

Product discontinuation Model E52-P10AE	Recommended replacement Model E52-P10AEY
①Y type crimping terminal sleeve color [A] Red [B] White [B] White ②Protective tubing material SUS304	①Y type crimping terminal sleeve color [A] Clear [B] Clear [B] Clear ②Protective tubing material SUS316

Product discontinuation Model E52-CA□AS E52-IC□AS	Recommended replacement Model E52-CA□ASY E52-IC□ASY
①Y type crimping terminal sleeve color Red (+) White (-)	①Y type crimping terminal sleeve color Red (+) Blue (-)

Product discontinuation Model E52-CA6F E52-IC6F	Recommended replacement Model E52-CA6F-N E52-IC6F-N
①Compensating lead wire type Glass-wool-covered ②Compensating lead wire color [K] Blue line in the white ground [J] Yellow line in the white ground ③Element color White/Red stripe (+) White (-)	①Compensating lead wire type Fluororesin-covered ②Compensating lead wire color [K] Blue [J] Yellow ③Element color Red (+) White (-)

Product discontinuation Model E52-CA6D E52-IC6D	Recommended replacement Model E52-CA6D-N E52-IC6D-N
①Compensating lead wire type Glass-wool-covered ②Compensating lead wire color [K] Blue line in the white ground [J] Yellow line in the white ground ③Element color White/Red stripe (+) White (-)	①Compensating lead wire type Fluororesin-covered ②Compensating lead wire color [K] Blue [J] Yellow ③Element color Red (+) White (-)

Product discontinuation Model E52-CA□AE	Recommended replacement Model E52-CA□AE-N
①Compensating lead wire type Glass-wool-covered ②Compensating lead wire color [K] Blue line in the white ground ③Element color White/Red stripe (+) White (-)	①Compensating lead wire type Fluororesin-covered ②Compensating lead wire color [K] Blue ③Element color Red (+) White (-)

Product discontinuation Model E52-CA2GV	Recommended replacement Model E52-CA2GVY
①Element color [K] White/Red stripe (+) White/Blue stripe (-)	①Element color [K] White/Red stripe (+) White (-)

Product discontinuation Model E52-P2GS	Recommended replacement Model E52-P2GSY
①Y type crimping terminal sleeve color [A] Red [B] White [B] White ②Lead wire peel color [A] Red [B] White [B] Black	①Y type crimping terminal sleeve color [A] Clear [B] Clear [B] Clear ②Lead wire peel color [A] Red [B] White [B] White

Product discontinuation Model E52-P20GW	Recommended replacement Model E52-P20AY-7
①Y type crimping terminal sleeve color [A] Red [B] White [B] White ②Element covered color [A1] Red [B1] Black [B1] White [A2] Brown [B2] Yellow [B2] Green ③Protective tubing material SUS304	①Y type crimping terminal sleeve color [A] Clear [B] Clear [B] Clear ②Element covered color 1-[A] Red [B] White [B] White 2-[A] Red [B] White [B] White ③Sheath material(changed from protective tubing) ASTM316L

Product discontinuation Model E52-CA□A-1 E52-IC□A-1	Recommended replacement Model E52-CA□AY-1 E52-IC□AY-1
①Protective tubing material SUS304 ②Sleeve filled material Araldite resin	①Protective tubing material ASTM316L ②Sleeve filled material Epoxy resin

Product discontinuation Model E52-P□A-1	Recommended replacement Model E52-P□AY-1
①Sleeve filled material Araldite resin	①Sleeve filled material Epoxy resin

Product discontinuation Model E52-P5A-40	Recommended replacement Model E52-P5AY-40
①Y type crimping terminal sleeve color [A] Red [B] White [B] White ②Protective tubing color Blue ③Cover material of lead wire Fluororesin-coverd (PFA) (core wire) ④Protective tubing material Fluororesin-molded (FEP) covering	①Y type crimping terminal sleeve color [A] Clear [B] Clear [B] Clear ②Protective tubing color Clear ③Cover material of lead wire Fluororesin (FEP) (With cover) ④Protective tubing material Fluororesin tubing (FEP) (Element part: Fluororesin-molded (FEP))

Product discontinuation Model E52-CA□C-6	Recommended replacement Model E52-CA□C-N-6
①Protective tubing material Part L2: SUS316	①Protective tubing material Part L2: ASTM316L

Product discontinuation Model E52-P□C-6	Recommended replacement Model E52-P□C-N-6
①Protective tubing material Part L2: SUS316	①Protective tubing material Part L2: ASTM316L

Product discontinuation Model E52-CA20A-7	Recommended replacement Model E52-CA20AY-7
①Protective tubing material SUS304	①Protective tubing material ASTM316L

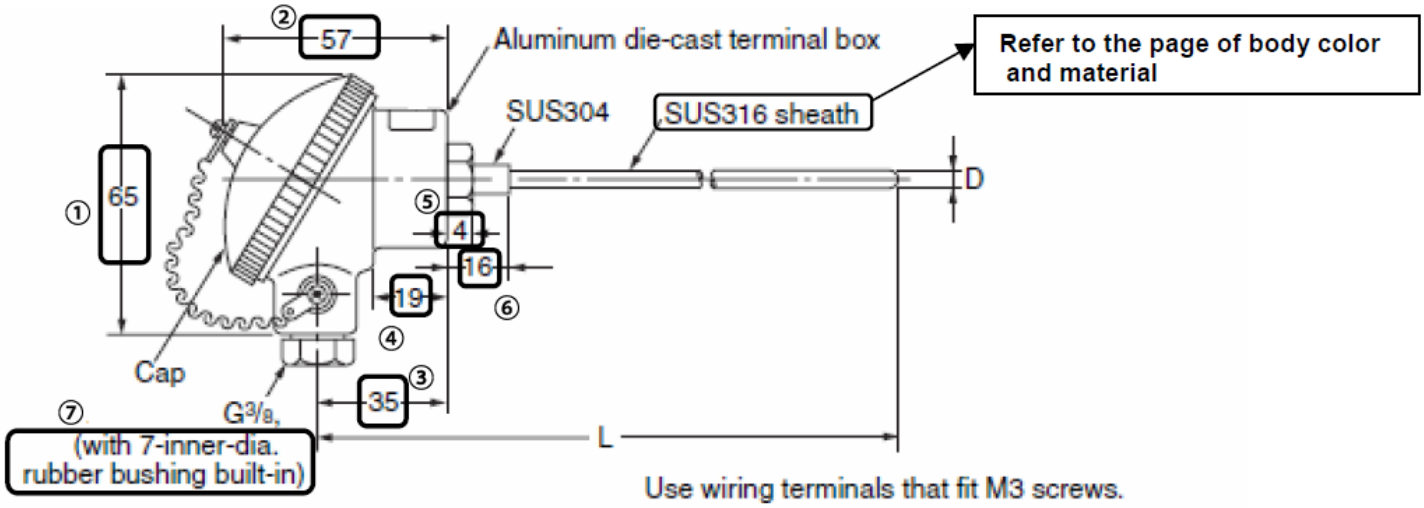
Product discontinuation Model E52-P20A-7	Recommended replacement Model E52-P20AY-7
①Y type crimping terminal sleeve color [A] Red [B]White [B] White ②Element covered color [A1] Red [B1] Black [B1] White [A2] Brown [B2] Yellow [B2] Green ③Protective tubing material SUS304 ①Sleeve filled material Araldite resin	①Y type crimping terminal sleeve color [A] Clear [B] Clear [B] Clear ②Element covered color 1-[A] Red [B]White [B] White 2-[A] Red [B] White [B] White ③Sheath material(changed from protective tubing) ASTM316L ①Sleeve filled material Epoxy resin

Product discontinuation Model E52-P20C-7	Recommended replacement Model E52-P20C-N-7
①Protective tubing material SUS316	①Protective tubing material ASTM316L

Dimensions (Unit: mm)

Product discontinuation ⇒ Recommended replacement
 Model E52-P□C ⇒ Model E52-P□C-N

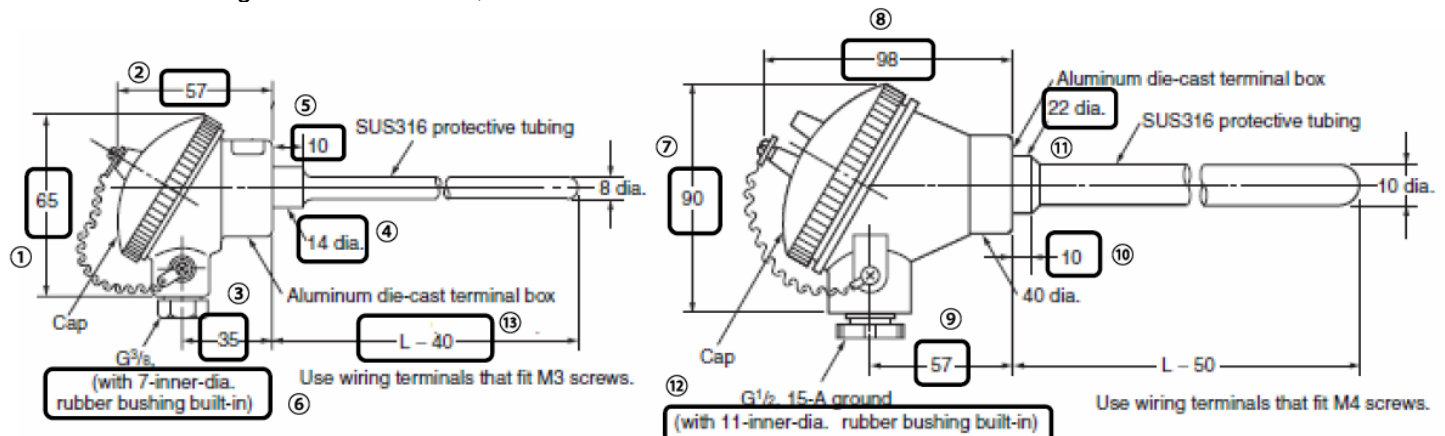
■ Protective tubing outer diameter = 3.2, 4.8, 6.4



Dimensions are given in millimeters, except for the length (L), which is provided in centimeters.

No.	Item	Product discontinuation Model E52-P□C	Recommended replacement Model E52-P□C-N
1.	Aluminum die-cast terminal box (Unit: mm)	①65 ②57 ③35 ④19 ⑤4 ⑥16 ⑦7-inner-dia.	①66 ②67 ③40 ④15 ⑤5 ⑥15 ⑦6.5-inner-dia.

■ Protective tubing outer diameter = 8, 10



Dimensions are given in millimeters, except for the length (L), which is provided in centimeters.

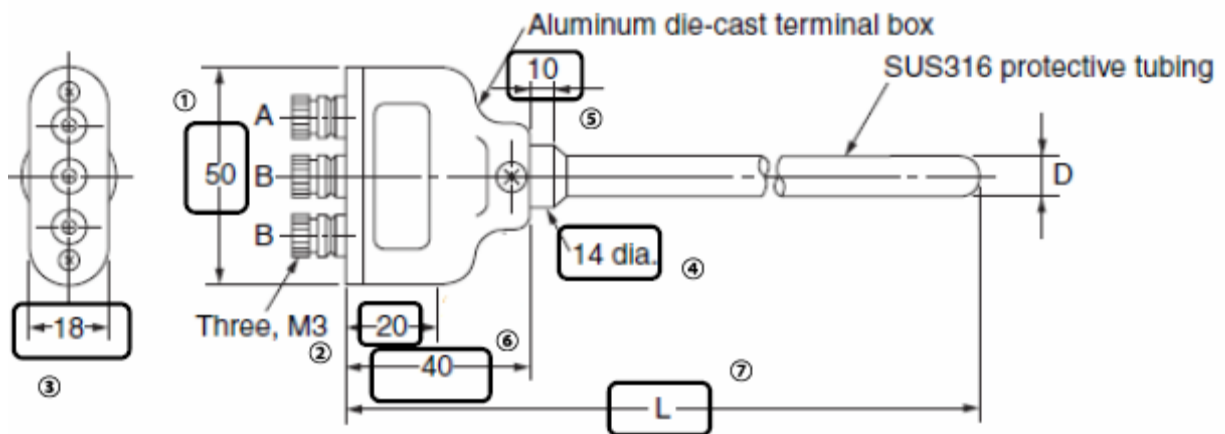
Product discontinuation ⇒ Recommended replacement
 Model E52-P□C ⇒ Model E52-P□C-N

■ Protective tubing outer diameter=8, 10 continued

No.	Item	Product discontinuation Model E52-P□C	Recommended replacement Model E52-P□C-N
1.	Aluminum die-cast terminal box (Unit: mm)	[8 dia. protective tubing type] ①65 ②57 ③35 ④14 dia. (round shape) ⑤10 ⑥7-inner-dia. ⑬L-40 [10 dia. protective tubing type] ⑦90 ⑧98 ⑨57 ⑩10 ⑪22 dia. (round shape) ⑫11-inner-dia.	[8 dia. sheath type] ①66 ②67 ③40 ④Horizontal diameter 17 (hexagon shape) ⑤15 ⑥6.5-inner-dia. ⑬L-35 [10 dia. protective tubing type] ⑦86 ⑧96 ⑨53 ⑩5 ⑪Horizontal diameter 26 (hexagon shape) ⑫9-inner-dia.

Product discontinuation ⇒ Recommended replacement
 Model E52-P□B ⇒ Model E52-P□B-N

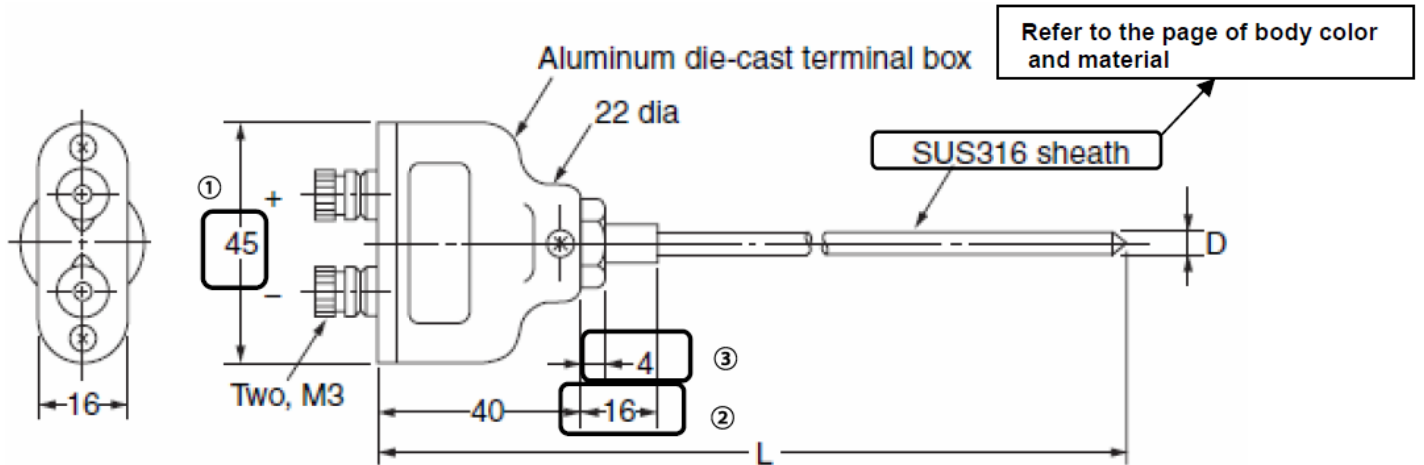
Dimensions are given in millimeters, except for the length (L), which is provided in centimeters.



No.	Item	Product discontinuation Model E52-P□B	Recommended replacement Model E52-P□B-N
1.	Aluminum die-cast terminal box (Unit: mm)	①50 ②20 ③18 ④14 dia. (round shape) ⑤10 ⑥40 ⑦L	①45 ②27 ③17.6 ④Horizontal diameter 17 (hexagon shape) ⑤15 ⑥42.5 ⑦L+2.5

Product discontinuation ⇒ Recommended replacement
 Model E52-CA□B E52-IC□B ⇒ Model E52-CA□B-N E52-IC□B-N

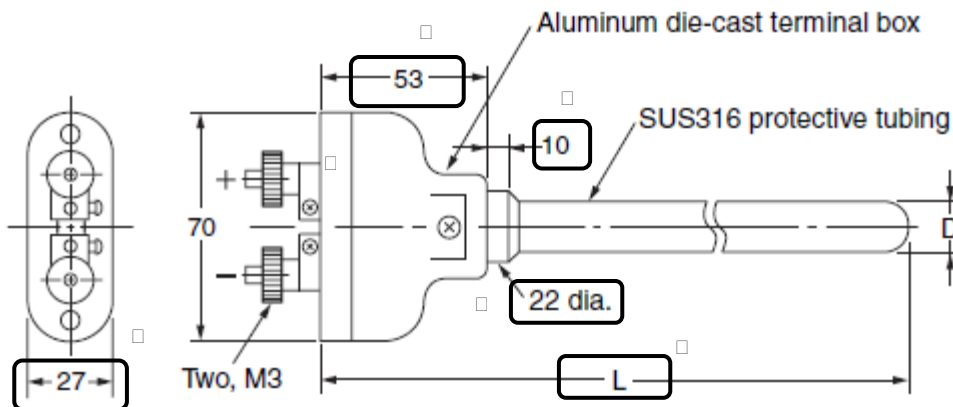
■ Protective tubing outer diameter = 3.2, 4.8, 6.4, 8.0



No.	Item	Product discontinuation Model E52-□□B	Recommended replacement Model E52-□□B-N
1.	Aluminum die-cast terminal box (Unit: mm)	①45 ②16 ③4	①44 ②15 ③5

■ Protective tubing outer diameter = 10, 12, 15, 22

Dimensions are given in millimeters, except for the length (L), which is provided in centimeters.

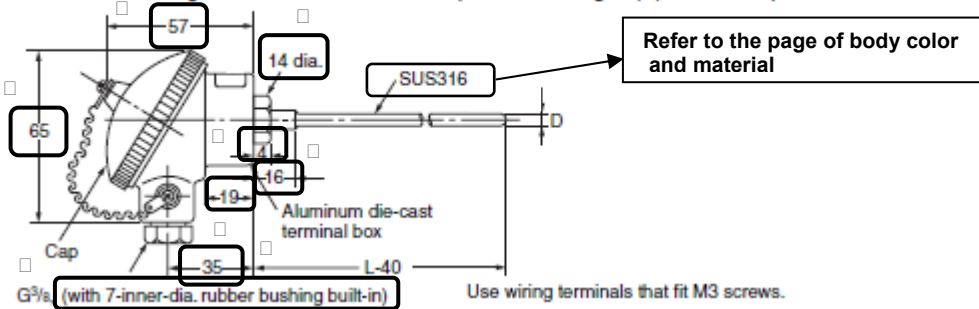


No.	Item	Product discontinuation Model E52-□□B	Recommended replacement Model E52-□□B-N
1.	Aluminum die-cast terminal box (Unit: mm)	①53 ②10 ③22 dia. (round shape) ④27 ⑤L	①45 ②5 ③Horizontal diameter 26 (hexagon shape) ④25 ⑤L-5

Product discontinuation ⇒ Recommended replacement
Model E52-CA□C E52-IC□C ⇒ Model E52-CA□C-N E52-IC□C-N

■ Protective tubing outer diameter = 3.2, 4.8, 6.4, 8.0

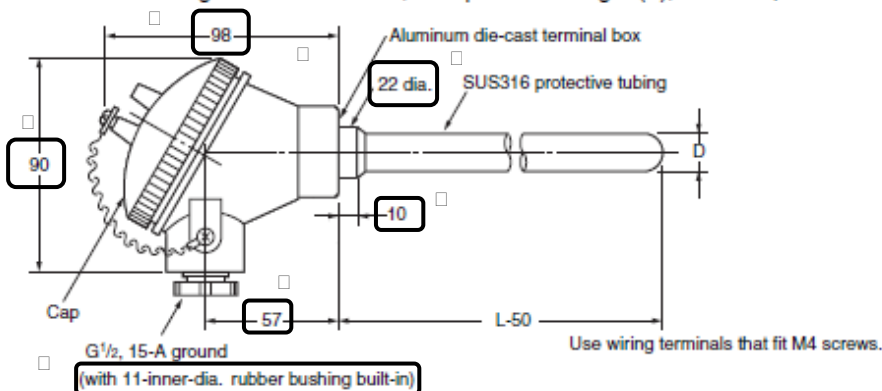
Dimensions are given in millimeters, except for the length (L), which is provided in centimeters.



No.	Item	Product discontinuation Model E52-CA□C E52-IC□C	Recommended replacement Model E52-CA□C-N E52-IC□C-N
1.	Aluminum die-cast terminal box (Unit: mm)	①65 ②57 ③14 dia. (round shape) ④4 ⑤16 ⑥19 ⑦35 ⑧7-inner-dia.	①66 ②67 ③Horizontal diameter 17 (hexagon shape) ④5 ⑤15 ⑥15 ⑦40 ⑧6.5-inner-dia.

■ Protective tubing outer diameter = 10, 12, 15, 22

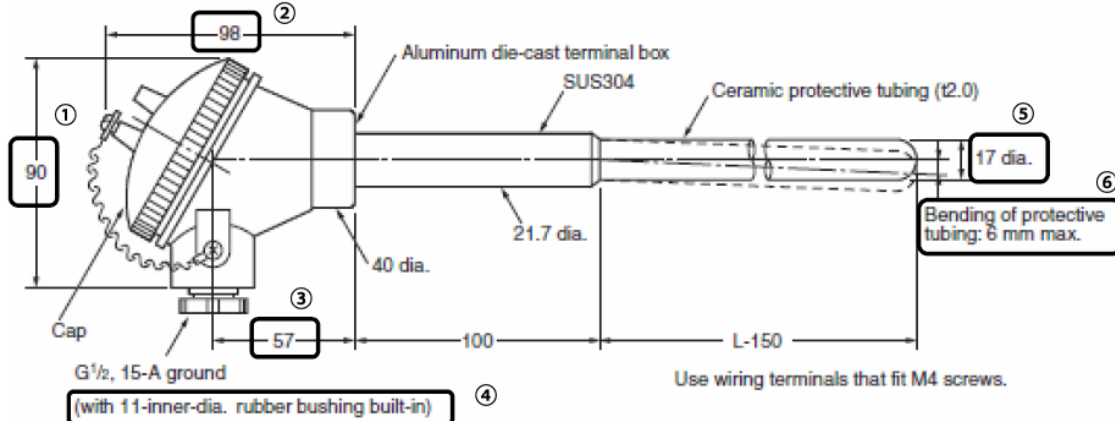
Dimensions are given in millimeters, except for the length (L), which is provided in centimeters.



No.	Item	Product discontinuation Model E52-CA□C E52-IC□C	Recommended replacement Model E52-CA□C-N E52-IC□C-N
1.	Aluminum die-cast terminal box (Unit: mm)	①90 ②98 ③22 dia. (round shape) ④10 ⑤57 ⑥11-inner-dia.	①86 ②96 ③Horizontal diameter 26 (hexagon shape) ④5 ⑤53 ⑥9-inner-dia.

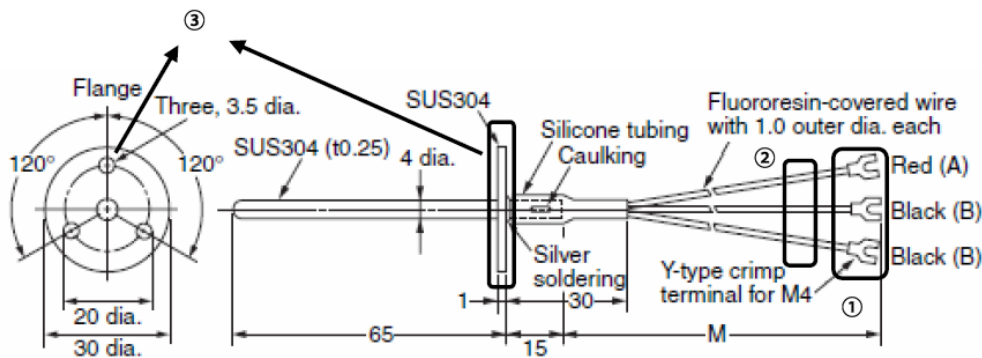
Product discontinuation ⇒ Recommended replacement
Model E52-PR□C ⇒ Model E52-PR□C-N

Dimensions are given in millimeters, except for the length (L), which is provided in centimeters.



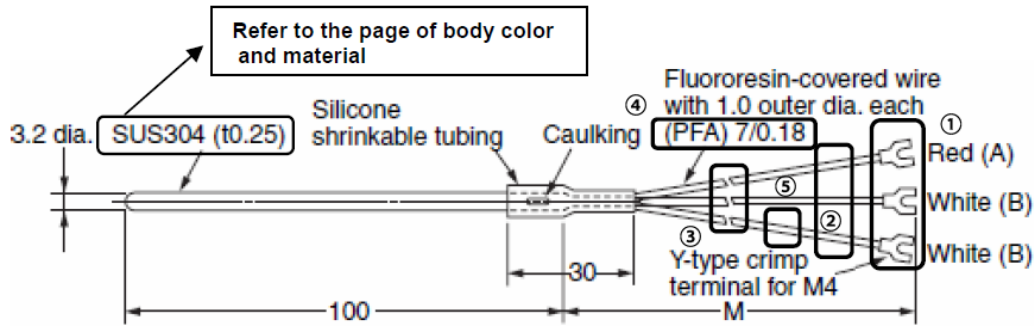
No.	Item	Product discontinuation Model E52-PR□C	Recommended replacement Model E52-PR□C-N
1.	Aluminum die-cast terminal box (Unit: mm)	①90 ②98 ③57 ④11-inner-dia.	①86 ②96 ③53 ④9-inner-dia.
2.	Protective tubing diameter (Unit: mm)	⑤17 dia.	⑤15 dia.
3.	Deviation of bending of protective	⑥±6 mm	⑥±6 mm (L=50cm only)

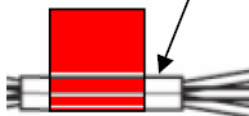
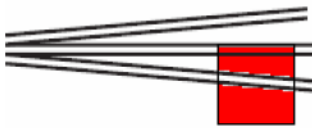
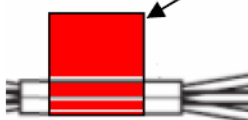
Product discontinuation ⇒ Recommended replacement
Model E52-P6F ⇒ Model E52-P6FY



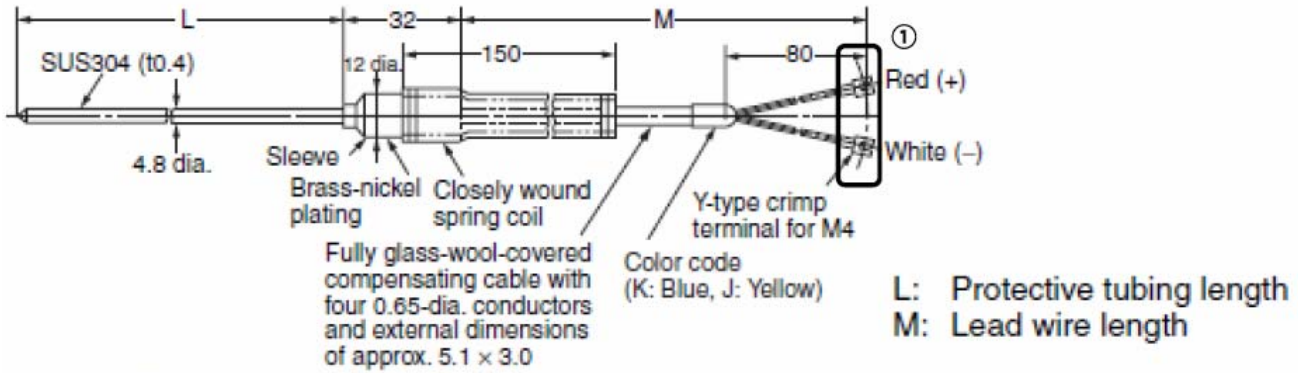
No.	Item	Product discontinuation Model E52-P6F	Recommended replacement Model E52-P6FY
1.	Size of Y type crimp terminal	①M4	①M3.5
2.	The location of the identification marking tube	②Sleeve part of the Y type crimp terminal	②Element part of lead wire
3.	Flange surface finish	③Glossy	③Matte

Product discontinuation ⇒ Recommended replacement
 Model E52-P10AE ⇒ Model E52-P10AEY



No.	Item	Product discontinuation Model E52-P10AE	Recommended replacement Model E52-P10AEY
1.	Size of Y type crimp terminal	①M4	①M3.5
2.	The location of the identification marking tube	②Sleeve part of the Y type crimp terminal	②Element part of lead wire
3.	Twist wire termination	③None	③With a shrinkable tube 
4.	Number of Fluororesin-covered wires/wire diameter (mm)	④ (PFA)7/0.18	④ (PFA)7/0.2
5.	The location of label	⑤Element part 	⑤ Shrinkable tube part of twist wire termination 

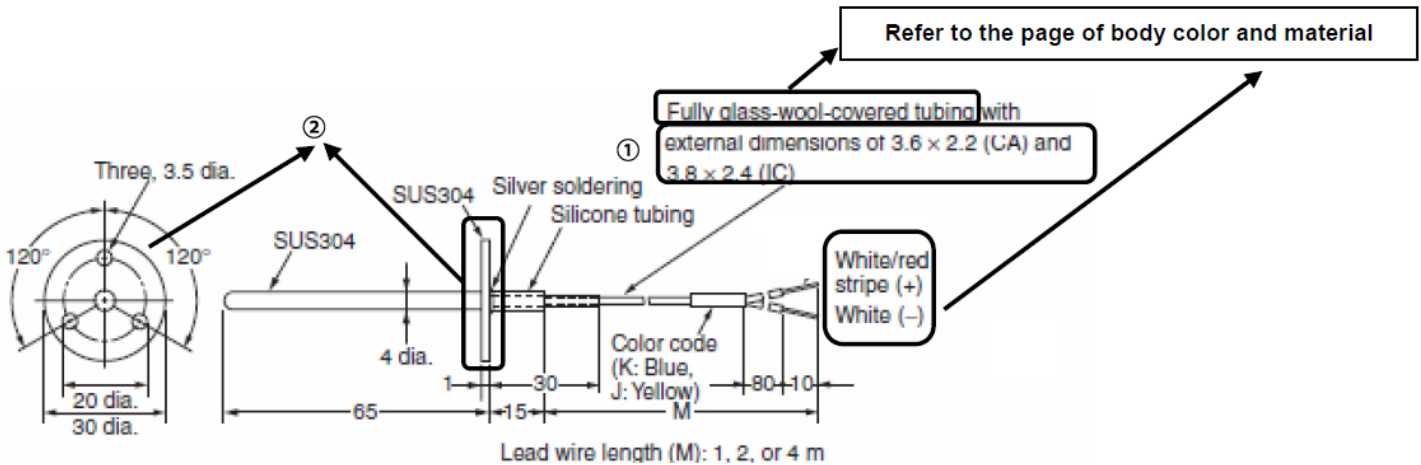
Product discontinuation ⇒ Recommended replacement
 Model E52-CA□AS E52-IC□AS ⇒ Model E52-CA□ASY E52-IC□ASY



Note: The protective tubing is of pipe construction, which must not be bent.

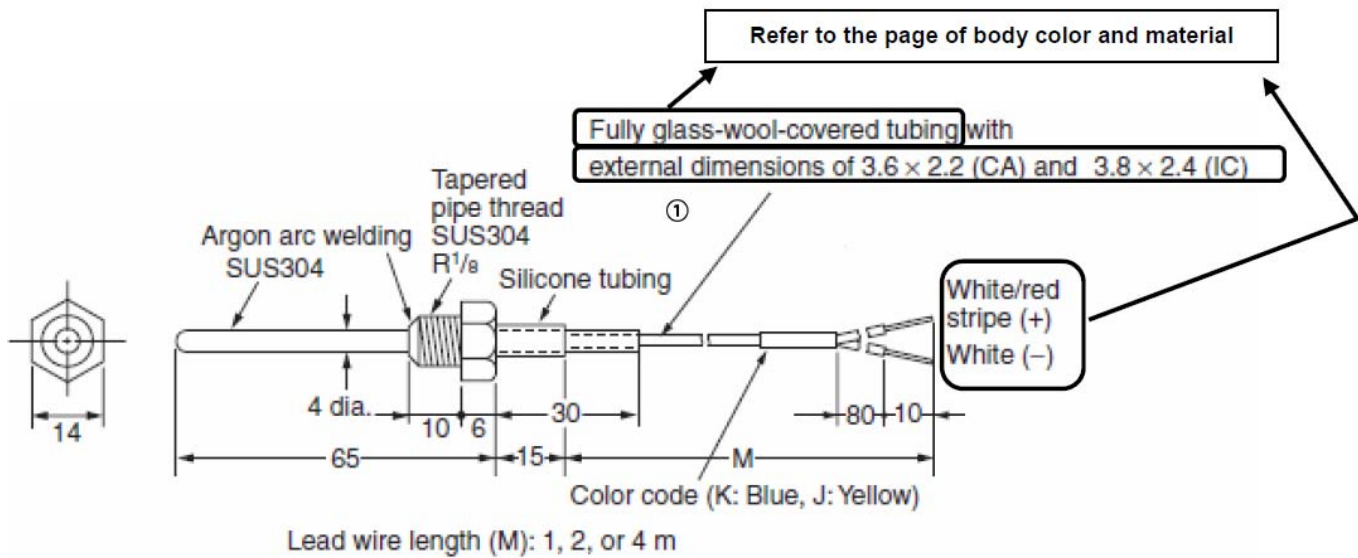
No.	Item	Product discontinuation Model E52-CA□AS E52-IC□AS	Recommended replacement Model E52-CA□ASY E52-IC□ASY
1.	Size of Y type crimp terminal	① M4	① M3.5

Product discontinuation ⇒ Recommended replacement
 Model E52-CA6F E52-IC6F ⇒ Model E52-CA6F-N E52-IC6F-N



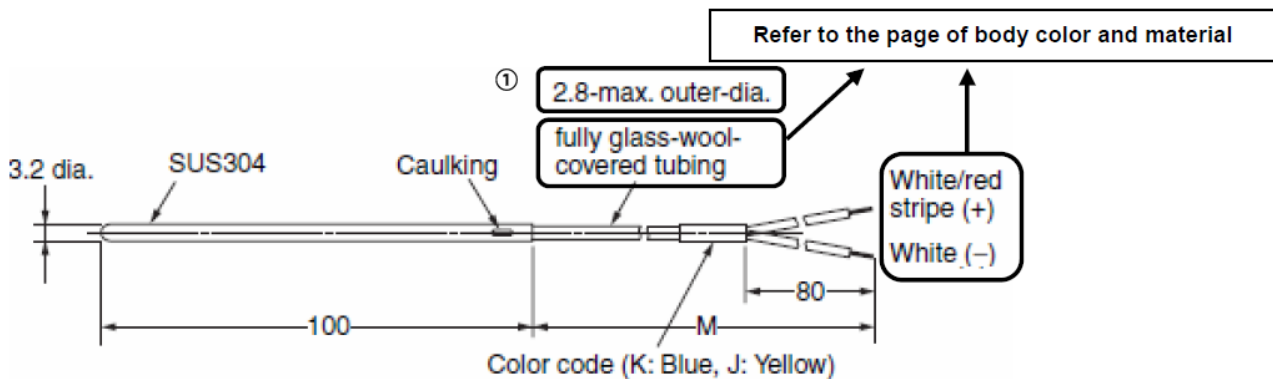
No.	Item	Product discontinuation Model E52-CA6F E52-IC6F	Recommended replacement Model E52-CA6F-N E52-IC6F-N
1.	External dimensions (Unit: mm)	① 3.6x2.2 (CA) 3.8x2.4 (IC)	① 1.6x1.0 (CA) 1.6x1.0 (IC)
2.	Flange surface finish	② Glossy	② Matte

Product discontinuation ⇒ Recommended replacement
 Model E52-CA6D E52-IC6D ⇒ Model E52-CA6D-N E52-IC6D-N



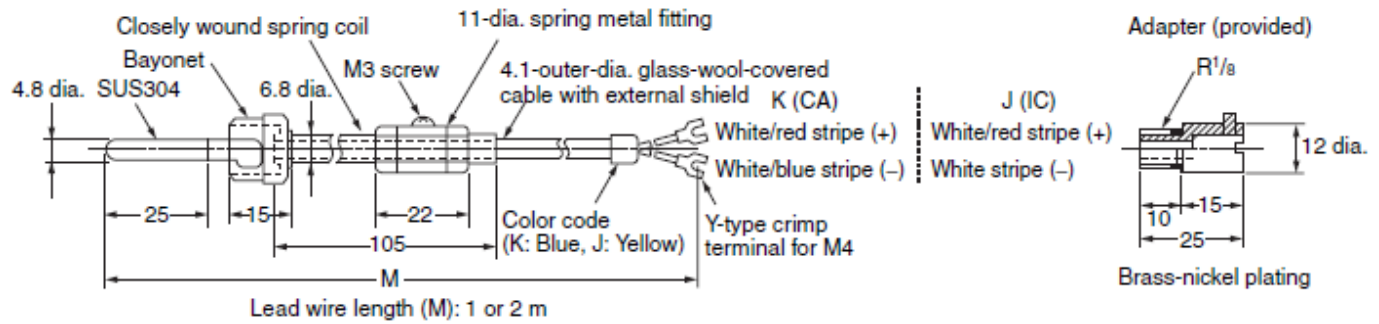
No.	Item	Product discontinuation Model E52-CA6D E52-IC6D	Product discontinuation Model E52-CA6D-N E52-IC6D-N
1.	External dimensions (Unit: mm)	①3.6×2.2 (CA) 3.8×2.4 (IC)	①1.6×1.0 (CA) 1.6×1.0 (IC)

Product discontinuation ⇒ Recommended replacement
 Model E52-CA□AE E52-IC□AE ⇒ Model E52-CA□AE-N E52-IC□AE-N



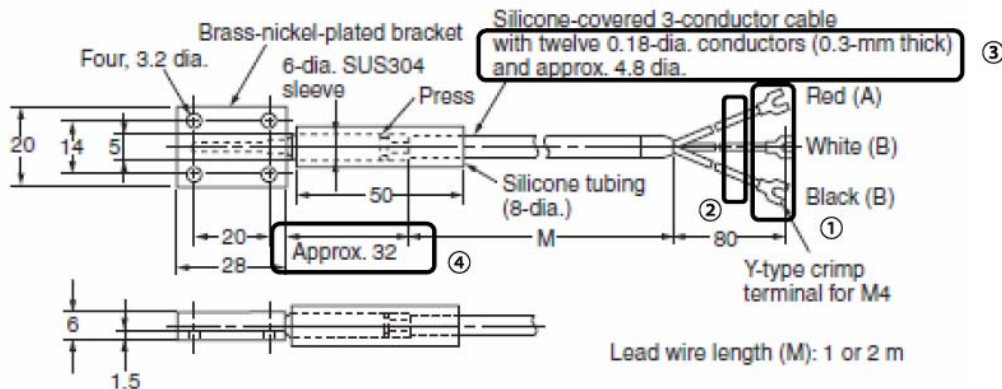
No.	Item	Product discontinuation Model E52-CA□AE E52-IC□AE	Recommended Replacement Model E52-CA□AE-N E52-IC□AE-N
1.	External dimensions (Unit: mm)	①2.8- max. outer-dia.	①1.6×1.0 (CA) 1.6×1.0 (IC)

Product discontinuation ⇒ Recommended replacement
 Model E52-CA2GV E52-IC2GV ⇒ Model E52-CA2GVY E52-IC2GVY



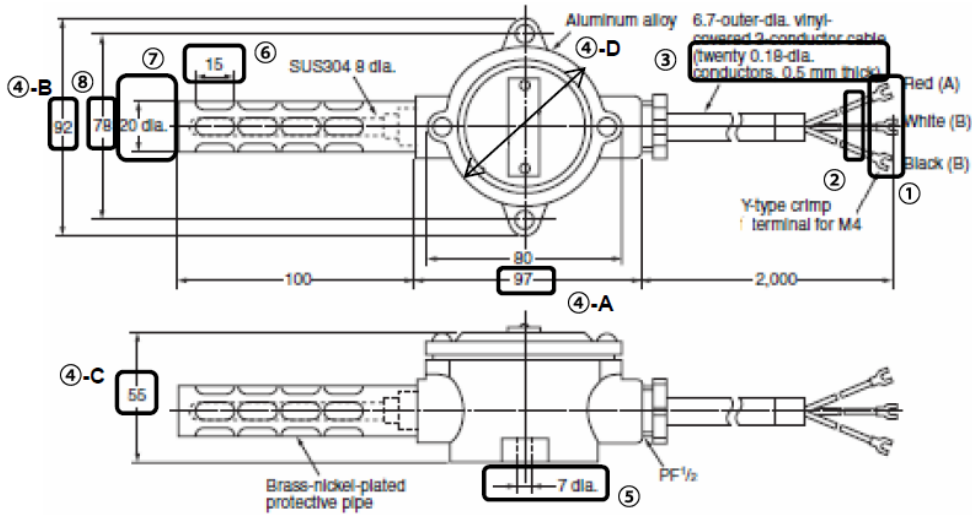
No.	Item	Product discontinuation Model E52-CA2GV E52-IC2GV	Recommended replacement Model E52-CA2GVY E52-IC2GVY
1.	Size of Y type crimp terminal	①M4	①M3.5
2.	The location of the identification marking tube	②Sleeve part of the Y type crimp terminal	②Element part of lead wire
3.	Spring metal fitting (Unit: mm)	③Horizontal diameter 11 (hexagon shape)	③14 dia. (round shape)

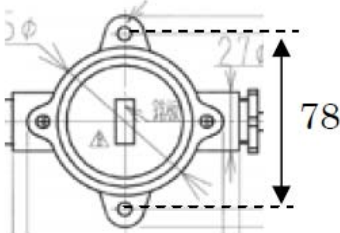
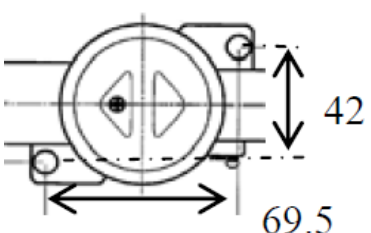
Product discontinuation ⇒ Recommended replacement
 Model E52-P2GS ⇒ Model E52-P2GSY



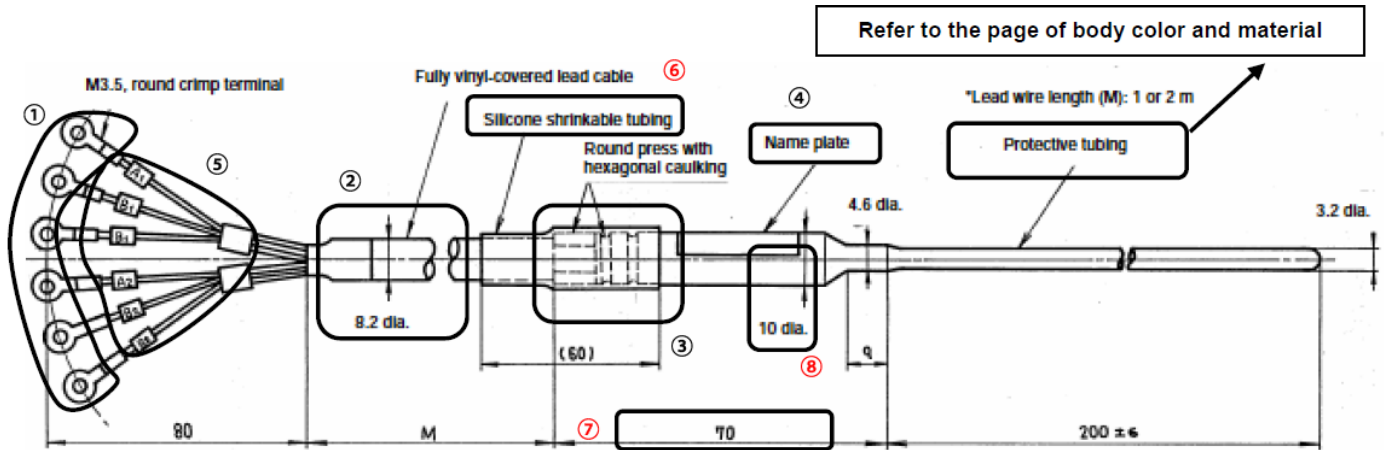
No.	Item	Product discontinuation Model E52-P2GS	Recommended replacement Model E52-P2GSY
1.	Size of Y type crimp terminal	①M4	①M3.5
2.	The location of the identification marking tube	②Sleeve part of the Y type crimp terminal	②Element part of lead wire
3.	Silicone-covered 3-conductor cable (Unit: mm)	③twelve 0.18-dia. conductors (0.3-mm thick) and approx. 4.8 dia.	③thirty 0.08-dia. conductors (0.15-mm thick) and approx. 3.9 dia.
4.	Dimension of ④ in above figure (Unit: mm)	④Approx. 32	④Approx. 30

Product discontinuation ⇒ Recommended replacement
Model E52-P10GR ⇒ Model E52-P10GRY



No.	Item	Product discontinuation Model E52-P10GR	Recommended replacement Model E52-P10GRY
1.	Size of Y type crimp terminal	①M4	①M3.5
2.	The location of the identification marking tube	②Sleeve part of the Y type crimp terminal	②Element part of lead wire
3.	Size of vinyl-covered 3-conductor cable (Unit: mm)	③6.7-outer-dia. (twenty 0.18-dia.conductors, 0.5 mm thick)	③6.1-outer-dia. (twenty 0.18-dia.conductors, 0.5 mm thick)
4.	Terminal box size (Unit: mm)	④-A 97 ④-B 92 ④-C 55 ④-D 65	④-A 99 ④-B 70 ④-C 58 ④-D 69
5.	Hole-diameter of terminal box installation screw (Unit: mm)	⑤7 dia.	⑤8 dia.
6.	Protective pipe type (Unit: mm)	⑥Oval shape (L=15)	⑥Round shape (4.8 dia.)
7.	Protective pipe diameter (Unit: mm)	⑦20 dia.	⑦22.2 dia.
8.	Pitch and direction of terminal box installation screw (Unit: mm)	Vertically against the protective pipe. 	Diagonal against the protective pipe. 

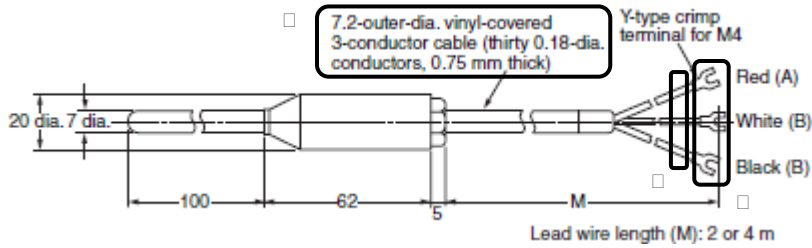
Product discontinuation ⇒ Recommended replacement
 Model E52-P20GW ⇒ Model E52-P20AY-7



No.	Item	Product discontinuation Model E52-P20GW	Recommendable replacement Model E52-P20AY-7
1.	Crimp terminal	①M3.5, round crimp terminal	①M3.5, Y-type crimp terminal
2.	Fully vinyl-covered lead cable (Unit: mm)	②8.2-outer-dia. (twenty 0.18-dia.conductors, 0.5 mm thick)	②6.5-outer-dia. (Nineteen 0.18-dia.conductors, 0.5 mm thick)
3.	Fixation of lead wire and sleeve	③Round press with hexagonal caulking	③Epoxy resin
4.	Location of label	④Sleeve surface	④Shrinkable tubing of lead wire terminal
5.	Identification marking tube	⑤As shown in the above figure.	
6.	Silicone shrinkable tubing	⑥Yes	⑥No
7.	Length of sleeve	⑦70	⑦55
8.	Diameter of sleeve	⑧φ10	⑧φ11

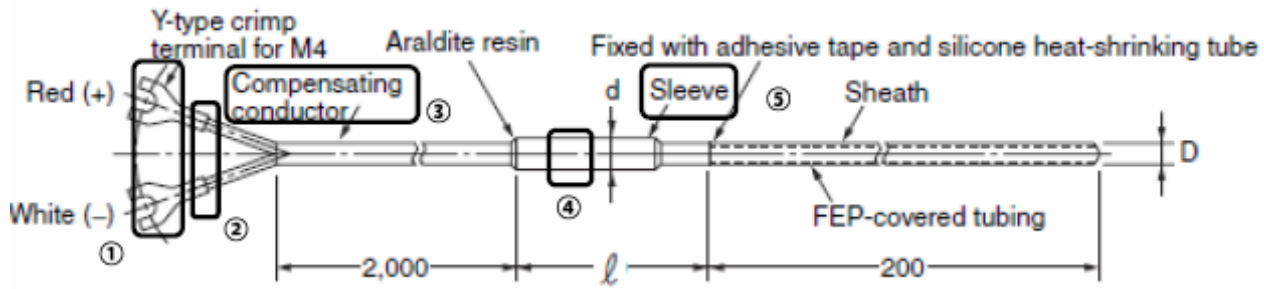
Product discontinuation ⇒ Recommended replacement

Model E52-P10GP ⇒ Model E52-P10GPY



No.	Item	Product discontinuation Model E52-P10GP	Recommended replacement Model E52-P10GPY
1.	Size of Y type crimp terminal	① M4	① M3.5
2.	The location of the identification marking tube	② Sleeve part of the Y type crimp terminal	② Element part of lead wire
3.	Vinyl-covered 3-conductor cable (Unit: mm)	③ 7.2-outer-dia. (thirty 0.18-dia. conductors, 0.75 mm thick)	③ 6.1-outer-dia. (twenty 0.18-dia. conductors, 0.5 mm thick)

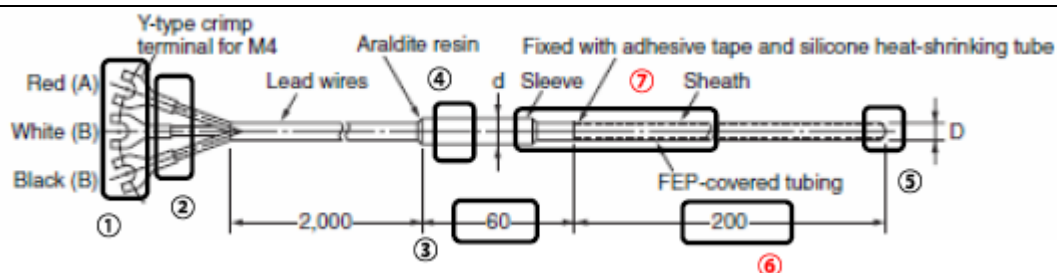
Product discontinuation ⇒ Recommended replacement
 Model E52-CA□A-1 E52-IC□A-1 ⇒ Model E52-CA□AY-1 E52-IC□AY-1



No.	Item	Product discontinuation		Recommended replacement	
		Model E52-CA□A-1	E52-IC□A-1	Model E52-CA□AY-1	E52-IC□AY-1
1.	Size of Y type crimp terminal	① M4		① M3.5	
2.	The location of the identification marking tube	② Sleeve part of the Y type crimp terminal		② Element part of lead wire	
3.	Compensating Conductor (Unit: mm)	③ Vinyl-covered conductor 3.2×5.0		③ Vinyl-covered conductor 2.4×4.1	
4.	The location of label	④ Sleeve surface		④ Shrinkable tubing of lead wire terminal	
5.	Sleeve size (Unit: mm)	⑤		⑤	
		Protective tubing diameter	Sleeve diameter Sleeve length	Protective tubing diameter	Sleeve diameter Sleeve length
		D=4.6	d = 7	D=4.6	d = 8
		D=6.0	ℓ = 40	D=6.0	ℓ = 55
		D=8.0	d = 10 ℓ = 45	D=8.0	d = 11 ℓ = 55

Product discontinuation ⇒ Recommended replacement

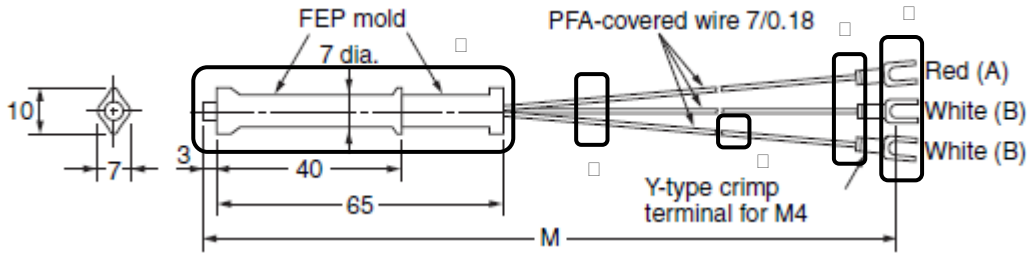
Model E52-P□A-1 ⇒ Model E52-P□AY-1

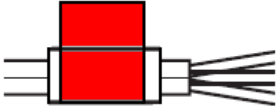
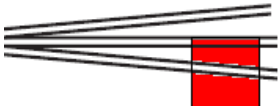
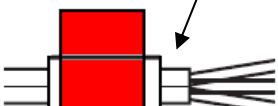
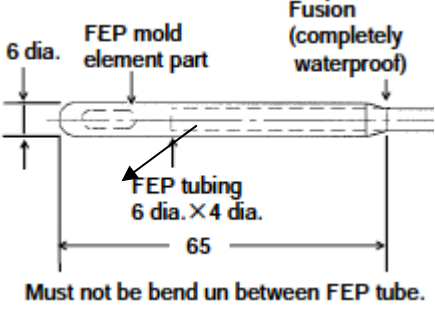


No.	Item	Product discontinuation Model E52-P□A-1	Recommended replacement Model E52-P□AY-1
1.	Size of Y type crimp terminal	①M4	①M3.5
2.	The location of the identification marking tube	②Sleeve part of the Y type crimp terminal	②Element part of lead wire
3.	Sleeve length and fixed part	③60 mm	③45 mm
4.	The location of label	④Sleeve surface	④Shrinkable tube part of lead wire termination
5.	FEP-covered tubing	⑤Spherical shape	⑤Spherical shape *Sheath diameter 6.4 type is flat.
6.	Length of tube	⑥200	⑥195
7.	Junction of the tube and the sleeve	⑦As shown in the above figure.	⑦

Product discontinuation ⇒ Recommended replacement

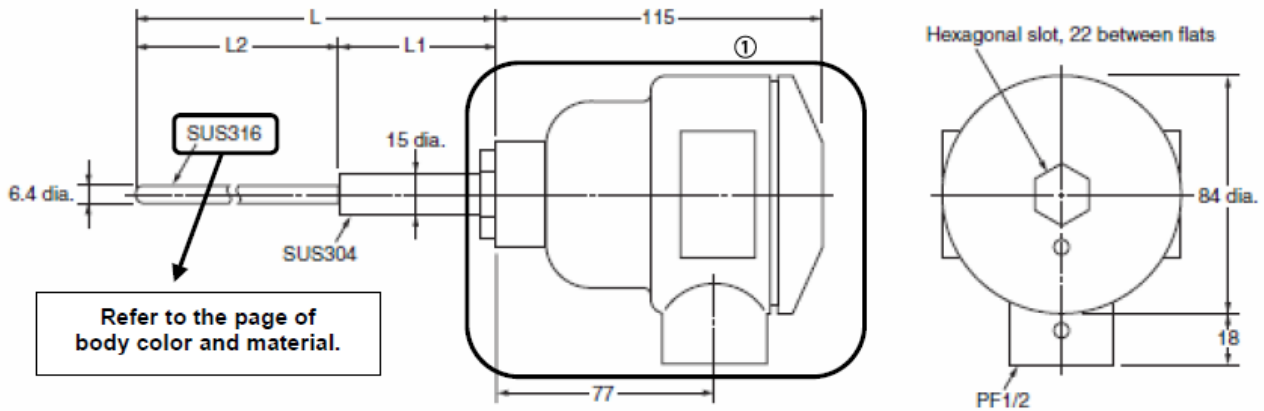
Model E52-P5A-40 ⇒ Model E52-P5AY-40



No.	Item	Product discontinuation Model E52-P5A-40	Recommended replacement Model E52-P5AY-40
1.	Size of Y type crimp terminal	① M4	① M3.5
2.	The location of the identification marking tube	② Sleeve part of the Y type crimp terminal	② Element part of lead wire
3.	Twist wire termination	③ None	③ With a shrinkable tube 
4.	The location of label	④ Element part of lead wire 	④ Shrinkable tube part of twist wire termination 
5.	Protective tubing type	⑤ As shown in the above figure.	⑤ Approx. 6 dia. 

Product discontinuation ⇒ Recommended replacement

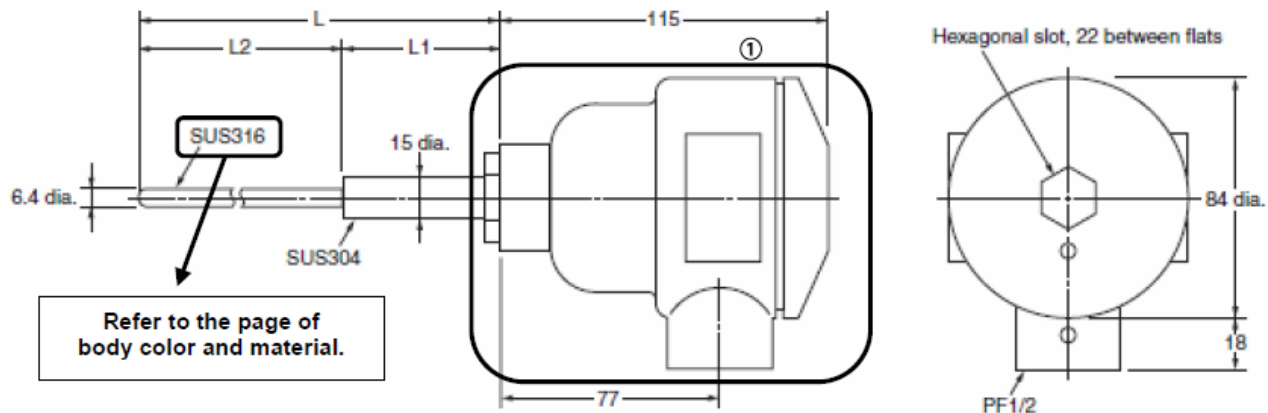
Model E52-CA□C-6 ⇒ Model E52-CA□C-N-6



No.	Item	Product discontinuation Model E52-CA□C-6	Recommended replacement E52-CA□C-N-6
1.	Lead wire wiring method	Metal conduit connected with screws to terminal box	Pressure-resistant packing cable gland method
2.	Terminal box (Unit: mm)	① As shown in the above figure.	<p>①</p> <p>Pressure-resistant explosion-proof cable gland SCLU10(with C110) Adaptive cable diameter</p> <p>Details of terminal board</p>

Product discontinuation ⇒ Recommended replacement

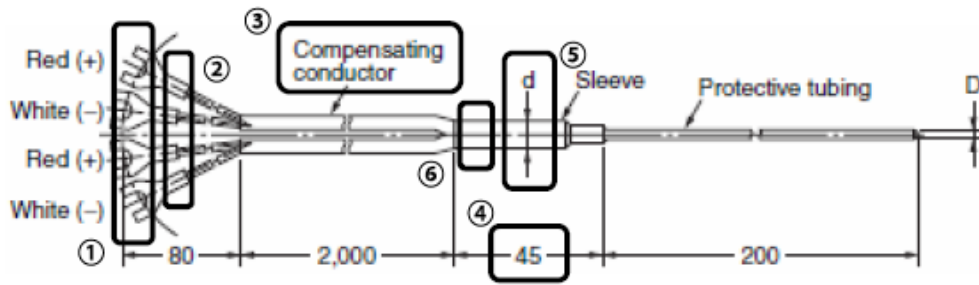
Model E52-P□C-6 ⇒ Model E52-P□C-N-6



No.	Item	Product discontinuation Model E52-P□C-6	Recommended replacement E52-P□C-N-6
1.	Lead wire wiring method	Metal conduit connected with screws to terminal box	Pressure-resistant packing cable gland method
2.	Terminal box (Unit: mm)	① As shown in the above figure.	<p>① *Figure was replaced.</p> <p>Pressure-resistant explosion-proof cable gland SCLU10(with C110) Adaptive cable diameter</p> <p>Details of terminal board</p>

Product discontinuation ⇒ Recommended replacement

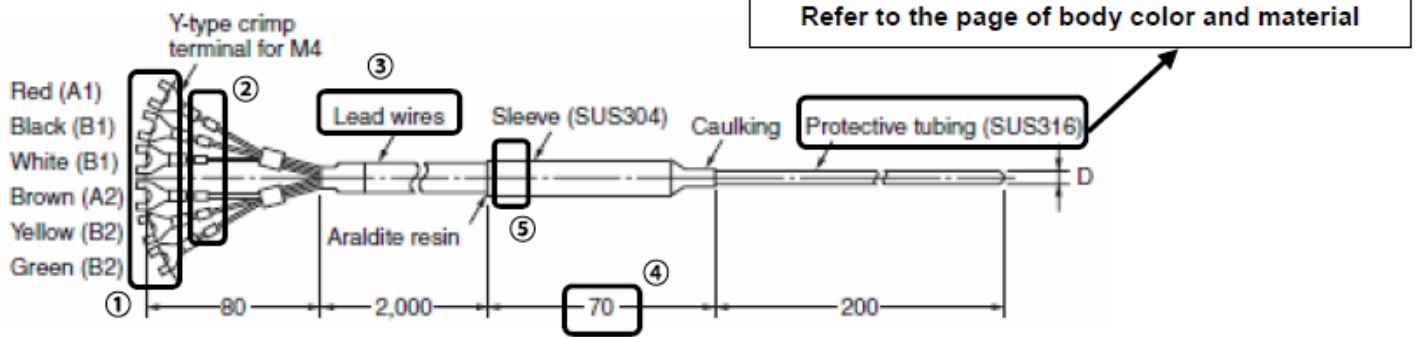
Model E52-CA20A-7 ⇒ Model E52-CA20AY-7

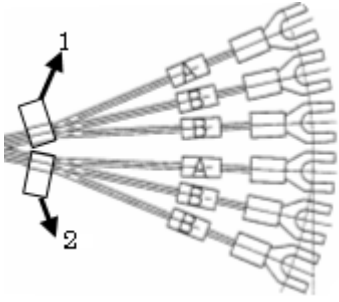


No.	Item	Product discontinuation Model E52-CA20A-7	Recommended replacement Model E52-CA20AY-7
1.	Size of Y type crimp terminal	①M4	①M3.5
2.	The location of the identification marking tube	②Sleeve part of the Y type crimp terminal	②Element part of lead wire
3.	Compensating Conductor (Unit: mm)	③Vinyl-covered conductor 3.2×5.0	③Vinyl-covered conductor 2.4×4.1
4.	Sleeve length (Unit: mm)	④45	④55
5.	Sleeve diameter (Unit: mm)	⑤10 dia.	⑤11 dia.
6.	The location of label	⑥Sleeve surface	⑥Shrinkable tubing of lead wire terminal

Product discontinuation ⇒ Recommended replacement

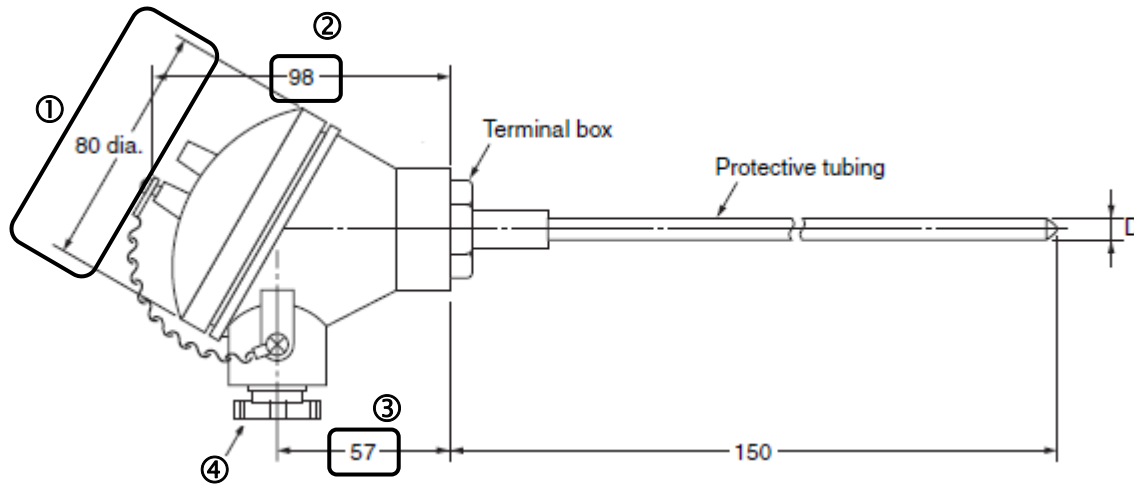
Model E52-P20A-7 ⇒ Model E52-P20AY-7



No.	Item	Product discontinuation Model E52-P20A-7	Recommended replacement Model E52-P20AY-7
1.	Size of Y type crimp terminal	①M4	①M3.5
2.	Identification marking tube	②As shown in the above figure.	
3.	Lead wire diameter (Unit: mm)	③Approx. 5.6-outer-dia.	③Approx. 6.5-outer-dia.
4.	Sleeve length/ diameter (Unit: mm)	④70/10 dia.	④55/11 dia.
5.	The location of label	⑤Sleeve surface	⑤Shrinkable tubing of lead wire terminal

Product discontinuation ⇒ Recommended replacement

Model E52-P20C-7 ⇒ Model E52-P20C-N-7



No.	Item	Product discontinuation Model E52-P20C-7	Recommended replacement Model E52-P20C-N-7
1.	Terminal box size (Unit: mm)	①80 ②98 ③57 ④7 dia. (inside diameter of packing)	①82 ②96 ③53 ④12 dia. (inside diameter of packing)
2.	Terminal size for wire connection	M3	M4

There are no change points of the characteristics except for following goods.

Item	Product discontinuation Model E52-P□C(D=3.2,4.8,6.4)	Recommended replacement Model E52-P□C-N(D=3.2,4.8,6.4)
Measurement temperature range	-200 to 450 °C	-200 to 450 °C

Item	Product discontinuation Model E52-P□C(D=8)	Recommended replacement Model E52-P□C-N(D=8)
Measurement temperature range	0 to 450 °C	-200 to 450 °C

Item	Product discontinuation Model E52-P□B	Recommended replacement Model E52-P□B-N
Measurement temperature range	0 to 450 °C	-200 to 450 °C

Item	Product discontinuation Model E52-P10AE	Recommended replacement Model E52-P10AEY
Measurement temperature range	-50 to 250 °C	0 to 250 °C

Item	Product discontinuation Model E52-P20GW	Recommended replacement Model E52-P20AY-7
Measurement temperature range	-50 to 250 °C	-200 to 450 °C

Item	Product discontinuation Model E52-P20A-7	Recommended replacement Model E52-P20AY-7
Measurement temperature range	-200 to 450 °C	-200 to 450 °C

Item	Product discontinuation Model E52-CA□C-6	Recommended replacement Model E52-CA□C-N-6
Measurement temperature range	K= -100~900°C J= -100~600°C	Not specified ※
Explosion-protected class and ignitability	d2G4 (Construction standard)	Exd II CT6 (Technological standard)
Terminal temperature	0 to 70°C	Explosion-protected applicable temperature range : -20 to 85°C Ambient temperature : 50°C max.

Item	Product discontinuation Model E52-P□C-6	Recommended replacement Model E52-P□C-N-6
Measurement temperature range	-100 to 450°C	Not specified ※
Explosion-protected class and ignitability	d2G4 (Construction standard)	Exd II CT6 (Technological standard)
Terminal temperature	0 to 70°C	Explosion-protected applicable temperature range : -20 to 85°C Ambient temperature : 50°C max.

※To meet the rating prescribed by Exd II CT6.

Note: Please be reminded that the specification may be changed without notice.