

1

2

3

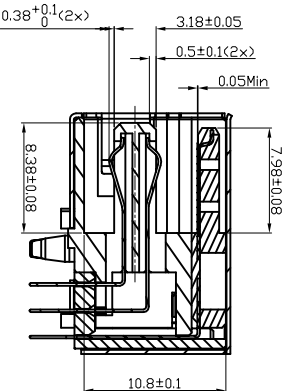
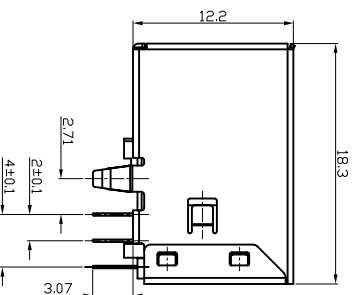
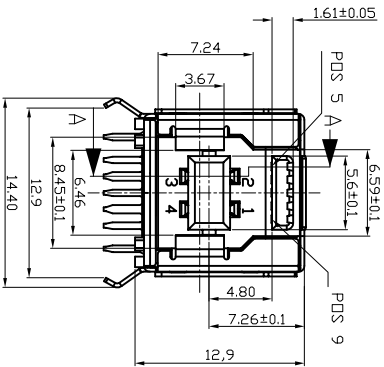
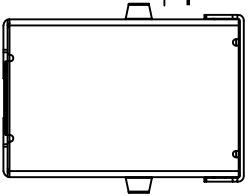
4

5

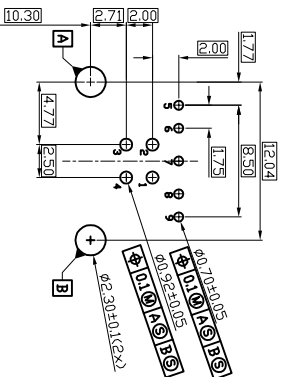
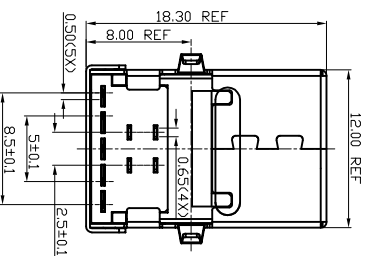
6

7

④ USB3.0 COMPLIANT



SECTION A-A



RECOMMENDED PCBA LAYOUT

Pin NUMBER	SIGNAL NAME
1	V BUS
2	D-
3	D+
4	GND
5	StdB_SSTX-
6	StdB_SSTX+
7	GND_DRAIN
8	StdB_SSRX-
9	StdB_SSRX+

Shield

- NOTE:
- 1 MATERIAL:
 - ③ 1.1 INSULATOR:LCP UL 94V-0 Blue
 - 1.2 CONTACT:1.4Ph,COPPERT=0.20mm) 5.9Ph,BRASS(T=0.20mm)
 - 1.3 SHELL:BRASS(T=0.30mm) SPCCT=0.20mm)
 - 2 ELECTRICAL CHARACTERISTICS:
 - 2.1 CONTACT RESISTANCE:30mΩ MAXIMUM
 - 2.2 CONTACT CURRENT RATING:1.5A
 - 2.3 DIELECTRIC WITHSTANDING VOLTAGE: 500 V R.M.S.
 - 2.4 INSULATION RESISTANCE 1000 MEGOHMS MIN
 - 2.5 OPERATING TEMPERATURE:40°C ~ 85°C
 - 3 MECHANICAL CHARACTERISTICS:
 - 3.1 MATING FORCE:3.97kg MAX
 - 3.2 UNMATING FORCE:1.02kg MIN
 - 3.3 DURABILITY:MANDATORY:5,000 CYCLES 4:PLATING
 - 4.1 TERMINAL:50U" MIN NICKEL ALL OVER 80U"MIN TH ON SOLDER AREA
 - 4.2 SHELL:150U"MIN,NICEL

ROHS compliant
Unit: mm

Scale	Free	Id.	Modification	Date	Name
TOLERANCE	Free				
X.X	±0.20	④	Add the "USB3.0 COMPLIANT"	24.03.2014	Winnie
X.XX	±0.15	③	Update Color	18.03.2014	Winnie
X.XXX	±0.05	②	Update design	17.01.2012	Lucas
DIM	TOL	①	Add sheet 2	13.12.2011	Lucas
		①	Drawn	11.06.2010	Alex
Angle	±3°				

Customer-No.

ASSMANN WSW-No.

A-USB3 B

Drawing-No.

ASS 4224 CO

rev04



Replace

Sheet 1/2

1

2

3

4

5

6

7

H

G

F

E

D

C

B

A

H

G

F

E

D

C

B

A

	1	2	3	4	5	6	7																																																																							
A																																																																														
B																																																																														
C																																																																														
D																																																																														
E																																																																														
F																																																																														
G	<p style="text-align: center;">ROHS compliant</p> <p style="text-align: center;">Unit: mm</p> <table border="1"> <thead> <tr> <th>Scale</th> <th>Free</th> <th></th> <th></th> <th></th> <th></th> <th></th> <th></th> </tr> </thead> <tbody> <tr> <td>TOLERANCE</td> <td></td> <td></td> <td></td> <td></td> <td></td> <td></td> <td></td> </tr> <tr> <td>X.X</td> <td>±0.20</td> <td>④</td> <td>Add the "USB3.0 COMPLIANT"</td> <td>24.03.2014</td> <td>Winnie</td> <td>Drawn</td> <td>18.06.2010</td> <td>Alex</td> </tr> <tr> <td>X.XX</td> <td>±0.15</td> <td>③</td> <td>Update Color</td> <td>18.03.2014</td> <td>Winnie</td> <td>Approved</td> <td>24.03.2014</td> <td>Winnie</td> </tr> <tr> <td>X.XXX</td> <td>±0.05</td> <td>②</td> <td>Update design</td> <td>17.01.2012</td> <td>Lucas</td> <td></td> <td></td> <td></td> </tr> <tr> <td>DIM</td> <td>TOL</td> <td>①</td> <td>Add sheet 2</td> <td>13.12.2011</td> <td>Lucas</td> <td></td> <td></td> <td></td> </tr> <tr> <td></td> <td></td> <td>①</td> <td>Drawn</td> <td>11.06.2010</td> <td>Alex</td> <td></td> <td></td> <td></td> </tr> <tr> <td>Angle</td> <td>±3°</td> <td>Id.</td> <td>Modification</td> <td>Date</td> <td>Name</td> <td></td> <td></td> <td></td> </tr> </tbody> </table>							Scale	Free							TOLERANCE								X.X	±0.20	④	Add the "USB3.0 COMPLIANT"	24.03.2014	Winnie	Drawn	18.06.2010	Alex	X.XX	±0.15	③	Update Color	18.03.2014	Winnie	Approved	24.03.2014	Winnie	X.XXX	±0.05	②	Update design	17.01.2012	Lucas				DIM	TOL	①	Add sheet 2	13.12.2011	Lucas						①	Drawn	11.06.2010	Alex				Angle	±3°	Id.	Modification	Date	Name				
Scale	Free																																																																													
TOLERANCE																																																																														
X.X	±0.20	④	Add the "USB3.0 COMPLIANT"	24.03.2014	Winnie	Drawn	18.06.2010	Alex																																																																						
X.XX	±0.15	③	Update Color	18.03.2014	Winnie	Approved	24.03.2014	Winnie																																																																						
X.XXX	±0.05	②	Update design	17.01.2012	Lucas																																																																									
DIM	TOL	①	Add sheet 2	13.12.2011	Lucas																																																																									
		①	Drawn	11.06.2010	Alex																																																																									
Angle	±3°	Id.	Modification	Date	Name																																																																									
H	<table border="1"> <tr> <td>1</td> <td>2</td> <td>3</td> <td>4</td> <td>5</td> <td>6</td> <td>7</td> </tr> </table>							1	2	3	4	5	6	7																																																																
1	2	3	4	5	6	7																																																																								
						<p>Customer-No. ASSMANN WSW-No. A-USB3 B</p> <p>Drawing-No. ASS 4224 CO</p> <p>Replace rev04</p> <p>Sheet 2/2</p>																																																																								