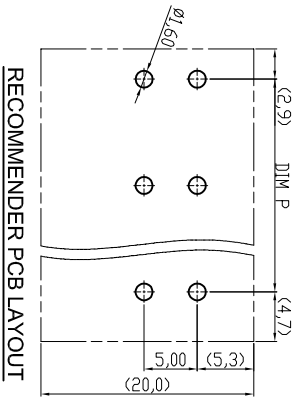
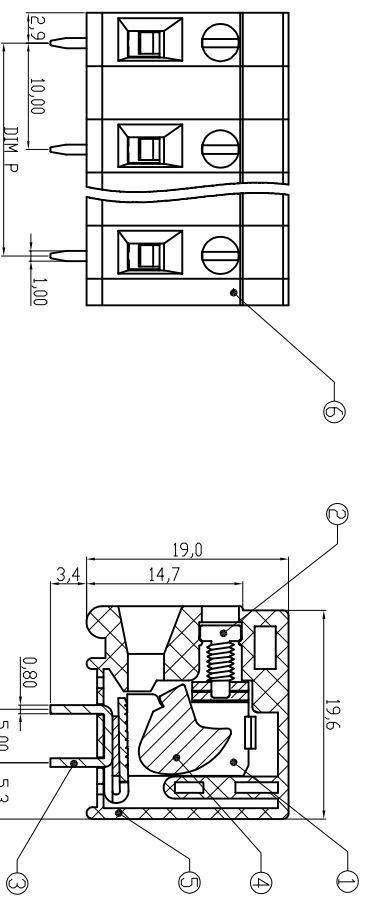
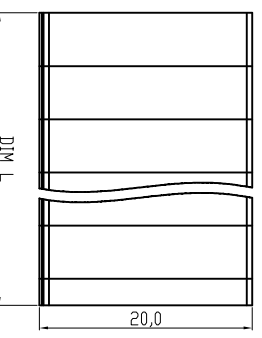


1 2 3 4 5 6 7



Material

- ① Terminal body(metal housing): steel stamping Zinc plating
- ② Terminal screw: Steel Zinc plating " " slot type
- ③ Solder pin: Brass,Tin plated
- ④ Firm wire chunk: steel Zinc plating
- ⑤ Terminal housing: Thermoplastic (UL94V-0) , GREEN
- ⑥ Terminal cover:Thermoplastic(UL94V-0)

Electrical cULus

Voltage rating: 300VAC
 Current rating: 20A
 Wire range:
 Solid wire(AWG): 12-22
 Stranded wire(AWG): 12-22
 Torque(Lb-in): 2.4
 Screw: M2,5
 Wire strip length: 10-11mm
 Withstanding Voltage: 1.6kV
 Operating temperature: -40°C to +115°C
 Soldering temperature: 250°C±10°C/5 Sec
 Safety Approval: **cULus**

DIMENSION

L	Nx10.0-2.5
P	(N-1)x10.0

N=Number of poles

Poles	Tolerance	DIM L	DIM P
2p-4p		±0.20	±0.20
5p-8p		±0.30	±0.25
9p-12p		±0.40	±0.30

RoHS compliant



Scale	Free	Id.	Modification	Date	Name
TOLERANCE					
X.	±0.50			19.04.2010	Alex
X.X	±0.30			15.03.2016	Amy
X.XX	±0.10				
DIM					
X.°	±1°				
Angle	TOL				



Customer-No.	ASSMANN WSW-No.	Drawing-No.	ASS 4097 CO	rev01
	A-TB100-TRXXH	Replace		Sheet

H G G H