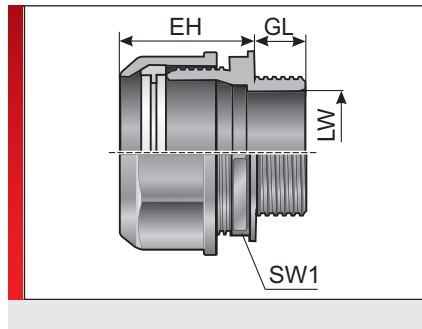


Type EH



Conduit fitting m-tec

PRODUCT INFORMATION

The EH conduit fittings are made of specially modified polyamide and polyoxymethylene. The materials are halogen, phosphor and cadmium-free.

The EH conduit fittings feature the following advantages:

- No parts can get lost, delivered completely assembled

- Tightness of IP 65 for static and dynamic application
- Integrated clamping ring ensures high tear-out strength

Specification:

- UL listed E 148958
- EN 45545-2:2013 3x HL3

SPECIFICATIONS

- Fitting: Mod. polyamide PA 6
Clamping ring Polyoxymethylene (POM)
- IP 65
- 40 – 110 °C transient / short term
140 °C
- V0 self-extinguishing

- EU
- US
- H
- RoHS
- Made in Germany

Type	Order No.	Colour	Connecting thread	Suitable for Murrflex EW	EH mm	GL mm	LW mm	SW 1 mm	Pack qty.
Metric thread									
EH-M12x1.5/9	83501452	Black	M12x1.5	M12/P09	26.00	13.00	8.00	19.00	50
EH-M12x1.5/11	83501456	Black	M12x1.5	M16/P11	26.00	13.00	8.00	22.00	50
EH-M16x1.5/9	83501454	Black	M16x1,5	M12/P09	26.00	13.00	11.00	19.00	50
EH-M16x1.5/11	83501458	Black	M16x1,5	M16/P11	26.00	13.00	11.00	22.00	50
EH-M20x1.5/13.5	83501459	Black	M20x1.5	DN 13	26.00	14.00	15.00	27.00	50
EH-M20x1.5/16	83501460	Black	M20x1.5	M20/P16(S)	26.00	14.00	15.00	27.00	50
EH-M25x1.5/21	83501462	Black	M25x1.5	M25/P21(S)	33.00	10.00	21.00	37.00	50
EH-M32x1.5/29 ¹⁾	83501464	Black	M32x1.5	M32/P29(S)	33.00	10.00	27.00	45.00	25
EH-M40x1.5/36 ¹⁾	83501466	Black	M40x1.5	M40/P36(S)	44.00	15.00	35.00	55.00	25
EH-M50x1.5/48 ¹⁾	83501468	Black	M50x1.5	M50/P48(S)	50.00	17.00	44.00	65.00	10
EH-M63x1.5/48 ¹⁾	83501470	Black	M63x1.5	M50/P48(S)	50.00	15.00	50.00	65.00	10
EH-M12x1.5/9	83501412	Grey	M12x1.5	M12/P09	26.00	13.00	8.00	19.00	50
EH-M12x1.5/11	83501416	Grey	M12x1.5	M16/P11	26.00	13.00	8.00	22.00	50
EH-M16x1.5/9	83501414	Grey	M16x1,5	M12/P09	26.00	13.00	11.00	19.00	50
EH-M16x1.5/11	83501418	Grey	M16x1,5	M16/P11	26.00	13.00	11.00	22.00	50
EH-M20x1.5/13.5	83501419	Grey	M20x1.5	DN 13	26.00	14.00	15.00	27.00	50
EH-M20x1.5/16	83501420	Grey	M20x1.5	M20/P16(S)	26.00	14.00	15.00	27.00	50
EH-M25x1.5/21	83501422	Grey	M25x1.5	M25/P21(S)	33.00	10.00	21.00	37.00	50
EH-M32x1.5/29 ¹⁾	83501424	Grey	M32x1.5	M32/P29(S)	33.00	10.00	27.00	45.00	25
EH-M40x1.5/36 ¹⁾	83501426	Grey	M40x1.5	M40/P36(S)	44.00	15.00	35.00	55.00	25
EH-M50x1.5/48 ¹⁾	83501428	Grey	M50x1.5	M50/P48(S)	50.00	17.00	44.00	65.00	10
EH-M63x1.5/48 ¹⁾	83501430	Grey	M63x1.5	M50/P48(S)	50.00	15.00	50.00	65.00	10

Type EH

Type	Order No.	Colour	Connecting thread	Suitable for Murrflex EW	EH mm	GL mm	LW mm	SW 1 mm	Pack qty.
Pg threads									
EH-Pg 07	83501050	Black	Pg 07	M10/P07	26.00	8.00	8.50	19.00	50
EH-Pg 07/09	83501068	Black	Pg 07	M12/P09	26.00	8.00	8.50	19.00	50
EH-Pg 09	83501052	Black	Pg 09	M12/P09	26.00	8.00	11.00	19.00	50
EH-Pg 09/11	83501070	Black	Pg 09	M16/P11	26.00	8.00	10.50	22.00	50
EH-Pg 09/13.5	83501072	Black	Pg 09	DN 13	26.00	8.00	10.50	27.00	50
EH-Pg 09/16	83501074	Black	Pg 09	M20/P16	26.00	8.00	10.50	27.00	50
EH-Pg 11/09	83501076	Black	Pg 11	M12/P09	26.00	8.00	14.00	19.00	50
EH-Pg 11	83501054	Black	Pg 11	M16/P11	26.00	8.00	14.00	22.00	50
EH-Pg 11/13.5	83501078	Black	Pg 11	DN 13	26.00	8.00	14.00	27.00	50
EH-Pg 11/16	83501080	Black	Pg 11	M20/P16	26.00	8.00	14.00	27.00	50
EH-Pg 13.5	83501055	Black	Pg 13.5	DN 13	26.00	8.00	14.00	27.00	50
EH-Pg 13.5/16	83501056	Black	Pg 13.5	M20/P16	26.00	8.00	14.00	27.00	50
EH-Pg 16/13.5	83501082	Black	Pg 16	DN 13	26.00	8.00	17.00	27.00	50
EH-Pg 16	83501058	Black	Pg 16	M20/P16	26.00	8.00	17.00	27.00	50
EH-Pg 21	83501060	Black	Pg 21	M25/P21(S)	34.00	10.00	23.00	38.00	50
EH-Pg 21 long	83501061	Black	Pg 21	M25/P21(S)	34.00	15.00	23.00	38.00	50
EH-Pg 29 ¹⁾	83501062	Black	Pg 29	M32/P29(S)	34.00	10.00	31.00	46.00	25
EH-Pg 36 ¹⁾	83501064	Black	Pg 36	M40/P36(S)	44.00	15.00	40.00	55.00	25
EH-Pg 48 ¹⁾	83501066	Black	Pg 48	M50/P48(S)	50.00	15.00	51.00	65.00	10
Grey threads									
EH-Pg 07	83501010	Grey	Pg 07	M10/P07	26.00	8.00	8.50	19.00	50
EH-Pg 07/09	83501028	Grey	Pg 07	M12/P09	26.00	8.00	8.50	19.00	50
EH-Pg 09	83501012	Grey	Pg 09	M12/P09	26.00	8.00	11.00	19.00	50
EH-Pg 09/11	83501030	Grey	Pg 09	M16/P11	26.00	8.00	10.50	22.00	50
EH-Pg 09/13.5	83501032	Grey	Pg 09	DN 13	26.00	8.00	10.50	27.00	50
EH-Pg 09/16	83501034	Grey	Pg 09	M20/P16	26.00	8.00	10.50	27.00	50
EH-Pg 11/09	83501036	Grey	Pg 11	M12/P09	26.00	8.00	14.00	19.00	50
EH-Pg 11	83501014	Grey	Pg 11	M16/P11	26.00	8.00	14.00	22.00	50
EH-Pg 11/13.5	83501038	Grey	Pg 11	DN 13	26.00	8.00	14.00	27.00	50
EH-Pg 11/16	83501040	Grey	Pg 11	M20/P16	26.00	8.00	14.00	27.00	50
EH-Pg 13.5	83501015	Grey	Pg 13.5	DN 13	26.00	8.00	14.00	27.00	50
EH-Pg 13.5/16	83501016	Grey	Pg 13.5	M20/P16	26.00	8.00	14.00	27.00	50
EH-Pg 16/13.5	83501042	Grey	Pg 16	DN 13	26.00	8.00	17.00	27.00	50
EH-Pg 16	83501018	Grey	Pg 16	M20/P16	26.00	8.00	17.00	27.00	50
EH-Pg 21	83501020	Grey	Pg 21	M25/P21(S)	34.00	10.00	23.00	38.00	50
EH-Pg 21 long	83501021	Grey	Pg 21	M25/P21(S)	34.00	15.00	23.00	38.00	50
EH-Pg 29 ¹⁾	83501022	Grey	Pg 29	M32/P29(S)	34.00	10.00	31.00	46.00	25
EH-Pg 36 ¹⁾	83501024	Grey	Pg 36	M40/P36(S)	44.00	15.00	40.00	55.00	25
EH-Pg 48 ¹⁾	83501026	Grey	Pg 48	M50/P48(S)	50.00	15.00	51.00	65.00	10
NPT thread									
EH-NPT 3/8"/11	83501251	Black	3/8"	M16/P11	26.00	14.00	12.00	22.00	50
EH-NPT 1/2"/16	83501250	Black	1/2"	M20/P16(S)	26.00	13.00	14.00	27.00	50
EH-NPT 3/4"/21	83501252	Black	3/4"	M25/P21(S)	31.00	14.00	19.00	37.00	50
EH-NPT 1"/29 ¹⁾	83501254	Black	1"	M32/P29(S)	32.00	19.00	26.00	46.00	25

Conduit fitting m-tec

Type EH

Type	Order No.	Colour	Connecting thread	Suitable for Murrflex EW	EH mm	GL mm	LW mm	SW 1 mm	Pack qty.
EH-NPT 1 1/4"/36 ¹⁾	83501256	Black	1 1/4"	M40/P36(S)	44.00	18.00	35.00	55.00	25
EH-NPT 2"/48 ¹⁾	83501258	Black	2"	M50/P48(S)	50.00	18.00	51.00	65.00	10
EH-NPT 3/8"/11	83501211	Grey	3/8"	M16/P11	26.00	14.00	12.00	22.00	50
EH-NPT 1/2"/16	83501210	Grey	1/2"	M20/P16(S)	26.00	13.00	14.00	27.00	50
EH-NPT 3/4"/21	83501212	Grey	3/4"	M25/P21(S)	31.00	14.00	19.00	37.00	50
EH-NPT 1"/29 ¹⁾	83501214	Grey	1"	M32/P29(S)	32.00	19.00	26.00	46.00	25
EH-NPT 1 1/4"/36 ¹⁾	83501216	Grey	1 1/4"	M40/P36(S)	44.00	18.00	35.00	55.00	25
EH-NPT 2"/48 ¹⁾	83501218	Grey	2"	M50/P48(S)	50.00	18.00	51.00	65.00	10

¹⁾ With cURus- approval

MATERIAL PROPERTIES



Fitting: Mod. polyamide PA 6
Clamping ring Polyoxymethylene (POM)

MECHANICAL PROPERTIES



Protection class
IP 65

THERMAL PROPERTIES



Temperature / temperature range
-40 – 110 °C transient / short term 140 °C

FIRE BEHAVIOUR



Fire classification
V0 self-extinguishing

Fire properties as per EN 45545-2: 2013

C.I.T. R22 / R23 HL3 = 0,43
LOI R22 / R23 HL3 = 33,8 %
Ds (max.) R22 / R23 HL3 = 63

APPROVALS AND OPERATING PERMITS



Railway EU approval



cURus approval

TECHNICAL INFORMATION



Halogen-free

CONFORMITY



RoHS (EC Directive 202/95/EC)

Type EH

GENERAL INFORMATION



Made in Germany

All details given in our sales material prospectuses and catalogues as well as the information available online are based on our current knowledge of the products described.

The electronic data and files made available by Murrplastik, particularly CAD files are based on our current knowledge of the product described.

A legally binding assurance of certain properties or the suitability for a certain purpose can not be determined from this information.

All information with respect to the chemical and physical properties of Murrplastik products as well as application advice given verbally, in writing or by tests, is given to the best of our knowledge.

This does not free the purchaser of carrying out their own inspections and tests in order to determine the suitability of a product for a specific purpose.

Murrplastik accepts no responsibility for the available information being up-to-date, correct or complete. Neither do we accept responsibility for the quality of this information.

Murrplastik accepts no liability for damage caused as a result of using our products.

Murrplastik reserves the right to make technical changes and improvements through constant further development of products and services.

Our General Terms and Conditions apply.