

DIALIGHT PART NUMBER	LED & LENS COLOR	TEST CONDITIONS	OPERATING CHARACTERISTICS AT 25°C AMBIENT								
			LUMINOUS INTENSITY (mcd)		FORWARD VOLTAGE (V)		FORWARD CURRENT (mA)		DOMINANT WAVELENGTH (nm)	PEAK WAVELENGTH (nm)	VIEWING ANGLE (DEG)
			MIN	TYP	TYP	MAX	MIN	MAX	TYP	TYP	TYP
555-3001F	RED, TINTED, DIFFUSED	I _F = 10mA	0.4	0.6	1.6	2.0	—	—	640	655	35
555-3003F	RED, TINTED, DIFFUSED, INT RES, 5V	V _F = 5V	1.0	2.5	—	—	3.7	8.70	640	655	35
555-3007F	RED, TINTED, DIFFUSED, INT RES, 5V	V _F = 5V	0.4	0.6	—	—	2.2	4.3	640	655	35
555-3008F	RED, TINTED, DIFFUSED, INT RES, 24V	V _F = 24V	0.4	0.6	—	—	2.3	4.1	640	655	35
555-3009F	RED, TINTED, DIFFUSED, INT RES, 5V	V _F = 5V	0.4	0.6	—	—	—	2.6	640	655	35
555-3301F	HI. PERF. GREEN, TINTED, DIFFUSED	I _F = 10mA	6.3	25	2.1	2.7	—	—	569	565	35
555-3303F	HI. PERF. GREEN, TINTED, DIFF, INT RES, 5V	V _F = 5V	1.0	2.0	—	—	3.3	13.0	569	565	35
555-3401F	YELLOW, TINTED, DIFFUSED	I _F = 10mA	16	50	2.0	2.4	—	—	585	583	35
555-3403F	YELLOW, TINTED, DIFFUSED, INT RES, 5V	V _F = 5V	1.6	5.0	—	—	3.5	5.3	585	583	35

REV	ECN NO	REVISIONS	DRN	CKD	APP	DATE
A	—	NEW RELEASE	AJF	KLJ	NO	7-30-09
B	—	CHANGED PRINTED LOGO AND P/N TO RECESSED	RSK	WFB	NO	12-11-14

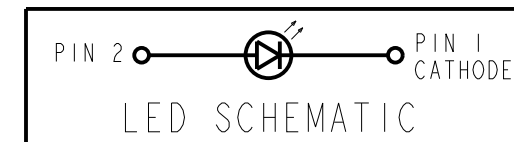
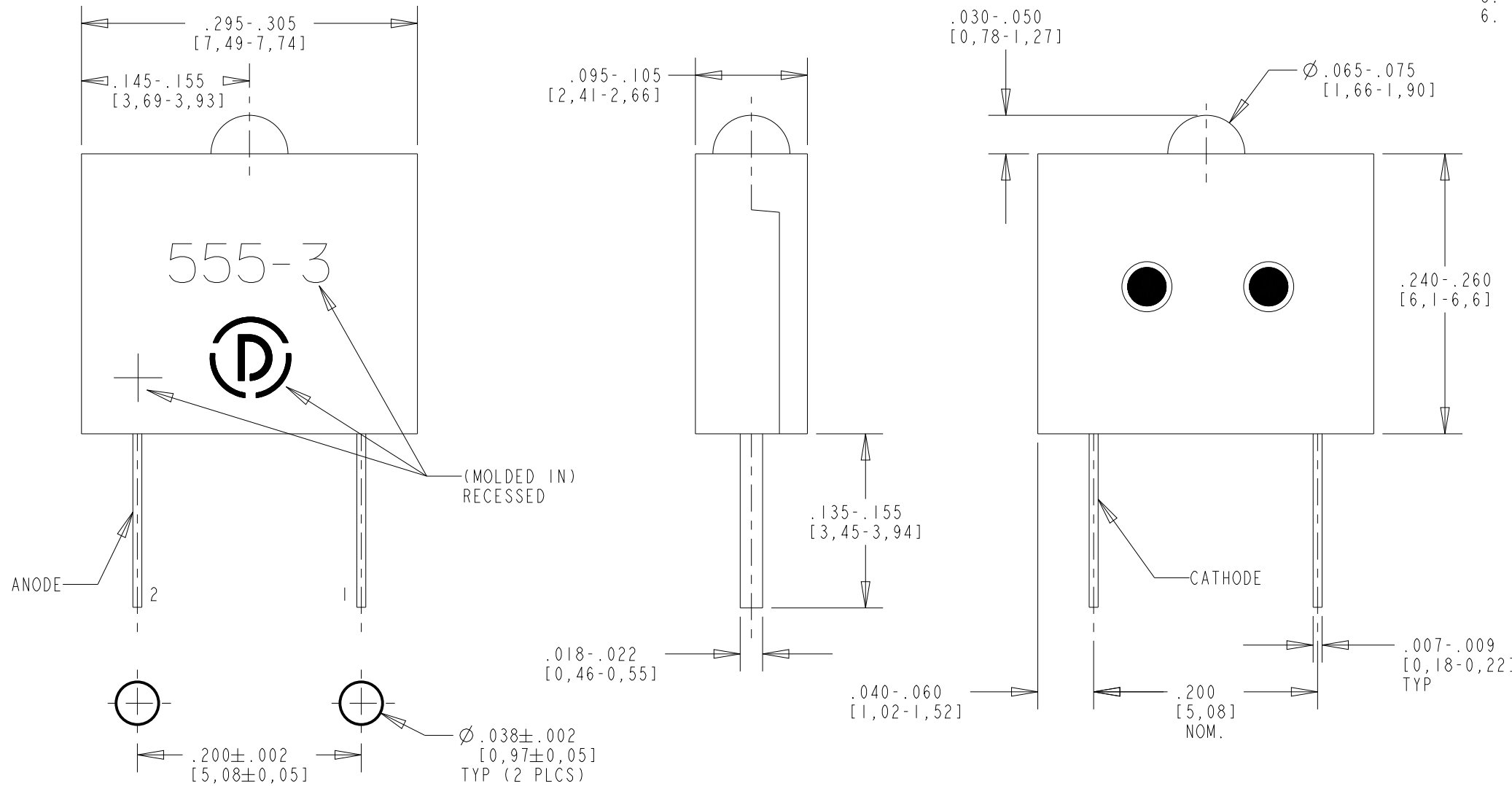
RoHS Compliant 555-3X0XF

Part Numbers with the "F" suffix ending are RoHS Compliant.
 Example: 555-3001F
 Packaging is marked with "RoHS Compliant" label or equivalent markings. Parts can be wave soldered, dip soldered or hand soldered using typical lead-free soldering process with max 260°C temp. for 5 sec.

ABSOLUTE MAXIMUM RATINGS (AT 25°C AMBIENT)	RED	RED INT RES, 5V	RED INT RES, 24V	GREEN	GREEN INT RES, 5V	YELLOW	YELLOW INT RES, 5V	UNITS
DC FORWARD VOLTAGE	—	6	24	—	6	—	6	V
DC FORWARD CURRENT	50	—	—	30	—	20	—	mA
REVERSE VOLTAGE (I _R =100μA)	5							V
OPERATING TEMPERATURE	-55 to +100	-40 to +85	-40 to +85	-40 to +100	-20 to +85	-55 to +100	-40 to +85	°C
STORAGE TEMPERATURE	-55 TO +100							°C
SOLDERING TEMPERATURE (1/16" FROM BODY FOR 5 SEC)	260							°C

NOTES:

- PIN NUMBERS FOR REFERENCE ONLY, DESIGNATION NON-EXISTENT ON PART.
- DIALIGHT PART NUMBERS: 555-3X0XF.
- THIS ASSEMBLY CONTAINS ELECTROSTATIC DISCHARGE SENSITIVE DEVICES (ESDS). MAINTAIN ALL PRECAUTIONARY MEASURES DURING ASSEMBLY, HANDLING, AND STORAGE IN ACCORDANCE WITH IPC-A-610.
- LED LEAD DIMENSIONS SHOWN ARE MEASURED AT HOUSING EXIT.
- LEADS TO FIT INTO HOLES SPACED AS PER PATTERN.
- LED LEADS - PURE Sn PLATING OVER OLIN 194 COPPER ALLOY BASE METAL



ATTENTION:
 OBSERVE PRECAUTIONS FOR
 HANDLING ELECTROSTATIC
 SENSITIVE DEVICES

THIS DRAWING AND THE CONTENTS HEREIN ARE CONFIDENTIAL AND THE SOLE PROPERTY OF DIALIGHT. REPRODUCTION OF THIS DRAWING OR CONSTRUCTION OF ANY PARTS WITHIN THIS DRAWING ARE FORBIDDEN WITHOUT THE WRITTEN CONSENT OF DIALIGHT.

SCALE: 8.000	DRAWING NUMBER	REV
ALL DIM'S IN: INCHES (MM)	C-17657	B
TOLERANCES: UNLESS OTHERWISE SPECIFIED	TITLE Ø2mm SINGLE CBI TOP VIEW	
FRACTIONS: ±1/64	RoHS COMPLIANT	
DECIMALS (.XX): ±.02	MATERIAL	
DECIMALS (.XXX): ±.015	Dialight	
ANGLES: ±3°	1501 ROUTE 34 SOUTH	
FINISH:	FARMINGDALE, NJ 07727	
FSCM 83330	SHEET 1 OF 1	FAMILY TABLE:

RECOMMENDED HOLE PATTERN

ACTUAL SIZE