

THIS DRAWING IS UNPUBLISHED.

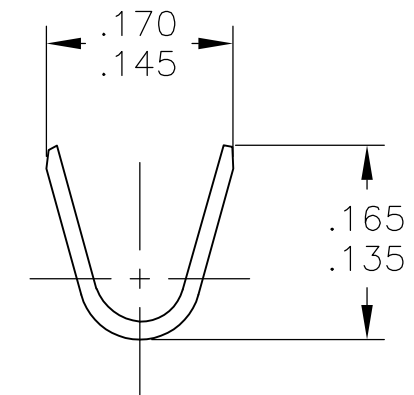
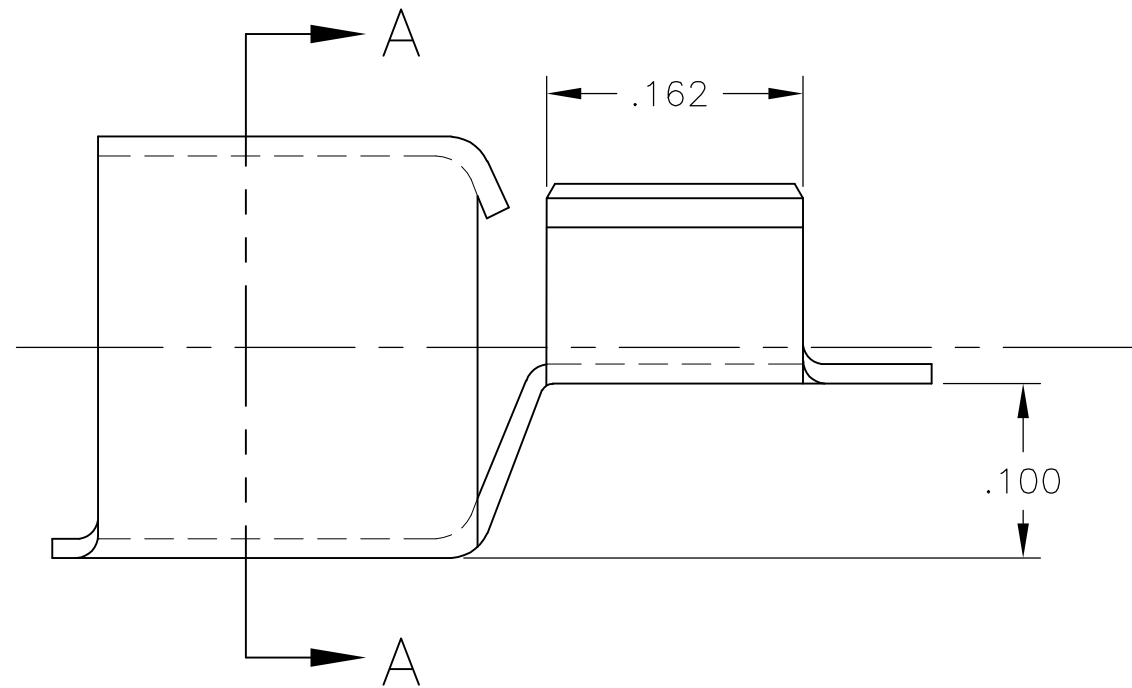
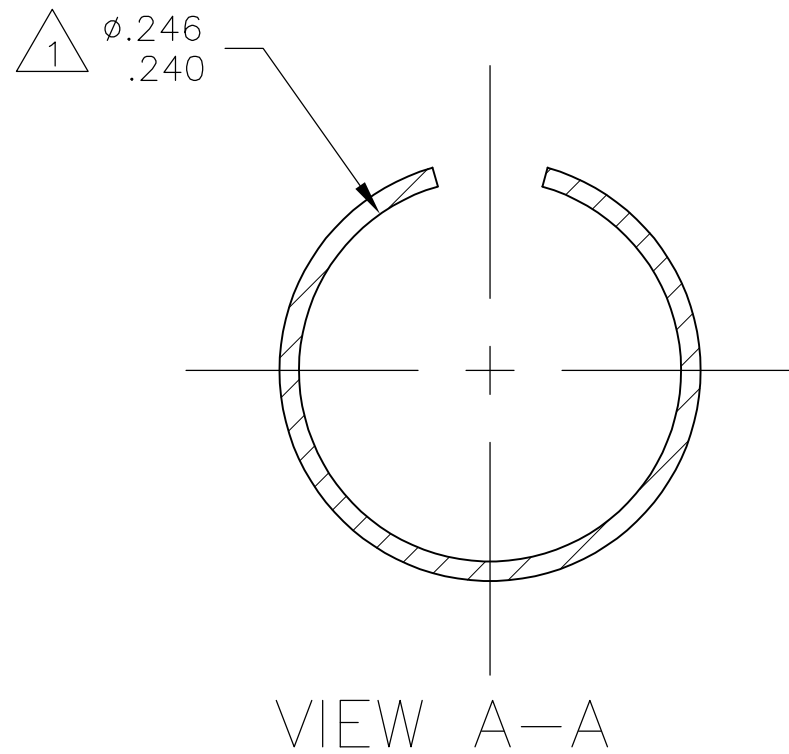
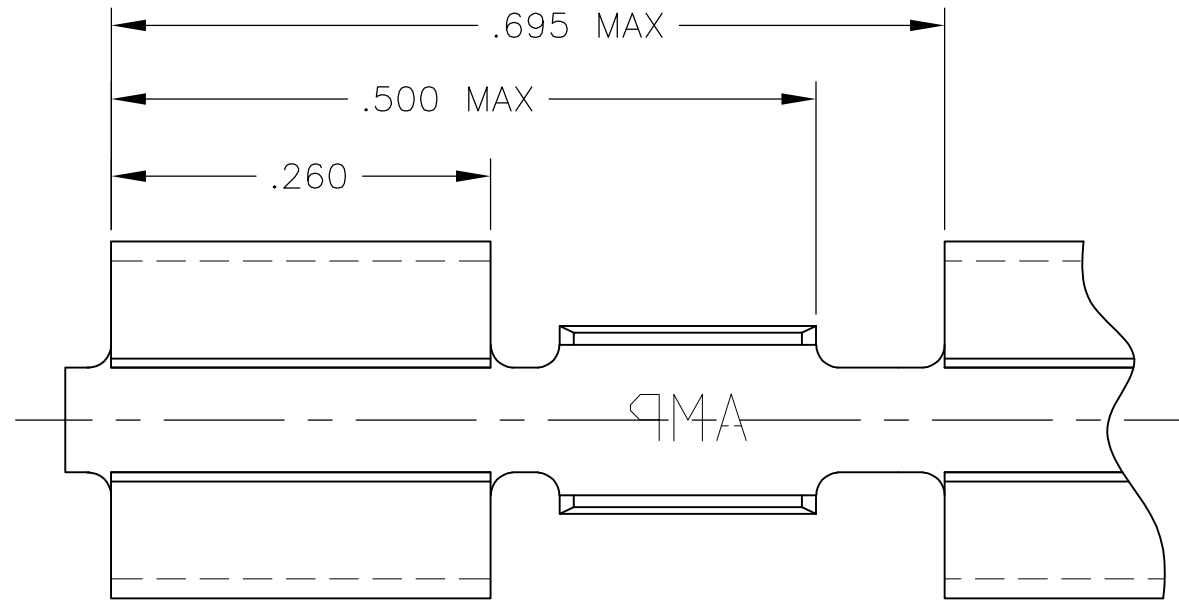
RELEASED FOR PUBLICATION

REVISIONS

© COPYRIGHT - By -


ALL RIGHTS RESERVED.

P	LTR	DESCRIPTION	DATE	DWN	APVD
	H1	REVISED PER ECR-17-000551	20NOV2016	RS	TD



PRE-TIN	.020 BRASS	40626
PLATING	MATERIAL	PART NO

1 FITS ON $\phi.250 \pm .003$ PIN.

THIS DRAWING IS A CONTROLLED DOCUMENT.		DWN RAVI S 20NOV2016	 TE Connectivity														
DIMENSIONS: INCHES		CHK LI DAISY 16JAN2017															
TOLERANCES UNLESS OTHERWISE SPECIFIED:		APVD DING TIM 20NOV2016	NAME FUSE RECEPTACLE														
<table border="1"> <tr><td>0 PLC</td><td>± -</td></tr> <tr><td>1 PLC</td><td>± -</td></tr> <tr><td>2 PLC</td><td>± -</td></tr> <tr><td>3 PLC</td><td>± .015</td></tr> <tr><td>4 PLC</td><td>± -</td></tr> <tr><td>ANGLES</td><td>± -</td></tr> </table>		0 PLC	± -	1 PLC	± -	2 PLC	± -	3 PLC	± .015	4 PLC	± -	ANGLES	± -	PRODUCT SPEC -	APPLICATION SPEC -		
0 PLC	± -																
1 PLC	± -																
2 PLC	± -																
3 PLC	± .015																
4 PLC	± -																
ANGLES	± -																
MATERIAL SEE TABLE	FINISH SEE TABLE	WEIGHT -	SIZE A3	CAGE CODE 00779	DRAWING NO C-40626	RESTRICTED TO -											
CUSTOMER DRAWING			SCALE 1:1	SHEET 1 OF 1	REV H1												