

Mounting Option

M3-0.5 Metric Threaded Inserts

Contact Detail

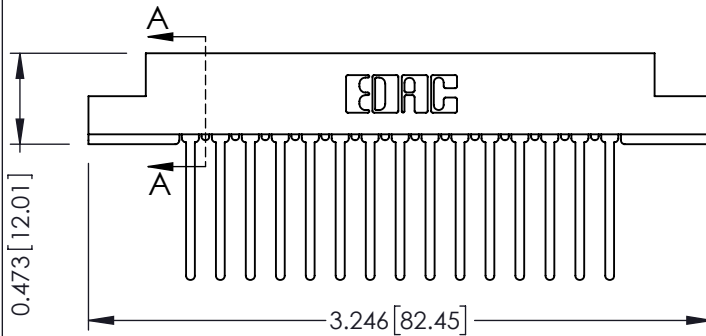
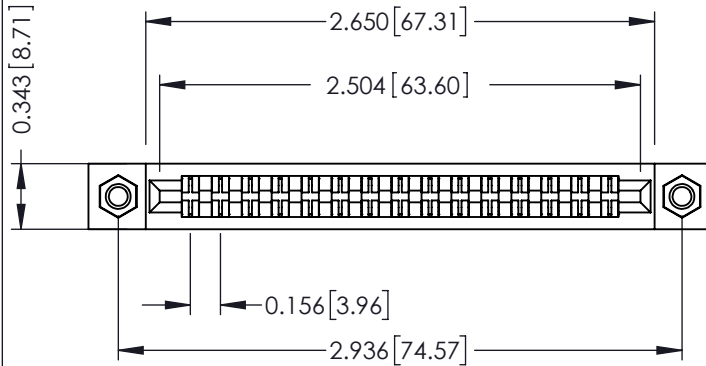
Wire Wrap .046x.013(1.17x0.33) - Tail LG=.708(17.98)
 .156 [3.96] Contact Spacing x .200 [5.08] Row Spacing

THIS IS A C.A.D. GENERATED DRAWING
 DO NOT MAKE MANUAL REVISIONS TO MASTER.

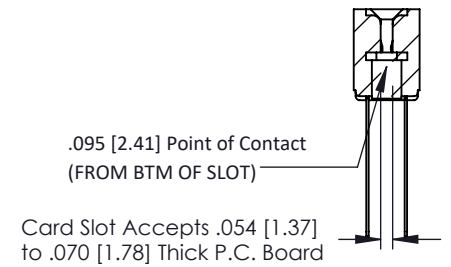


ISSUE NUMBER

ORIGINAL



SECTION A-A



See Accompanying Pages for:

- Contact Bend Details
- Mounting Options

307 / 357 Card Edge Connector

Part Number: 307-030-540-207



EDAC INC
 TORONTO, ONTARIO
 CANADA

YOUR CONNECTION TO QUALITY & SERVICE

THESE DRAWINGS AND SPECIFICATIONS
 ARE THE PROPERTY OF EDAC INC. AND
 SHALL NOT BE REPRODUCED, OR COPIED
 OR USED AS THE BASIS FOR THE
 MANUFACTURE OR SALE OF APPARATUS
 WITHOUT WRITTEN PERMISSION.

ACAD REFERENCE NO. 307 ENG MASTER

DRAWN: J.LEE DATE: AUG. 11/09

CHECKED: DATE:

SCALE: NTS SHEET 1 OF 3

DRAWING NUMBER 307 Assembly ISSUE 1

0.240 6.10

0.240 6.10

0.260 6.60

0.060 1.52

0.110 2.79

0.150 3.81

0.392 9.96

0.045 1.14

0.045 1.14

0.162 [4.11] 28/56 and Over

0.120 3.05
0.265 6.73

0.095 2.41
0.195 4.95

0.165 4.19
0.343 8.71

.125 [3.18] to .210 [5.33]
Outside Tails
.045 [1.14] to .060 [1.52]
Between Tails

.125 [3.18] to .210 [5.33]
Outside Tails
.045 [1.14] to .060 [1.52]
Between Tails