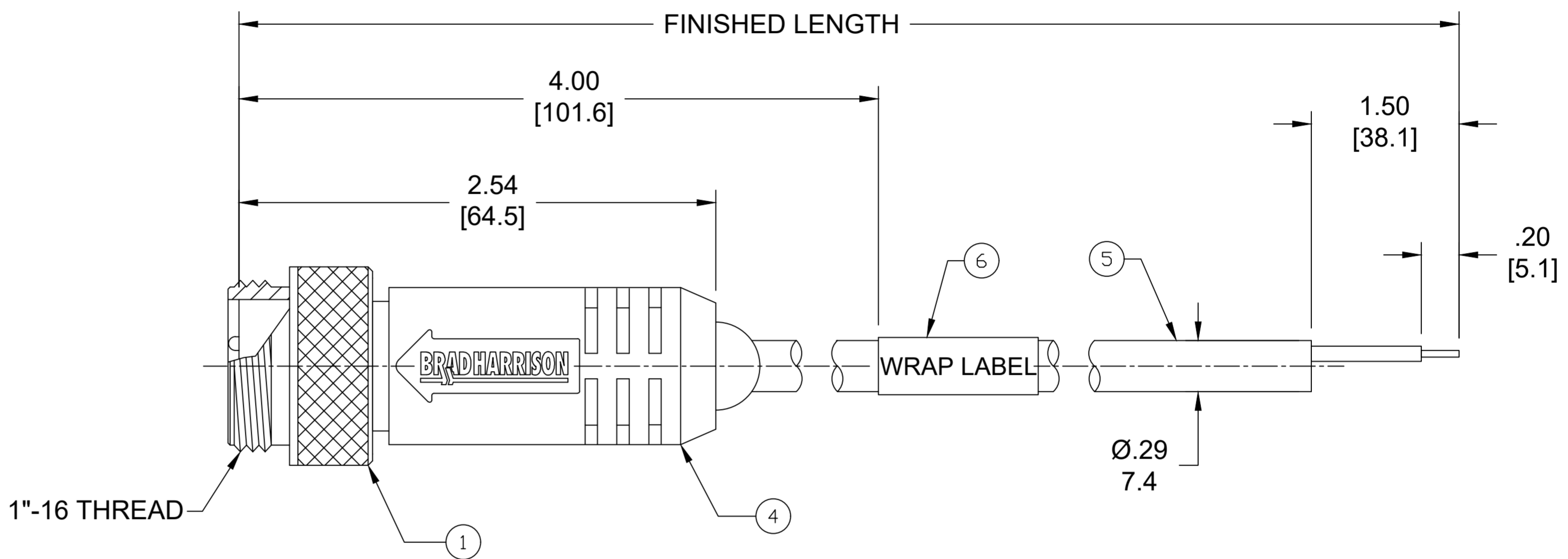
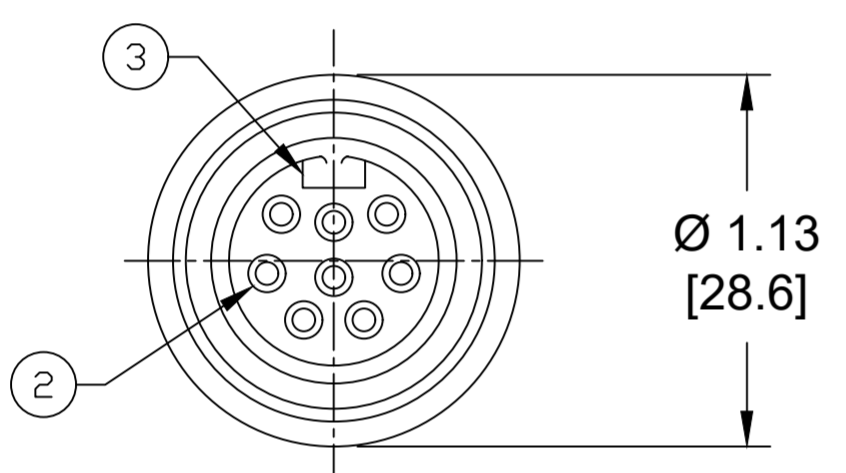


SAP P/N #	ENGINEERING P/N	FINISHED LENGTH
1300070450	208006A04M003	0.3M [12 IN]

**CABLE LENGTH TOLERANCES**

>.3M [1FT]: +19mm-0 [ +.75in-0]  
 .3 - .9M [1 - 3FT]: +44.5mm-0 [+1.75in-0]  
 .9 - 1.8M [3 - 6FT]: +55.6mm-0 [+2.19in-0]  
 1.8 - 3.7M [6 - 12FT]: +88.9mm-0 [+3.50in-0]  
 3.7 - 7.3M [12 - 24FT]: +165.1mm-0 [+6.50in-0]  
 7.3-14.6M [24 - 48FT]: +317.5mm-0 [+12.50in-0]  
 14.6 - 30.5M [48-100FT]: +622.3mm-0 [+24.50in-0]  
 OVER 30M [100FT] +2% OF FINISHED LENGTH



- NOTES:**
- MATERIAL: AS NOTED
  - FINISH: AS NOTED
  - ELECTRICAL:  
VOLTAGE: 320V PER IEC60664  
300V PER UL2238  
CURRENT: 2.5A
  - TEMP RATING: -20°C TO +90°C
  - PROTECTION: IP67 (IN FULLY MATED POSITION)
  - UL RECOGNIZED FILE: E152210  
CSA CERTIFIED FILE: LR6837
  - ALL DIMENSIONS ARE FOR REFERENCE UNLESS TOLERANCED OR NOTED OTHERWISE

**PART NO. MATRIX**  
 208006A04M003

LENGTH:  
 M005= 0.5 METER  
 M010= 1 METER  
 M100= 10 METER

ITEM	DESCRIPTION	MATERIAL	FINISH
6	WRAP LABEL	VINYL	BLACK/YELLOW
5	CABLE #22-7 #18-1	PVC JACKET	YELLOW
4	OVERMOLD	TPE	YELLOW
3	INSERT	TPE	YELLOW
2	CONTACT PINS	COPPER ALLOY	GOLD PLATED
1	COUPLING NUT	ALUMINUM	BLACK

PRE-RELEASE  
 REFERENCE  
 USE ONLY

THIS DRAWING CONTAINS INFORMATION THAT IS PROPRIETARY TO MOLEX ELECTRONIC TECHNOLOGIES, LLC AND SHOULD NOT BE USED WITHOUT WRITTEN PERMISSION

FUNCTIONAL SYMBOLS: FA=0, EC=0, EP=0

DIMENSION UNITS: INCH/MM, SCALE: NTS

GENERAL TOLERANCES (UNLESS SPECIFIED): 4 PLACES ±---, 3 PLACES ±---, 2 PLACES ±---, 1 PLACE ±---, 0 PLACES ±---

ANGULAR TOL ± --- °

DRAFT WHERE APPLICABLE MUST REMAIN WITHIN DIMENSIONS

THIRD ANGLE PROJECTION

DRAWING: C-SIZE, SERIES: 130007

CURRENT REV DESC: ITEM# 3 & 4 WERE PVC. ADDED TOL CHART AND MODIFIED MATERIAL TABLE

EC NO: 643513  
 DRWN: ABENJAMINLW 2020/07/07  
 CHK'D: RSTONE 2020/08/28  
 APPR: ---

INITIAL REVISION:  
 DRWN: RSTONE 2018/02/19  
 APPR: BWOODMAN 2018/02/20

**molex**

MINI-CHANGE CORDSET, B-SIZE, 8 POLE, MALE, STRAIGHT, SINGLE KEY, 22 AWG X 7, 18 AWG X 1

PRODUCT CUSTOMER DRAWING

DOCUMENT NUMBER: SD-130007-008, DOC TYPE/DOC PART: PSD 001, REVISION: D

MATERIAL NUMBER: SEE CHART, CUSTOMER: GENERAL MARKET, SHEET NUMBER: 1 OF 1