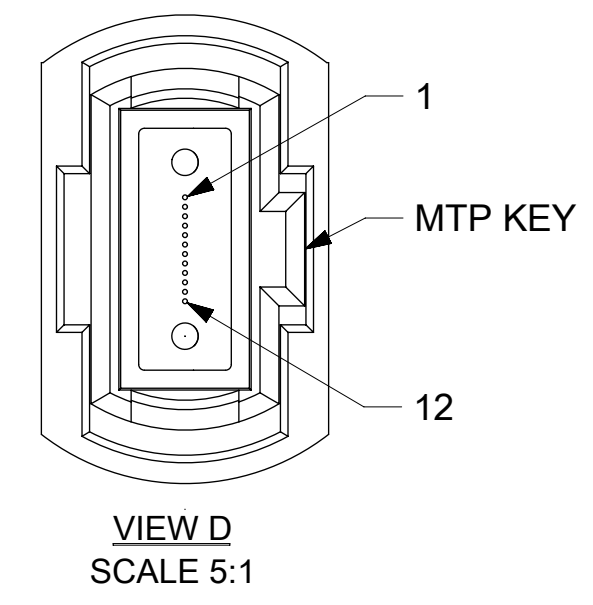
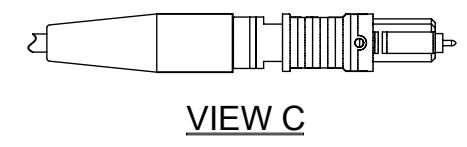
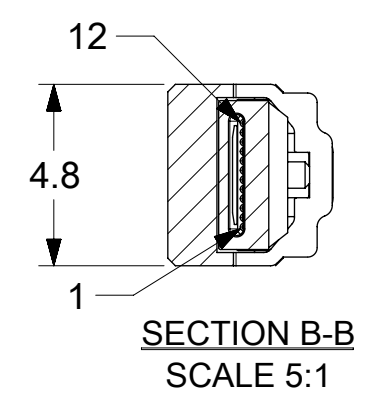
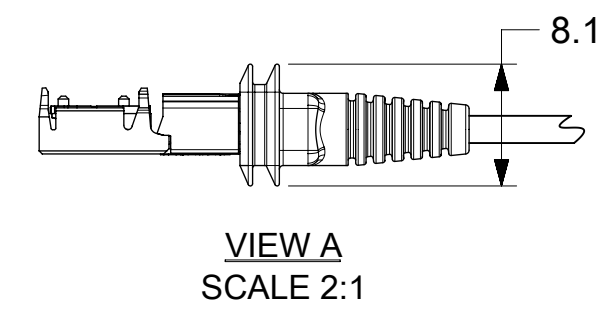
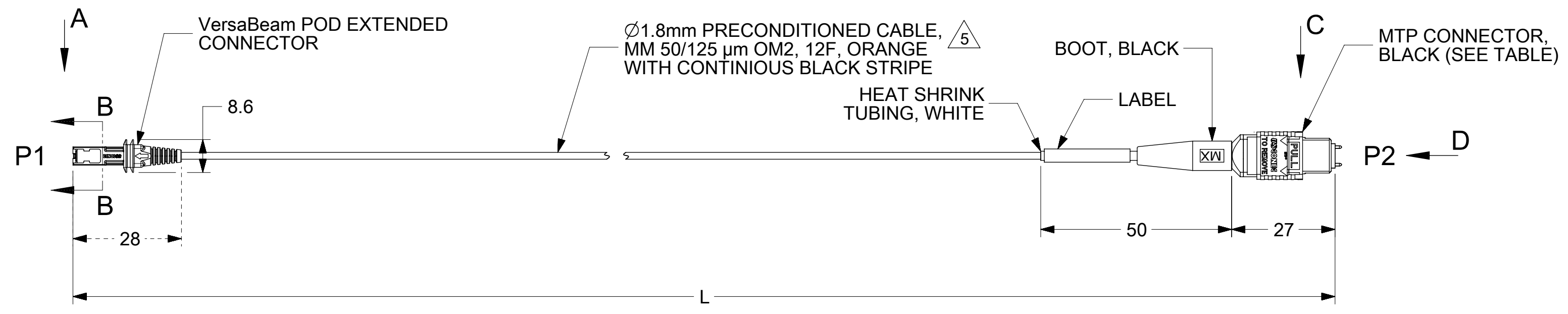


JUMPER P/N	OVERALL LENGTH, L (m)	MTP CONN. TYPE
1062673000	0.3 +0.1/-0	MALE
1062673001		FEMALE
1062673002	1.0 +0.2/-0	MALE
1062673003		FEMALE

CONNECTIONS	
FROM	TO
P1-1 THRU P1-12	P2-12 THRU P2-1



NOTES:

- DUST CAPS ARE NOT SHOWN BUT INCLUDED. MALE MTP CONNECTOR IS SHOWN. FEMALE CONNECTOR DOES NOT CONTAIN PINS.
- LABEL IS PRINTED WITH MOLEX NAME, P/N AND SERIAL NUMBER.
- MAXIMUM INSERTION LOSS @ 850 nm TO AN INTERPOSER: 2.0 dB
THROUGHPUT LOSS (MTP + VersaBeam POD): 1.2 dB

TEST DATA IS PROVIDED WITH EACH SHIPMENT.
- ALL EXPOSED MATERIALS MEET UL94 V-0. CABLE RATING - OFNG-LS (UL1685).
- TO PREVENT FIBER TWIST DURING INSTALLATION, USE BLACK STRIPE ON THE JACKET AS A REFERENCE OR THE CABLE/FIBER ORIENTATION.
- THE 1.8mm CABLE JACKET IS FOR FIBER PROTECTION FOR ON-BOARD APPLICATIONS. THE TRANSITION FROM MTP TO 1.8mm CABLE ACTS AS A BEND LIMITER AND DOES NOT PROVIDE MECHANICAL STRAIN RELIEF.

THIS DRAWING CONTAINS INFORMATION THAT IS PROPRIETARY TO MOLEX ELECTRONIC TECHNOLOGIES, LLC AND SHOULD NOT BE USED WITHOUT WRITTEN PERMISSION									
SYMBOLS	DIMENSION UNITS	SCALE	CURRENT REV DESC:			molex			
▽ = 0	mm	1:1	EC NO: 601499 DRWN: IGUMIN 2018/07/16 CHK'D: GGENCHANOK 2018/07/17 APPR: GGENCHANOK 2018/07/17			VERSABEAM POD TO MTP JUMPER, MM 50/125, 12F 1.8MM CABLE			
▽ = 0	GENERAL TOLERANCES (UNLESS SPECIFIED)								
▽ = 0	ANGULAR TOL ± 0.5°					INITIAL REVISION:			DOCUMENT NUMBER
▽ = 0	4 PLACES	±	DRWN: KPEVZNER 2012/02/22			SD-106267-3000			
▽ = 0	3 PLACES	±	APPR: IGUMIN 2012/02/23			MATERIAL NUMBER	CUSTOMER	SHEET NUMBER	
▽ = 0	2 PLACES	±	DRAFT WHERE APPLICABLE MUST REMAIN WITHIN DIMENSIONS			SEE TABLE	GENERAL MARKET	1 OF 1	
▽ = 0	1 PLACE	±	THIRD ANGLE PROJECTION	DRAWING	SERIES				
▽ = 0	0 PLACES	±		C-SIZE	106267				

DOCUMENT STATUS	P1	RELEASE DATE	2018/07/17 16:08:57
12	11	10	9