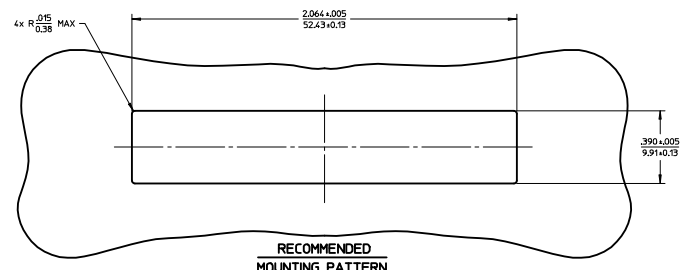
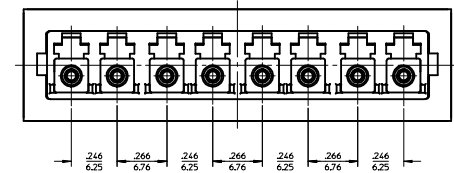
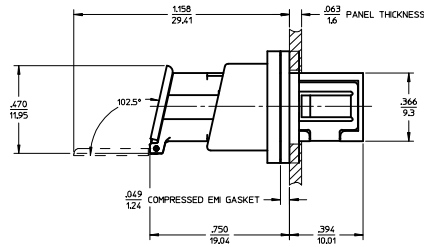
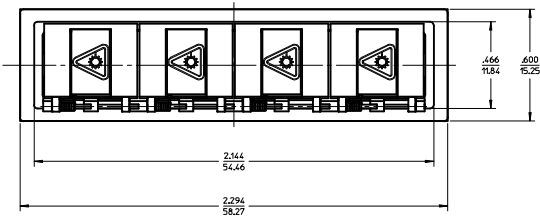
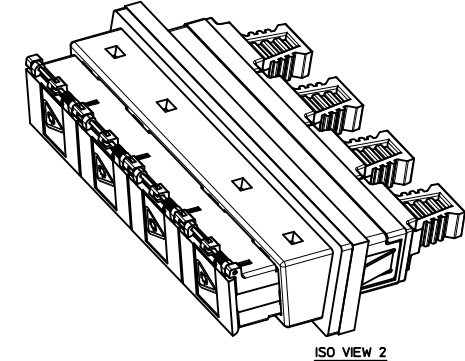
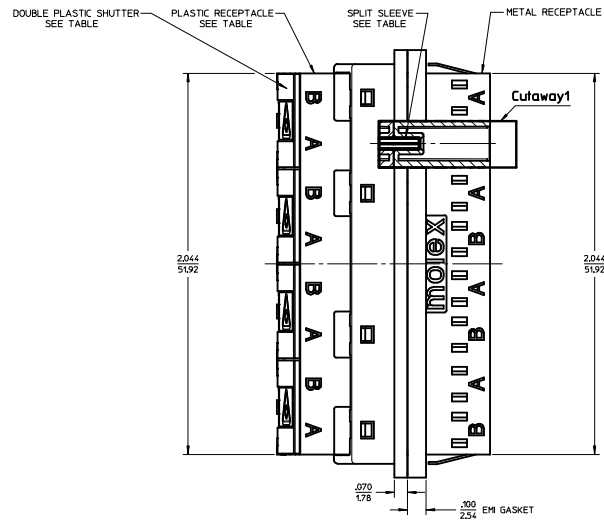
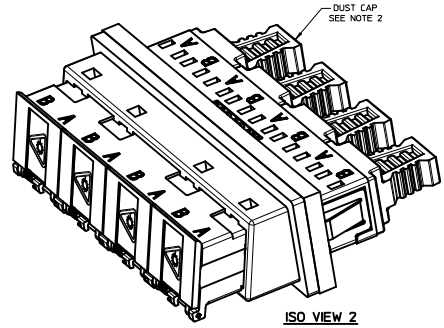


LC 8 PORT ADAPTER P/N	PLASTIC RECEPTACLE COLOR	DOUBLE PLASTIC SHUTTER COLOR	SPLIT SLEEVE MATERIAL
106121-0950	BLUE	BLUE	CERAMIC
106121-0951	GREEN	GREEN	
106121-0952	BEIGE	BEIGE	PHOSPHOR BRONZE
106121-0953	AQUA	AQUA	



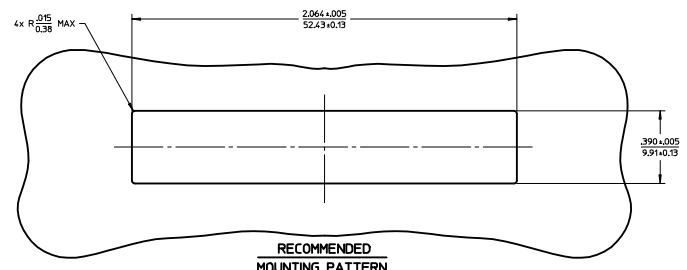
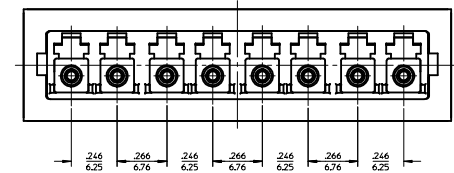
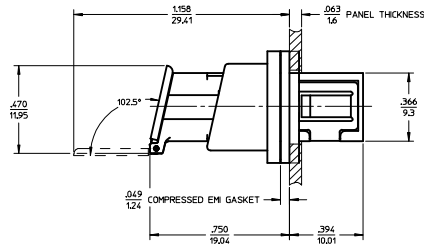
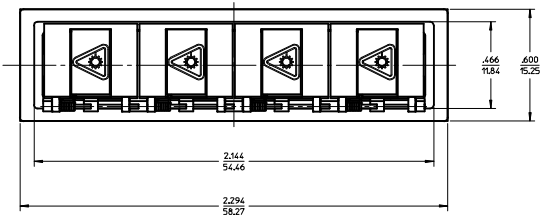
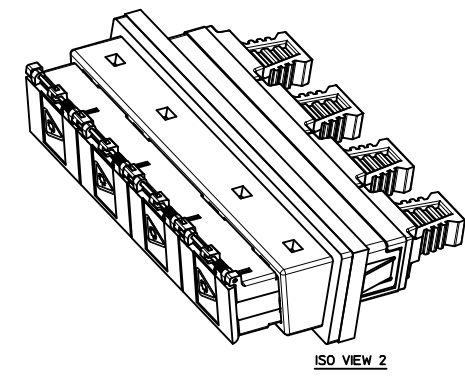
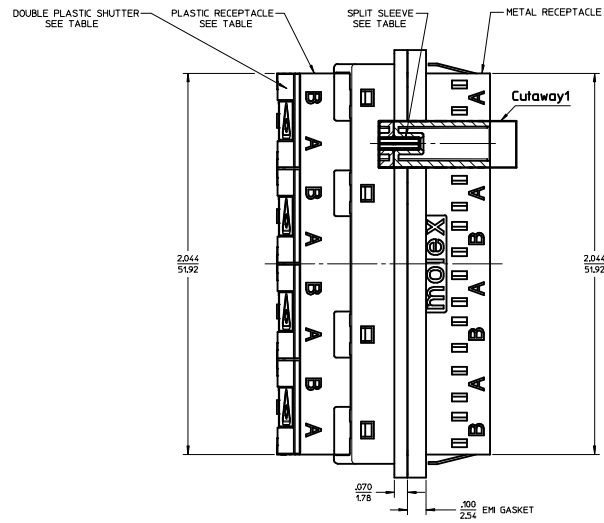
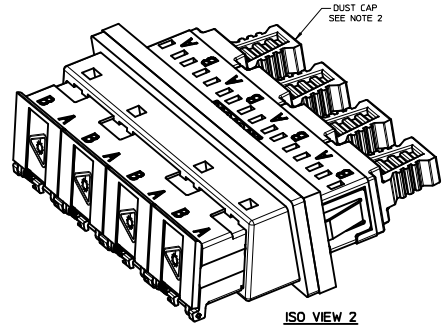
NOTES:
1. ALL DIMENSIONS ARE FOR REFERENCE.
2. DUST CAPS SHOWN IN ISOMETRIC VIEWS ONLY.

ENTER DESCRIPTION IEC NO. MF2012-0092 DRAWN/YBELNKIY 2011/10/05 CHKD: CHYK APPR: WCHEN 2012/02/06	QUALITY SYMBOLS ▽=0 ▽=0	GENERAL TOLERANCES (UNLESS SPECIFIED) <table border="1"> <tr> <th></th> <th>mm</th> <th>INCH</th> </tr> <tr> <td>4 PLACES</td> <td>±---</td> <td>±---</td> </tr> <tr> <td>3 PLACES</td> <td>±---</td> <td>±---</td> </tr> <tr> <td>2 PLACES</td> <td>±---</td> <td>±---</td> </tr> <tr> <td>1 PLACE</td> <td>±---</td> <td>±---</td> </tr> </table>		mm	INCH	4 PLACES	±---	±---	3 PLACES	±---	±---	2 PLACES	±---	±---	1 PLACE	±---	±---	DIMENSION STYLE IN/MM	SCALE 3:1	DESIGN UNITS INCH	THIRD ANGLE PROJECTION
		mm	INCH																		
	4 PLACES	±---	±---																		
	3 PLACES	±---	±---																		
2 PLACES	±---	±---																			
1 PLACE	±---	±---																			
APPROVED BY WCHEN	DATE 2012/02/06	DRAWN BY YBELNKIY	DATE 2011/10/05	TITLE LC 8 PORT EMI ADAPTER SNAP MOUNT WITH SHUTTERS																	
MATERIAL NO. SEE TABLE		APPROVED BY WCHEN		MOLEX INCORPORATED																	
SIZE D		DOCUMENT NO. SD-106121-0950		SHEET NO. 1 OF 1																	

DRAFT WHERE APPLICABLE MUST REMAIN WITHIN DIMENSIONS

THIS DRAWING CONTAINS INFORMATION THAT IS PROPRIETARY TO MOLEX INCORPORATED AND SHOULD NOT BE USED WITHOUT WRITTEN PERMISSION

LC 8 PORT ADAPTER P/N	PLASTIC RECEPTACLE COLOR	DOUBLE PLASTIC SHUTTER COLOR	SPLIT SLEEVE MATERIAL
106121-0950	BLUE	BLUE	CERAMIC
106121-0951	GREEN	GREEN	
106121-0952	BEIGE	BEIGE	PHOSPHOR BRONZE
106121-0953	AQUA	AQUA	



NOTES:
1. ALL DIMENSIONS ARE FOR REFERENCE.
2. DUST CAPS SHOWN IN ISOMETRIC VIEWS ONLY.

ENTER DESCRIPTION IEC NO. MF2012-0092 DRAWN/YBELNKIY 2011/10/05 CHKD: APPR:WCHEN 2012/02/06	QUALITY SYMBOLS ▽=0 ▽=0	GENERAL TOLERANCES (UNLESS SPECIFIED) <table border="1"> <tr> <th></th> <th>mm</th> <th>INCH</th> </tr> <tr> <td>4 PLACES</td> <td>±---</td> <td>±---</td> </tr> <tr> <td>3 PLACES</td> <td>±---</td> <td>±---</td> </tr> <tr> <td>2 PLACES</td> <td>±---</td> <td>±---</td> </tr> <tr> <td>1 PLACE</td> <td>±---</td> <td>±---</td> </tr> </table>		mm	INCH	4 PLACES	±---	±---	3 PLACES	±---	±---	2 PLACES	±---	±---	1 PLACE	±---	±---	DIMENSION STYLE IN/MM	SCALE 3:1	DESIGN UNITS INCH	THIRD ANGLE PROJECTION
		mm	INCH																		
	4 PLACES	±---	±---																		
	3 PLACES	±---	±---																		
2 PLACES	±---	±---																			
1 PLACE	±---	±---																			
			DRAWN BY DATE YBELNKIY 2011/10/05	TITLE LC 8 PORT EMI ADAPTER SNAP MOUNT WITH SHUTTERS																	
			APPROVED BY DATE WCHEN 2012/02/06	MOLEX INCORPORATED																	
	DRAFT WHERE APPLICABLE MUST REMAIN WITHIN DIMENSIONS	SEE TABLE	MATERIAL NO. SD-106121-0950	DOCUMENT NO. SD-106121-0950	SHEET NO. 1 OF 1																

THIS DRAWING CONTAINS INFORMATION THAT IS PROPRIETARY TO MOLEX INCORPORATED AND SHOULD NOT BE USED WITHOUT WRITTEN PERMISSION