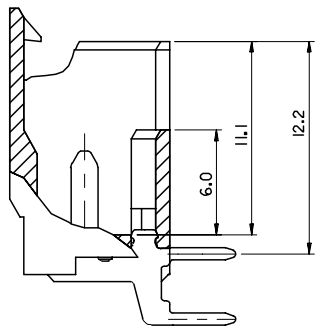
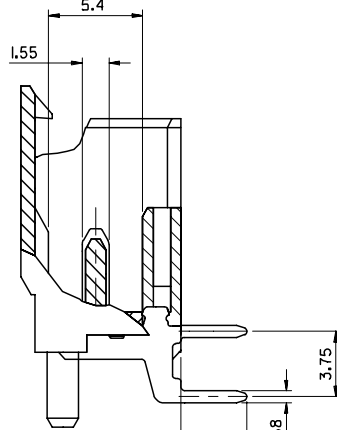


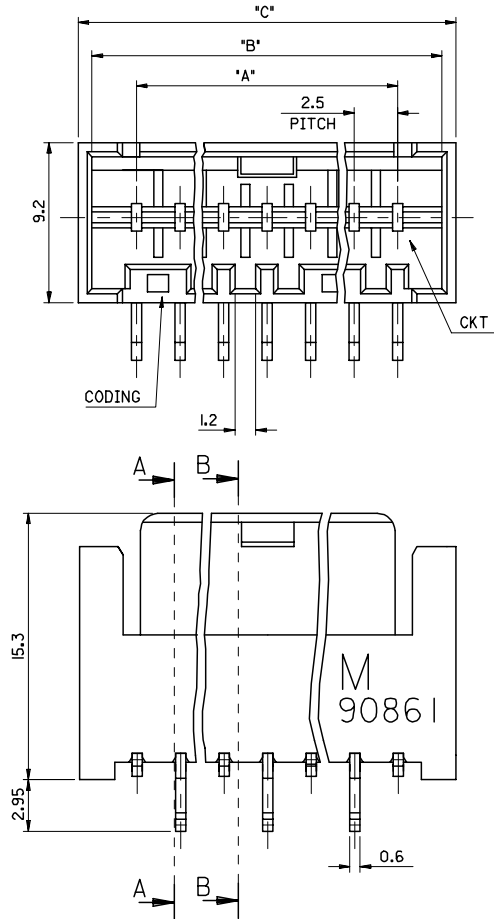
Ckt	A	B	C
3	5.0	10.1	11.7
4	7.5	12.6	14.2
5	10.0	15.1	16.7
6	12.5	17.6	19.2
7	15.0	20.1	21.7
8	17.5	22.6	24.2
9	20.0	25.1	26.7
10	22.5	27.6	29.2
11	25.0	30.1	31.7
12	27.5	32.6	34.2
13	30.0	35.1	36.7
14	32.5	37.6	39.2
15	35.0	40.1	41.7
16	37.5	42.6	44.2
17	40.0	45.1	46.7
18	42.5	47.6	49.2
19	45.0	50.1	51.7
20	47.5	52.6	54.2



A-A

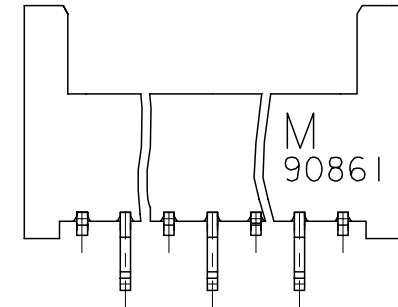


B-B

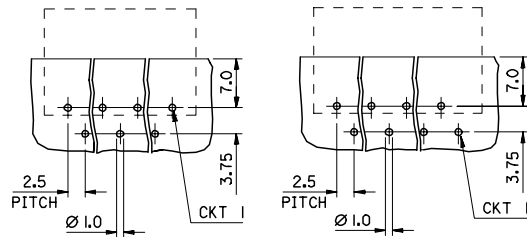


NOTES :

1. MATERIALS : HOUSING - POLYESTER (PBT), UL94 V-0
COLOR: SEE PART NUMBER CHARTS FOR COLOR
TERMINAL - BRASS
2. PLATING: TERMINAL - 5um TIN, OVER 2.5um NICKEL
3. PARTS PACKED AS PER ES-99039-0012
4. PRODUCT SPECIFICATION PS-99020-0040
5. RECOMMENDED PCB THICKNESS: 1.54MM



HOUSING WITHOUT LATCH (OPTIONAL)



ADDED NOTE 5 EC NO: E2008-0084 DRAWN BY: BRINES CHKD: 2007/08/30 APPR: ECOMONY 2007/08/31	QUALITY SYMBOLS ▽=0 ▽=0	GENERAL TOLERANCES (UNLESS SPECIFIED) <table border="1"> <thead> <tr> <th></th> <th>mm</th> <th>INCH</th> </tr> </thead> <tbody> <tr> <td>4 PLACES</td> <td>± ---</td> <td>± ---</td> </tr> <tr> <td>3 PLACES</td> <td>± ---</td> <td>± ---</td> </tr> <tr> <td>2 PLACES</td> <td>± 0.05</td> <td>± ---</td> </tr> <tr> <td>1 PLACE</td> <td>± 0.10</td> <td>± ---</td> </tr> <tr> <td colspan="3">ANGULAR ±1/2°</td> </tr> </tbody> </table>		mm	INCH	4 PLACES	± ---	± ---	3 PLACES	± ---	± ---	2 PLACES	± 0.05	± ---	1 PLACE	± 0.10	± ---	ANGULAR ±1/2°			DIMENSION STYLE MM ONLY	SCALE 5:1	DESIGN UNITS METRIC	THIRD ANGLE PROJECTION
		mm	INCH																					
	4 PLACES	± ---	± ---																					
	3 PLACES	± ---	± ---																					
2 PLACES	± 0.05	± ---																						
1 PLACE	± 0.10	± ---																						
ANGULAR ±1/2°																								
DRAWN BY: EFOLAN DATE: 1997/04/07 CHECKED BY: _____ DATE: _____	TITLE RAST 2.5 MALE HEADER RIGHT ANGLE 2.5 PITCH																							
APPROVED BY: MWILHITE DATE: 1997/04/07	MOLEX INCORPORATED																							
MATERIAL NO. _____ DOCUMENT NO. _____	SDA-90861																							
DRAFT WHERE APPLICABLE MUST REMAIN WITHIN DIMENSIONS	SEE CHART	SHEET NO. 1 OF 4																						
THIS DRAWING CONTAINS INFORMATION THAT IS PROPRIETARY TO MOLEX INCORPORATED AND SHOULD NOT BE USED WITHOUT WRITTEN PERMISSION																								

MOLEX PART NO	CIRCUIT SIZE	COLOUR	POSITION KEYS	CONFIGURATION	REF	WITH LATCH	CONTACT PITCH
90861-0001	3	NATURAL	ALL		K00	YES	2.5

MOLEX PART NO	CIRCUIT SIZE	COLOUR	POSITION KEYS	CONFIGURATION	REF	WITH LATCH	CONTACT PITCH
90861-3001	9	NATURAL	ALL		K00	YES	2.5

MOLEX PART NO	CIRCUIT SIZE	COLOUR	POSITION KEYS	CONFIGURATION	REF	WITH LATCH	CONTACT PITCH
90861-0501	4	NATURAL	ALL		K00	YES	2.5

MOLEX PART NO	CIRCUIT SIZE	COLOUR	POSITION KEYS	CONFIGURATION	REF	WITH LATCH	CONTACT PITCH
90861-3501	10	NATURAL	ALL		K00	YES	2.5

MOLEX PART NO	CIRCUIT SIZE	COLOUR	POSITION KEYS	CONFIGURATION	REF	WITH LATCH	CONTACT PITCH
90861-1001	5	NATURAL	ALL		K00	YES	2.5

MOLEX PART NO	CIRCUIT SIZE	COLOUR	POSITION KEYS	CONFIGURATION	REF	WITH LATCH	CONTACT PITCH
90861-4001	11	NATURAL	ALL		K00	YES	2.5

MOLEX PART NO	CIRCUIT SIZE	COLOUR	POSITION KEYS	CONFIGURATION	REF	WITH LATCH	CONTACT PITCH
90861-1002	5	NATURAL	c d		K00	YES	2.5

MOLEX PART NO	CIRCUIT SIZE	COLOUR	POSITION KEYS	CONFIGURATION	REF	WITH LATCH	CONTACT PITCH
90861-4501	12	NATURAL	ALL		K00	YES	2.5

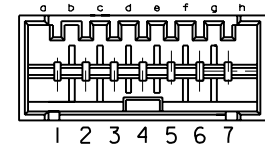
MOLEX PART NO	CIRCUIT SIZE	COLOUR	POSITION KEYS	CONFIGURATION	REF	WITH LATCH	CONTACT PITCH
90861-1501	6	NATURAL	ALL		K00	YES	2.5

MOLEX PART NO	CIRCUIT SIZE	COLOUR	POSITION KEYS	CONFIGURATION	REF	WITH LATCH	CONTACT PITCH
90861-5001	13	NATURAL	ALL		K00	YES	2.5

MOLEX PART NO	CIRCUIT SIZE	COLOUR	POSITION KEYS	CONFIGURATION	REF	WITH LATCH	CONTACT PITCH
90861-2001	7	NATURAL	ALL		K00	YES	2.5

MOLEX PART NO	CIRCUIT SIZE	COLOUR	POSITION KEYS	CONFIGURATION	REF	WITH LATCH	CONTACT PITCH
90861-5501	14	NATURAL	ALL		K00	YES	2.5

MOLEX PART NO	CIRCUIT SIZE	COLOUR	POSITION KEYS	CONFIGURATION	REF	WITH LATCH	CONTACT PITCH
90861-2501	8	NATURAL	ALL		K00	YES	2.5



CODING IDENTIFICATION
(7 CKT EXAMPLE SHOWN)
VIEW IN MATING DIRECTION

FOR PREVIOUS DRAWING ISSUES SEE MRL

REV	DATE	BY	DESCRIPTION
A		EF	SEE SHEET 1

REVISE ONLY ON CAD SYSTEM

DATE: 97/04/07

SCALE: 30P

PART NO: SDA-90861

MOLEX EUROPE

RAST 2.5 MALE HEADER RIGHT ANGLE