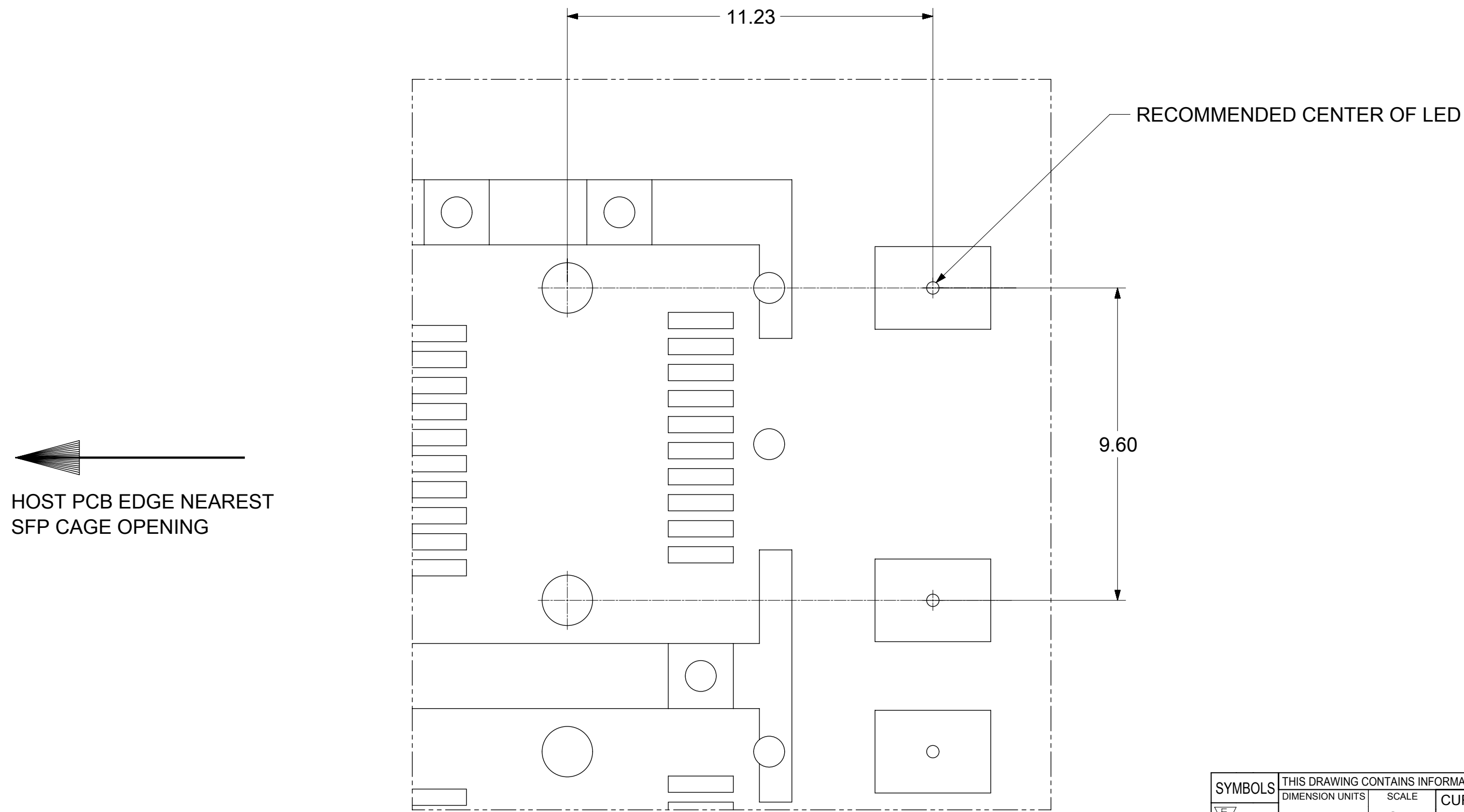
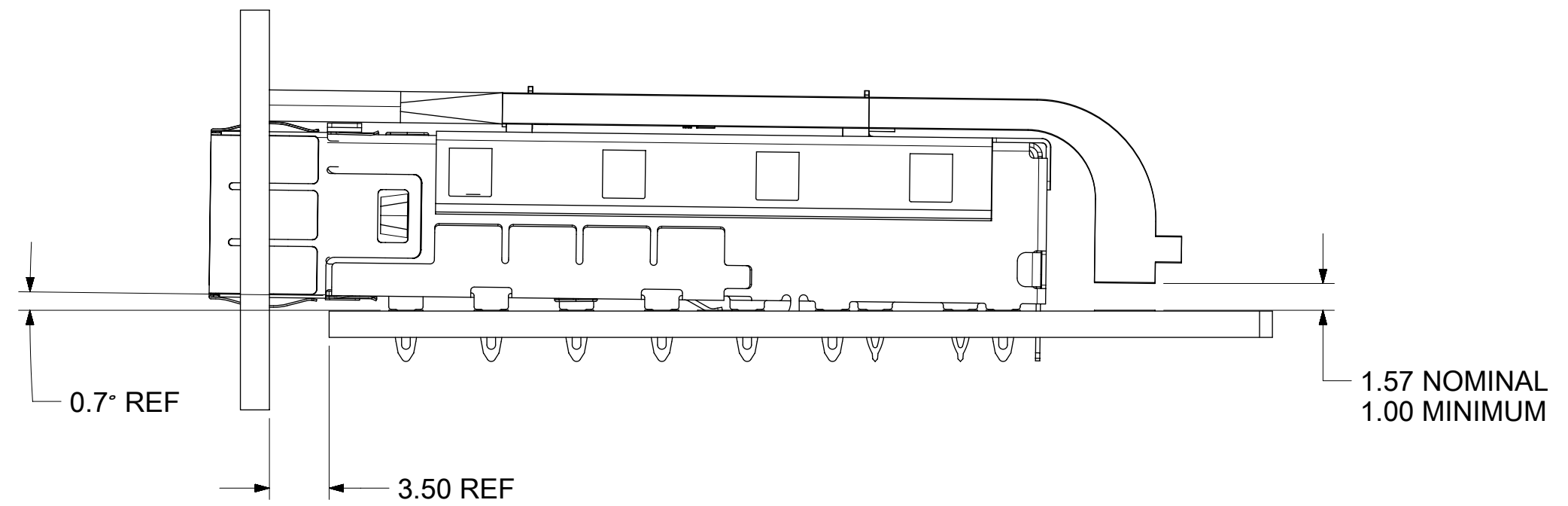
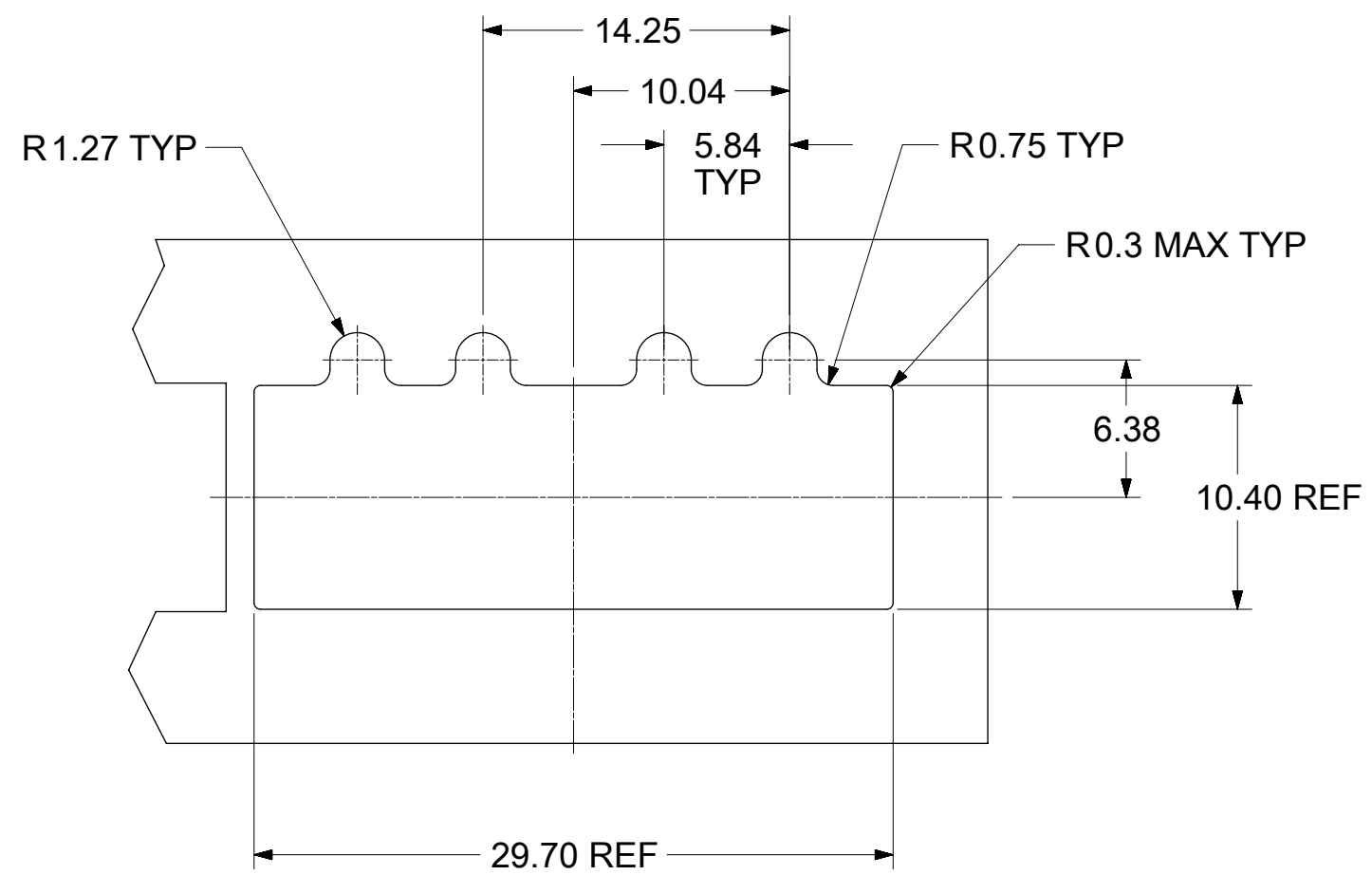


PART NO. AND WEEK/YEAR DATE CODE TO BE PRINTED ON BACK OF COVER APPROXIMATELY AS SHOWN. SEE TABLE BELOW FOR DATE CODE INFORMATION.

WEEK/YEAR DATE CODE TABLE	
WK	WEEK OF THE YEAR 01 THRU 52 (EXAMPLE: 01= FIRST WEEK OF YEAR 52= LAST WEEK OF YEAR)
YR	19, 20, 21 ETC.,,(EXAMPLE: YEAR 2019= 19)

- MATERIAL:  
COVER: COPPER ALLOY  
LIGHT PIPE: POLYCARBONATE (94-V0 RATED)
- THIS LIGHT PIPE ASSEMBLY IS TO BE USED WITH THE SFP+ 1X4 CAGE ASSEMBLY P/N 747540224
- IT IS RECOMMENDED THAT THE CAGE BE PRESSED INTO OR SOLDERED TO THE PCB PRIOR TO ASSEMBLING THE LIGHT PIPE ASSEMBLY.
- NO RoHS EXEMPTIONS


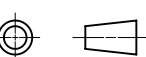
SYMBOLS		THIS DRAWING CONTAINS INFORMATION THAT IS PROPRIETARY TO MOLEX ELECTRONIC TECHNOLOGIES, LLC AND SHOULD NOT BE USED WITHOUT WRITTEN PERMISSION	
▽ = 0	DIMENSION UNITS	SCALE	CURRENT REV DESC: SEE REVISION TABLE
▽ = 0	mm	4:1	
▽ = 0	GENERAL TOLERANCES (UNLESS SPECIFIED)		
▽ = 0	ANGULAR TOL ± 1.0°		
▽ = 0	4 PLACES	±	EC NO: 610070
▽ = 0	3 PLACES	±	DRWN: PMAHADEVAPPA 2018/12/19
▽ = 0	2 PLACES	± 0.15	CHK'D: TKUMARKC 2019/01/08
▽ = 0	1 PLACE	± 0.25	APPR: RCHEN08 2019/01/09
▽ = 0	0 PLACES	±	INITIAL REVISION:
▽ = 0	DRAFT WHERE APPLICABLE MUST REMAIN WITHIN DIMENSIONS		DRWN: TMARRI 2017/03/08
▽ = 0	THIRD ANGLE PROJECTION		APPR: RCHEN08 2017/04/26
		DRAWING	SERIES
		C-SIZE	74754
DOCUMENT STATUS		DOCUMENT NUMBER	DOC TYPE   DOC PART   REVISION
P1	RELEASE DATE 2019/01/09 08:17:00	747540024	PSD ASY B1
		MATERIAL NUMBER	CUSTOMER
		747540024	
		SHEET NUMBER	
		1 OF 3	

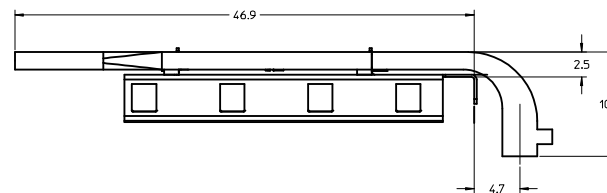
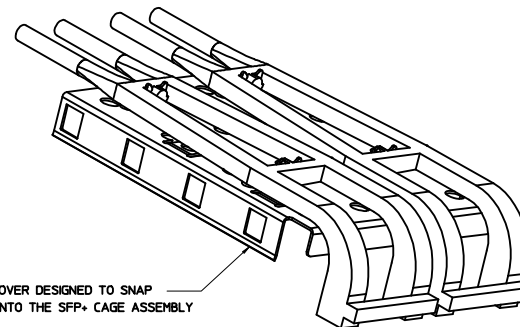
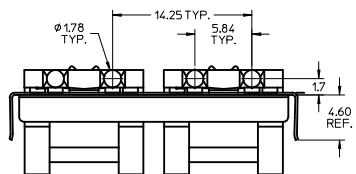
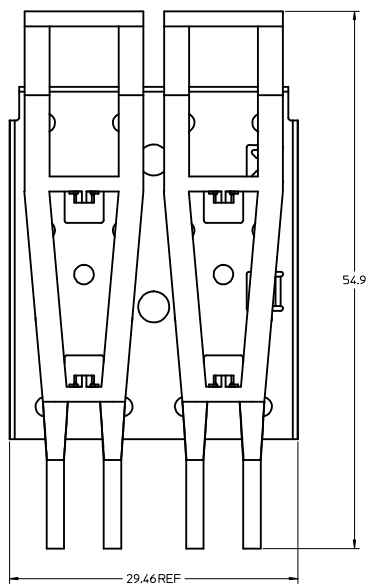


HOST PCB LAYOUT (SCALE 8:1)  
 1. LED SHOULD BE PLACED RELATIVE TO THE SFP CONNECTOR POST HOLES  
 2. LAYOUT APPLIES TO EACH PORT

THIS DRAWING CONTAINS INFORMATION THAT IS PROPRIETARY TO MOLEX ELECTRONIC TECHNOLOGIES, LLC AND SHOULD NOT BE USED WITHOUT WRITTEN PERMISSION									
SYMBOLS		DIMENSION UNITS	SCALE	CURRENT REV DESC: SEE REVISION TABLE					
▽ = 0	mm	3:1	<b>molex</b> SFP+ 1X2 PCI LIGHT PIPE COVER ASSY, ULTRA LOW PROFILE, BACK TOP PRODUCT CUSTOMER DRAWING						
▽ / = 0	GENERAL TOLERANCES (UNLESS SPECIFIED)								
▽ = 0	ANGULAR TOL ± 1.0°								
▽ = 0	4 PLACES ±								
▽ = 0	3 PLACES ±		EC NO: 610070 DRWN: PMAHADEVAPPA 2018/12/19 CHK'D: TKUMARKC 2019/01/08 APPR: RCHEN08 2019/01/09						
▽ = 0	2 PLACES ± 0.15		INITIAL REVISION: DRWN: TMARRI 2017/03/08 APPR: RCHEN08 2017/04/26						
▽ = 0	1 PLACE ± 0.25		DOCUMENT NUMBER		DOC TYPE		DOC PART		REVISION
▽ = 0	0 PLACES ±		747540024		PSD		ASY		B1
▽ = 0	DRAFT WHERE APPLICABLE MUST REMAIN WITHIN DIMENSIONS		THIRD ANGLE PROJECTION	DRAWING	SERIES	MATERIAL NUMBER	CUSTOMER	SHEET NUMBER	
▽ = 0				C-SIZE	74754	747540024		2 OF 3	

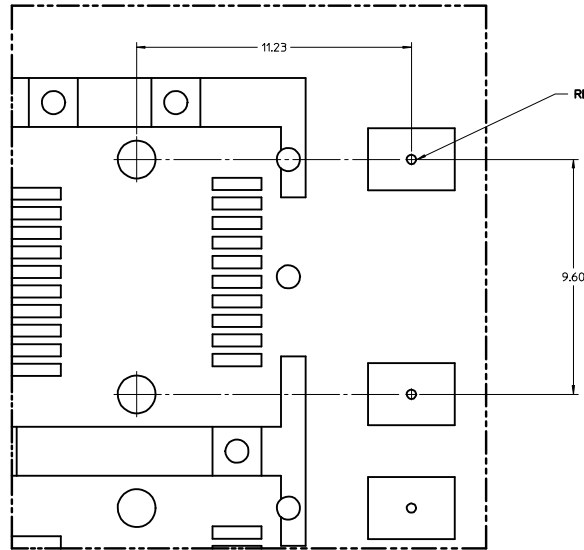
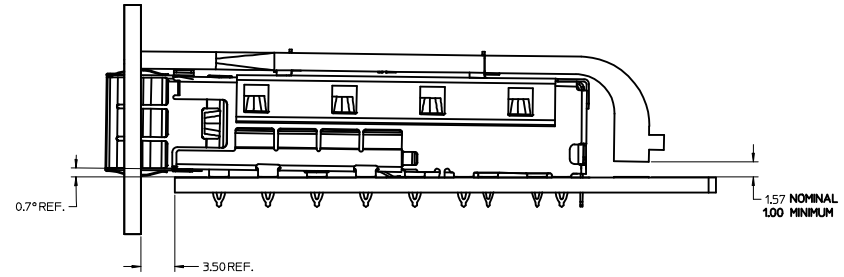
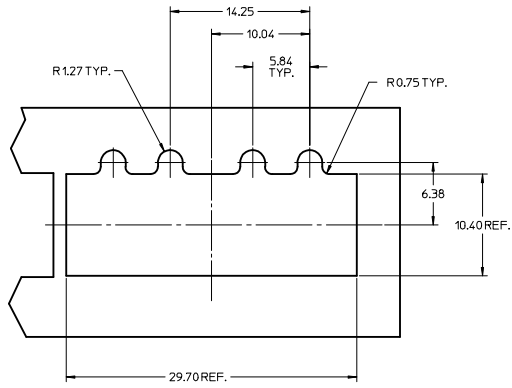
REV	DATE	DESCRIPTION
A	2009/06/19	INITIAL RELEASE
B	2017/03/20	REMASTERED FROM SD-74754-0024 REV_A TO 747540024 PSD ASY REV_B IN NX SHEET 2: H8 : ADDED DIM R0.3 MAX TYP
B1	2019/01/08	SHEET 1 : D : 2 : VIEW ADDED FOR DATE CODE REPRESENTATION.

SYMBOLS		THIS DRAWING CONTAINS INFORMATION THAT IS PROPRIETARY TO MOLEX ELECTRONIC TECHNOLOGIES, LLC AND SHOULD NOT BE USED WITHOUT WRITTEN PERMISSION									
DIMENSION UNITS		SCALE	CURRENT REV DESC: SEE REVISION TABLE								
= 0		mm	1:1	 <p>SFP+ 1X2 PCI LIGHT PIPE COVER ASSY, ULTRA LOW PROFILE, BACK TOP</p> <p>PRODUCT CUSTOMER DRAWING</p> <p>DOCUMENT NUMBER: 747540024    DOC TYPE: PSD    DOC PART: ASY    REVISION: B1</p> <p>MATERIAL NUMBER: 747540024    CUSTOMER:    SHEET NUMBER: 3 OF 3</p>							
= 0		GENERAL TOLERANCES (UNLESS SPECIFIED)									
= 0		ANGULAR TOL ± 1.0°									
= 0		4 PLACES ±	INITIAL REVISION: DRWN: TMARRI    2017/03/08 APPR: RCHEN08    2017/04/26								
= 0		3 PLACES ±									
= 0		2 PLACES ± 0.15									
= 0		1 PLACE ± 0.25									
= 0		0 PLACES ±									
= 0		DRAFT WHERE APPLICABLE MUST REMAIN WITHIN DIMENSIONS		THIRD ANGLE PROJECTION	DRAWING	SERIES					
= 0					C-SIZE	74754					



- MATERIAL:**  
COVER: COPPER ALLOY  
LIGHT PIPE: POLYCARBONATE (94-V0 RATED)
- THIS LIGHT PIPE ASSEMBLY IS TO BE USED WITH THE SFP+ 1X4 CAGE ASSEMBLY P/N 747540224
- IT IS RECOMMENDED THAT THE CAGE BE PRESSED INTO OR SOLDERED TO THE PCB PRIOR TO ASSEMBLING THE LIGHT PIPE ASSEMBLY.
- THIS PART MEETS THE RESTRICTION OF HAZARDOUS SUBSTANCES IN ELECTRICAL AND ELECTRONIC EQUIPMENT (RoHS) DIRECTIVE (2002/95/EC)

<b>RELEASED</b> IEC NO. USY2009-0596 DRAWN BY: JRESENDE 2009/08/26 CHKD: JRESENDE 2009/08/26 APPR: JRESENDE 2009/08/26 REV: DESCRIPTION	<b>QUALITY SYMBOLS</b> ▽=0 ▽=0		<b>GENERAL TOLERANCES (UNLESS SPECIFIED)</b>		<b>DIMENSION STYLE</b> MM ONLY	SCALE 4:1	DESIGN UNITS METRIC	THIRD ANGLE PROJECTION
	4 PLACES	±	mm	---	---	---	---	---
	3 PLACES	±	---	---	---	---	---	---
	2 PLACES	±	0.15	---	---	---	---	---
1 PLACE	±	0.25	---	---	---	---	---	
DRAFT WHERE APPLICABLE MUST REMAIN WITHIN DIMENSIONS			ANGULAR ± 1°		DRAWN BY: JRESENDE 2009/6/19 CHECKED BY: JRESENDE 2009/6/19 APPROVED BY: KJANOTA 2009/6/19	DATE: 2009/6/19	TITLE: SFP+ 1X2 PCI LIGHT PIPE COVER ASSY, ULTRA LOW PROFILE, BACK TOP	MOLEX INCORPORATED
MATERIAL NO. 747540024					DOCUMENT NO. SD-74754-0024		SHEET NO. 1 OF 2	



RECOMMENDED CENTER OF LED

←  
HOST PCB EDGE NEAREST  
SFP CAGE OPENING

HOST PCB LAYOUT (SCALE 10:1)  
1. LED SHOULD BE PLACED RELATIVE TO THE SFP  
CONNECTOR POST HOLES  
2. LAYOUT APPLIES TO EACH PORT

<b>RELEASED</b> IEC NO. USY2009-0596 DRAWN: JRESENDE 2009/08/26 CHYK: 2009/08/26 APPR: JRESENDE 2009/08/26 REV:	QUALITY SYMBOLS	GENERAL TOLERANCES (UNLESS SPECIFIED)	DIMENSION STYLE	SCALE	DESIGN UNITS	THIRD ANGLE PROJECTION															
	$\nabla=0$ $\nabla=0$	<table border="1"> <thead> <tr> <th></th> <th>mm</th> <th>INCH</th> </tr> </thead> <tbody> <tr> <td>4 PLACES</td> <td>±---</td> <td>±---</td> </tr> <tr> <td>3 PLACES</td> <td>±---</td> <td>±---</td> </tr> <tr> <td>2 PLACES</td> <td>±0.15</td> <td>±---</td> </tr> <tr> <td>1 PLACE</td> <td>±0.25</td> <td>±---</td> </tr> </tbody> </table>		mm	INCH	4 PLACES	±---	±---	3 PLACES	±---	±---	2 PLACES	±0.15	±---	1 PLACE	±0.25	±---	MM ONLY	3:1	METRIC	
		mm	INCH																		
	4 PLACES	±---	±---																		
3 PLACES	±---	±---																			
2 PLACES	±0.15	±---																			
1 PLACE	±0.25	±---																			
DESCRIPTION	DRAFT WHERE APPLICABLE MUST REMAIN WITHIN DIMENSIONS	<table border="1"> <thead> <tr> <th>DRAWN BY</th> <th>DATE</th> <th>TITLE</th> </tr> </thead> <tbody> <tr> <td>JRESENDE</td> <td>2009/6/19</td> <td>SFP+ 1X2 PCI LIGHT PIPE COVER ASSY, ULTRA LOW PROFILE, BACK TOP</td> </tr> <tr> <td>JRESENDE</td> <td>2009/6/19</td> <td></td> </tr> <tr> <td>KJANOTA</td> <td>2009/6/19</td> <td></td> </tr> </tbody> </table>	DRAWN BY	DATE	TITLE	JRESENDE	2009/6/19	SFP+ 1X2 PCI LIGHT PIPE COVER ASSY, ULTRA LOW PROFILE, BACK TOP	JRESENDE	2009/6/19		KJANOTA	2009/6/19		<table border="1"> <thead> <tr> <th>MATERIAL NO.</th> <th>DOCUMENT NO.</th> </tr> </thead> <tbody> <tr> <td>747540024</td> <td>SD-74754-0024</td> </tr> </tbody> </table>	MATERIAL NO.	DOCUMENT NO.	747540024	SD-74754-0024	MOLEX INCORPORATED	SHEET NO. 2 OF 2
DRAWN BY	DATE	TITLE																			
JRESENDE	2009/6/19	SFP+ 1X2 PCI LIGHT PIPE COVER ASSY, ULTRA LOW PROFILE, BACK TOP																			
JRESENDE	2009/6/19																				
KJANOTA	2009/6/19																				
MATERIAL NO.	DOCUMENT NO.																				
747540024	SD-74754-0024																				
THIS DRAWING CONTAINS INFORMATION THAT IS PROPRIETARY TO MOLEX INCORPORATED AND SHOULD NOT BE USED WITHOUT WRITTEN PERMISSION																					