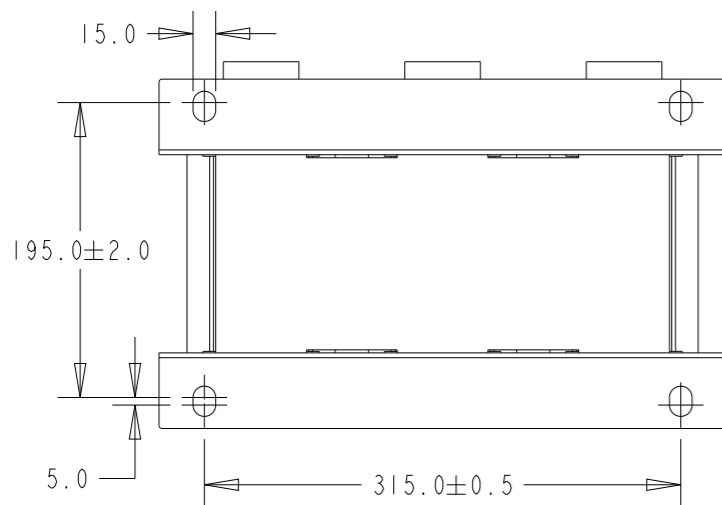
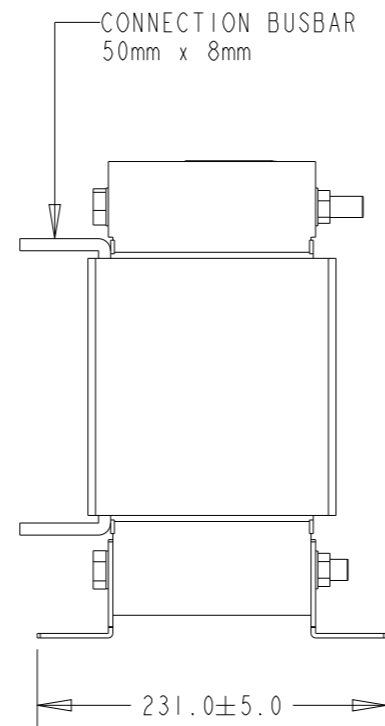
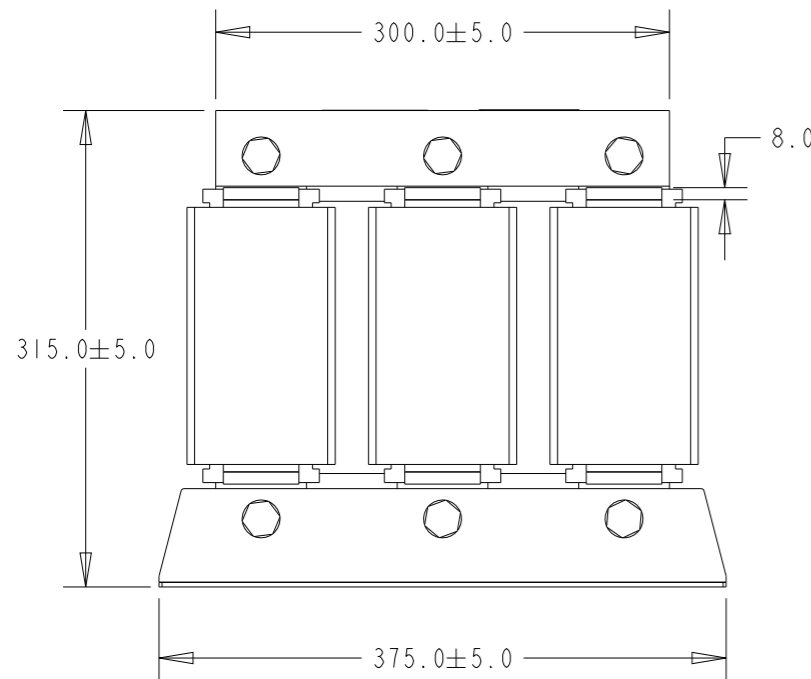
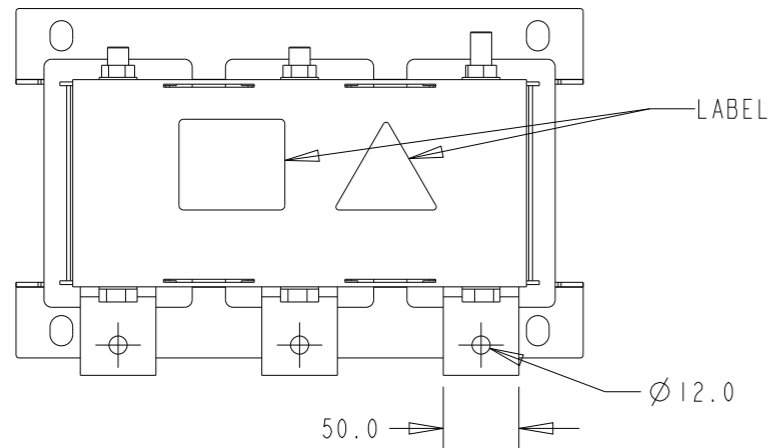
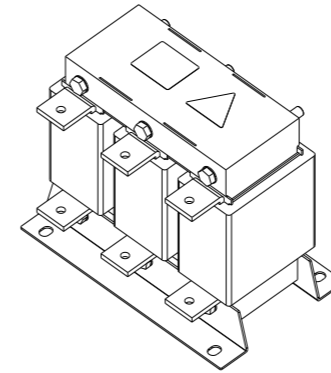


P	LTR	DESCRIPTION	DATE	DWN	APVD
	A	RELEASED FOR PRODUCTION	10FEB2023	DM	CB
	AI	ADDING PRODUCT DATA	07MAR2023	DM	CB

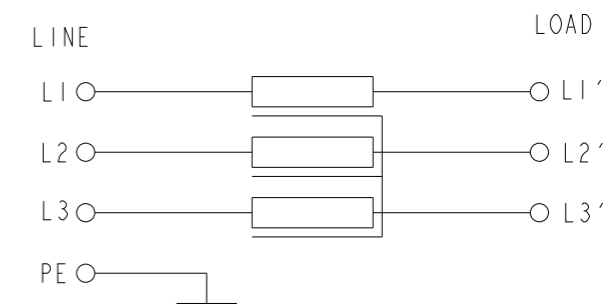


NOMINAL OPERATING VOLTAGE (VAC)	3x 380 to 480
RATED OPERATING VOLTAGE (VAC)	3x 340 to 530
FREQUENCY (Hz)	50 / 60
RATED CURRENT (AMPS)	750.00
OP. TEMP. RANGE @ RATED CURRENT	-45°C to +45°C
RATED POWER @ 400VAC (kW)	467.65
RATED POWER @ 400VAC (HP)	626.88
IMPEDANCE @ 400VAC (%)	4
INDUCTANCE, NOMINAL (mH)	0.040
POWER OVERLOAD, 1 MINUTE EVERY HOUR	1.6
VOLTAGE WITHSTAND 1 MINUTE (kVAC)	2
POLLUTION DEGREE	PD2
COOLING	NATURAL
PROTECTION CLASS	IP00
INSULATION CLASS	N
STORAGE TEMPERATURE RANGE (°C)	-45°C to +100°C
CLIMATIC CATEGORY	45/100/21
DESIGN CORRESPONDING TO	EN61558-2-20, EN60076-6, UL61800-5-1

SAFETY ORGANIZATIONS

UL RECOGNIZED AS PER UL 508 HARDWARE CERTIFICATION

TYPICAL CIRCUIT DIAGRAM



DE-RATING FORMULAE FOR OPERATION ABOVE 45°C AMBIENT CONDITIONS:

$$I = I_n \sqrt{\frac{100 - T_{a\ new}}{100 - 45}}$$

RoHS COMPLIANT

THIS DRAWING IS A CONTROLLED DOCUMENT.		DWN C. BOLLE	07OCT2022		
		CHK C. BOLLE	07OCT2022		
		APVD L. RAJ	07OCT2022	NAME RPO-3-750 THREE LINE REACTOR	
DIMENSIONS: mm		TOLERANCES UNLESS OTHERWISE SPECIFIED:		PRODUCT SPEC -	
		0 PLC	±	APPLICATION SPEC -	
		1 PLC	±0.1	WEIGHT -	
		2 PLC	±0.01	SIZE A3	
		3 PLC	±0.001	CAGE CODE 00779	
		4 PLC	±0.0001	DRAWING NO C=5-2432409-4	
		ANGLES	±	RESTRICTED TO -	
MATERIAL -		FINISH -		SCALE 1:5	
				SHEET 1 OF 1	
				REV AI	
		CUSTOMER DRAWING			