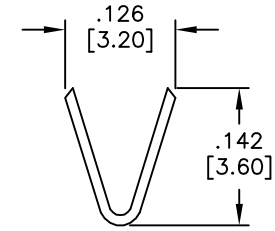
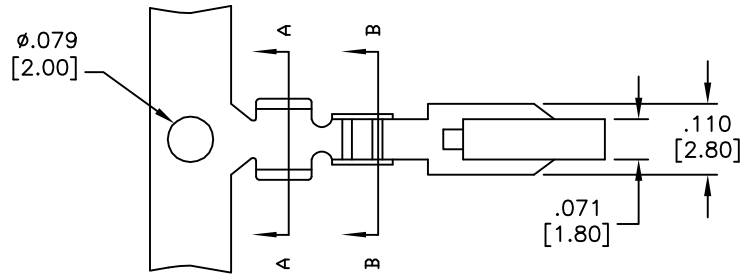
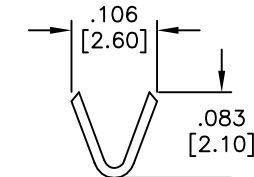
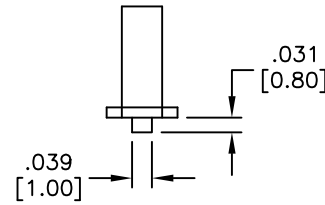
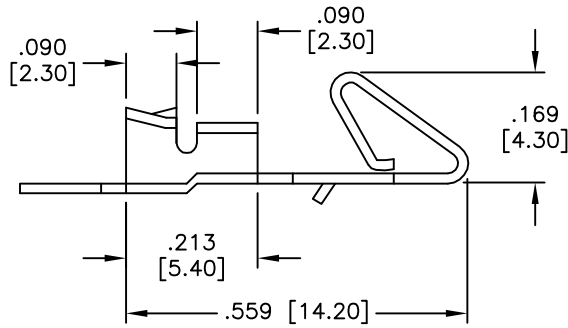


APPROVED: _____
 DATE: _____ TITLE: _____

Rev	AWO #	Description	Date	Appr
-		RELEASED	4/12/05	
A		UPDATE DRAWING	12/17/15	AY/LL
B		UPDATE DIM.	7/22/19	AY/YC



SECTION A-A



SECTION B-B

Packaging:
 B = 1,000 pieces loose cut
 R = 6,000 pieces on reel

SPECIFICATIONS:
 Material:
 Contact: Brass
 Plating:
 Tin over Copper underplate overall
 Electrical:
 Wire Range: (18-26) AWG
 Max Insulation: $\phi 0.098 [2.50\text{mm}]$
 Use with MTB-XX Housing
 Environmental:
 Lead free, RoHS compliant



UNLESS OTHERWISE SPECIFIED ALL DIMENSIONS ARE INCHES [MM] TOLERANCES: EXCEPT AS NOTED INCHES HOLES .X ± .10 Ø.X ± .10 .XX ± .020 Ø.XX ± .015 .XXX ± .015 Ø.XXX ± .010		ADAM TECH INTERCONNECTS		909 Rahway Avenue, Union, NJ 07083 Phone: 908-687-5000 Fax: 908-687-5710	
APPROVALS		DATE		TITLE	
DRAWN	SS	4/12/05		CRIMP CONTACT	
CHECKED				SIZE X	PART NO. MTB-C-X
APPROVED				REV. B	
REF: S00016T		SCALE: NTS		SHEET 1 OF 1	