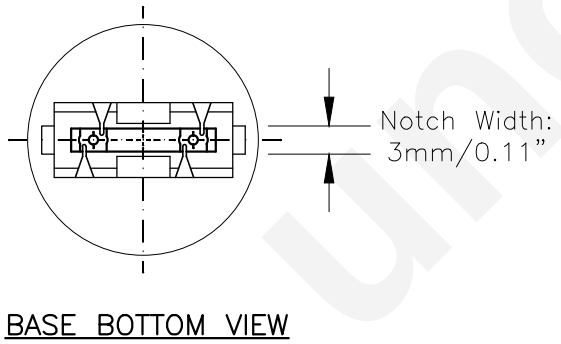
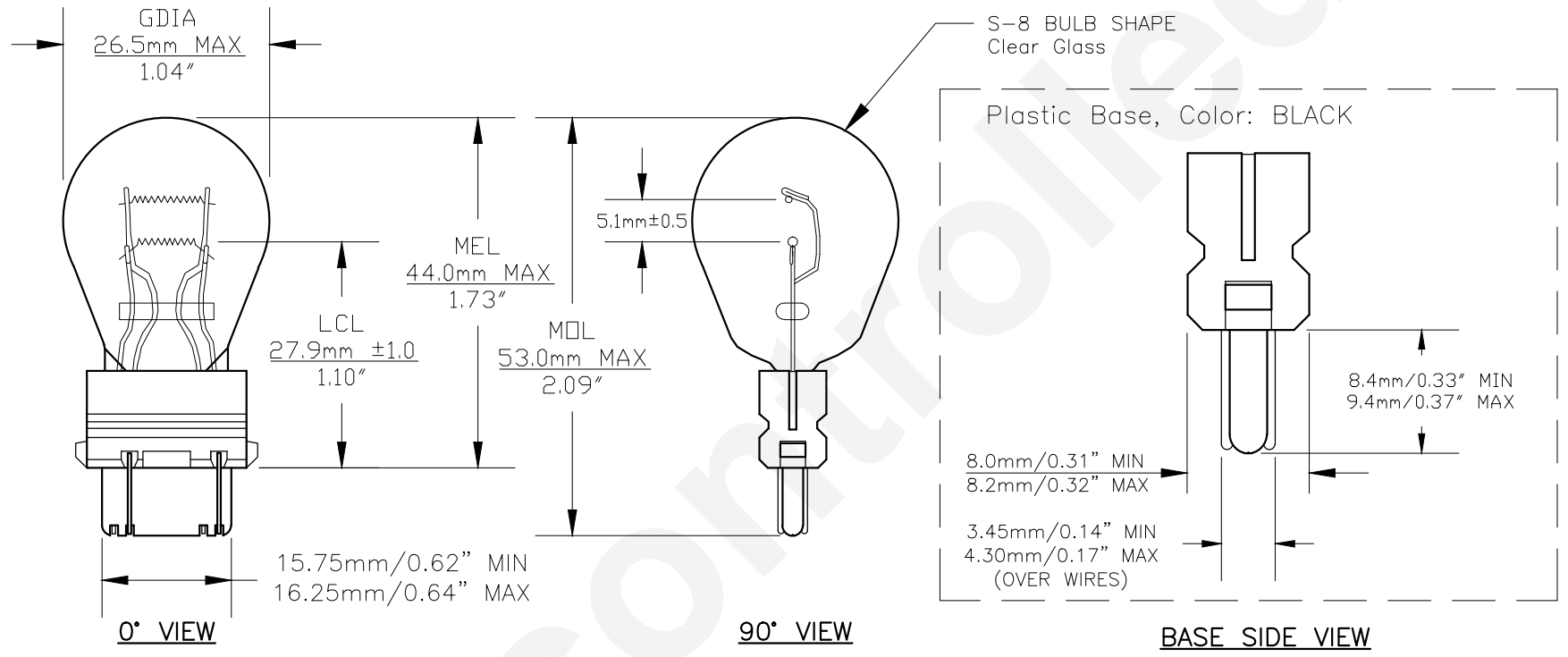




PART NO.	BASE TYPE	DESIGN VOLTS	DESIGN AMPS	MSCD	FILAMENT TYPE	AVERAGE LIFE HOURS	REVISIONS			
							REV #	DESCRIPTION	DATE	APPROVED
3057	D.F. Plastic Wedge W2.5X16q	12.8V 14.0V	2.10±5% 0.48±8%	32±10% 2 ±12%	C-6 C-6	1200 5000	1	ADDITIONAL VIEW	04/09/2007	D.C.
							2	ADDED FILAMENT DISTANCE DIMENSIONS	10/04/2018	R.M.



Note: Made according to SAE specifications



UNLESS OTHERWISE SPECIFIED: DIMENSIONS ARE IN INCHES TOLERANCES		CEC INDUSTRIES LTD			
DECIMALS	ANGULAR	599 BOND STREET		LINCOLNSHIRE, IL 60069	
.XX ± .05	± 0.5°				
.XXX ± .010					
FRACTIONAL	±1/64				
DRAWN ELIZABETH SONANES	DATE 04/12/2001	TITLE LIGHT BULB NO. 3057			
CHECKED		SIZE A	FSCM NO.	DWG NO. 3057	REV 2
DESIGN		SCALE	PLOT SCALE	SHEET 1 OF 1	
MATERIAL		FILE 3057.pdf	DRAWING NOT TO SCALE		