

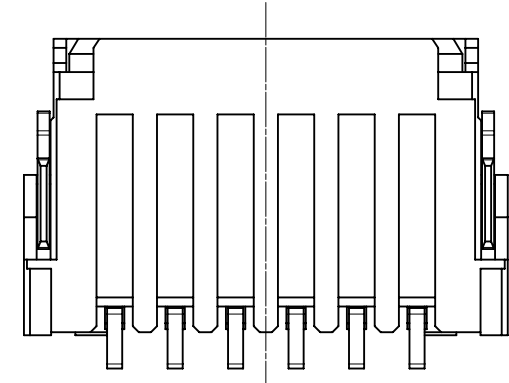
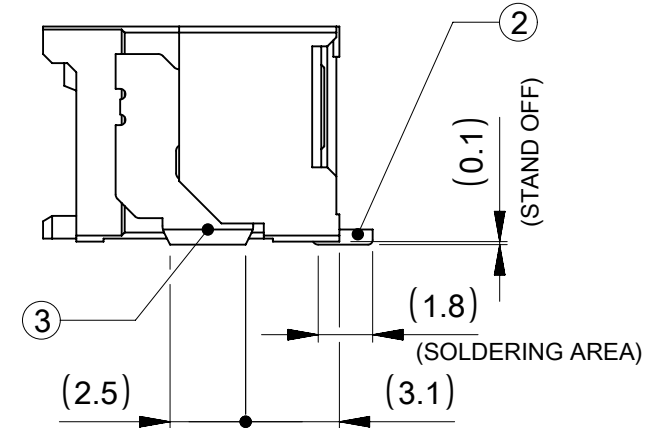
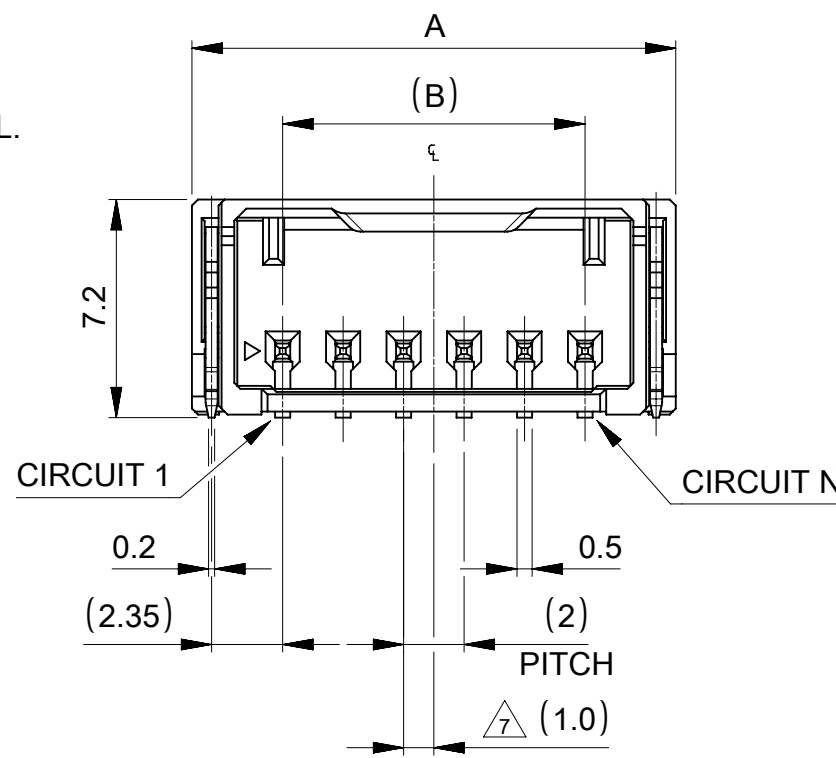
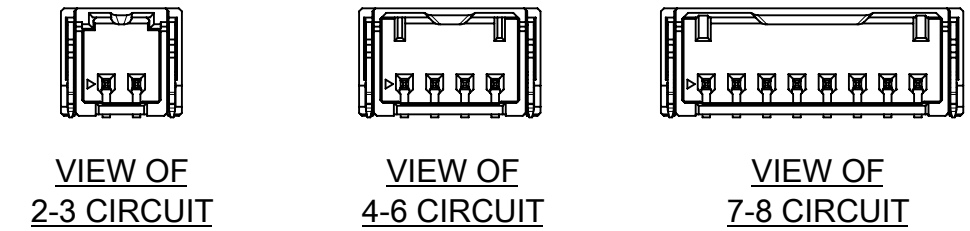
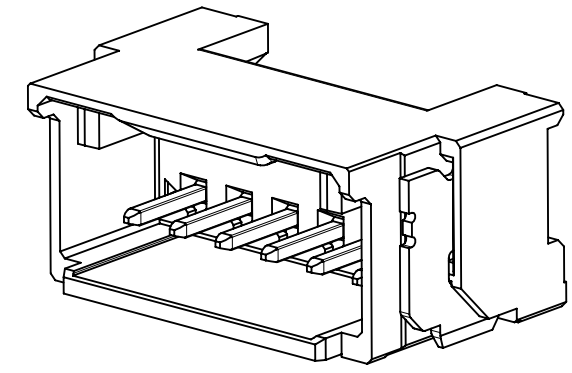
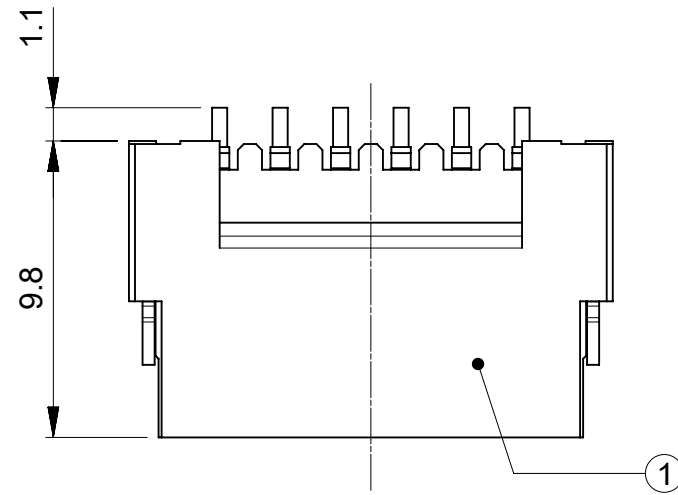
NOTES

- ① 材料及び仕上げ(めっき仕様) : TABLE 1 参照
MATERIAL AND FINISHES : SEE TABLE 1
- 2. 製品仕様書 : 2059790000-PS 000
PRODUCT SPECIFICATION:2059790000-PS 000
- 3. 梱包形態 : SHEET 4 参照
PACKAGING INFORMATION : SEE SHEET 4
- ④ 嵌合相手 : 205979(ISLタイプ),212724(TPAタイプ) シリーズ
MATES WITH:205979(ISL TYPE),212724(TPA TYPE) SERIES
- 5. アプリケーション仕様書(コネクタ取扱い説明書) :
2059790000-AS 000
APPLICATION SPECIFICATION(CONNECTOR MANUAL) :
2059790000-AS 000
- 6. 端子テール部及びネイルの平坦度:0.1mm 以下.
TAIL AND NAIL COPLANARITY TO BE 0.1mm MAX
- ⑦ 極数/2 = 偶数に適合
APPLY FOR CIRCUIT SIZE / 2 =EVEN
- 8. 端子テール部及びネイルに錫ビスマスめっきを使用している為、
外観に摺動痕が付く場合があります。
THE WOUND OF FRICTION MIGHT ADHERE TO EXTERNALS
BECAUSE THE TIN BISMUTH PLATING IS USED FOR THE TAIL AND NAIL.
- 9. 本製品のプラスチック部に黒点・白点等が確認される場合や
色合いが異なる場合がありますが、製品性能に影響はありません。
THERE IS NO INFLUENCE IN THE PRODUCT
PERFORMANCE THOUGH THE BLACK AND WHITE SPOT ETC.
MIGHT BE CONFIRMED TO THE PLASTIC PART OF
THIS PRODUCT AND THE SHADE MIGHT BE DIFFERENT.
- ⑩ ISLタイプを嵌合する場合、ヘッダーコネクタは基板端面から
1.0mm以下の位置に実装すること。
WHEN MATING THE ISL TYPE, HEADER CONNECTOR OUTLINE
MUST BE MOUNTED 1.0mm MAX FROM THE PCB EDGE.

① TABLE 1

番号 No.	部品 PART	材質 MATERIAL
①	ハウジング HOUSING	ポリアミド(PA),UL94V-0, 色 : SEE CHART POLYAMIDE(PA), UL94V-0, COLOR : SEE CHART
②	ターミナル TERMINAL	黄銅 BRASS
		錫ビスマスめっき : 1.0micro-meter MIN TIN BISMUTH PLATING(TAIL AREA,CONTACT AREA) ニッケルめっき(下地):1.0 micro-meter MIN NICKEL(UNDER PLATING)
③	ネイル NAIL	黄銅 BRASS
		錫めっき : 1.0micro-meter MIN MATTE TIN PLATING ニッケルめっき(下地):1.0 micro-meter MIN NICKEL(UNDER PLATING)

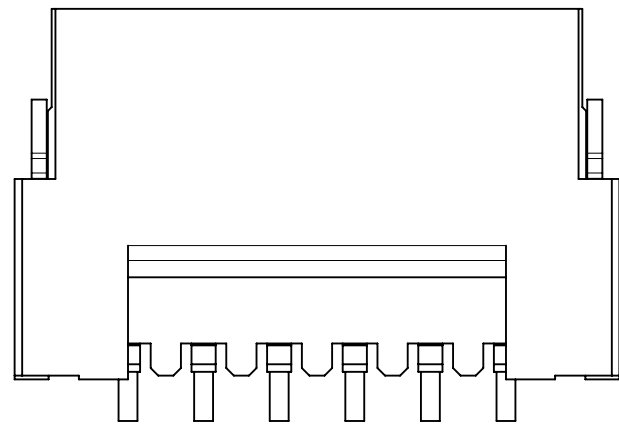
DOCUMENT STATUS | P1 | RELEASE DATE | 2022/07/06 06:59:18



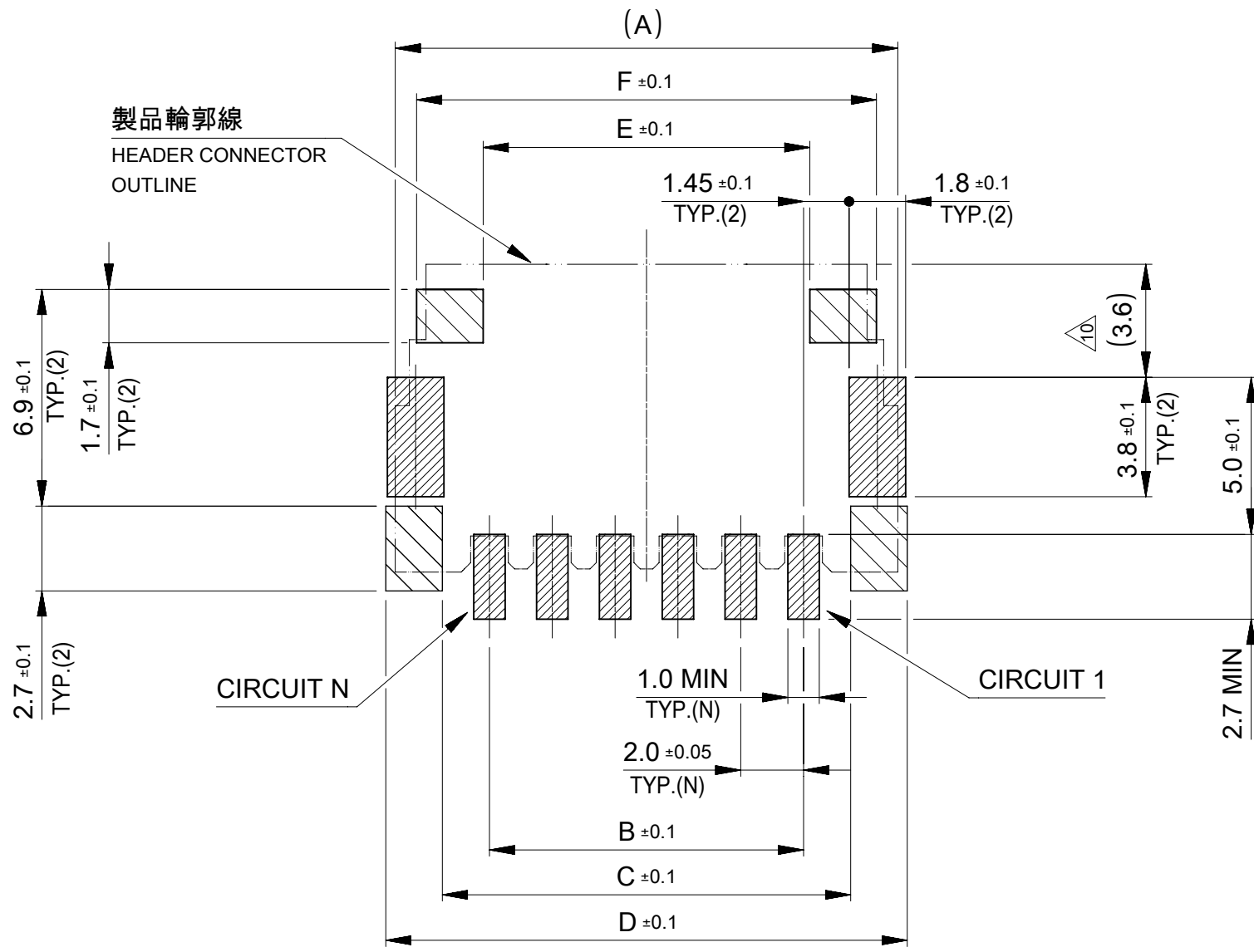
14	20	8
12	18	7
10	16	6
8	14	5
6	12	4
4	10	3
2	8	2
B	A	極数 CIRCUIT SIZE

THIS DRAWING CONTAINS INFORMATION THAT IS PROPRIETARY TO MOLEX ELECTRONIC TECHNOLOGIES, LLC AND SHOULD NOT BE USED WITHOUT WRITTEN PERMISSION

DIMENSION UNITS mm	SCALE NTS	CURRENT REV DESC:		molex		
GENERAL TOLERANCES (UNLESS SPECIFIED)		EC NO: 713005				
ANGULAR TOL ± 3.0 °		4 PLACES ± 0.2		PRODUCT CUSTOMER DRAWING		
3 PLACES ± 0.2		DRWN: KYAMADA02 2022/07/05		DOCUMENT NUMBER		
2 PLACES ± 0.2		CHK'D: AIDA 2022/07/06		DOC TYPE DOC PART REVISION		
1 PLACE ± 0.2		APPR: SAKIYAMA 2022/07/06		2059720000-SD PSD 000 D		
0 PLACES ± 0.2		INITIAL REVISION:		MATERIAL NUMBER		
DRAFT WHERE APPLICABLE MUST REMAIN WITHIN DIMENSIONS		DRWN: TGREGORI 2018/02/16		CUSTOMER		
THIRD ANGLE PROJECTION		APPR: SAKIYAMA 2020/07/10		GENERAL		
DRAWING		SERIES		SHEET NUMBER		
A3-SIZE		205972		1 OF 5		

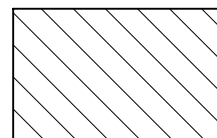


製品レイアウト
PRODUCT LAYOUT

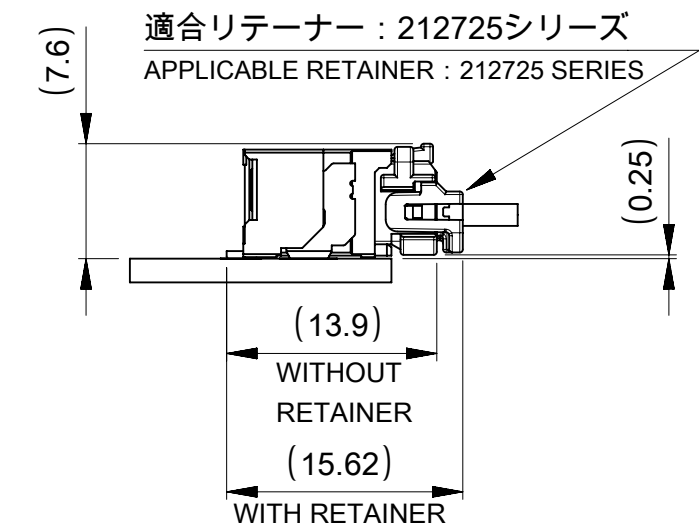
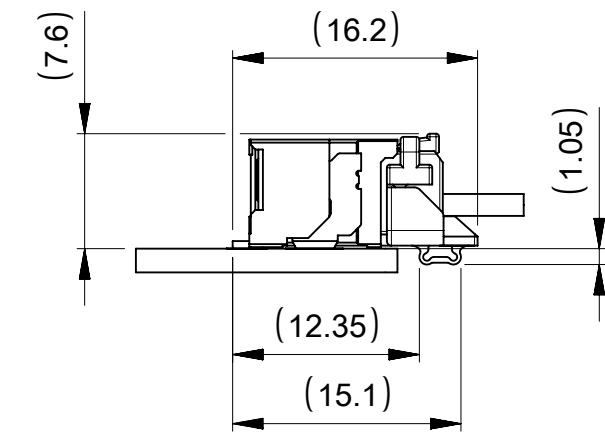
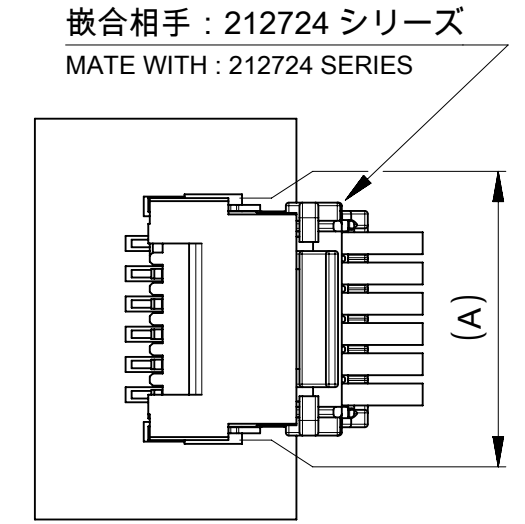
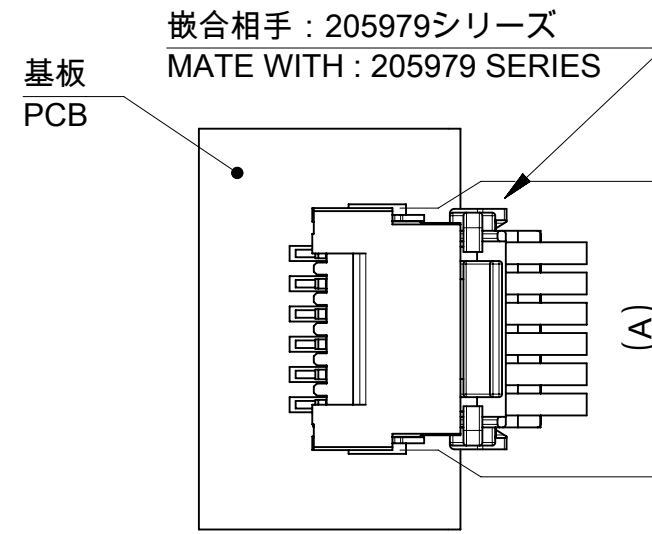


推奨基板レイアウト:実装面側

(参考: 基板厚1.6mm, メタルマスク厚0.15mm, マスク開口率100%)
SUGGESTED PCB LAYOUT : COMPONENT SIDE
(REFERENCE: PCB THICKNESS 1.6mm, STENCIL THICKNESS 0.15mm, APERTURE RATIO 100%)

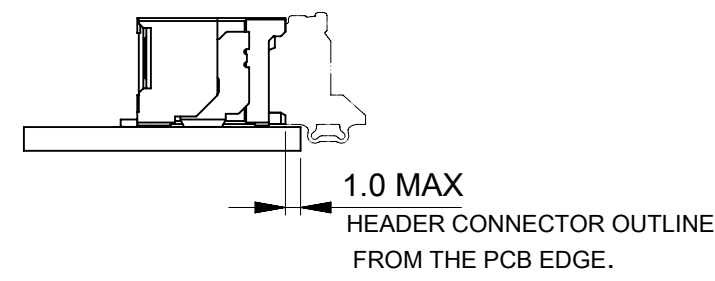


:パターン禁止エリア
RESTRICTED AREA
NO PCB COMPONENTS ALLOWED



△ ISLタイプ嵌合図
MATED CONNECTOR OF ISL TYPE

△ TPAタイプ嵌合図
MATED CONNECTOR OF TPA TYPE



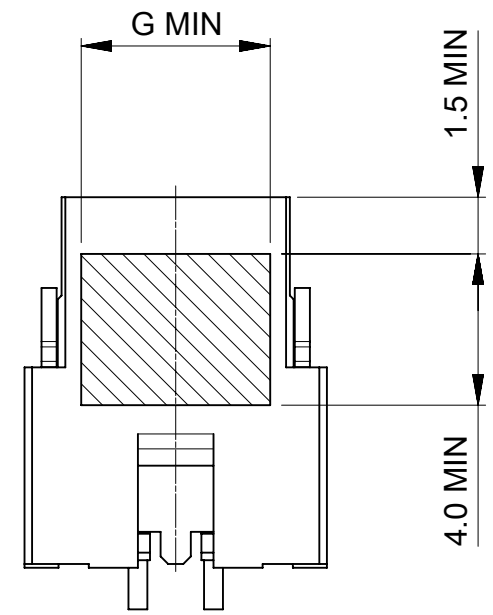
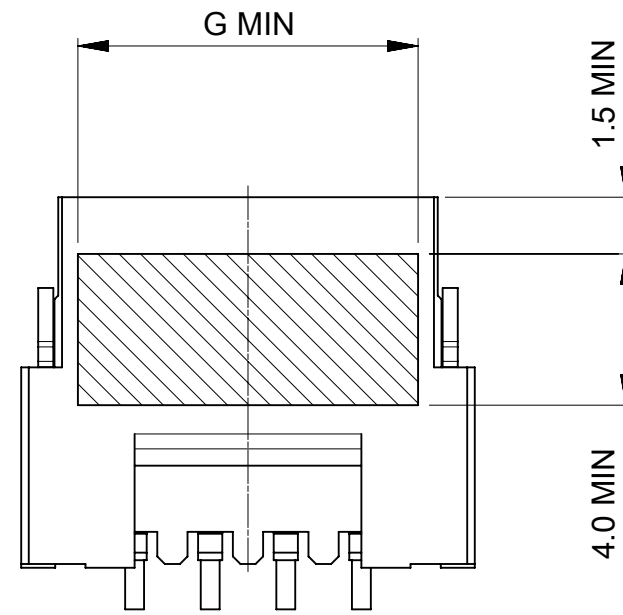
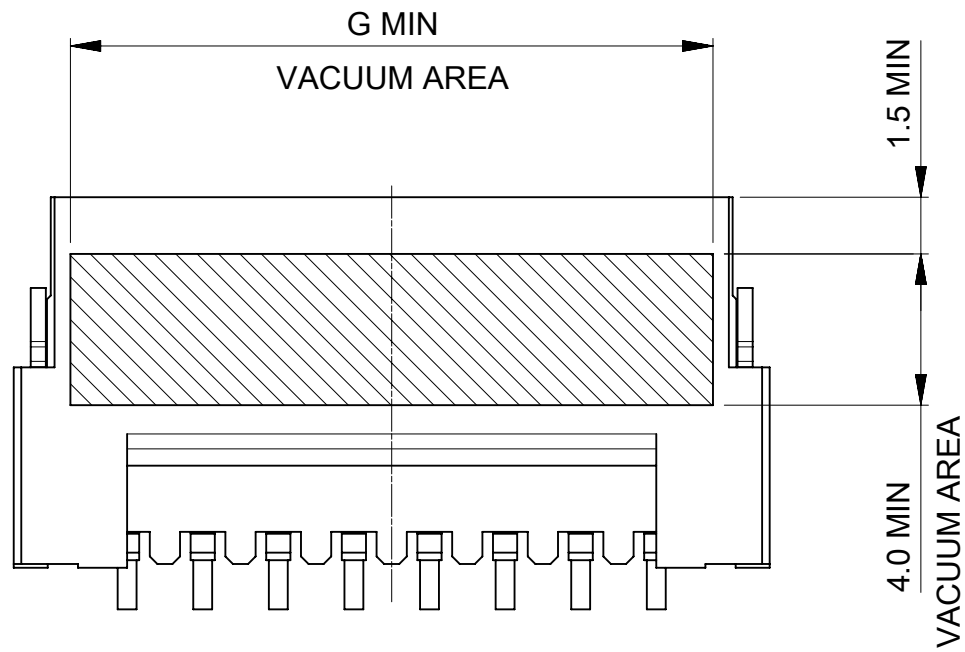
△ ISLタイプ基板レイアウトの注意点
PCB LAYOUT PRECAUTIONS FOR ISL TYPE

18.6	14.4	20.6	17.0	8
16.6	12.4	18.6	15.0	7
14.6	10.4	16.6	13.0	6
12.6	8.4	14.6	11.0	5
10.6	6.4	12.6	9.0	4
8.6	4.4	10.6	7.0	3
6.6	2.4	8.6	5.0	2
F	E	D	C	極数 CIRCUIT SIZE

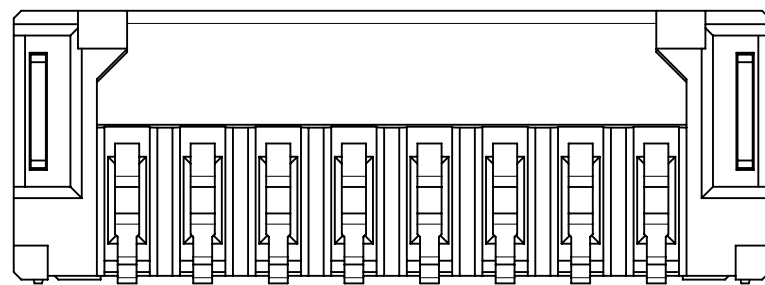
THIS DRAWING CONTAINS INFORMATION THAT IS PROPRIETARY TO MOLEX ELECTRONIC TECHNOLOGIES, LLC AND SHOULD NOT BE USED WITHOUT WRITTEN PERMISSION

DIMENSION UNITS	SCALE	CURRENT REV DESC.	molex		
mm	NTS				
GENERAL TOLERANCES (UNLESS SPECIFIED)			MICRO-ONE 2.0W/B HEADER ASSEMBLY RIGHT ANGLE		
ANGULAR TOL ± 3.0 °			PRODUCT CUSTOMER DRAWING		
4 PLACES	± 0.2	EC NO: 713005	DOCUMENT NUMBER		
3 PLACES	± 0.2	DRWN: KYAMADA02	DOC TYPE		
2 PLACES	± 0.2	CHK'D: AIDA	DOC PART		
1 PLACE	± 0.2	APPR: SAKIYAMA	REVISION		
0 PLACES	± 0.2	INITIAL REVISION:	2059720000-SD		
DRAFT WHERE APPLICABLE MUST REMAIN WITHIN DIMENSIONS			2018/02/16	PSD	000
THIRD ANGLE PROJECTION			2020/07/10	GENERAL	D
DRAWING			SERIES	CUSTOMER	SHEET NUMBER
A3-SIZE			205972	GENERAL	2 OF 5

VACUUM AREA



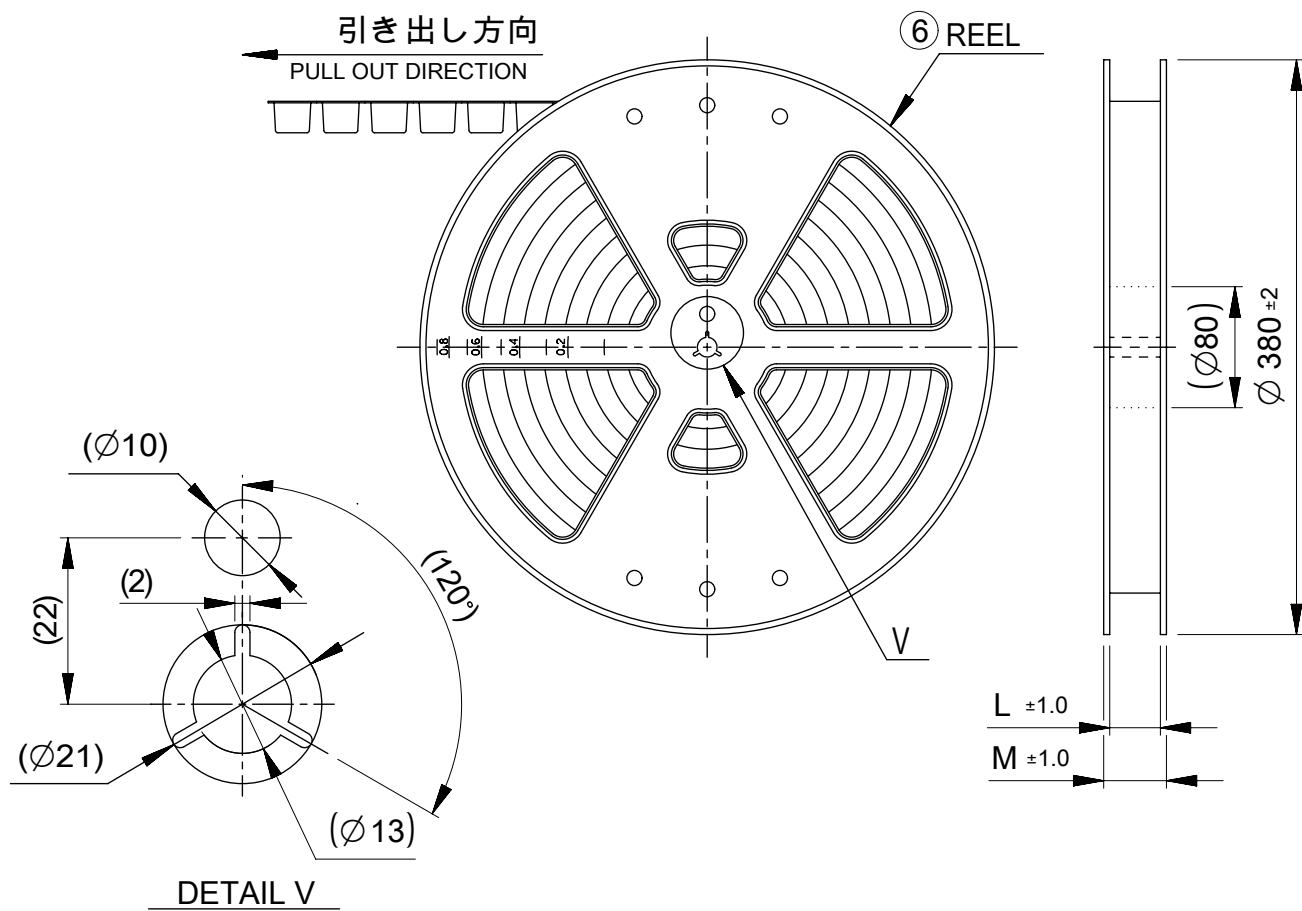
吸着面
VACUUM AREA



17.0	8
15.0	7
13.0	6
11.0	5
9.0	4
7.0	3
5.0	2
G	極数 CURCUIT SIZE

THIS DRAWING CONTAINS INFORMATION THAT IS PROPRIETARY TO MOLEX ELECTRONIC TECHNOLOGIES, LLC AND SHOULD NOT BE USED WITHOUT WRITTEN PERMISSION

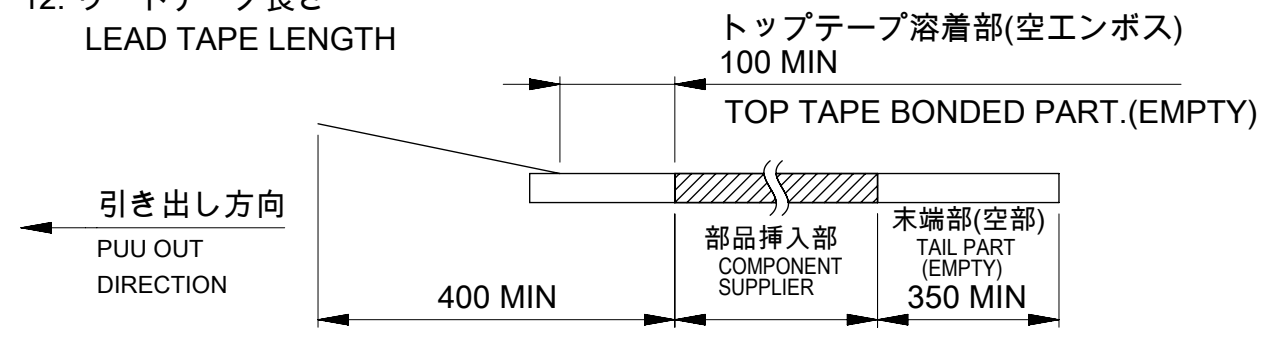
DIMENSION UNITS mm	SCALE NTS	CURRENT REV DESC:		molex		
GENERAL TOLERANCES (UNLESS SPECIFIED)		EC NO: 713005				
ANGULAR TOL ± 3.0 °		4 PLACES ± 0.2	DRWN: KYAMADA02	2022/07/05	PRODUCT CUSTOMER DRAWING	
3 PLACES ± 0.2		3 PLACES ± 0.2	CHK'D: AIDA	2022/07/06	DOCUMENT NUMBER	
2 PLACES ± 0.2		2 PLACES ± 0.2	APPR: SAKIYAMA	2022/07/06	2059720000-SD	
1 PLACE ± 0.2		1 PLACE ± 0.2	INITIAL REVISION:		DOC TYPE	DOC PART
0 PLACES ± 0.2		0 PLACES ± 0.2	DRWN: TGREGORI	2018/02/16	PSD	000
			APPR: SAKIYAMA	2020/07/10	REVISION	D
DRAFT WHERE APPLICABLE MUST REMAIN WITHIN DIMENSIONS	THIRD ANGLE PROJECTION	DRAWING	SERIES	MATERIAL NUMBER	CUSTOMER	SHEET NUMBER
		A3-SIZE	205972	SEE TABLE	GENERAL	3 OF 5



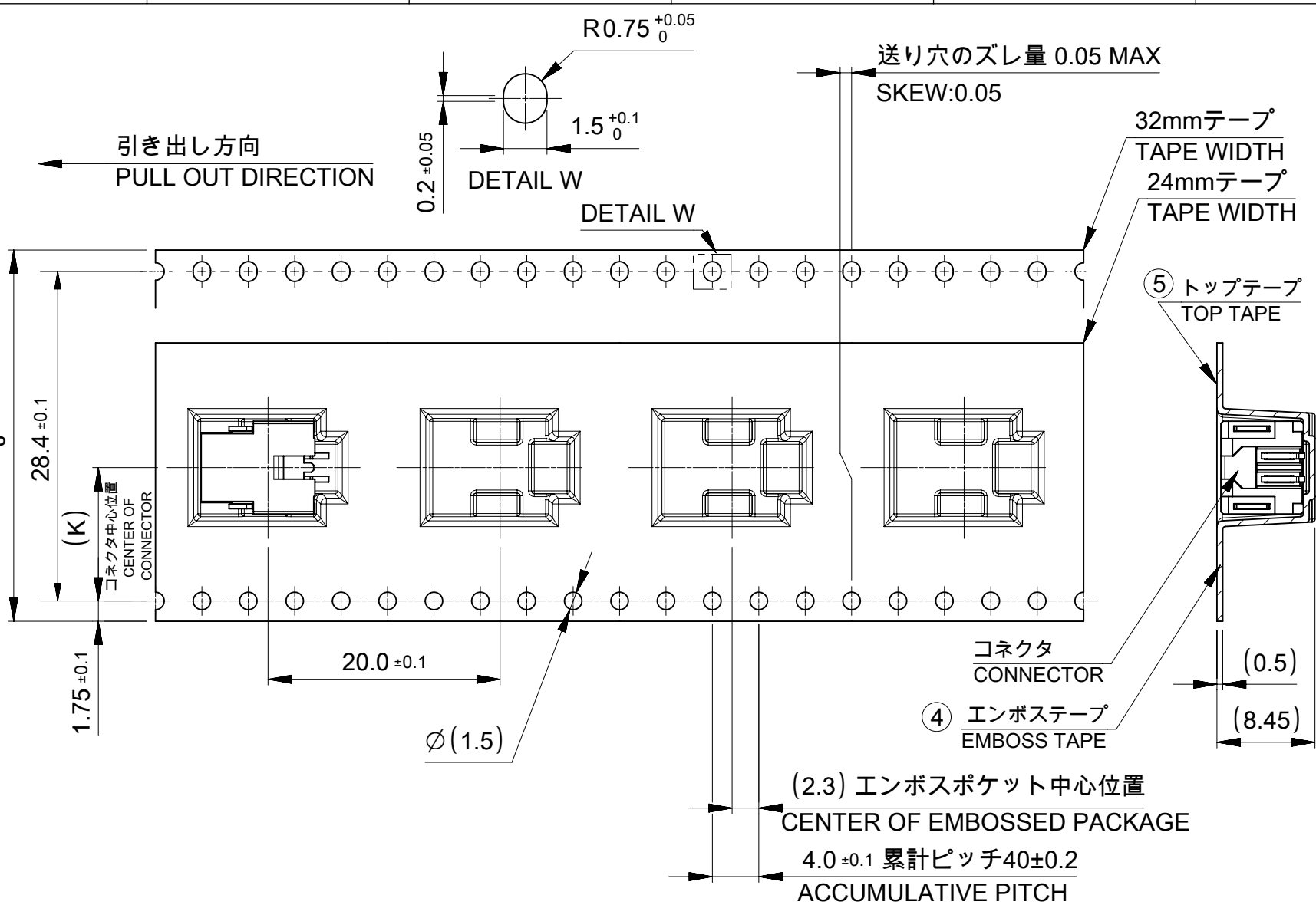
NOTES

11. 梱包数量 : 550個/リール
NUMBER OF CONNECTORS : 550 PIECES/REEL

12. リードテープ長さ
LEAD TAPE LENGTH



13. トップテープの剥離強度はIEC60286-3に準拠。
TOP TAPE PEELING FORCE IS DEFINED BY IEC60286-3.



14. 発注番号 : SHEET 5 参照
ORDER No. : PLEASE REFER TO SHEET 5 FOR PRODUCT LIST.

205972 0 * * *

極数
CIRCUIT SIZE

0 : COLOR NATURAL(BEIGE)
1 : COLOR BLACK

37.5	33.5	14.2	32±0.3	8
				7
				6
29.5	25.5	11.5	24 ^{+0.3} _{-0.1}	5
				4
				3
				2
M	L	K	エンボステープ幅 J WIDTH OF TAPE	極数 CIRCUIT SIZE

番号 No.	部品 PART	材質 MATERIAL
④	エンボステープ EMBOSS TAPE	ポリスチレン(PS),その他 POLYSTYRENE(PS),etc
⑤	トップテープ TOP TAPE	ポリエチレン(PE),その他 POLYETHYLENE(PE),etc
⑥	リール REEL	ポリスチレン(PS) <リサイクル材を含む> POLYSTYRENE(PS) <RECYCLE MATERIAL CONTAINED >

DOCUMENT STATUS	P1	RELEASE DATE	2022/07/06	06:59:18
-----------------	----	--------------	------------	----------

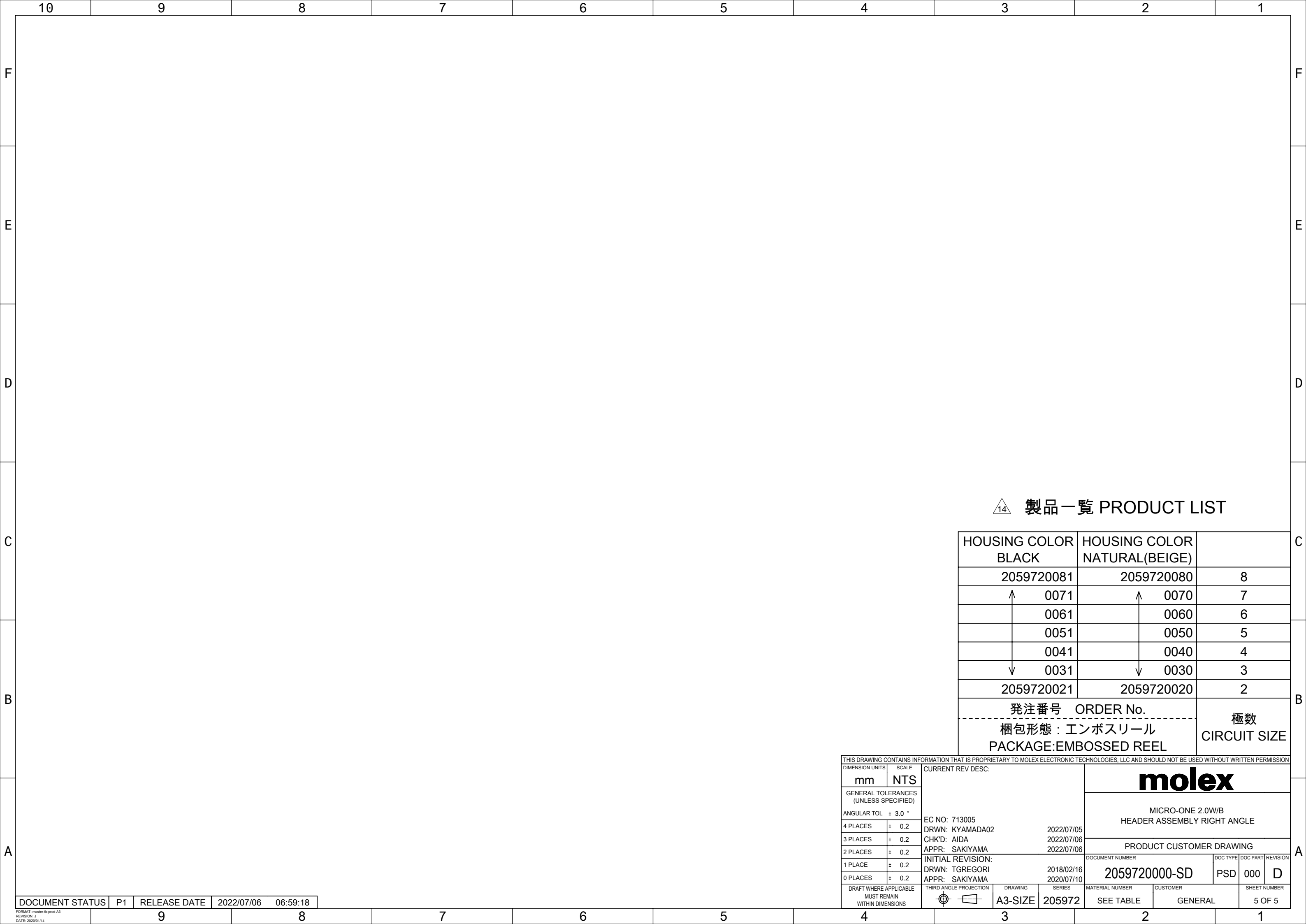
THIS DRAWING CONTAINS INFORMATION THAT IS PROPRIETARY TO MOLEX ELECTRONIC TECHNOLOGIES, LLC AND SHOULD NOT BE USED WITHOUT WRITTEN PERMISSION

DIMENSION UNITS mm	SCALE NTS	CURRENT REV DESC:	
GENERAL TOLERANCES (UNLESS SPECIFIED)		molex	
ANGULAR TOL ± 3.0 °	4 PLACES ± 0.2	MICRO-ONE 2.0W/B HEADER ASSEMBLY RIGHT ANGLE	
3 PLACES ± 0.2	2 PLACES ± 0.2	PRODUCT CUSTOMER DRAWING	
1 PLACE ± 0.2	0 PLACES ± 0.2	DOCUMENT NUMBER 2059720000-SD	
DRAFT WHERE APPLICABLE MUST REMAIN WITHIN DIMENSIONS	THIRD ANGLE PROJECTION	DRAWING A3-SIZE	SERIES 205972

EC NO: 713005
DRWN: KYAMADA02 2022/07/05
CHK'D: AIDA 2022/07/06
APPR: SAKIYAMA 2022/07/06
INITIAL REVISION:
DRWN: TGREGORI 2018/02/16
APPR: SAKIYAMA 2020/07/10

DOC TYPE DOC PART REVISION
PSD 000 D

SHEET NUMBER
4 OF 5



△14 製品一覧 PRODUCT LIST

HOUSING COLOR BLACK	HOUSING COLOR NATURAL(BEIGE)	
2059720081	2059720080	8
↑ 0071	↑ 0070	7
0061	0060	6
0051	0050	5
0041	0040	4
↓ 0031	↓ 0030	3
2059720021	2059720020	2
発注番号 ORDER No.		極数 CIRCUIT SIZE
梱包形態：エンボスリール PACKAGE:EMBOSSED REEL		

THIS DRAWING CONTAINS INFORMATION THAT IS PROPRIETARY TO MOLEX ELECTRONIC TECHNOLOGIES, LLC AND SHOULD NOT BE USED WITHOUT WRITTEN PERMISSION											
DIMENSION UNITS	SCALE	CURRENT REV DESC:					molex				
mm	NTS										
GENERAL TOLERANCES (UNLESS SPECIFIED)		EC NO: 713005 DRWN: KYAMADA02 2022/07/05 CHK'D: AIDA 2022/07/06 APPR: SAKIYAMA 2022/07/06 INITIAL REVISION: DRWN: TGGREGORI 2018/02/16 APPR: SAKIYAMA 2020/07/10					MICRO-ONE 2.0W/B HEADER ASSEMBLY RIGHT ANGLE				
ANGULAR TOL ± 3.0 °							PRODUCT CUSTOMER DRAWING				
4 PLACES ± 0.2							DOCUMENT NUMBER		DOC TYPE	DOC PART	REVISION
3 PLACES ± 0.2							2059720000-SD		PSD	000	D
2 PLACES ± 0.2											
1 PLACE ± 0.2											
0 PLACES ± 0.2											
DRAFT WHERE APPLICABLE MUST REMAIN WITHIN DIMENSIONS	THIRD ANGLE PROJECTION 	DRAWING A3-SIZE	SERIES 205972	MATERIAL NUMBER SEE TABLE	CUSTOMER GENERAL	SHEET NUMBER 5 OF 5					

DOCUMENT STATUS	P1	RELEASE DATE	2022/07/06	06:59:18
-----------------	----	--------------	------------	----------