

NO-SLIP FOOT

Soft PVC.

SAFETY LOCKING DEVICE (RED COLOUR)

Polyamide based (PA) technopolymer.

STANDARD EXECUTIONS

Assembly by means of M4 screws and nuts.

- **RHGZ-000**: simple foot.
- **RHGZ-068**: extensible foot.

Colour index:

- **44**: enamelled zinc die-cast, black colour, satin finish.
- **52**: zinc die-cast, RAL 7035 grey colour.

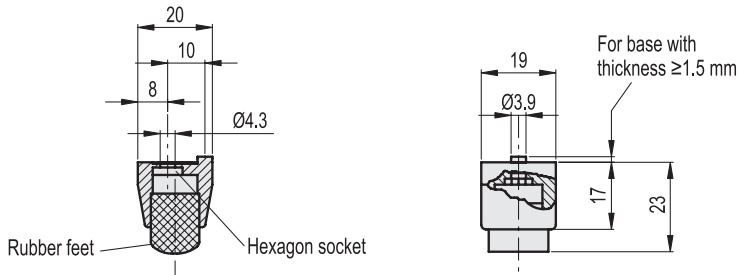
FEATURES AND APPLICATIONS

PVC soft no-slip feet ensure stability to the supported device even on slipping floors both in retracted and extended position.

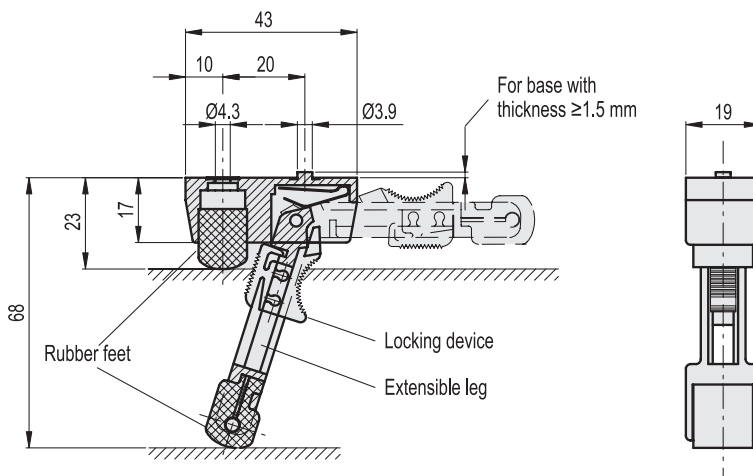
RHGZ-068 series extensible feet are generally used on devices and instruments subjected to particular stress, where a high gripping force is required; this is provided, both in retracted and extended position, by a special locking device (red colour).



RHGZ-000



RHGZ-068



RHGZ-000

METRIC

Code	⚖
RHGZ-23.000.44	28
RHGZ-23.000.52	28

RHGZ-068

METRIC

Code	⚖
RHGZ-23.068.44	81
RHGZ-23.068.52	81

