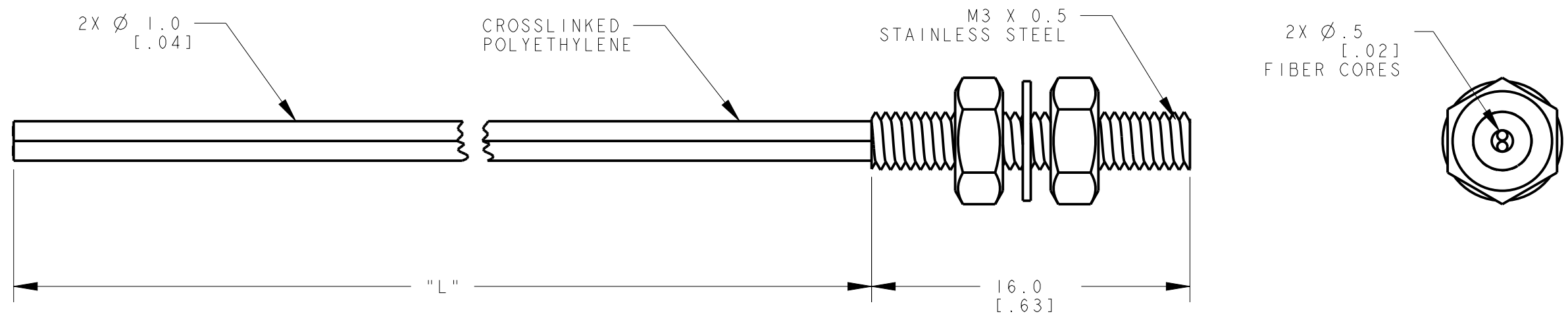
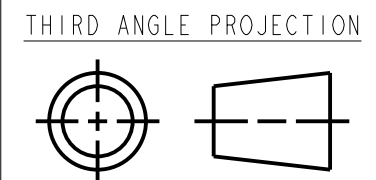


8	7	6	5	4	3	2	1
MODEL NO.	"L"	"TL"	P/N				
PBT26UHT2	2000 [79]	14.0 [.55]	76825				



NOTES:
 1. ALL DIMENSIONS ARE IN METERS UNLESS OTHERWISE NOTED.
 2. REFER TO www.bannerengineering.com FOR ADDITIONAL DATA AND SPECIFICATIONS.

This drawing is the property of BANNER ENGINEERING CORP. Any use or reproduction, in any form, without prior written permission of Banner is prohibited. © 2015 Banner Engineering Corp.



		BANNER ENGINEERING CORP. www.bannerengineering.com	
TITLE			
PBT2 SERIES UNTERMINATED			
SIZE	DRAWING NO.	REV.	
B	166398	A	
SCALE	SHEET		CREO
4:1	1 OF 1		