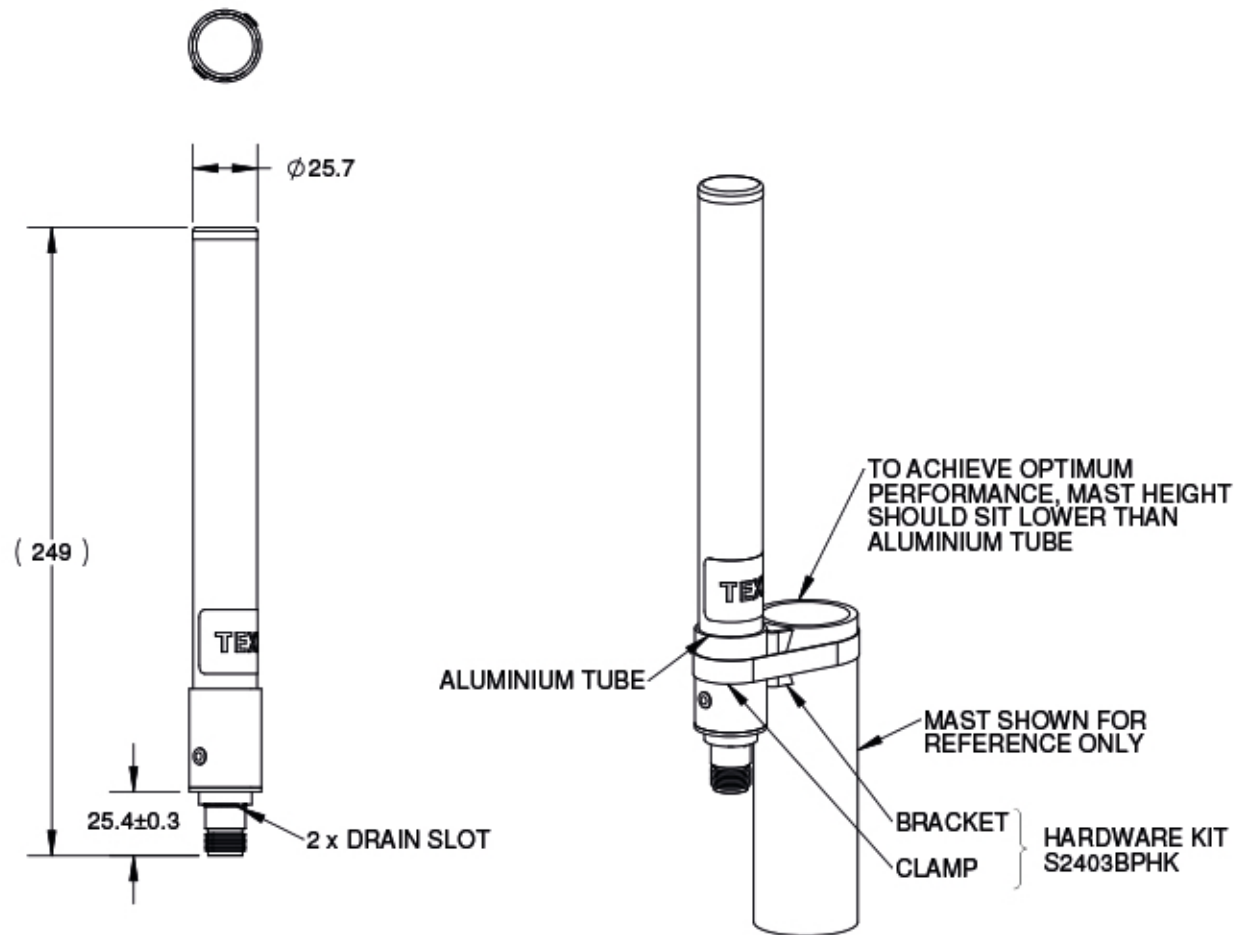


THIS DRAWING IS UNPUBLISHED.

RELEASED FOR PUBLICATION -,-



© Copyright 2022 TE Connectivity Ltd.

ALL RIGHTS RESERVED.



Parameter	Performance
Model Number	OC69271-FNF
Frequency, (MHz)	698 – 862MHz 824 – 894MHz 880 – 960MHz 1710 – 1880MHz 1850 – 1990MHz 1920 – 2170MHz 2300 – 2400MHz 2400 – 2500MHz 2500 – 2690MHz.
Impedance	50 ohm
Peak Gain, (dBi)	1.5 dBi (698 – 960MHz) 3.5 dBi (1710 – 2690MHz)
Polarization	Vertical, Omnidirectional Radiation Pattern
VSWR	< 2.5 : 1 (698 – 960MHz) < 2 : 1 (1710 – 2690MHz)
Power	20 Watts
RF Connector	N-Type (FEMALE)
Radome Color	White
Antenna Weight	156 G
Mounting Position	Upright Position Only
Wind Rating	Operational 120 MPH / Survival 136 MPH
IP Rating	IP55
Operating Temperature	-30°C to 70°C
Storage Temperature	-40°C to 85°C

**APPROVED**

TOLERANCE (UNLESS STATED)	X = ±0.3 .XX = ±0.13 ANGULAR = ± 30'	SYM	ECO/DESCRIPTION	DATE	CK	APP	TE connectivity	DRAWN BY: CY HANG		 	
		B1	ECN#1643	08NOV13	HANG	TEOH		CHECKED BY: GJ CHIN			
- PRODUCT & PROCESS MUST COMPLY TO LT-GES - MISSING INFORMATION REFER TO 3D DATA - DIMENSIONS ARE IN MILLIMETERS UNLESS STATED OTHERWISE - THIS DRAWING WAS GENERATED VIA SOLIDWORKS - PRINT NOT TO SCALE							DWG. NO. OC69271-FNFMO		PG. 1/1	REV B1	
							DESCRIPTION: OC69271-FNF		MATERIAL: N/A		
							PROJECT NO. W100-P009	DATE: 13/12/11	SCALE:	UNITS: MM	