

Characteristics:

High Power, Compact Size

**Specifications:**

Dimensions (in)	: Ø 0.8 X 0.6 X 1.0 in
Shaft Diameter (in)	: Ø 0.079 in
Input Voltage (V)	: 12 V DC
No Load Speed (rpm)	: 25000 rpm
No Load Current (A)	: 0.30 A
Nominal Speed (rpm)	: 20400 rpm
Nominal Torque (lb.in)	: 0.04 lb.in
Nominal Current (A)	: 1.33 A
Stall Torque (lb.in)	: 0.19 lb.in
Stall Current (A)	: 6.00 A
Maximum Output Power (hp)	: 0.02 hp
Maximum Efficiency (%)	: 53.40 %
Torque (lb.in) - Max Eff	: 0.04 lb.in
Speed (rpm) - Max Eff	: 20400 rpm
Weight (oz)	: 0.8 oz
Operating Temperature Range (°F)	: 14 to 131 °F
Storage Temperature Range (°F)	: -4 to 176 °F
Electrical Connection	: Terminals

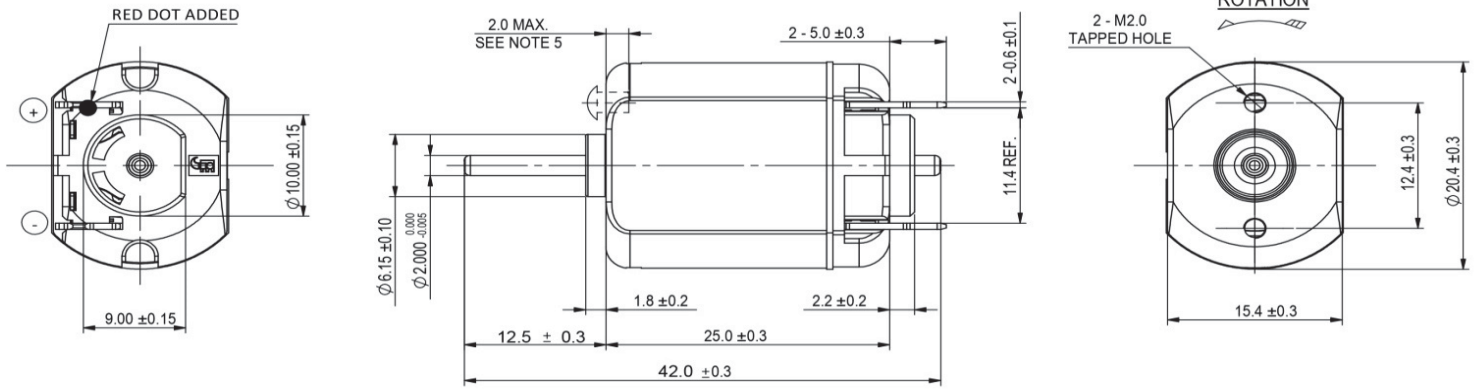
Performance Data:

	No Load	Stall	Max Efficiency	Max Power
Current (A)	0.30	6.00	1.33	3.13
Efficiency (%)	-	-	53.40	-
Output Power (hp)	-	-	0.01	0.02
Speed (rpm)	24600.00	-	20400.00	12500.00
Torque (lb.in)	-	0.19	0.04	0.10

Application Examples:

Actuators

Drawing:



Performance Curves:

