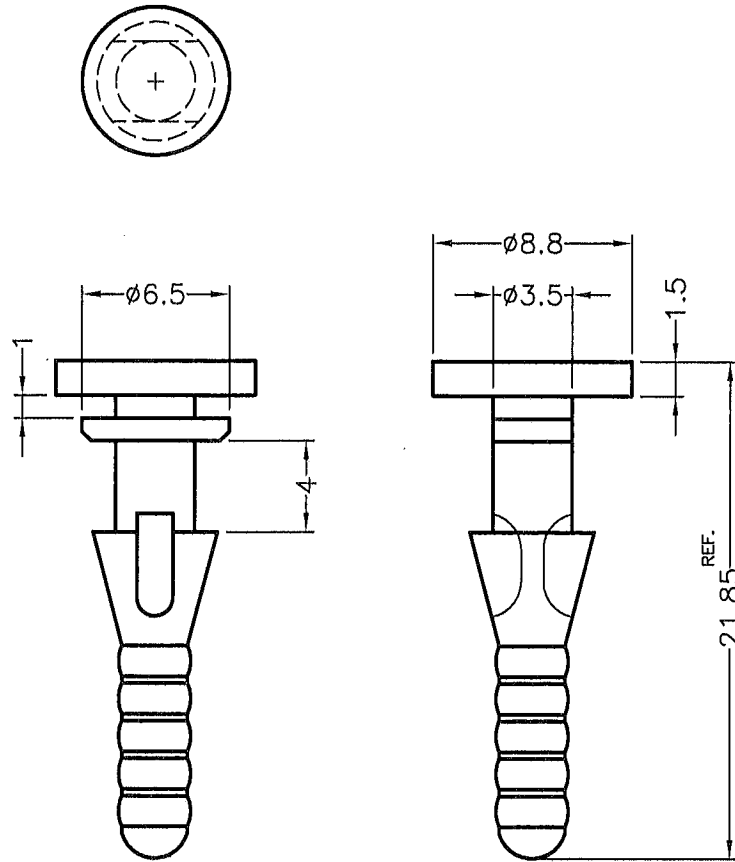


DIM.	TOL.
5mm DOWN	±0.2
5~20mm	±0.3
20~40mm	±0.4
40~60mm	±0.5
60~100mm	±0.8
100mm UP	±1.0


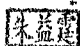

REVISIONS			
REV	DESCRIPTION	DATE	BY



MOUNTING HOLE  $\phi 3.5$

Note: All measurement does not include gate which raises under 1.2mm.

PART NO.	HARDNESS
BUB-88G	45°±10°
BUB-88H	55°±10°

 <p>康揚企業股份有限公司 KANG YANG HARDWARE ENTERPRISE CO., LTD. 康揚塑膠(東莞)有限公司 KANG YANG PLASTIC(DONG GUAN) CO., LTD. 康哲電腦配件(吳江)有限公司 KANG CHE COMPUTER COMPONENTS(WUJIANG) CO., LTD.</p>	TITLE	FAN SNAP RIVET	SPEC. DWG.
	MATERIAL	TPE	DATE 2008.11.18
	HARDNESS	SEE ABOVE	DRAWN Tony
	COLOR	BLACK	CHECK 
PART NUMBER	DRAWING NUMBER	UNLESS OTHERWISE SPECIFIED TOLERANCE	APPROVED
SEE ABOVE	BUB-88	SEE ABOVE	
SIZE A4	SCALE 3:1	UNIT mm	REV C