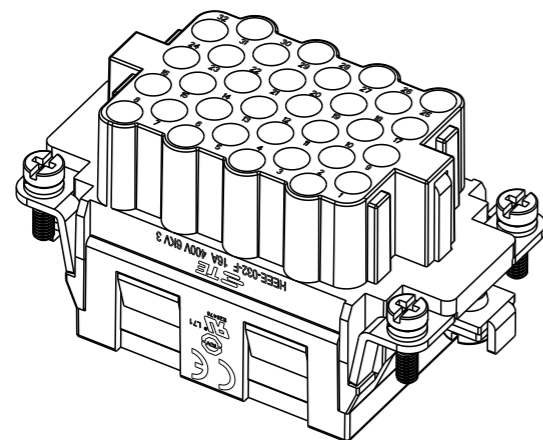
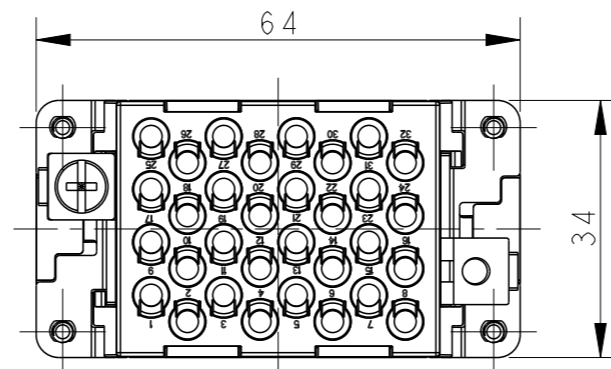


REVISIONS

P	LTR	DESCRIPTION	DATE	DWN	APVD
A		INITIAL RELEASE	18DEC2014	DW	CW
B		ECR-15-015267	19OCT2015	DW	CW
C		ECR-21-111798	02SEP2021	WQR	CW
C1		ECR-22-152753	21SEP2022	WQR	CW

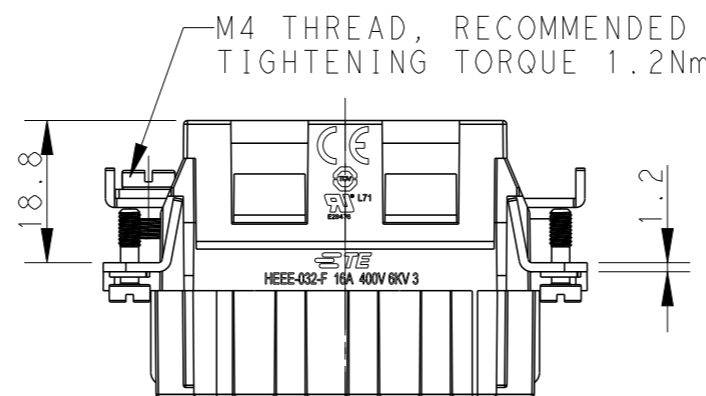
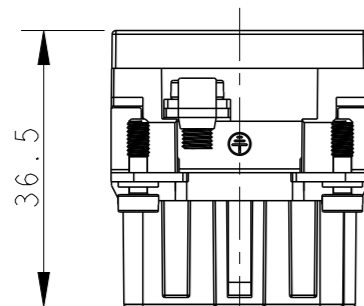


TYPE 1, T2050323201-000  
 类型 1, T2050323201-000



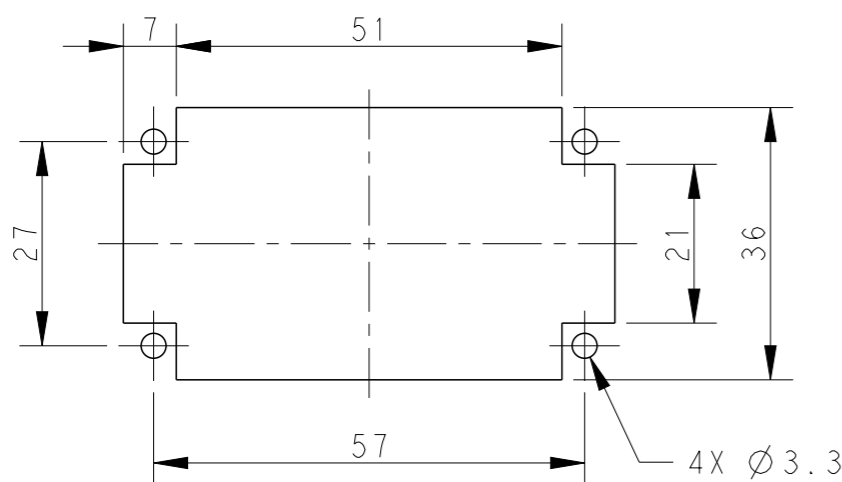
NOTES:

- TECHNICAL CHARACTERISTICS:  
 INSULATION MATERIAL: PC  
 RATED VOLTAGE: 400V  
 RATED CURRENT: 16A  
 INSULATION RESISTANCE:  $\geq 400M\Omega$   
 RATED IMPULSE VOLTAGE: 6KV  
 POLLUTION DEGREE: 3  
 FLAMMABILITY: UL94V-0  
 MATING CYCLES: 500 CYCLES  
 OPERATION TEMPERATURE:  $-40^{\circ}C \sim +125^{\circ}C$   
 WIRE RANGE:  $0.14mm^2 \sim 4mm^2$  (AWG26-AWG12)  
 CONTACT TYPE: CRIMP CONTACT
- CONTACTS NEED TO BE ORDERED SEPARATELY.  
 (ORDER No. REFER TO DRAWING: T20300X20XX000)

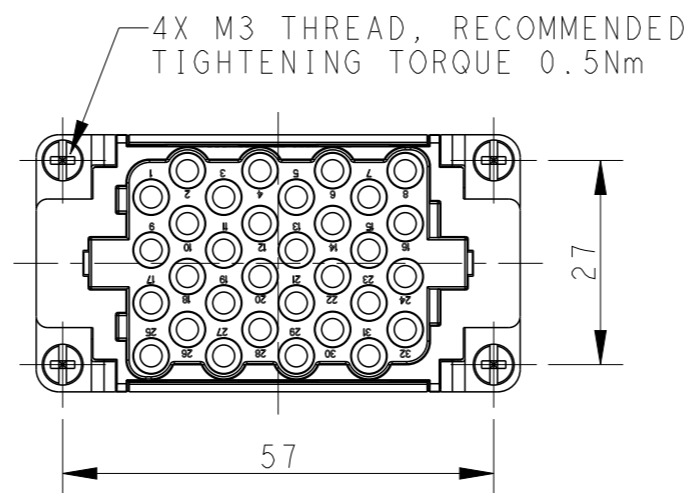


注释:

- 技术参数:  
 绝缘材料: PC  
 额定电压: 400V  
 额定电流: 16A  
 绝缘电阻:  $\geq 400M\Omega$   
 脉冲电压: 6KV  
 污染等级: 3  
 阻燃等级: UL94V-0  
 插拔次数: 500次  
 工作温度:  $-40^{\circ}C \sim +125^{\circ}C$   
 接线范围:  $0.14mm^2 \sim 4mm^2$  (AWG26-AWG12)  
 接线类型: 冷压接
- 端子需要单独订购。  
 (订货号参考图面: T20300X20XX000)



PANEL CUT FOR INSERTS FOR USE WITHOUT HOODS/ HOUSINGS



THIS DRAWING IS A CONTROLLED DOCUMENT.		DWN 18DEC2014 RAGHAVENDRA H M			
		CHK 18DEC2014 CHRIS WANG			
		APVD 18DEC2014 XU XIANG	NAME HEEE-032-F		
DIMENSIONS: mm		PRODUCT SPEC 108-137068	RESTRICTED TO		
TOLERANCES UNLESS OTHERWISE SPECIFIED: 0 PLC ±- 1 PLC ±- 2 PLC ±- 3 PLC ±- 4 PLC ±- ANGLES ±-		APPLICATION SPEC 114-137068	SIZE A3	CAGE CODE 00779	DRAWING NO T2050323201000
MATERIAL -		WEIGHT -	SCALE 1:1		
		Customer Drawing		SHEET 1 OF 2	
				REV C1	

4

3

2

1

THIS DRAWING IS UNPUBLISHED.

RELEASED FOR PUBLICATION

20

REVISIONS

© COPYRIGHT 20 BY - ALL RIGHTS RESERVED.

P	LTR	DESCRIPTION	DATE	DWN	APVD
	-	SEE SHEET 1	-	-	-


TYPE 2, T2050323201-002  
类型 2, T2050323201-002

NOTES:  
4X M3 SELF-TAPPING SCREW SEE THIS SHEET,  
OTHER SPEC REFER TO TYPE 1.

注释:  
4X M3 自攻螺丝参照此页, 其余产品规范参照类型 1.

4X M3 SELF-TAPPING SCREW, RECOMMENDED  
TIGHTENING TORQUE 1.2~1.5N.m  
4X M3 自攻螺丝, 推荐拧紧力矩 1.2~1.5N.m

T2050323201-002	HEEE-032-F	HEEE-032 FEMALE INSERT, SELF-TAPPING HEEE-032母插, 自攻螺丝	TYPE-2 类型-2
T2050323201-000	HEEE-032-F	HEEE-032 FEMALE INSERT HEEE-032母插	TYPE-1 类型-1
PART NUMBER 料号	PART DESCRIPTION 描述		TYPE 类型

THIS DRAWING IS A CONTROLLED DOCUMENT.		DWN 18DEC2014 RAGHAVENDRA H M	 TE Connectivity	
DIMENSIONS: mm		CHK 18DEC2014 CHRIS WANG		
TOLERANCES UNLESS OTHERWISE SPECIFIED:		APVD 18DEC2014 XU XIANG	PRODUCT SPEC 108-137068	
0 PLC ±-		MATERIAL -	APPLICATION SPEC 114-137068	
1 PLC ±-			WEIGHT -	
2 PLC ±-			SIZE CAGE CODE DRAWING NO RESTRICTED TO A3 00779 C-T2050323201000 -	
3 PLC ±-			SCALE 1:1 SHEET 2 OF 2 REV C1	
4 PLC ±-		Customer Drawing		
ANGLES ±-				
FINISH				
-				
-				

1470-19 (3/13)