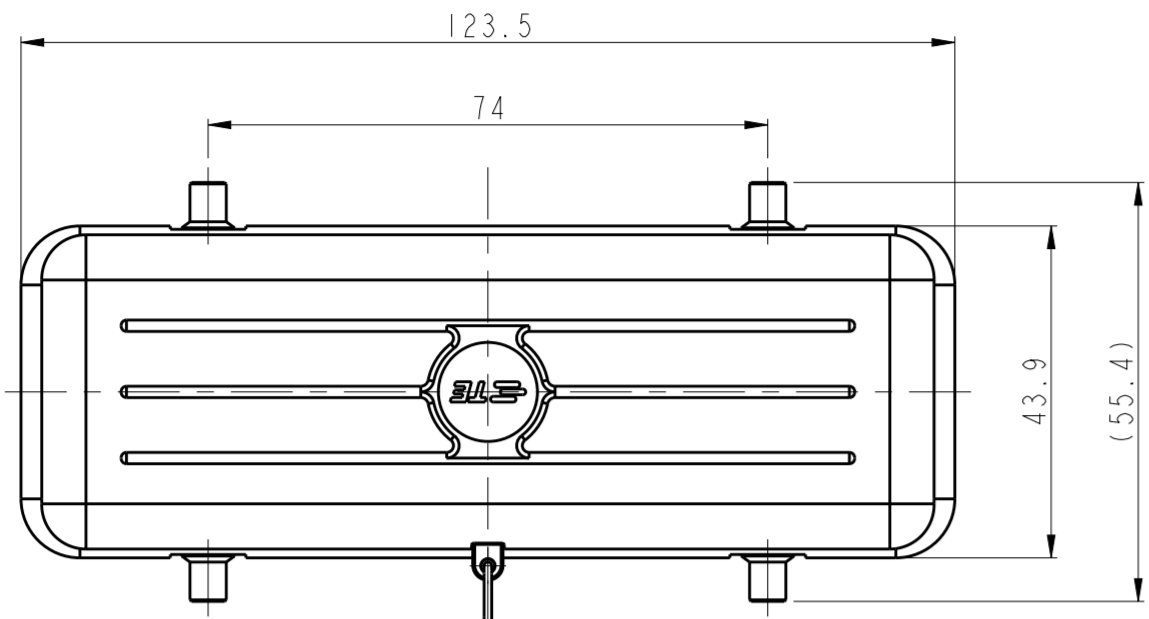
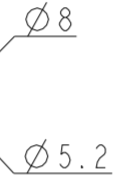


THIS DRAWING IS UNPUBLISHED. RELEASED FOR PUBLICATION 20
 © COPYRIGHT 20 BY - ALL RIGHTS RESERVED.

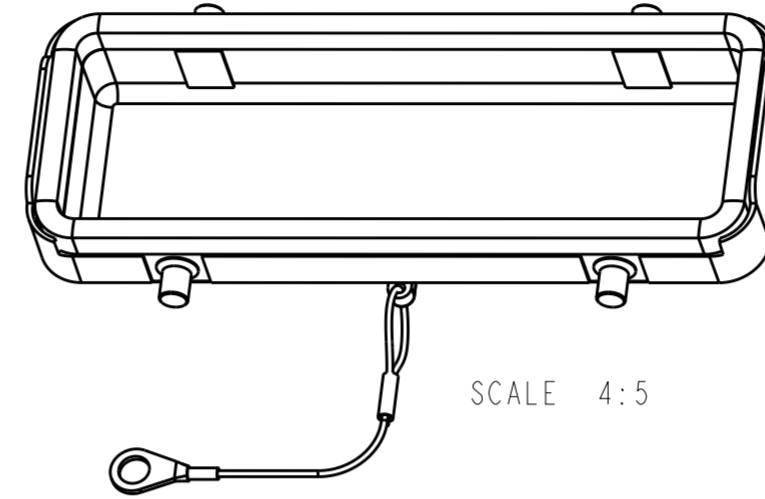
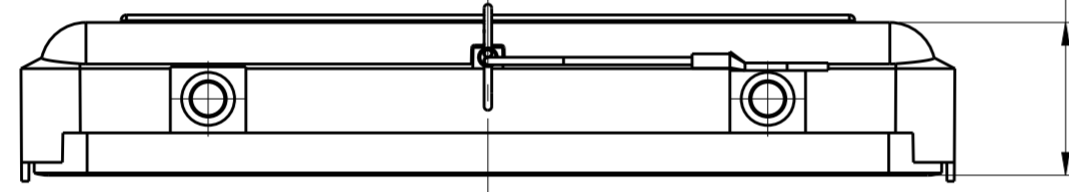
REVISIONS				
P	LTR	DESCRIPTION	DATE	APVD
A		INITIAL	08JUN2015	DW CW
AI		ECR-17-009135	23JUN2017	CH CW



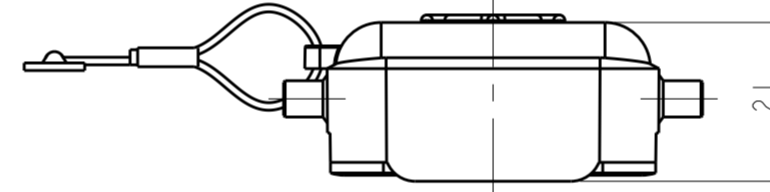
TRANSPARENT NYLON ROPE:
 TOTAL LENGTH 250mm,
 DIA. Ø1.0mm
 透明尼龙绳: 总长250mm, 直径Ø1.0mm



20.2 DIM. WITH SEALING, NO DIM. WITHOUT SEALING
 带密封看尺寸, 不带密封无此尺寸

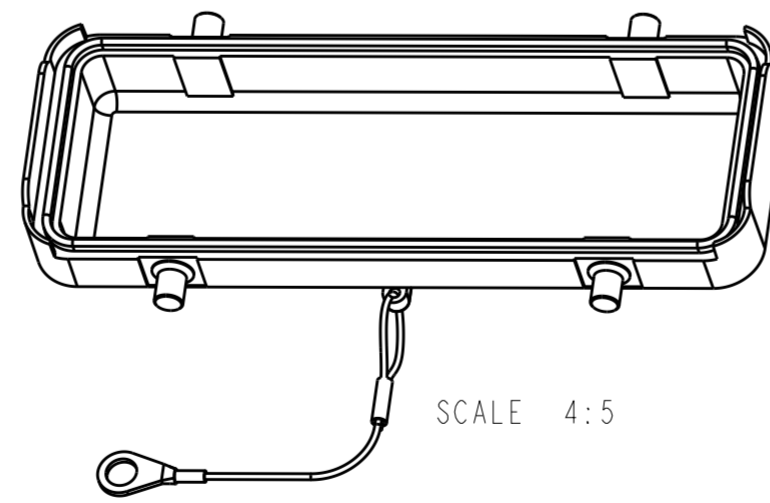
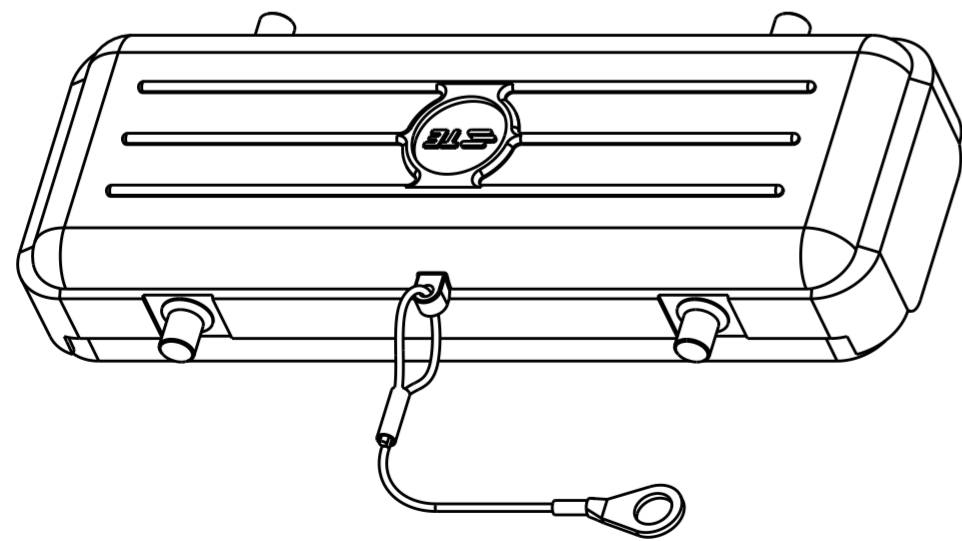


TYPE 2: THIS TYPE IS SAME AS TYPE 1, ONLY ADD SEALING.
 类型2: 此类型同类型1, 只是增加了密封.



NOTES:
 1. TECHNICAL CHARACTERISTICS:
 COVER MATERIAL: PC, GREY

注释:
 1. 技术参数:
 保护盖材质: PC, 灰色



TYPE 1
 类型1

T1010242200-000	H24B-KDBP-R	H24B HOUSING PLASTIC PROTECTION COVER, 4 EAR, SEALING, NYLON ROPE, GREY H24B下壳塑料保护盖, 4耳, 带密封, 尼龙绳, 灰色	TYPE 2 类型2
T1010242100-000	H24B-KDBP	H24B HOUSING PLASTIC PROTECTION COVER, 4 EAR, WITHOUT SEALING, NYLON ROPE, GREY H24B下壳塑料保护盖, 4耳, 不带密封, 尼龙绳, 灰色	TYPE 1 类型1
PART NUMBER 料号	PART DESCRIPTION 描述		TYPE 类型

THIS DRAWING IS A CONTROLLED DOCUMENT.		DWN DAVID.WANG 08JUN2015	TE Connectivity	
		CHK CHRIS.WANG 08JUN2015		
		APVD XIANG.XU 08JUN2015		
DIMENSIONS: mm 		TOLERANCES UNLESS OTHERWISE SPECIFIED: 0 PLC ± 1 PLC ± 2 PLC ± 3 PLC ± 4 PLC ± ANGLES ± FINISH -		NAME H24B-KDBP / H24B-KDBP-R PRODUCT SPEC - APPLICATION SPEC - WEIGHT -
MATERIAL -		SIZE A2 CAGE CODE - DRAWING NO. C-T1010242100000 RESTRICTED TO -		
		CUSTOMER DRAWING		SCALE 1:1 SHEET OF REV AI