

4

3

2

1

THIS DRAWING IS UNPUBLISHED.

RELEASED FOR PUBLICATION

© COPYRIGHT

ALL RIGHTS RESERVED.

LOC DIST


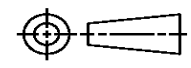
REVISIONS

P	LTR	DESCRIPTION	DATE	DWN	APVD

REPLACED BY OCEAN STYLE APPLICATOR PART NUMBER

FOR REPLACEMENT PARTS FOR APPLICATOR REFER TO ADDITIONAL PAGE(S). SPARE PARTS KIT (IF LISTED) WILL REMAIN AVAILABLE.

THE REPLACEMENT OCEAN STYLE APPLICATOR HAS THE SAME TERMINATOR/PRESS INTERFACE AS APPLICATOR

THIS DRAWING IS A CONTROLLED DOCUMENT.		DWN	 TE Connectivity		
DIMENSIONS:		CHK			
TOLERANCES UNLESS OTHERWISE SPECIFIED:		APVD	NAME		
 <ul style="list-style-type: none"> 0 PLC ± 1 PLC ± 2 PLC ± 3 PLC ± 4 PLC ± ANGLES ± 		PRODUCT SPEC	RESTRICTED TO		
		APPLICATION SPEC	SIZE	CAGE CODE	DRAWING NO
MATERIAL	FINISH	WEIGHT	A3	C-	
		SCALE	SHEET	OF	REV

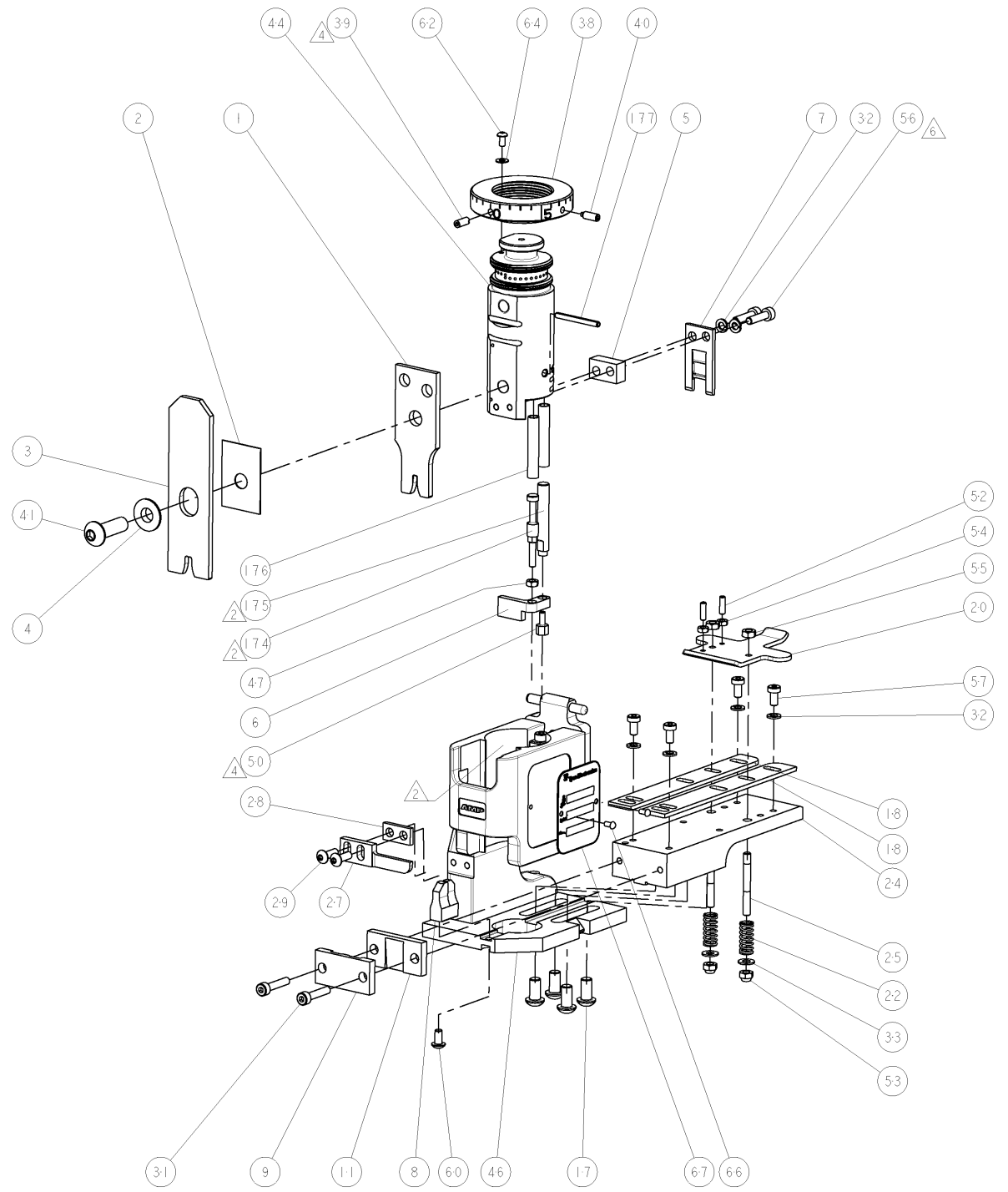
PART NUMBER		REV	DESCRIPTION	PROGRAMMED MEMORY CHIP
1911171-1		A	S3A APPLICATOR	8-1911171-1
7-1911171-1		A	-1 AND SPARE PARTS	9-1911171-1
7-1911171-7		A	SPARE PARTS KIT	

APPLICATOR DATA		
CRIMP	SIZE	TYPE
WIRE	2.79 [.110IN]	F
INSUL	4.57 [.180IN]	F
APPL INSTRUCTIONS 408-10136		

TERMINAL DATA: TE TERMINAL TYCO ELECTRONICS CRIMP SPEC	
TERMINAL NAME: RECEPTACLE, POSI-LOK, .250 SERIES	
WIRE STRIP LENGTH 4.30-5.10mm [.172-.203 IN]	INSULATION DIAMETER RANGE 2.29-3.94mm [.090-.155 IN]
TERMINAL APPL SPEC 114-2074	
TERMINALS APPLIED	
1217094-1	1217094-2

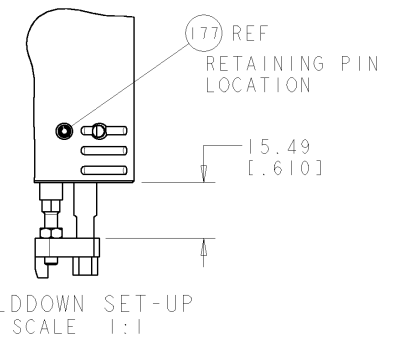
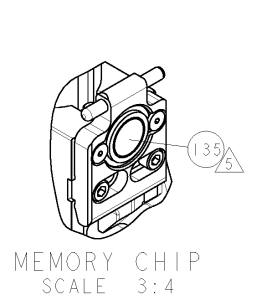
WIRE SIZE	CRIMP HEIGHT
14AWG	1.57±.05 [.062±.002]
16AWG	1.37±.05 [.054±.002]
18AWG	1.24±.05 [.049±.002]

FEED FINGER 1901697-1	SET UP GAGE 1901068-1	LOC A	DIST 66
REVISIONS			
REV	DESCRIPTION	DATE	OWN
A	RELEASED	23JAN2008	MEH GB



-	1	1	1-993111-6	PIN, SLOTTED SPRING 3.0 X 30.0	177
-	2	2	3-22280-7	SPRING, COMPRESSION	176
-	1	1	1752353-1	GUIDE PIN, HOLDDOWN	175
-	1	1	1901680-1	GUIDE PIN, HOLDDOWN	174
REF	REF	REF	SEE TABLE	MEMORY CHIP, PROGRAMMED	135
-	1	1	1633565-2	DOCUMENTATION PACKAGE	71
-	1	1	1901048-1	TAG, IDENTIFICATION	67
-	2	2	21017-2	SCREW, DRIVE	66
-	1	1	18028-1	WASHER, FLAT, REG M3	64
-	1	1	1655785-9	SCR, BTN SKT HD CAP (M3 X 6)	62
-	1	1	1655785-1	SCR, BTN SKT HD CAP (M4 X 8)	60
-	4	4	1655783-2	SCR, CAP, SOC HD, LOW HEAD, M4 X 8	57
-	2	2	1655316-3	SCR, SKT HD CAP, M4 X 16.0	56
-	2	2	18030-2	NUT, HEX, REG M4	55
-	2	2	18030-1	NUT, HEX, REG M3	54
-	2	2	986965-1	NUT, LOCK, HEX, TORQUE (M4)	53
-	2	2	2-18032-2	SCR, SET, FLT POINT M3 X 10.0	52
-	1	1	1752354-5	STANDOFF, HOLD-DOWN	50
-	1	1	1-18030-0	NUT, HEX, REG M3.5	47
-	1	1	1752320-1	EF SYSTEM III APPLICATOR	46
-	1	1	1752308-1	RAM	44
-	1	1	2-1655785-3	SCR, BTN SKT HD CAP (M8 X 25)	41
-	1	1	993002-4	SCREW, SET, SFT TIP	40
-	1	1	1962043-1	PLUNGER, BALL, METRIC	39
-	1	1	1752309-3	RING, INSULATION CRIMP	38
-	2	2	18028-2	WASHER, FLAT, REG M4	33
-	6	6	18026-2	WASHER, SPRG LOCK, REG M4	32
-	2	2	2-1655316-6	SCR, SKT HD CAP, M4 X 20.0	31
-	2	2	1655785-2	SCR, BTN SKT HD CAP (M4 X 12)	29
-	1	1	1-690451-8	SPACER, STRIPPER	28
-	1	1	240639-1	STRIPPER (MACHINING)	27
-	2	2	1320906-1	STUD, THREADED	25
-	1	1	1752371-1	PLATE, STRIP GUIDE	24
-	2	2	22281-7	SPRING, DRAG	22
-	1	1	1752373-1	DRAG	20
-	2	2	1-1901259-0	GUIDE, LOWER STRIP	18
-	4	4	1655785-5	SCR, BTN SKT HD CAP (M6 X 12)	17
-	1	1	240644-1	PLATE, REAR SHEAR	11
-	1	1	690482-4	PLATE, FRONT SHEAR	9
-	1	2	1633386-2	ANVIL, COMBINATION	8
-	1	1	690474-4	BLADE, SLUG	7
-	1	1	1901681-9	HOLDDOWN, TERMINAL	6
-	1	1	2-240641-7	SPACER	5
-	1	1	238009-1	BLOCK, FL CRIMPER SPACER	4
-	1	2	456134-6	CRIMPER, INSULATION F PREMIUM	3
-	1	1	455888-4	SPACER, CRIMPER	2
-	1	2	456408-3	CRIMPER, WIRE PREMIUM	1

- ⊕ RECOMMENDED SPARE PARTS.
- ② GREASE BEARING SURFACES LIGHTLY.
- 3. LUBRICATE DAILY PER THE APPLICATOR INSTRUCTION SHEET SUPPLIED WITH THE APPLICATOR.
- ④ APPLY P/N 1-23419-5 LOCTITE® TO THREADS.
- ⑤ APPLICATOR SPECIFIC DATA TO BE ENTERED INTO BLANK MEMORY CHIP AT ASSEMBLY.
- ⑥ CUT TO LENGTH AT ASSEMBLY.



DIMENSIONS: mm (INCHES)		TOLERANCES UNLESS OTHERWISE SPECIFIED:	
0 PLC	±	1 PLC	±0.1
2 PLC	±0.02	3 PLC	±0.005
4 PLC	±0.005	ANGLES	
MATERIAL:		FINISH:	
WEIGHT:		CUSTOMER DRAWING:	

CUSTOMER VIEWABLE ASSEMBLY