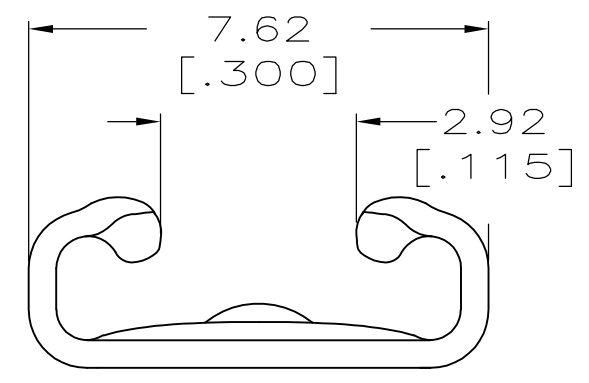
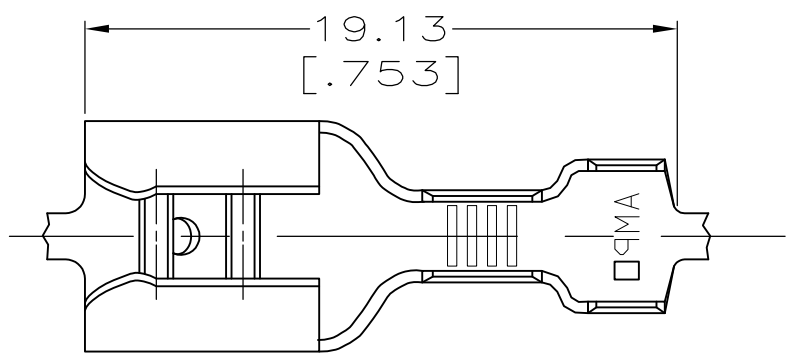


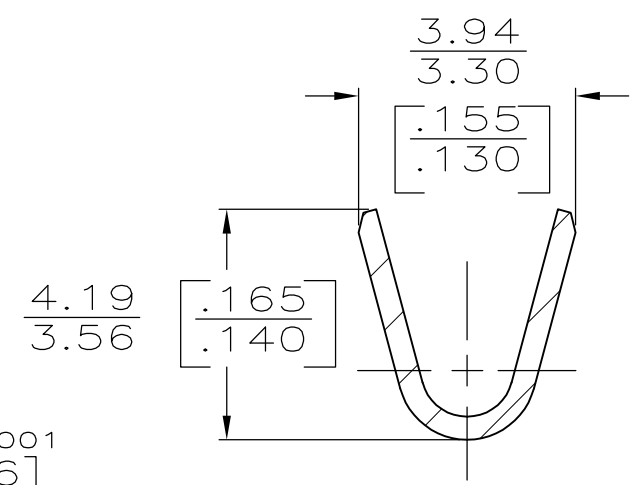
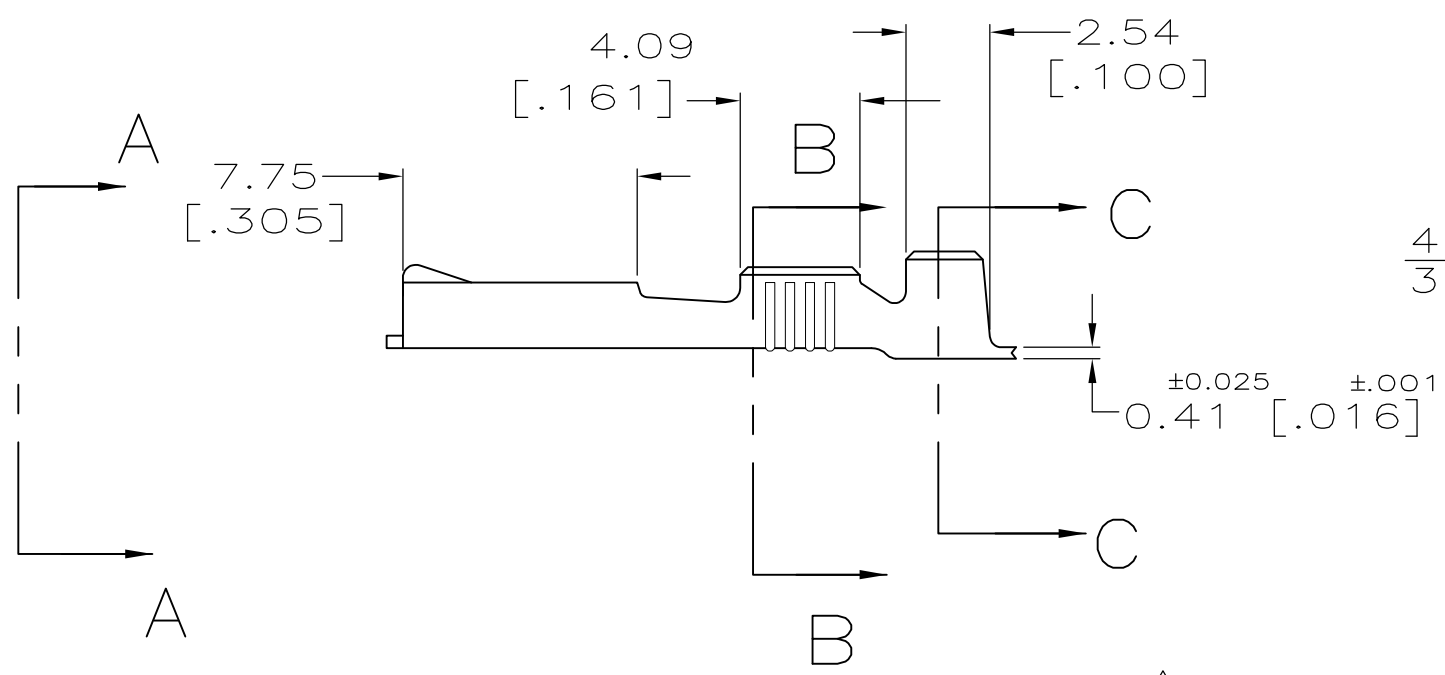
THIS DRAWING IS UNPUBLISHED. RELEASED FOR PUBLICATION  
 © COPYRIGHT - By - ALL RIGHTS RESERVED.

| LOC | DIST | REVISIONS |     |                           |         |     |      |
|-----|------|-----------|-----|---------------------------|---------|-----|------|
| AF  | 50   | P         | LTR | DESCRIPTION               | DATE    | DWN | APVD |
|     |      | A         |     | REVISED PER ECR-12-013445 | 09NOV12 | KH  | PD   |

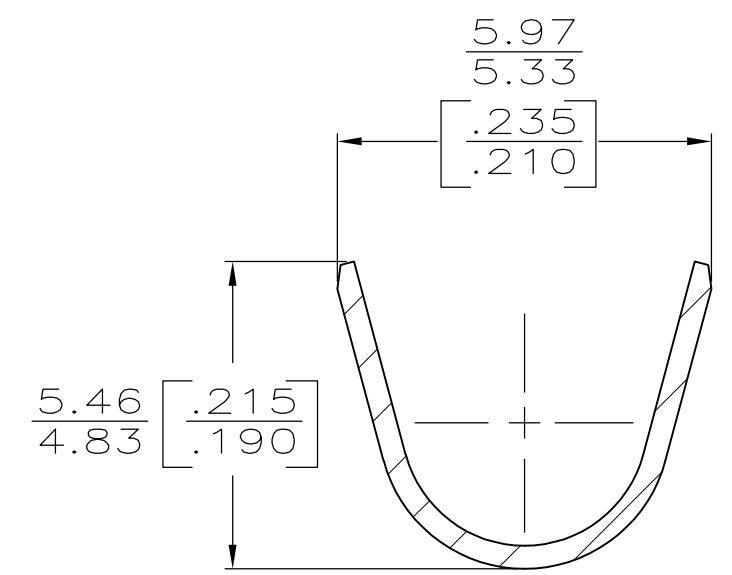


VIEW A-A  
SCALE 8:1

- 1 CONTINUOUS STRIP ON REELS.
- 2 TIN PLATE 0.002032 [.000080]MIN THK.
- 3 OBSOLETE PARTS: OBSOLETE CIS STREAMLINING PER D.RENAUD/D.SINISI



SECTION B-B  
SCALE 8:1



SECTION C-C  
SCALE 8:1

|            |                                  |               |                              |        |                    |
|------------|----------------------------------|---------------|------------------------------|--------|--------------------|
| 3 OBSOLETE | 3.05-4.32 DIA<br>[.120-.170] DIA | [#18-#14] AWG | 0.81 [.032]                  | TIN 2  | <del>60713-2</del> |
|            | INSULATION RANGE                 |               | MATING TAB THK ±0.025 [.001] | FINISH | 60713-1            |
| PART.NO    |                                  |               |                              |        |                    |

|   |                  |                         |  |                 |                    |                 |
|---|------------------|-------------------------|--|-----------------|--------------------|-----------------|
| THIS DRAWING IS A CONTROLLED DOCUMENT.  |                  | DWN JR RUTH 5/26/94     | TE Connectivity<br>RECEPTACLE, FASTON,<br>6.35 [.250] SERIES |                 |                    |                 |
| DIMENSIONS: mm [INCHES]   |                  | CHK MS FEHER 5/26/94    |  |                 |                    |                 |
| TOLERANCES UNLESS OTHERWISE SPECIFIED:  |                  | APVD P DESANTIS 5/26/94 |  |                 |                    |                 |
| 0 PLC ± -<br>1 PLC ± -<br>2 PLC ± 0.25 [.010]<br>3 PLC ± -<br>4 PLC ± -<br>ANGLES ± - |                  | NAME                    |  |                 |                    |                 |
| MATERIAL BRASS  | FINISH SEE TABLE | PRODUCT SPEC -          | SIZE A3  | CAGE CODE 00779 | DRAWING NO C-60713 | RESTRICTED TO - |
| CUSTOMER DRAWING  |                  |                         | WEIGHT -   | SCALE 4:1       | SHEET 1 OF 1       | REV A           |