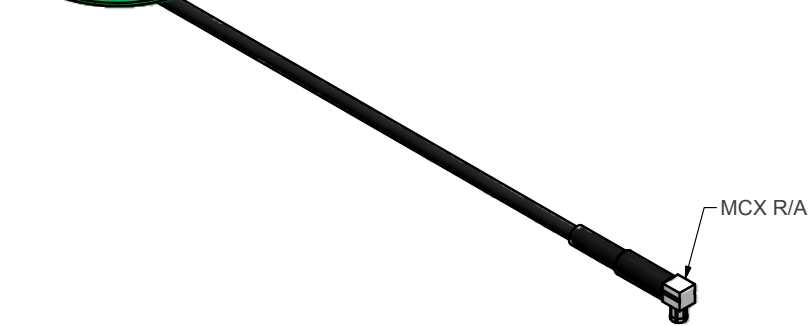
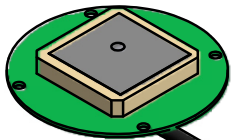
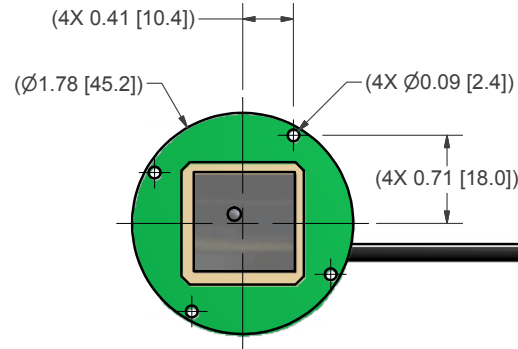

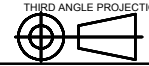


NOTES: UNLESS OTHERWISE SPECIFIED

1. INTERPRET DRAWING PER ANSI/ASME Y14.5
2. MATERIAL: N/A.
3. FINISH: N/A.
4. ALL MATERIALS SHALL BE ROHS COMPLIANT.
5. PARTS SHALL BE PACKAGED TO PREVENT DAMAGE IN SHIPMENT AND HANDLING.
6. DIMENSIONS IN PARENTHESIS ARE FOR REFERENCE ONLY AND NO TOLERANCE IS IMPLIED.

REVISION HISTORY			
REV	DESCRIPTION	DATE	APPROVED
B	PCTEL ODD RELEASED [C04887]	01APR09	JD



UNLESS OTHERWISE SPECIFIED DIMENSIONS ARE IN INCHES [DIMENSIONS ARE IN mm]  FOR TOLERANCES NOT SPECIFIED USE: .XX in ± .1 in, .XXX in ± .03 in, .XXX in ± .005 in [X mm ± 3 mm], [X.X mm ± .8 mm], [X.XX mm ± .13 mm] ANGULAR ± 2°, FRACTIONAL ± 1/64	DRAWN: IP DATE: 4/1/2010	 PCTEL, INC. BROADBAND TECHNOLOGY GROUP ANTENNA PRODUCTS 471 BRIGHTON DRIVE BLOOMINGDALE, IL 60108 PH. 630-372-8800 FAX. 630-372-8077
	CHECKED: _____ DATE: _____	
 THIRD ANGLE PROJECTION	APPROVED: _____ DATE: _____	DRAWING NO.: ODD_3961D
PROPRIETARY DATA  THE INFORMATION CONTAINED IN THIS DOCUMENT IS OF A PROPRIETARY NATURE. IT MAY NOT BE USED OR REPRODUCED WITHOUT THE EXPRESS WRITTEN PERMISSION OF PCTEL INC., BLOOMINGDALE, IL 60108	MATERIAL: SEE NOTE 2  FINISH: SEE NOTE 3	SIZE: B      SCALE: 1:1      SHEET: 1 OF 1