

.050" (1.27 mm) x .075" (1.90 mm) Staggered ZIP Strip Sockets



- For devices with .050" (1.27 mm) lead centers formed in staggered rows with .100" (2.54 mm) between centers (in same rows) and .075" (1.90 mm) between rows
- Frequently used in pairs to handle devices with staggered leads on opposite sides of the package
- Order left and right hand strips to obtain a complete pair
- Lever actuated zero insertion force mechanism

Date Issued: February 20, 2001

TS-0453-09
Sheet 1 of 2

23

Physical

Insulation

Material: Glass Filled Polysulfone
Flammability: UL 94V-0
Color: Green

Marking: 3M Logo & Part Identification

Contact

Material: Beryllium Copper
Plating: 30 μ " (0.76 μ m) Gold over 50 μ " (1.3 μ m) Nickel

Electrical

Current Rating: 1 Amp
Insulation Resistance: $> 1 \times 10^9 \Omega$ at 500 Vdc
Withstanding Voltage: 1000 Vrms at Sea Level

Environmental

Operating Temperature Rating: - 55° C to +150°C

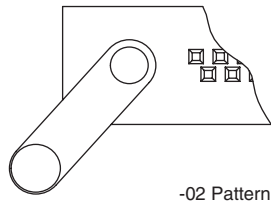
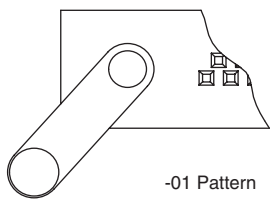
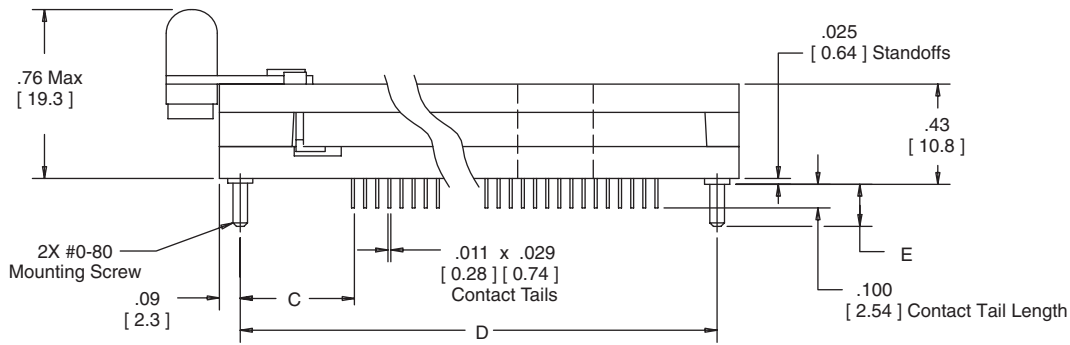
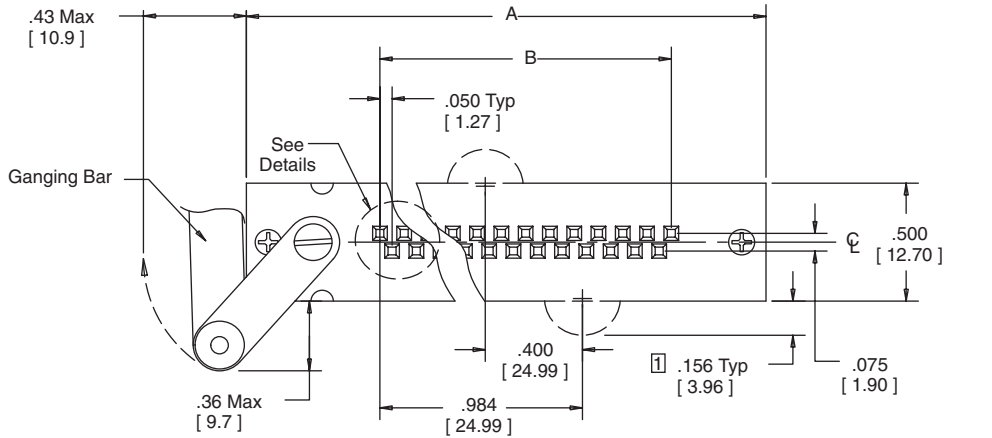
3M Electronic Handling and Protection Division

6801 River Place Blvd.
Austin, TX 78726-9000


For technical, sales or ordering information call **800-328-0411**
or visit our website: <http://www.3M.com/ehpd>

.050" (1.27 mm) x .075" (1.90 mm) Staggered ZIP Strip Sockets

Contact Quantity	Dimensions				
	A	B	C	D	E
39	2.77 [70.3]	1.900 [48.26]	.460 [11.68]	2.59 [65.8]	.20 [5.1]
55	4.00 [101.6]	2.700 [68.58]	.677 [17.20]	3.80 [96.5]	.23 [5.8]



Dimension	Tolerance	
	inch	mm
	.00 (.0)	.000 (.00)
	± .010 (± .25)	± .005 (± .13)

Notes:
 Stabilizing ears are present only on the 55 position.

Ordering Information

Socket Part Number	Contact Quantity
239-5605-01-0602	39
239-5605-02-0602	
255-7322-01-0602	55
255-7322-02-0602	