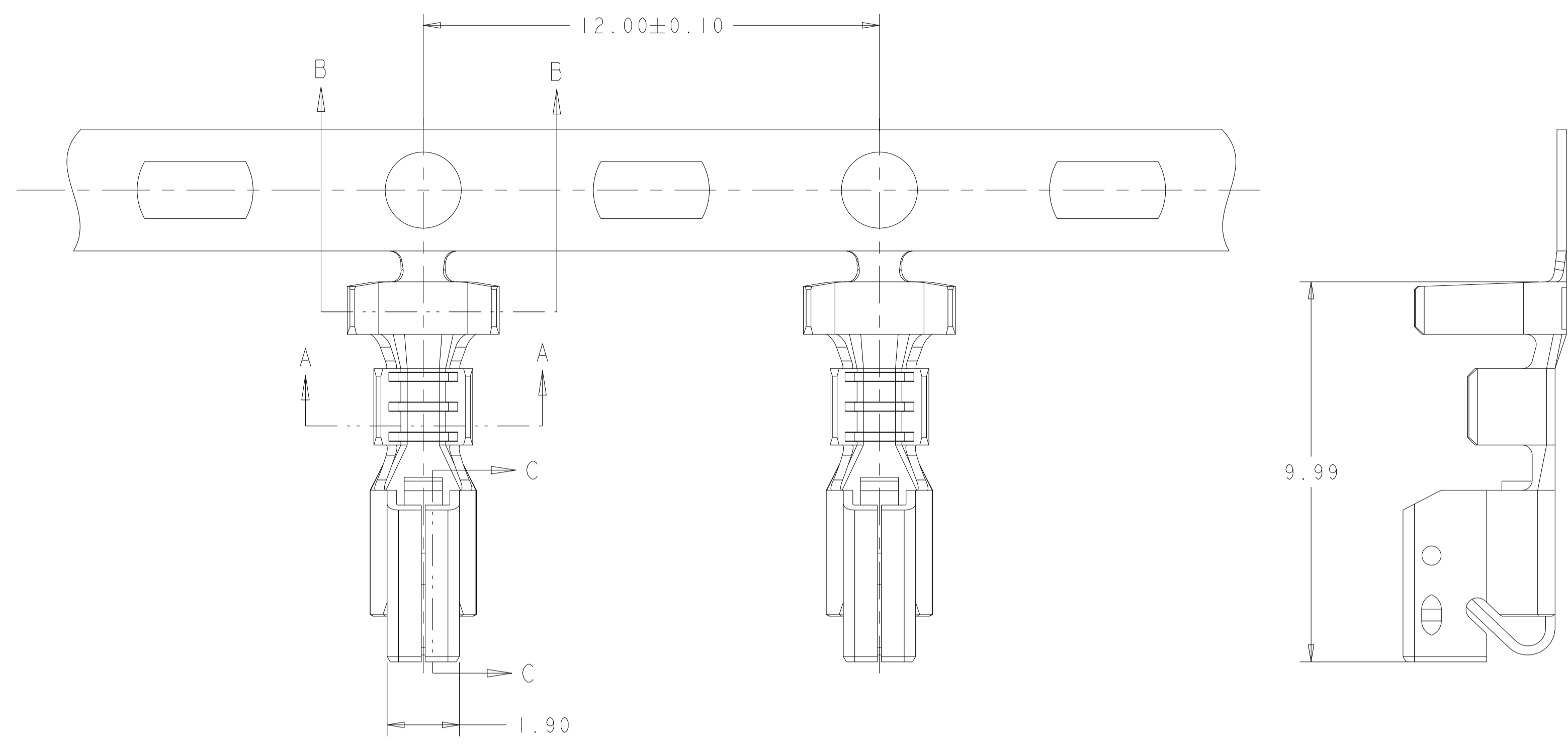
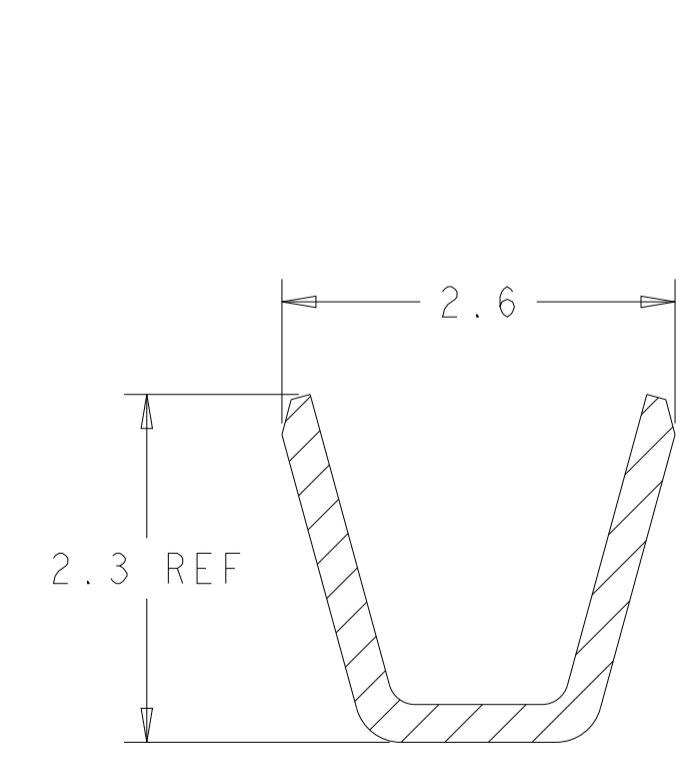
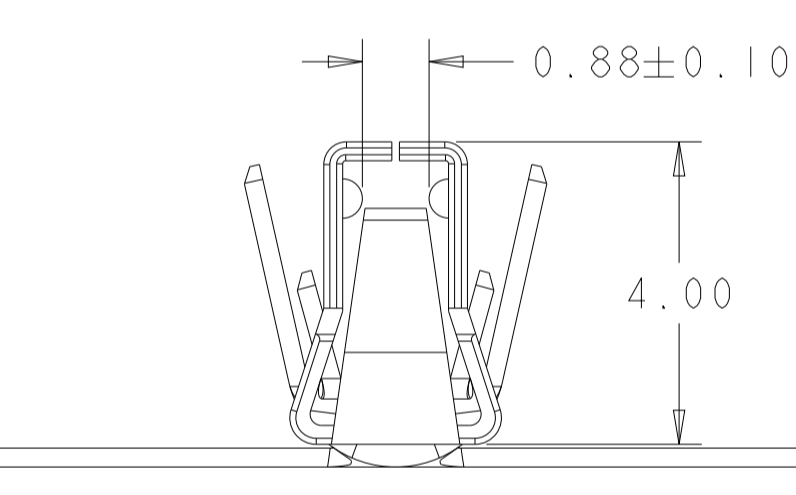
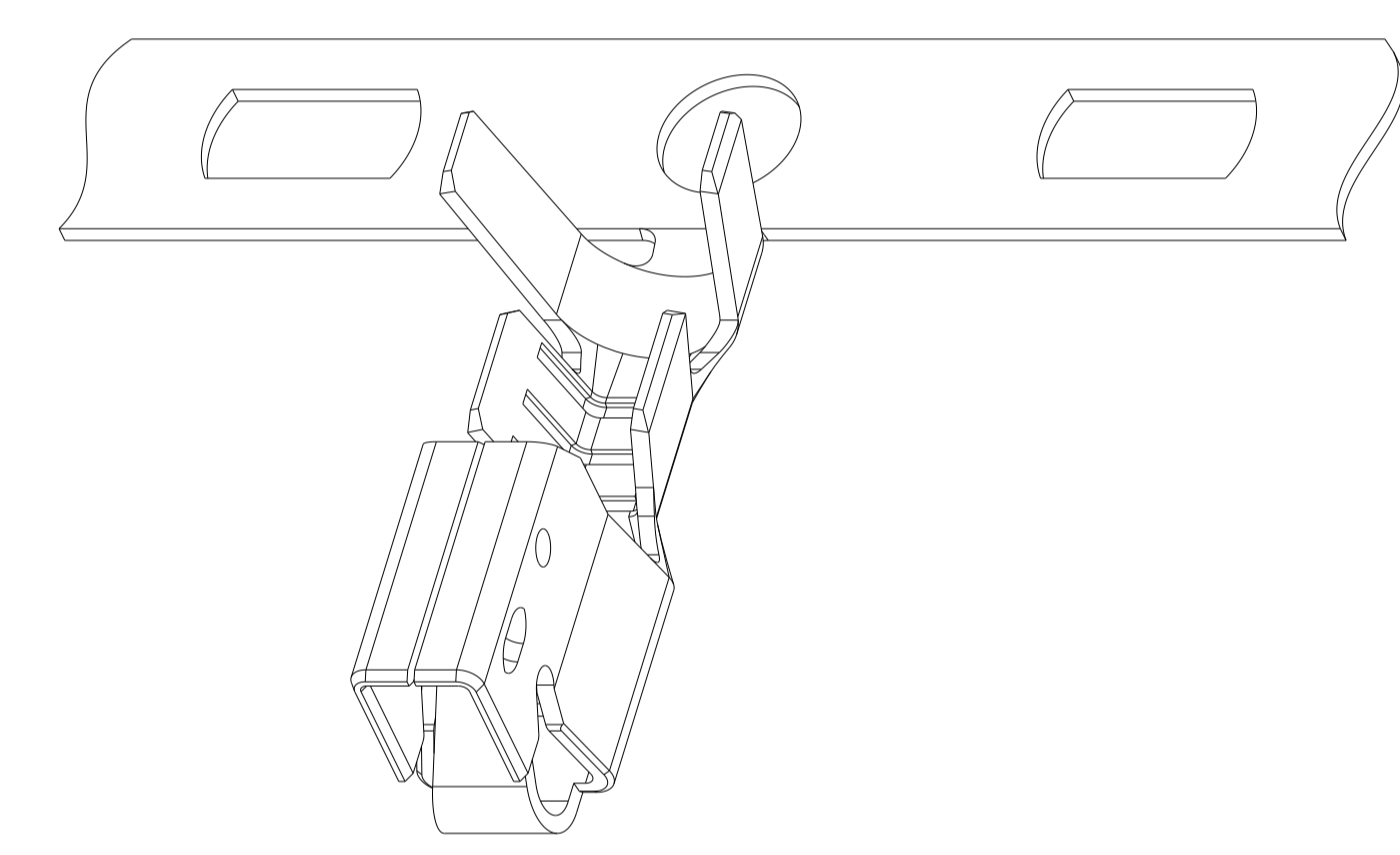


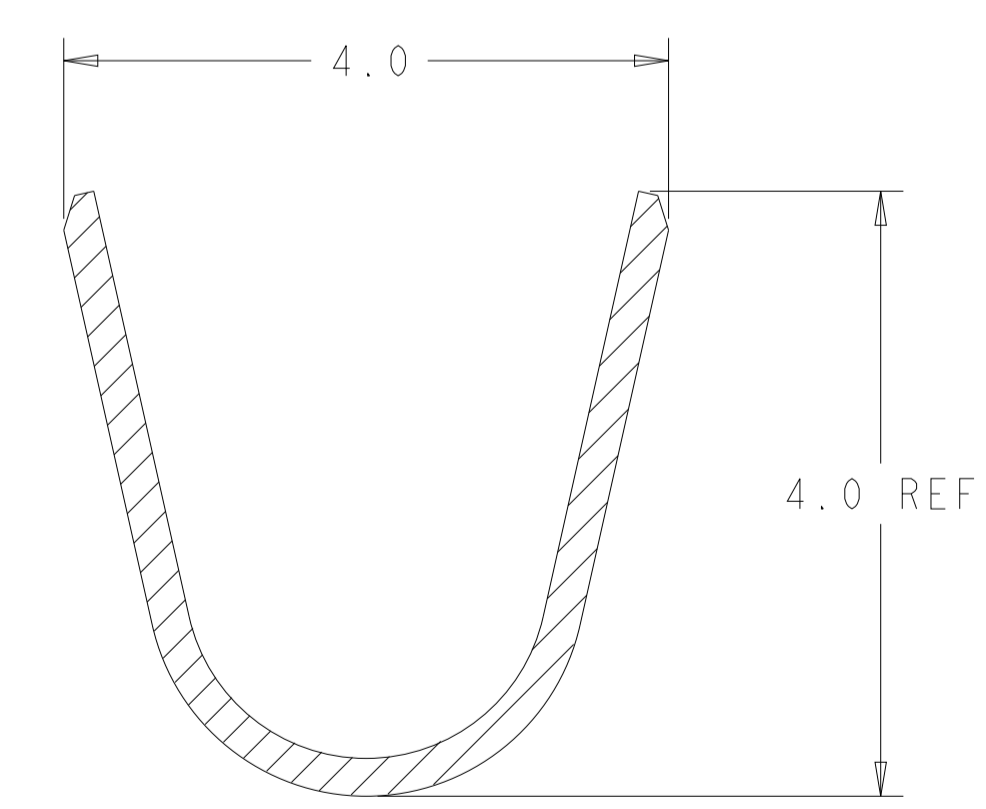
REVISIONS				
P	LTN	DESCRIPTION	DATE	APVD
A		REVISED PER ECN-21-111388	02AUG2021	W. H. D. Z
A1		REVISED PER ECR-23-165122	24FEB2023	N. H. L. C



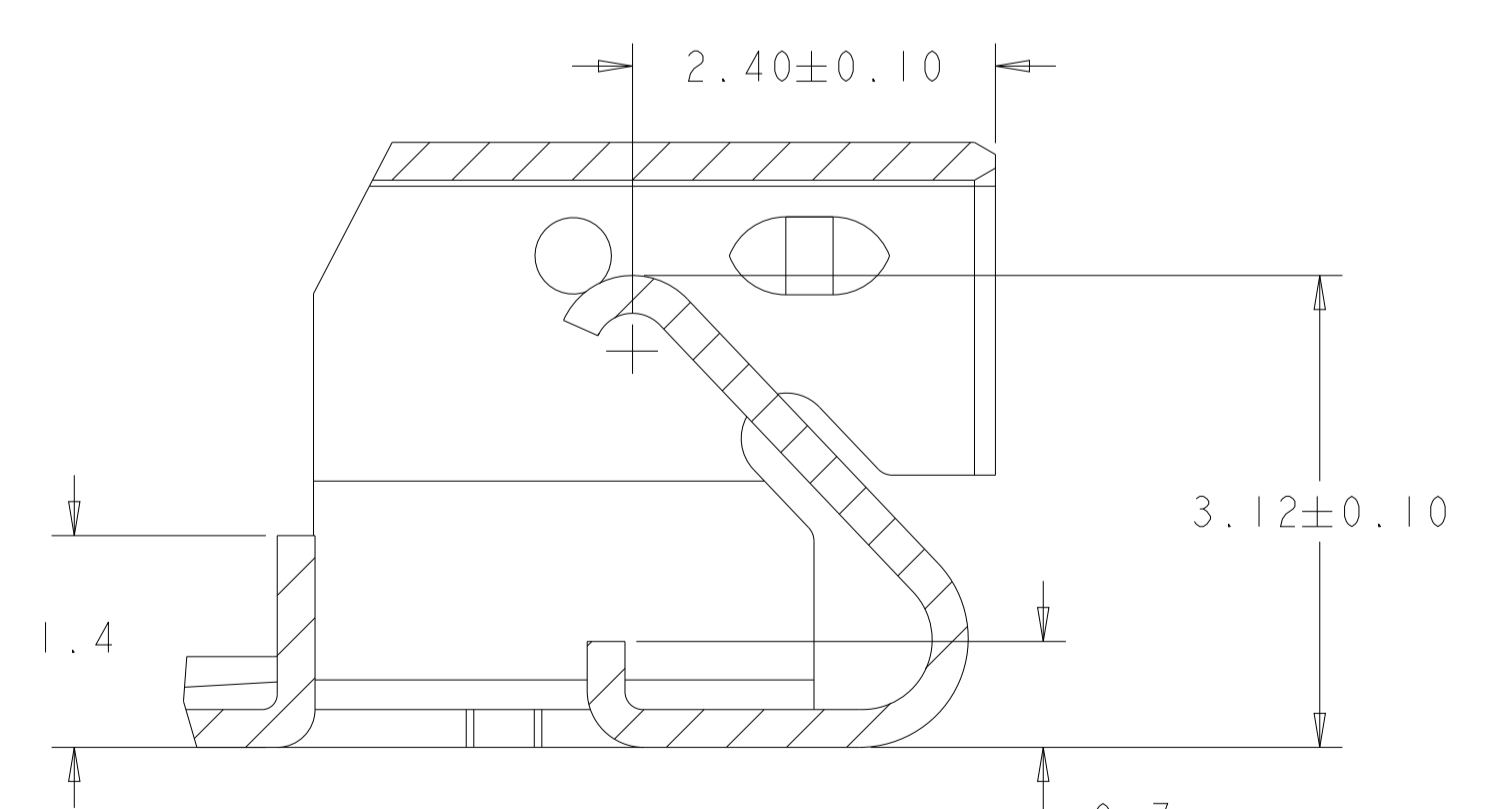
- ⚠ MATERIAL: PHOSPHOR BRONZE  
FINISH: PRE-TIN
- 2. RECOMMENDED MATING PARTS: [ ]-2371377-[ ] OR [ ]-2377130-[ ].
- ⚠ CONTACTS COATED WITH ANTI-FRETTING LUBRICANT.
- 4. PACKAGING: ON REEL
- 5. REFERENCE CRIMP INFORMATION:  
WIRE RANGE: 22-18 AWG [0.30-0.89MM<sup>2</sup>].  
WIRE INSULATION RANGE: 1.70-2.90MM DIA.
- ⚠ THIS PRODUCT HAS NOT COMPLETED VALIDATION TESTING



SECTION A-A  
SCALE 20:1



SECTION B-B  
SCALE 20:1



SECTION C-C  
SCALE 20:1

⚠	2377991-1
LUBRICANT	PART NUMBER

THIS DRAWING IS A CONTROLLED DOCUMENT.		DWN W. HUO	01JUN2021		RECEPTACLE CONTACT, LANCE-LESS 18-22AWG, ECONOMY POWER II
DIMENSIONS: MM		CHK D. ZHANG	03JUN2021		
TOLERANCES UNLESS OTHERWISE SPECIFIED:		APVD D. ZHANG	03JUN2021		
0 PLC ± 1 PLC ±0.25 2 PLC ±0.20 3 PLC ± 4 PLC ± ANGLES ±°		NAME	108-2297		
MATERIAL		PRODUCT SPEC	114-13265	SIZE	114-13265
FINISH		APPLICATION SPEC	114-13265	CAGE CODE	00779
⚠		WEIGHT	-	DRAWING NO	2377991
⚠		CUSTOMER DRAWING	SCALE	N/A	SHEET 1 OF 1